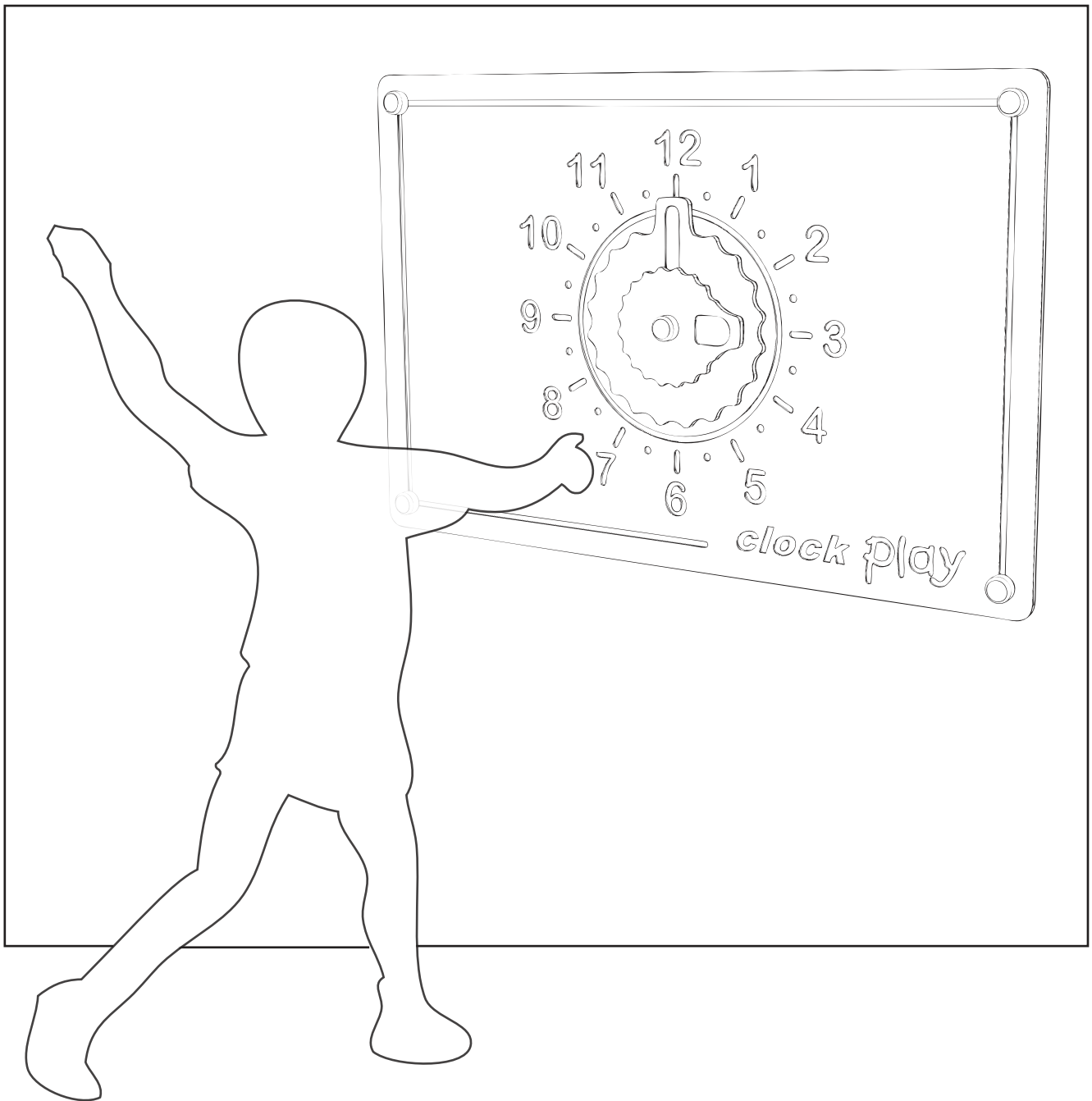


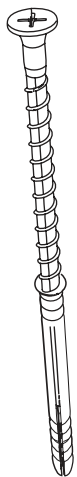
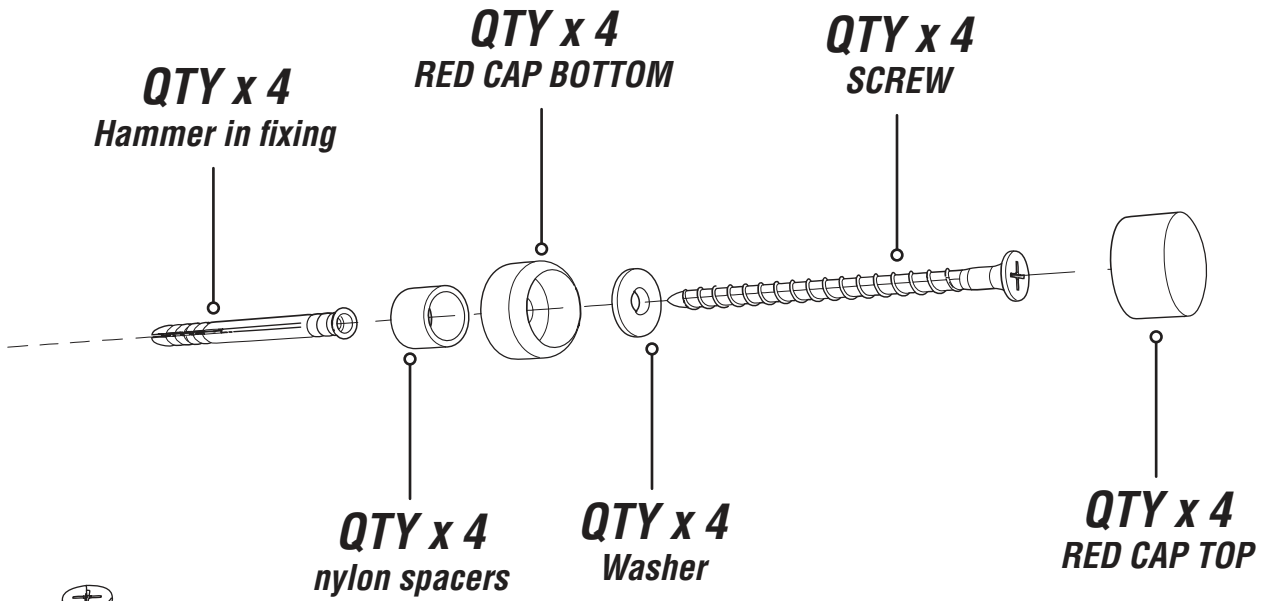
# **WALL CLOCK**

## ***Installation Instructions***

**creative  
play**

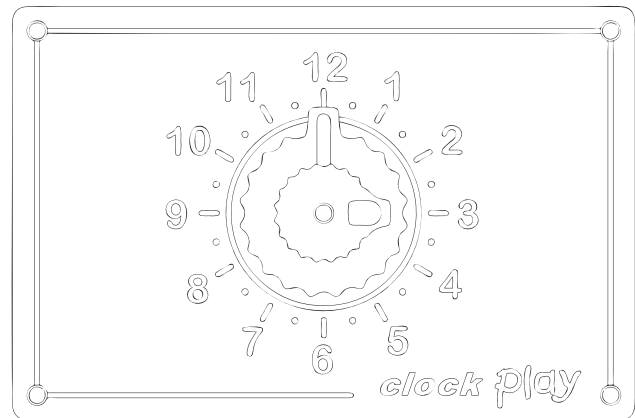


# PARTS required



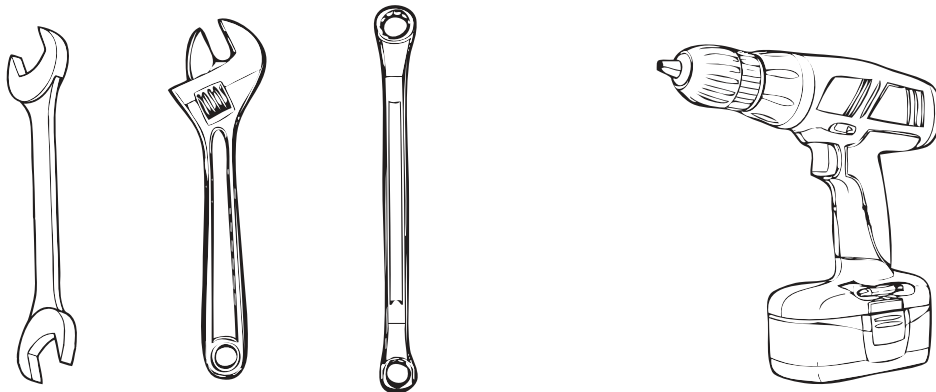
## NOTES:

The Hammer in fixing includes the screw



x1 Clock board

# TOOLS required



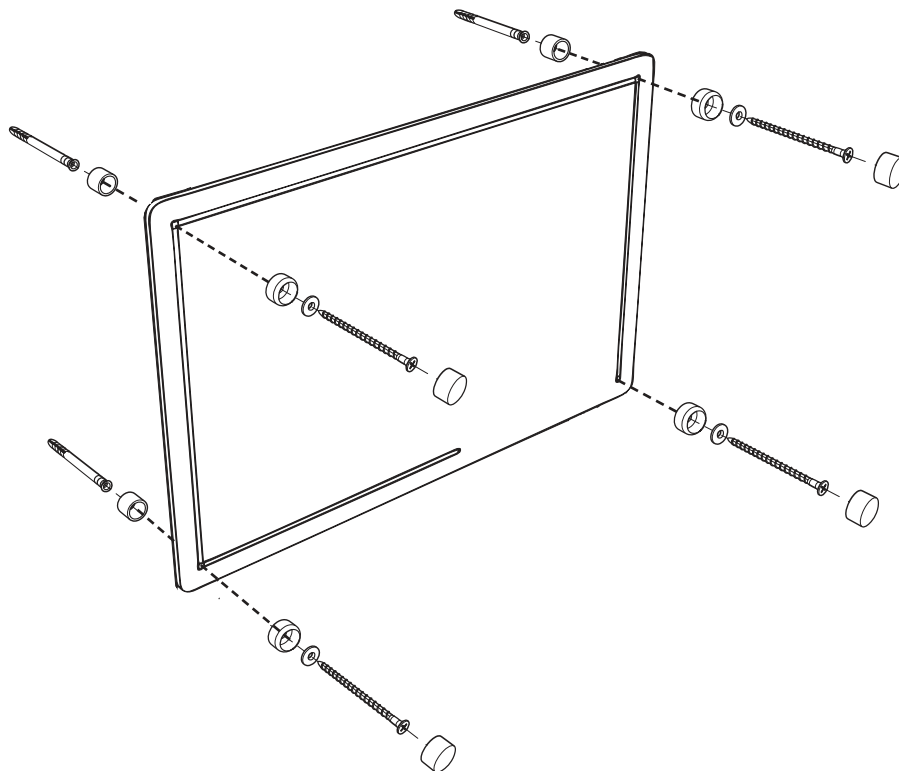
# Installation Instructions

---

**1**

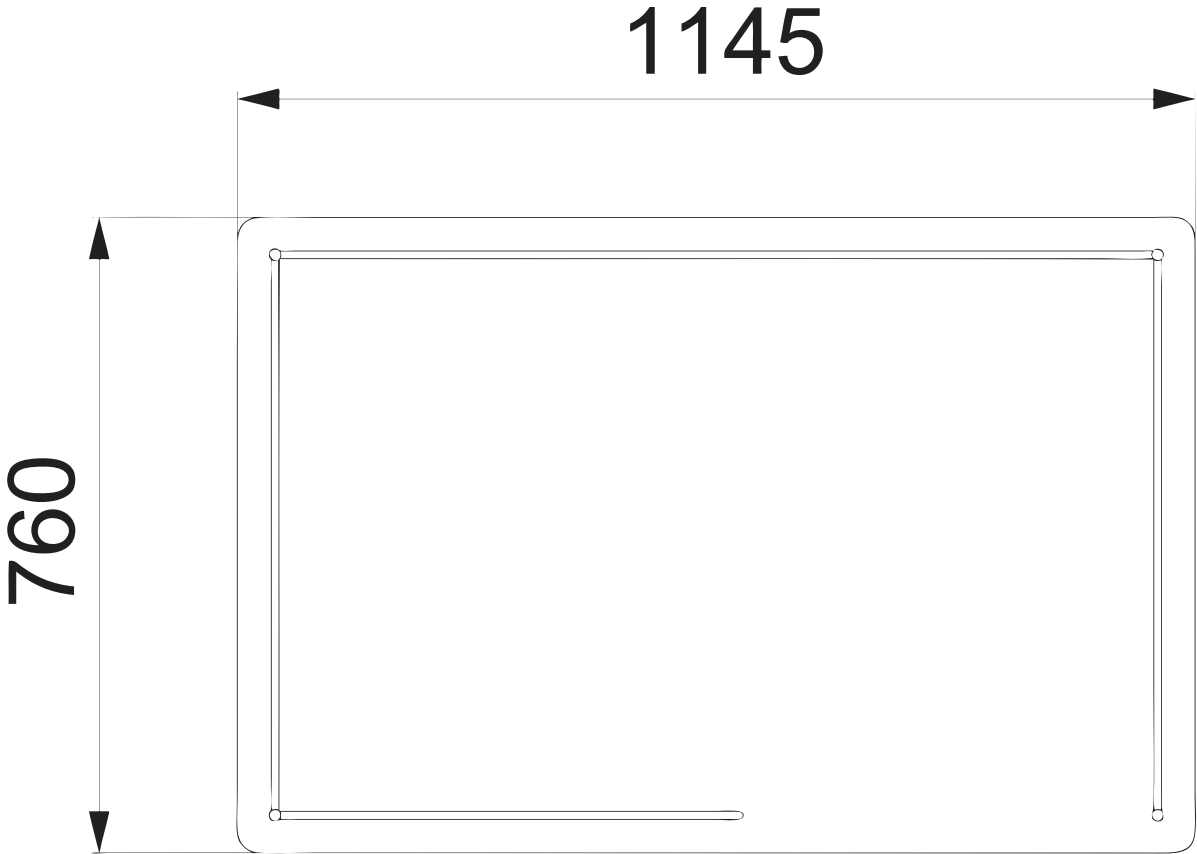
## Attach the **CLOCK BOARD** to the **WALL**

Using **M12 CUP HAMMER IN FIXING / SPACERS / SCREWS / END CAPS**



# ***Additional Dimensions***

---



# OPTION for POSTS

## PARTS required



**x4** (M12 120 cup square hex)



**PB1** QTY x 2  
(90mm x 90mm)



**x4** (M12 Nylocs)



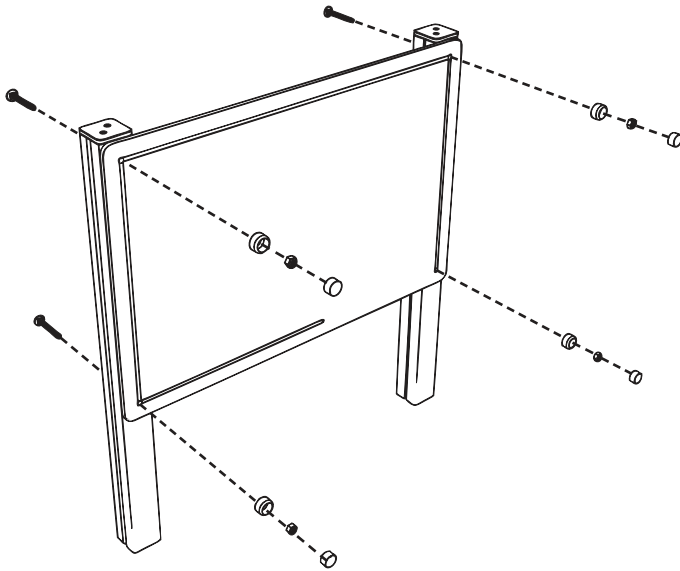
**x4** (End Caps)

## Installation Instructions

**1**

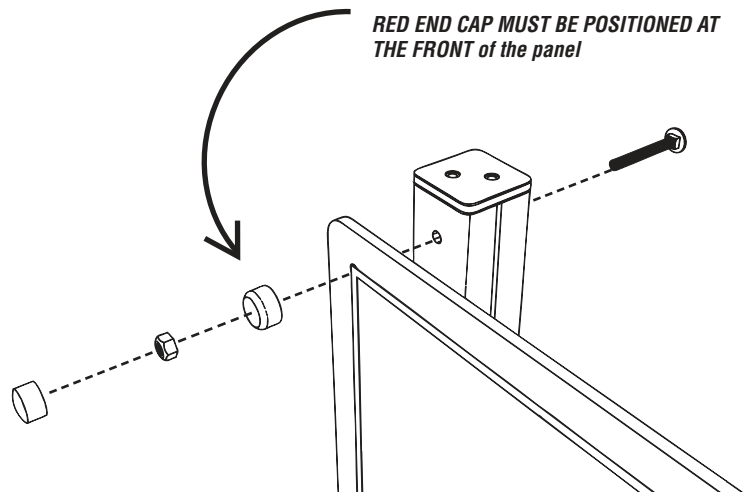
**Attach the CLOCK BOARD to the PB1 timbers**

Using M12 CUP SQUARE BOLTS / NYLOCS / END CAPS

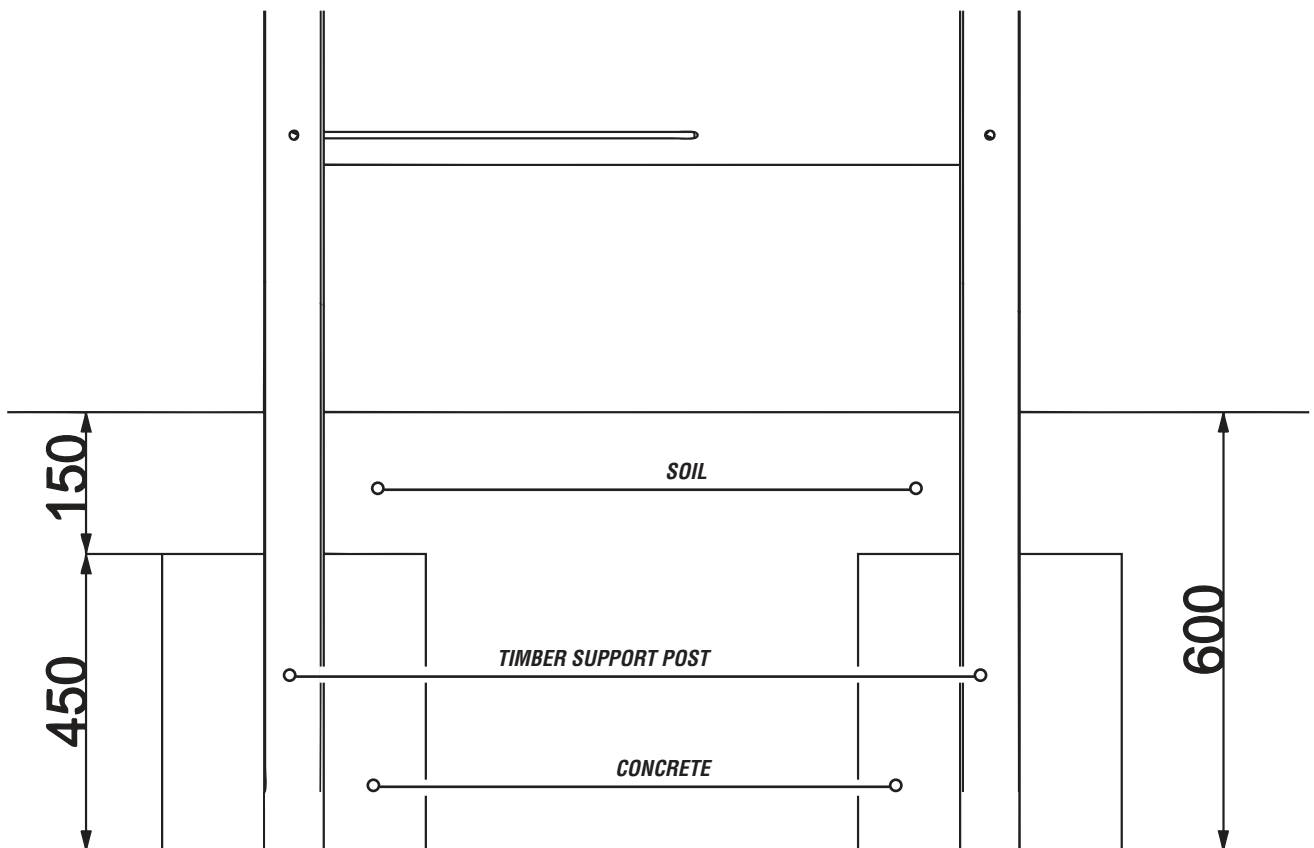
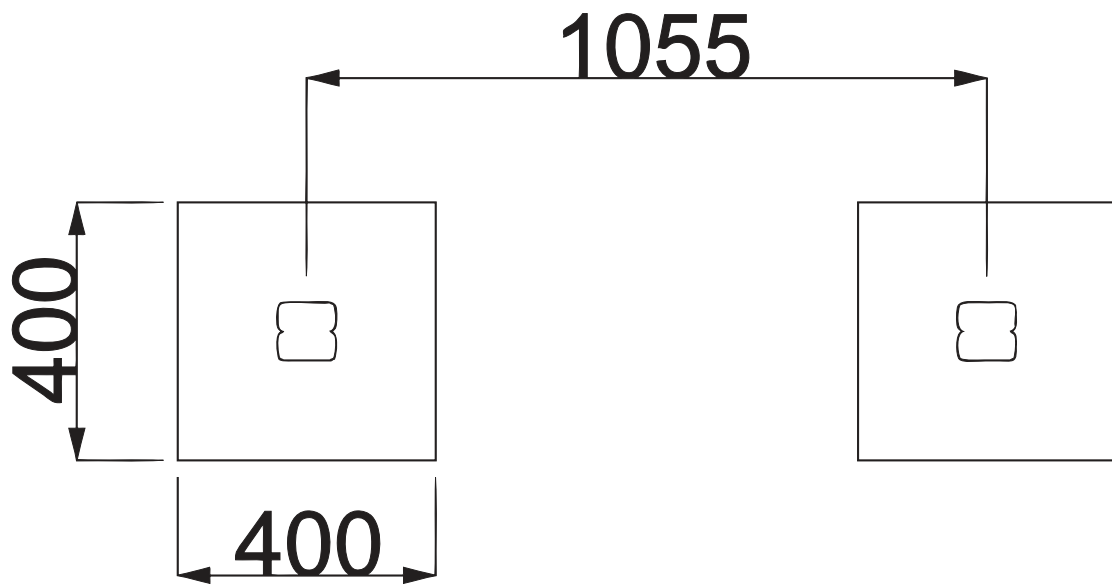


### NOTES:

RED END CAP MUST BE POSITIONED AT THE FRONT of the panel



# Foundation Details



# Additional Dimensions

---

