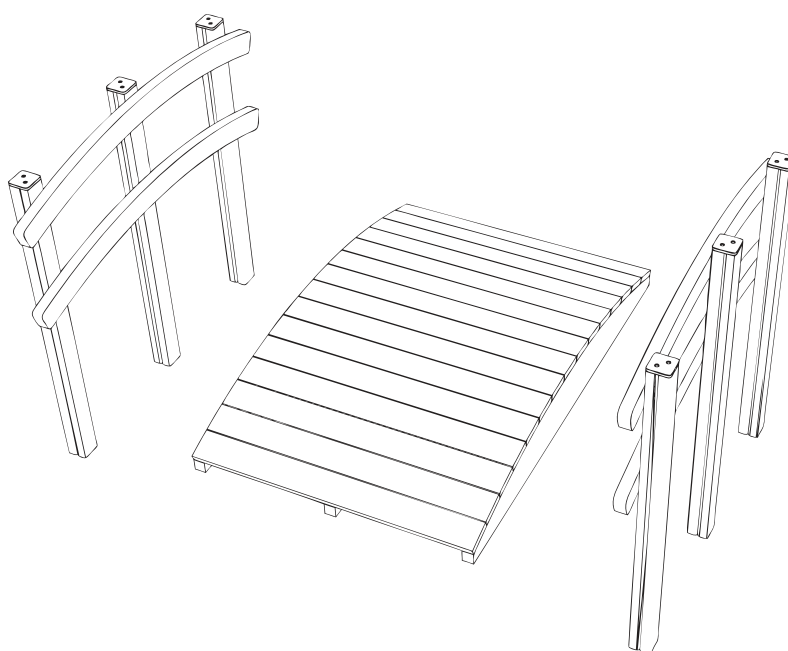
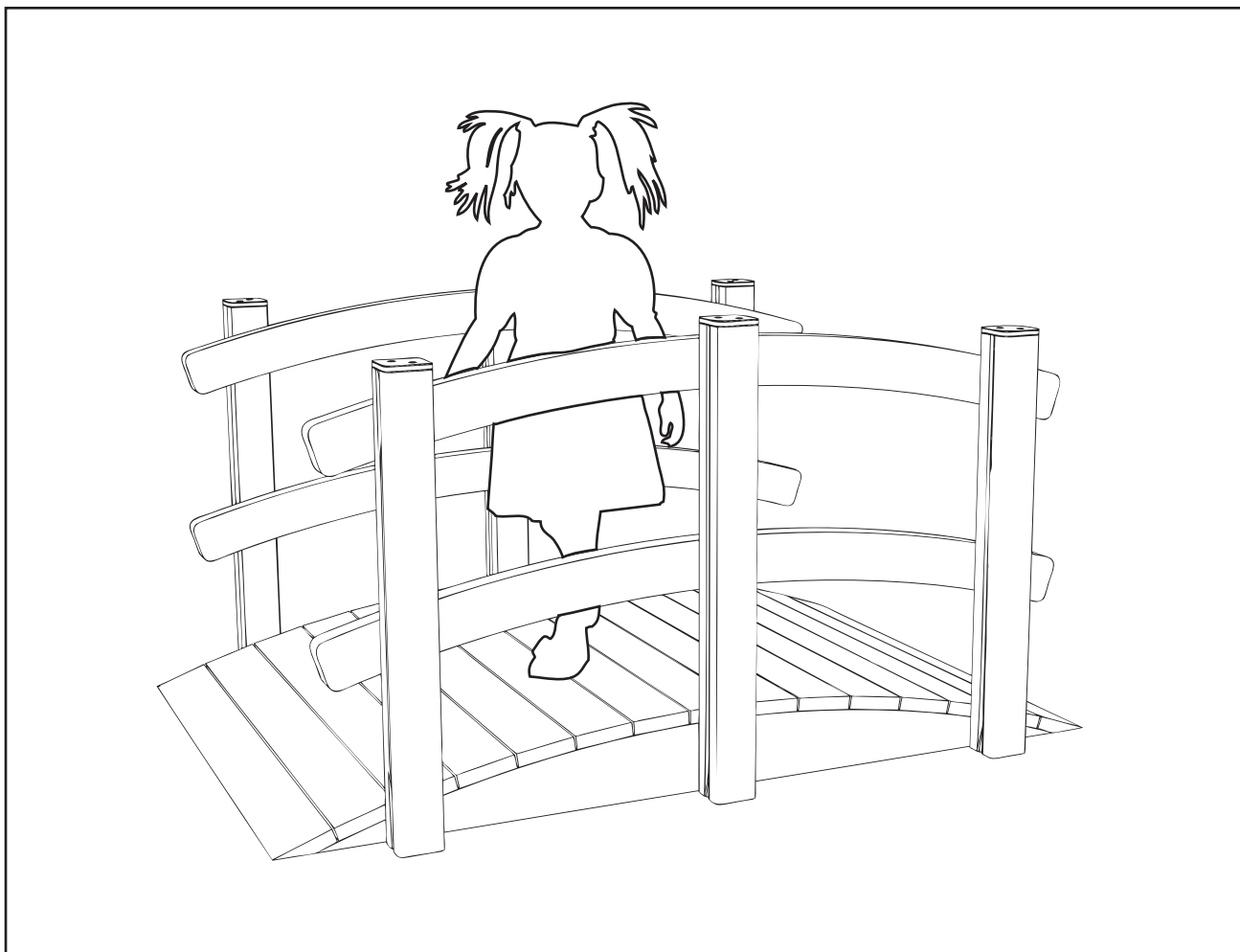


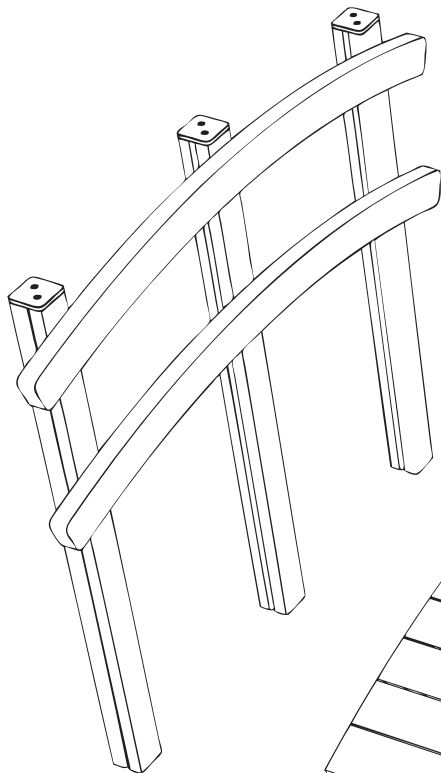
TIMBER BRIDGE

Installation Instructions

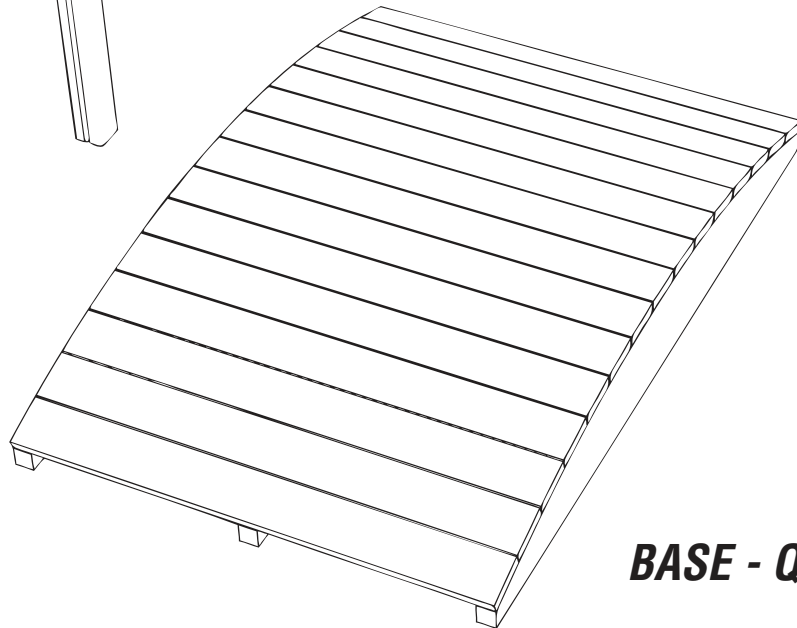
**creative
play**



PARTS required



SIDE ASSEMBLY - QTY 2

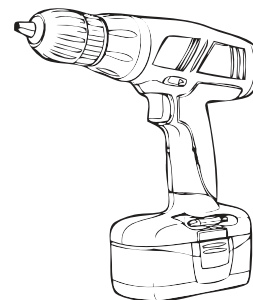
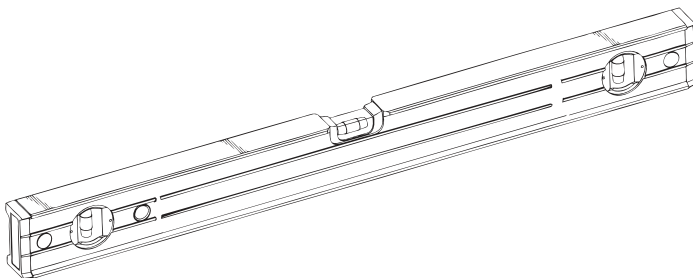


BASE - QTY 1

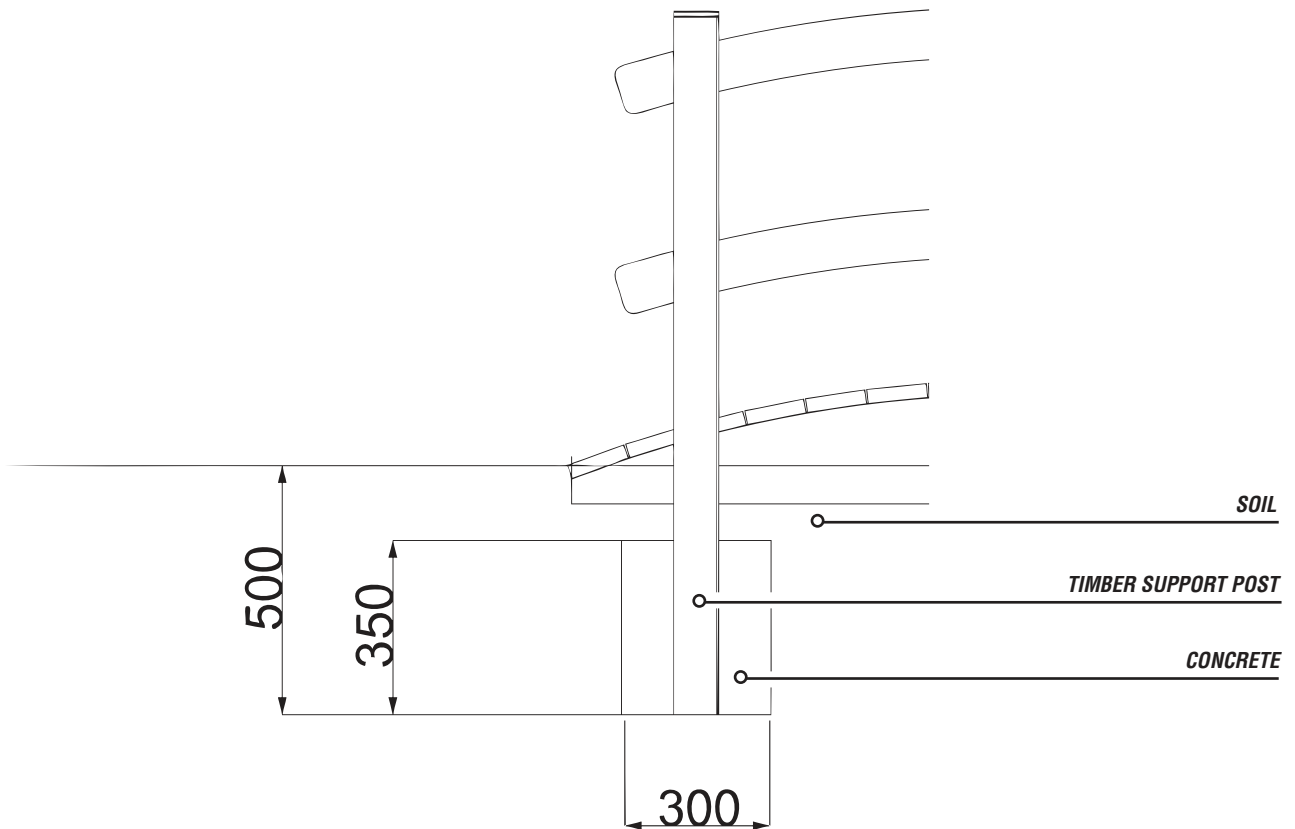
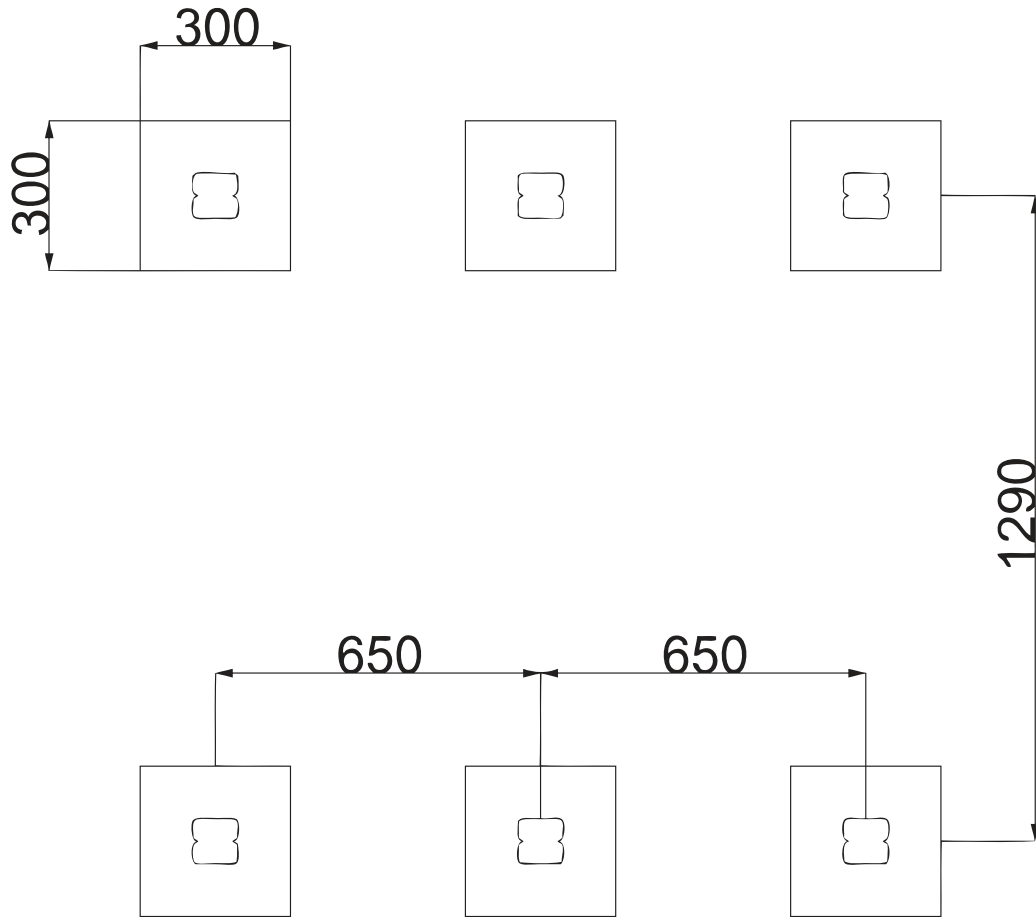
x20 (120mm brass screws)



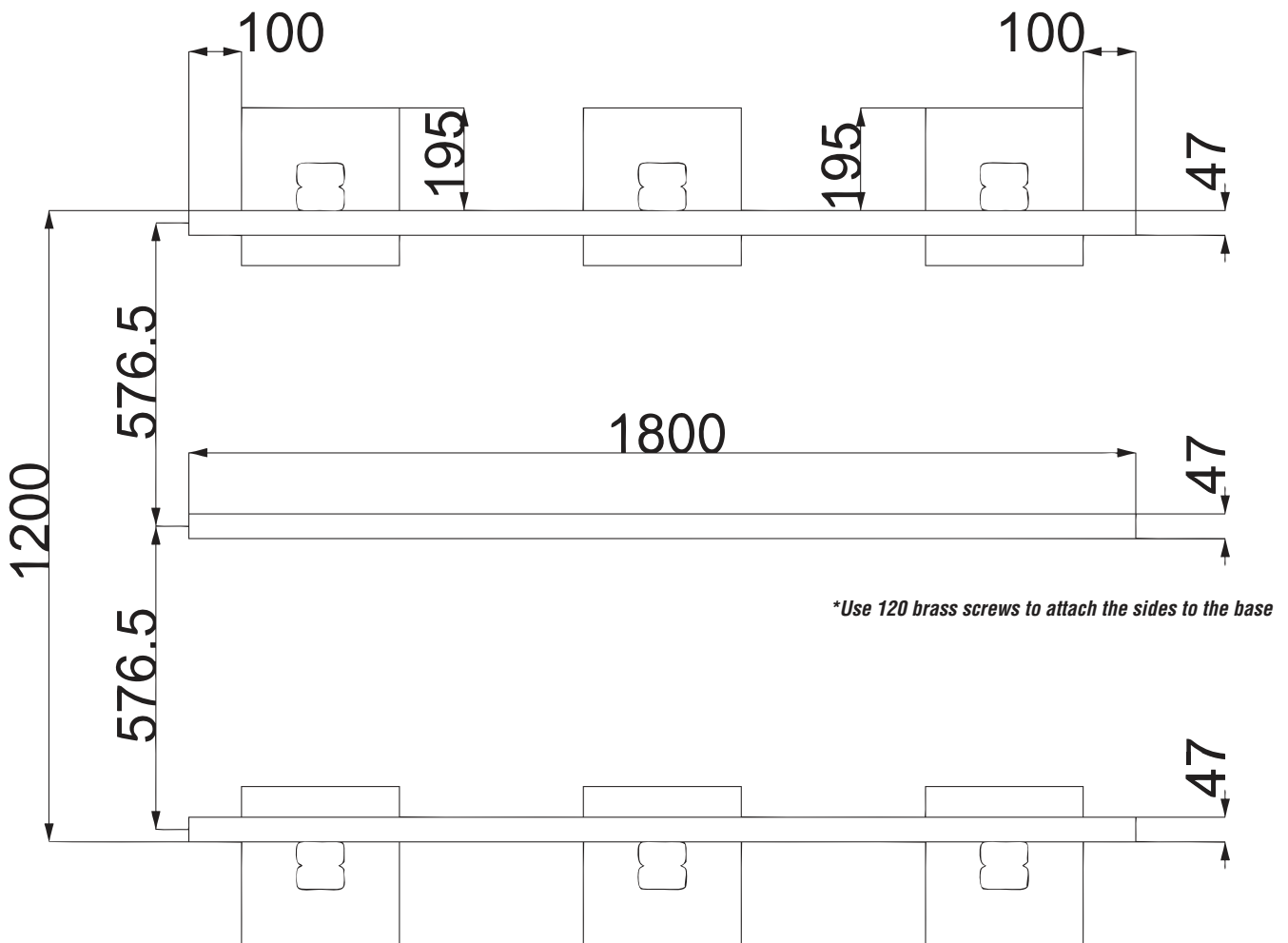
TOOLS required



Foundation Details



Foundation Details - additional



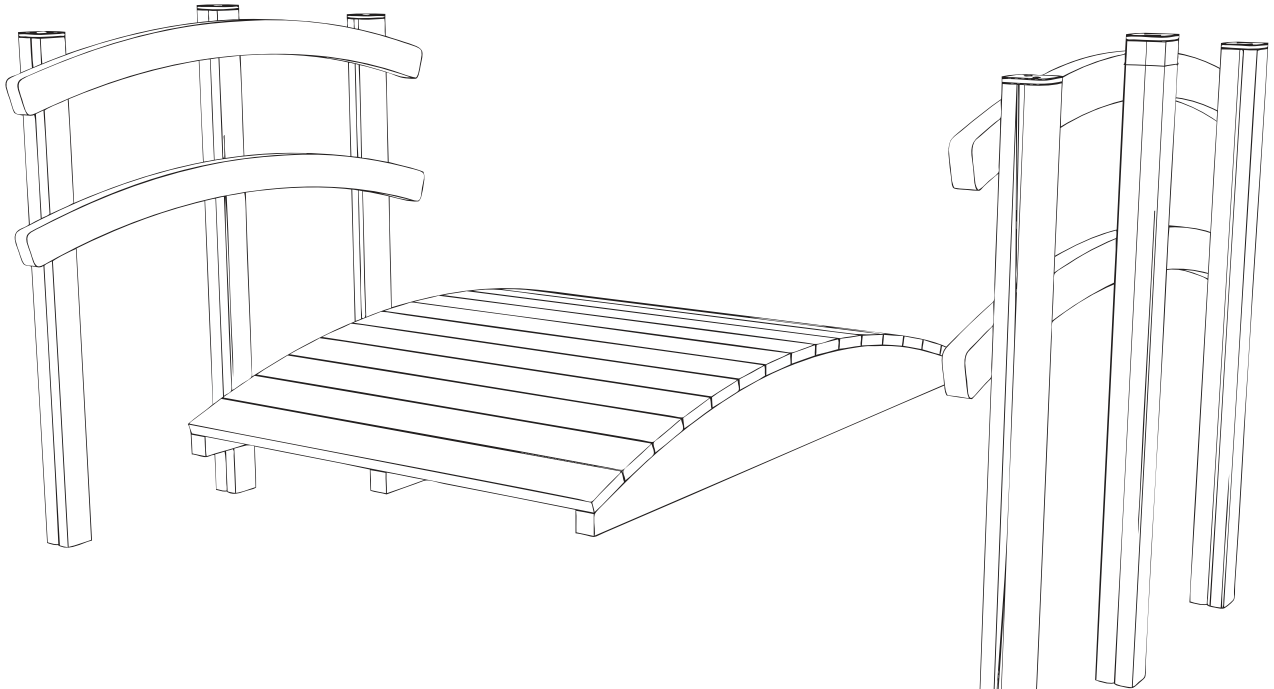
In addition to POST HOLES - 3 x trenches will be required (as shown above) 77mm DEEP to accommodate the 3 x BASE supports which need to be installed into the ground

Assembly Instructions

1

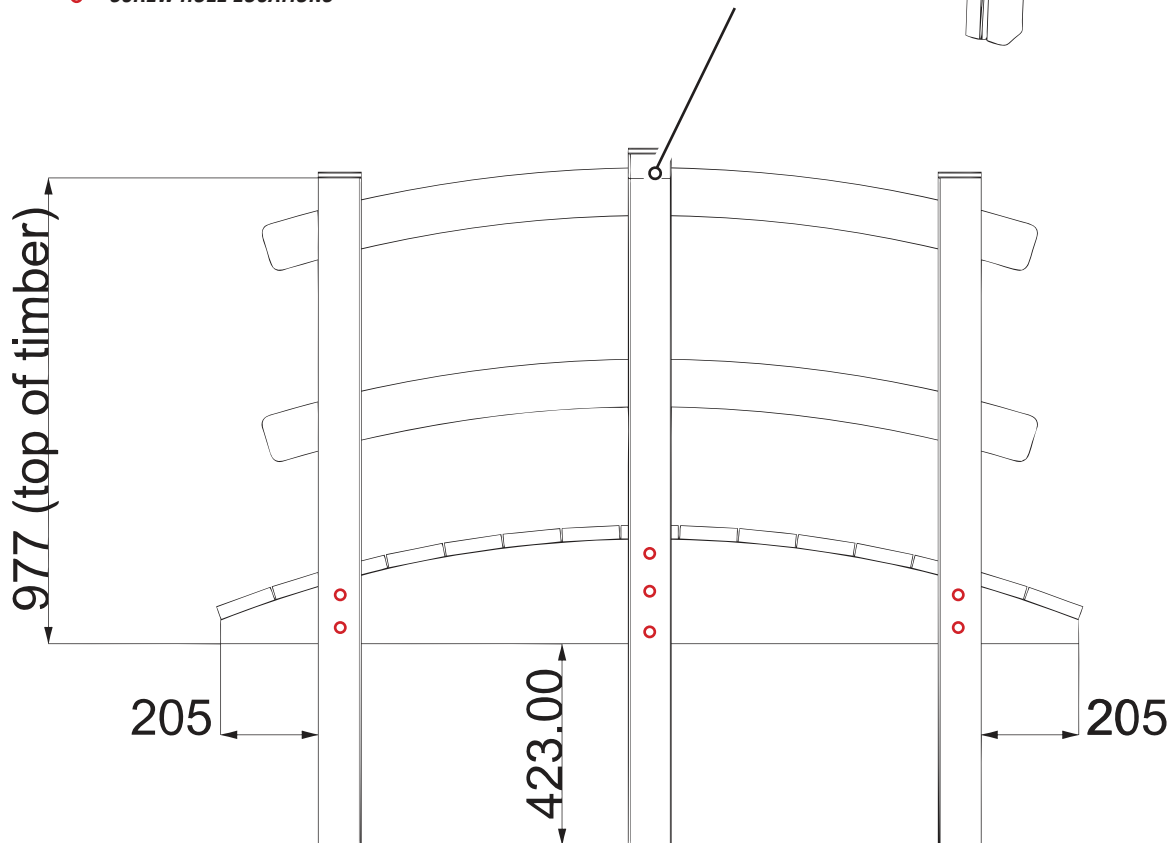
Attach the 2 x sides to the BASE

Using 120mm brass screws to attach the sides to the base



○ = SCREW HOLE LOCATIONS

POSITIONED IN THE CENTRE

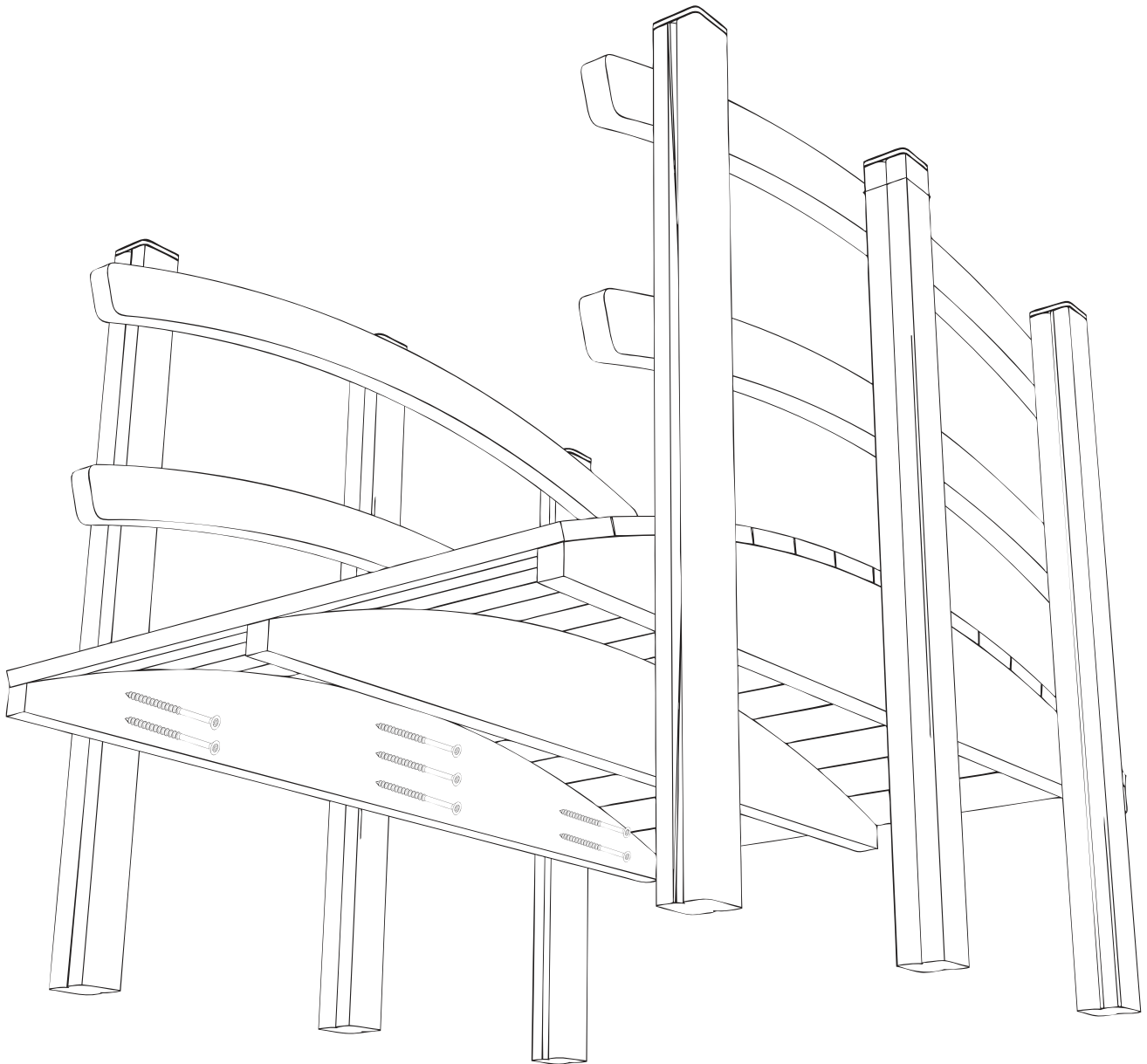


Assembly Instructions

2

Screw the sides to the base from the *INSIDE*

As shown below



3

Concrete the *ASSEMBLED BRIDGE* into the ground

Following the foundation details