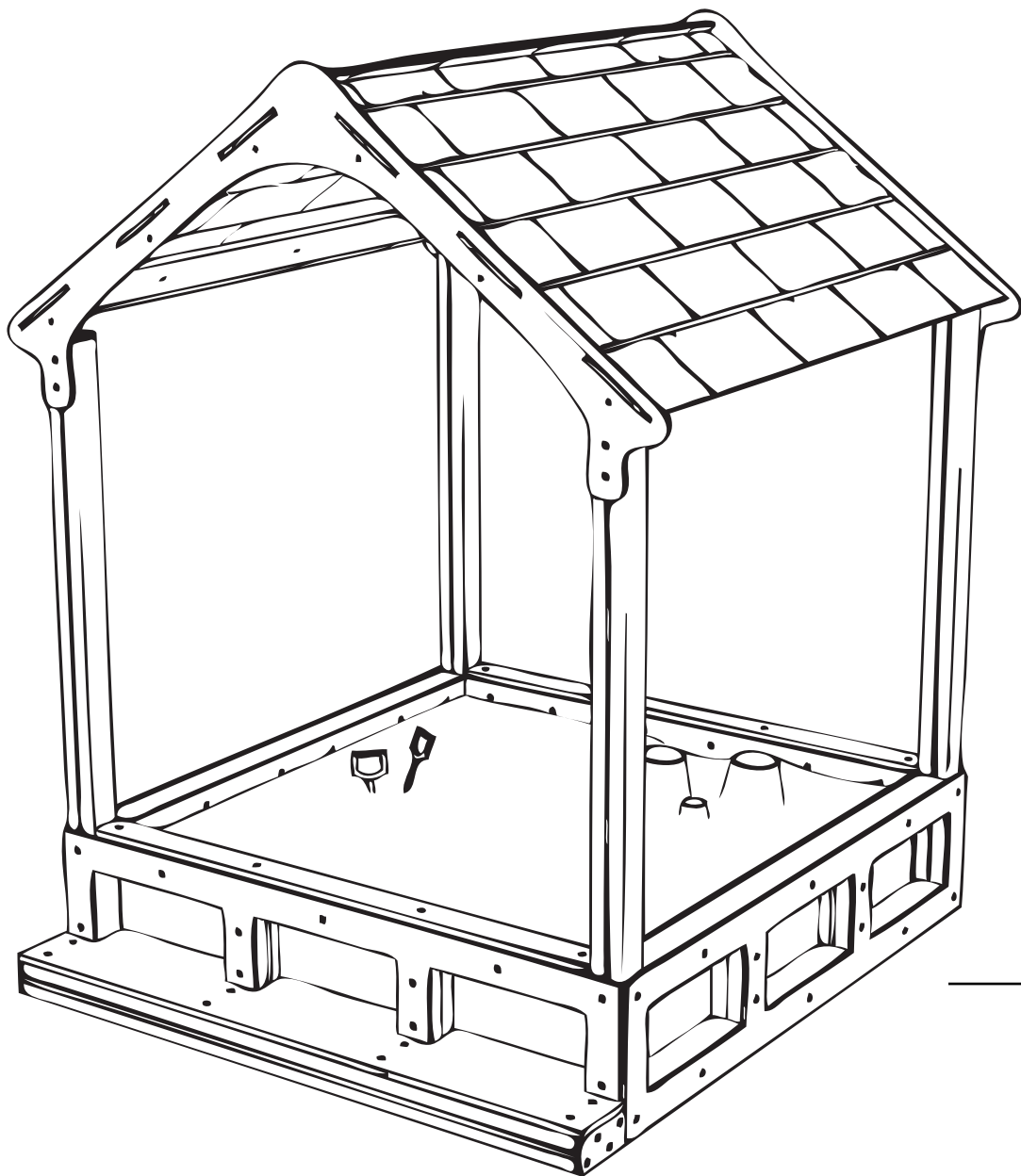


# **SANDHUT MAJOR**

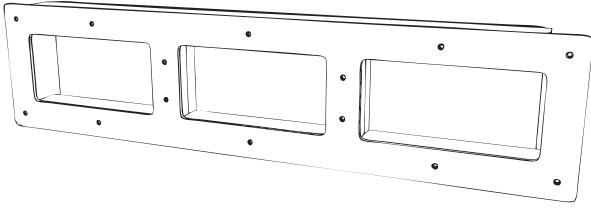
## ***Installation Instructions***

**creative  
play**

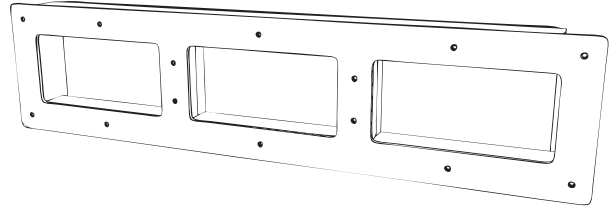


# ***PARTS required***

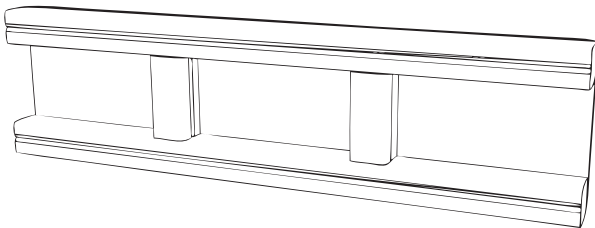
---



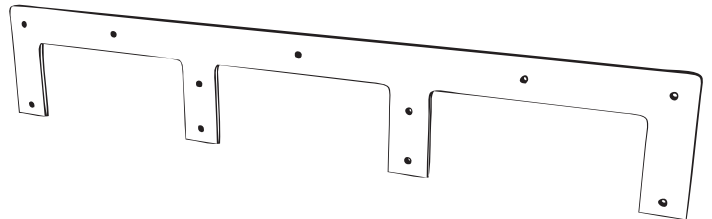
***x2*** (PRE-ASSEMBLED SIDE A)



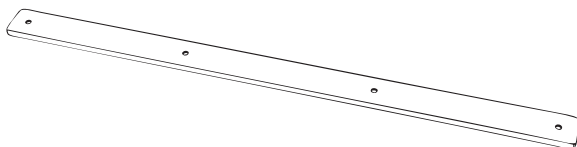
***x1*** (PRE-ASSEMBLED SIDE B)



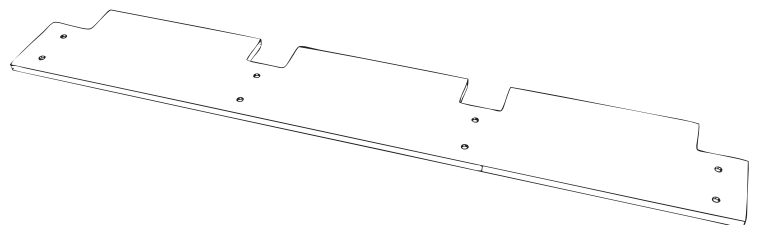
***x1*** (PRE-ASSEMBLED SIDE C)



***x1*** (PLAYTEC PANEL - SIDE C)



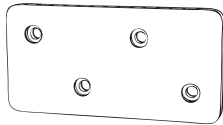
***x2*** (HEX SLATS)



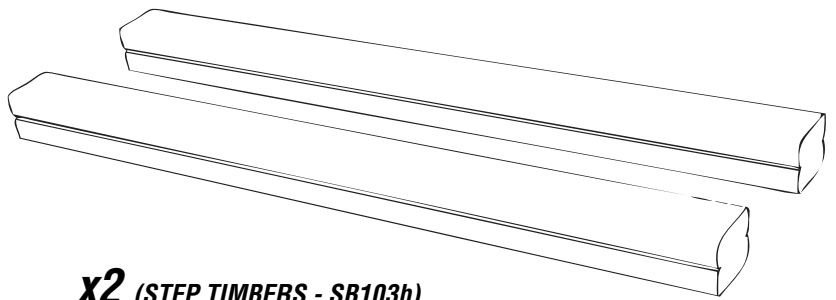
***x1*** (HEX STEP)

# ***PARTS required***

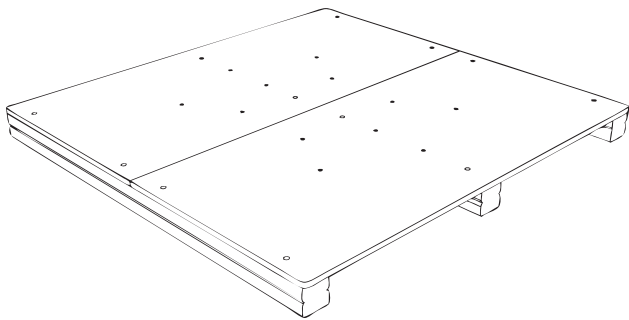
---



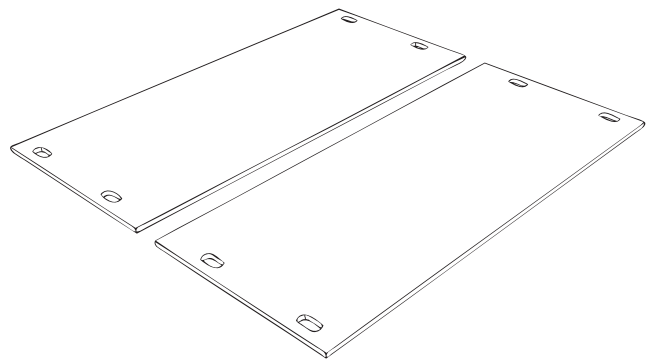
**X2** (STEP PLAYTEC CAPS)



**X2** (STEP TIMBERS - SB103b)



**X1** (PRE-ASSEMBLED FLOOR)



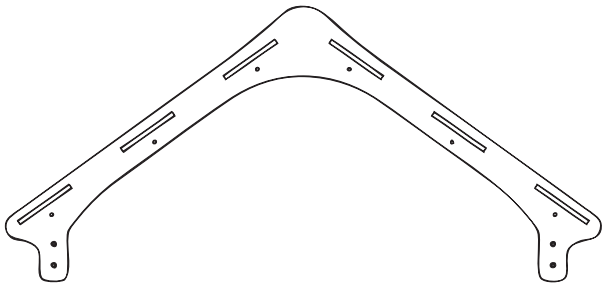
**X2** (HEX LID - 2 SIDES)



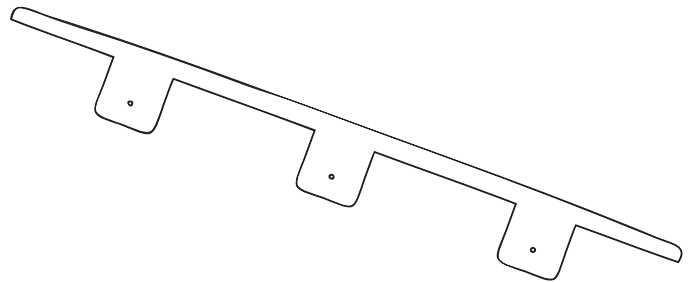
**X6** (FM180 'Brass screws')

**X47** (FM80 'Brass screws')

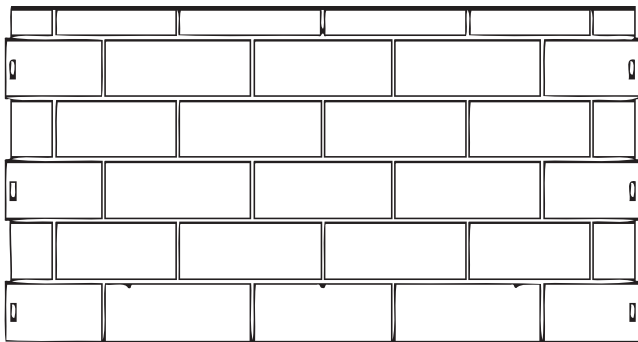
# ***PARTS required ( SANDHUT MAJOR ROOF )***



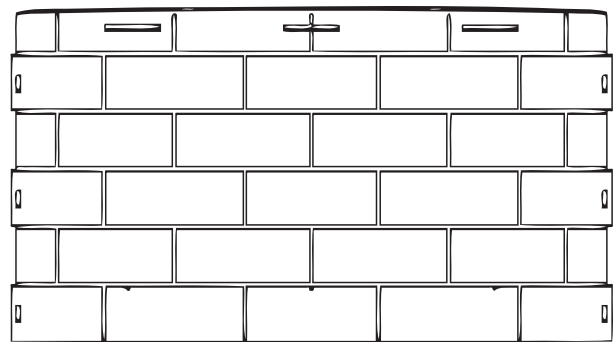
**x2** (SIDE ROOF)



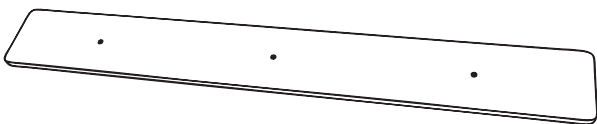
**x1** (TOP ROOF CLIP)



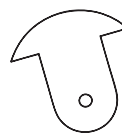
**x1** (FRONT ROOF)



**x1** (BACK ROOF)



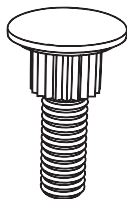
**x2** (HEX ROOF SUPPORT)



**x12** (ROOF CLIPS)



**x15** (N1 - TORKTAINER)  
**x 6** (N3 - TORKTAINER)



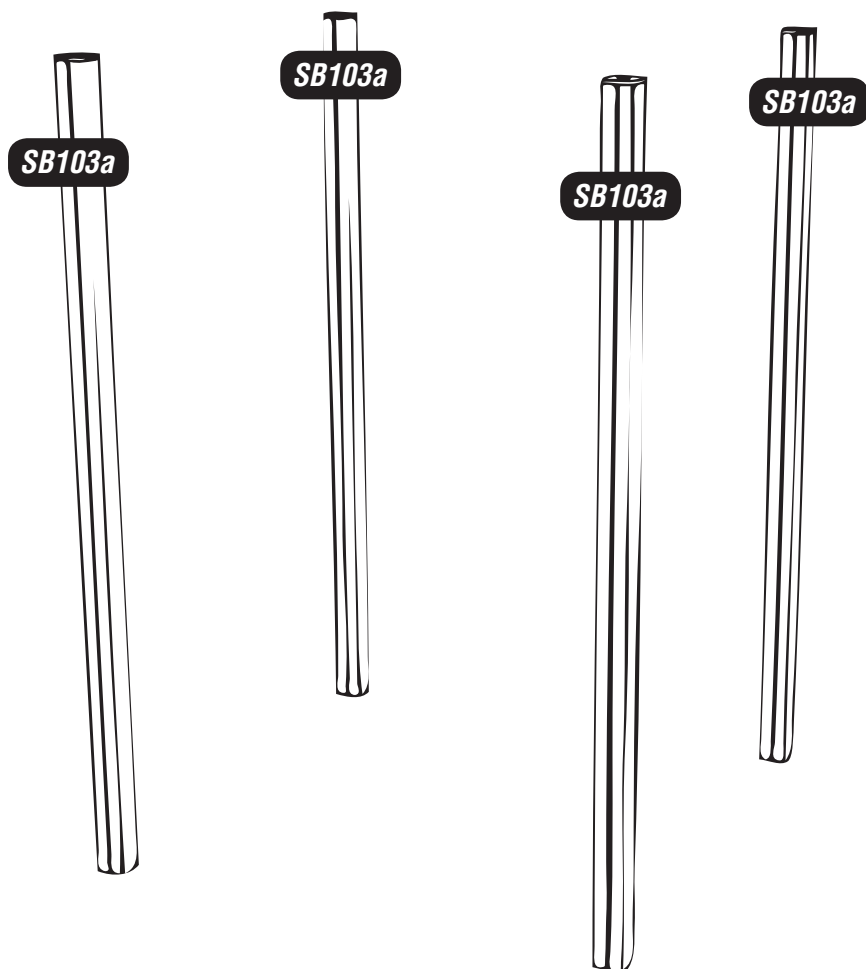
**x 21** (3B- TORKTAINER)



**x8** (FM80 ' Brass screws')

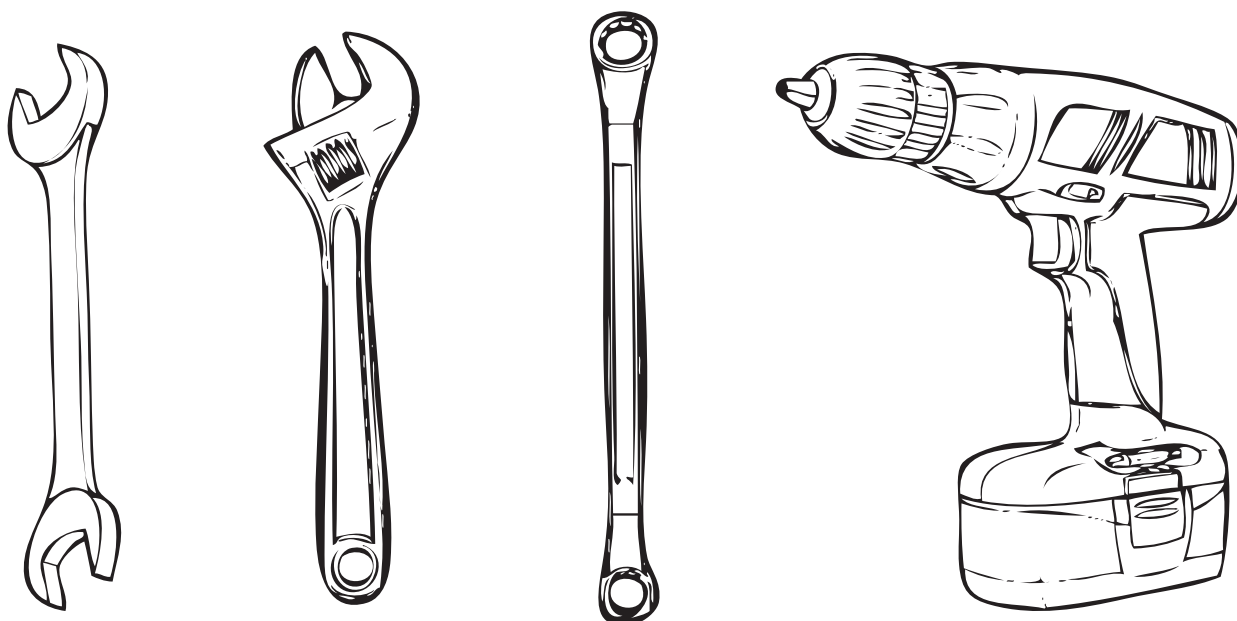
# TIMBERS required

---

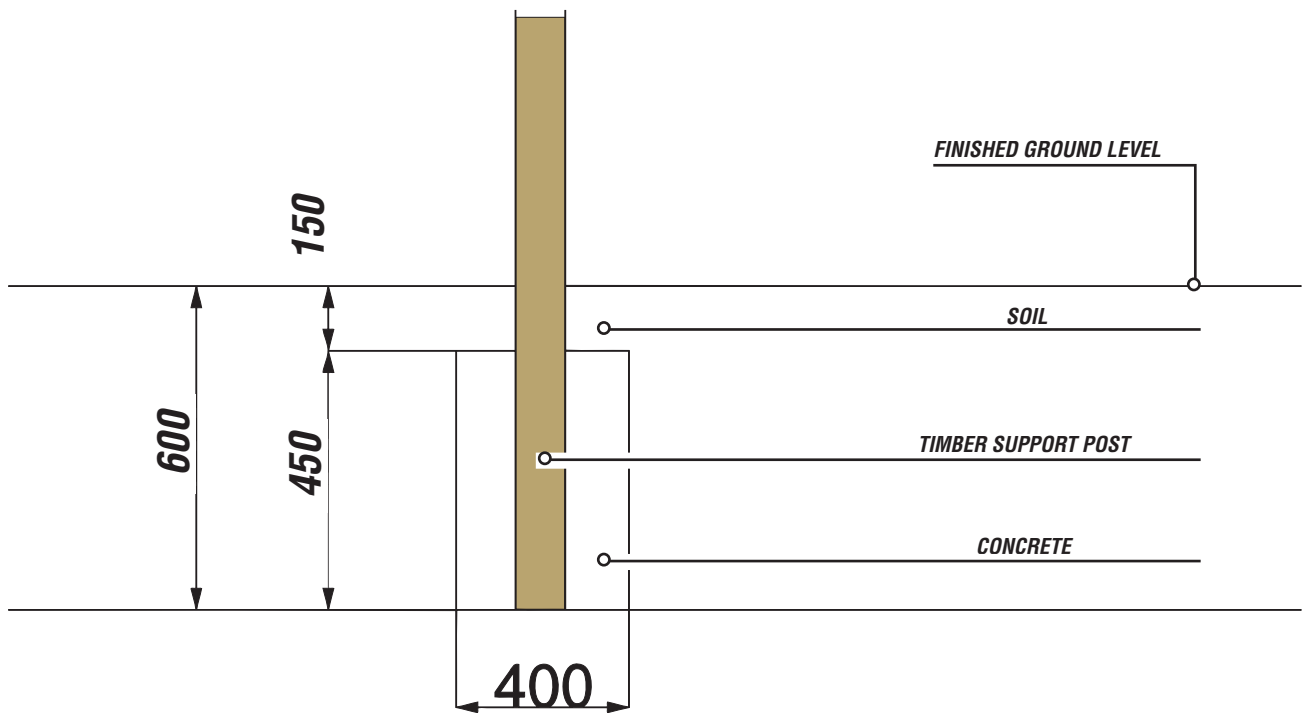
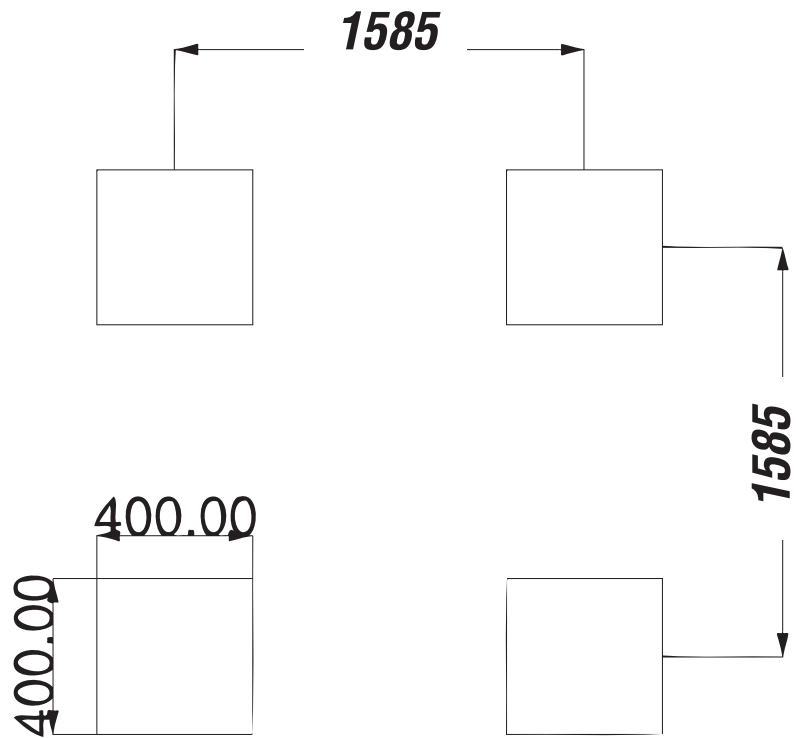


# TOOLS required

---



# Foundation Details

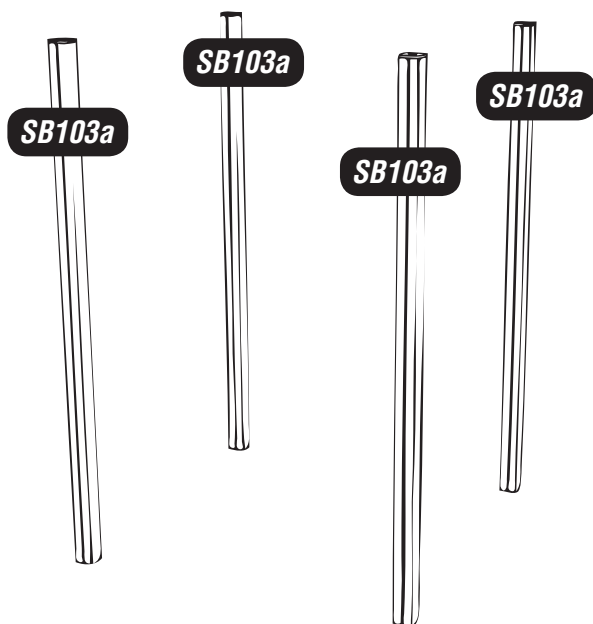


# Installation Instructions

1

## Install the timbers SB103a

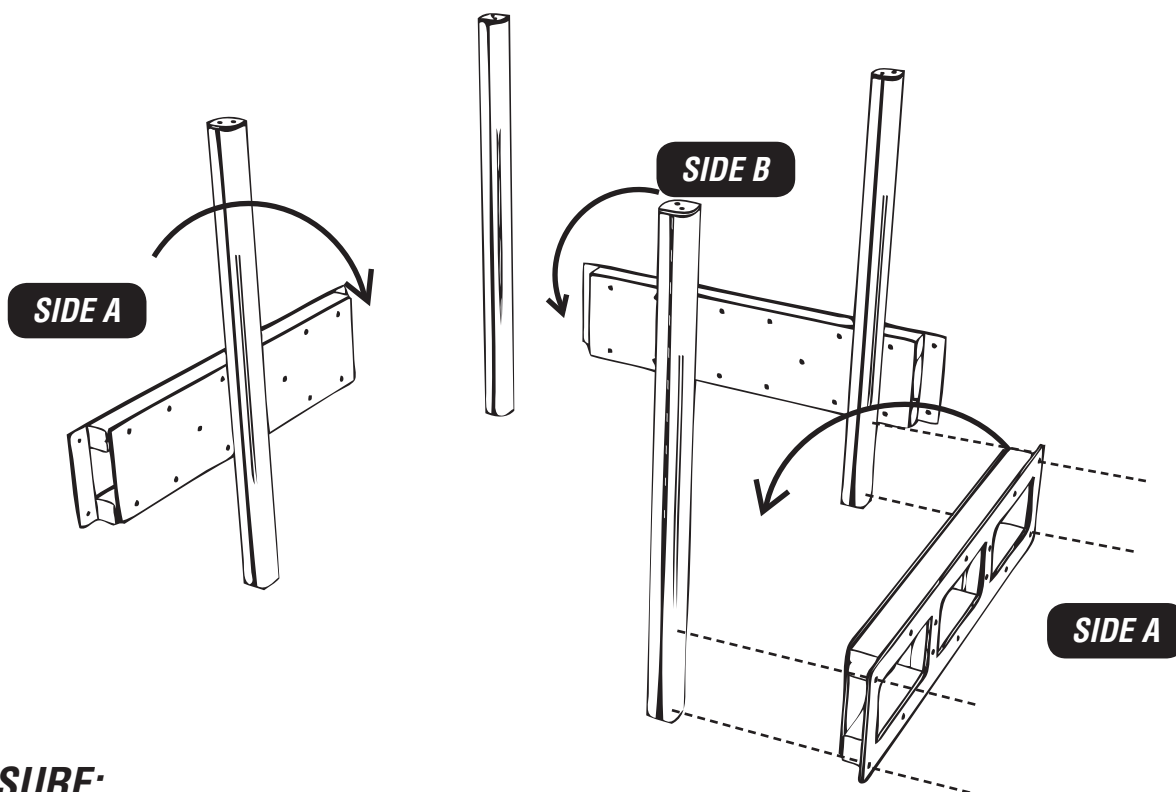
Follow foundation details



2

## Attach SIDES A AND B to UPRIGHTS

Using FM80 BRASS WOOD SCREWS



### **ENSURE:**

**EACH SIDE IS FLUSH WITH FLOOR - NO GAPS**

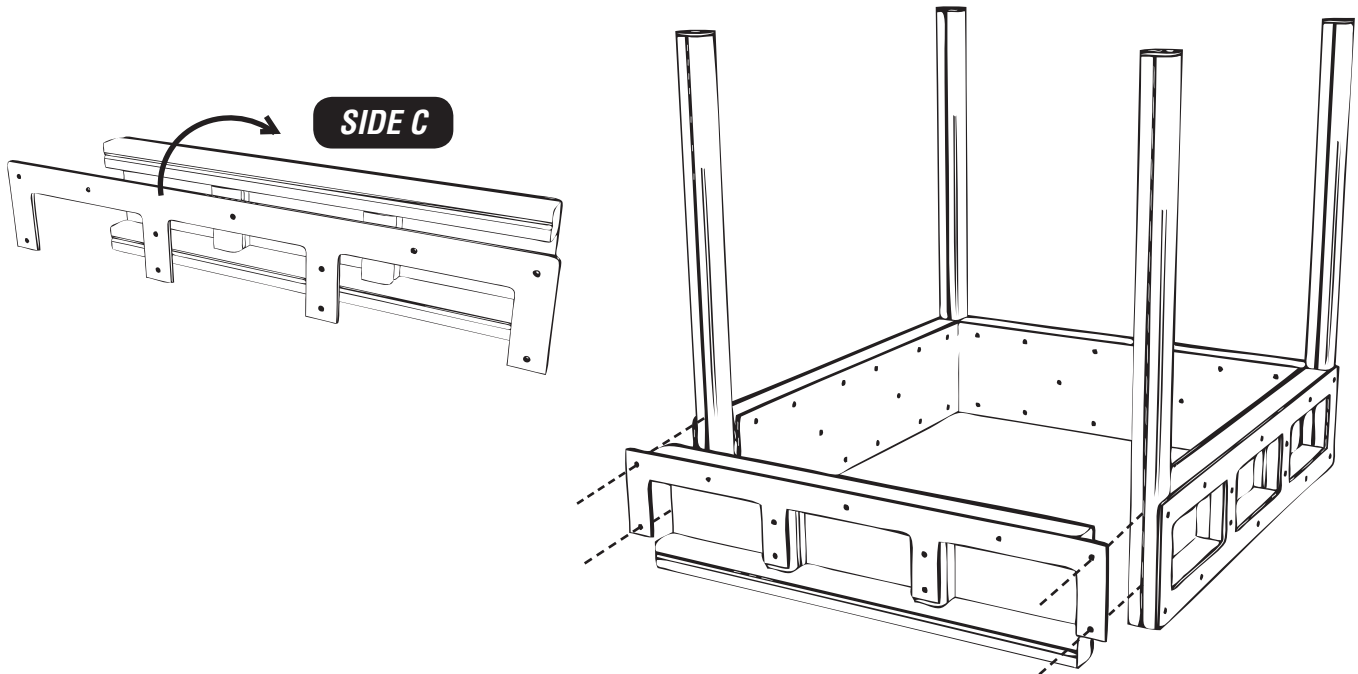
**ENSURE THAT THEY ARE ALL LEVEL WITH EACH OTHER ALSO**

# Installation Instructions

**3**

**Attach PLAYTEC PANEL to PRE-ASSEMBLED SIDE C and Attach TO UPRIGHTS - as step 2**

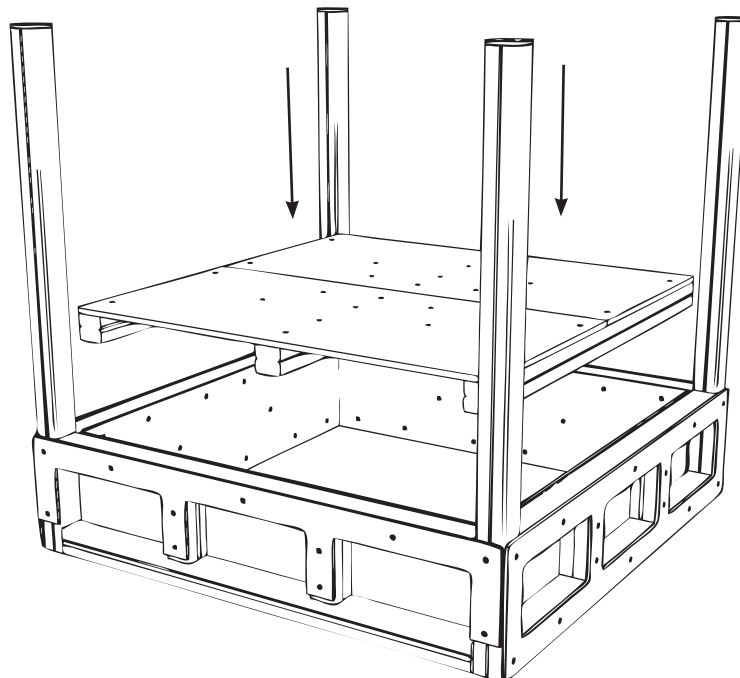
Using FM80 BRASS WOOD SCREWS



**4**

**INSERT PRE-ASSEMBLED FLOOR**

NO NEED TO FIX IN PLACE





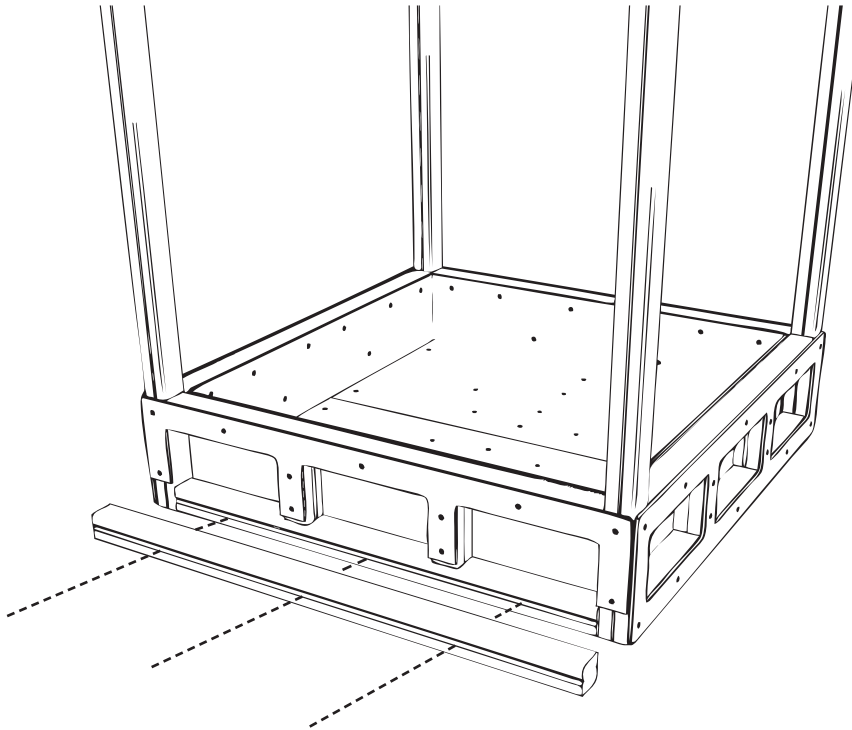
# Installation Instructions

---

**5**

## ATTACH 1 x STEP TIMBER TO MAIN STRUCTURE

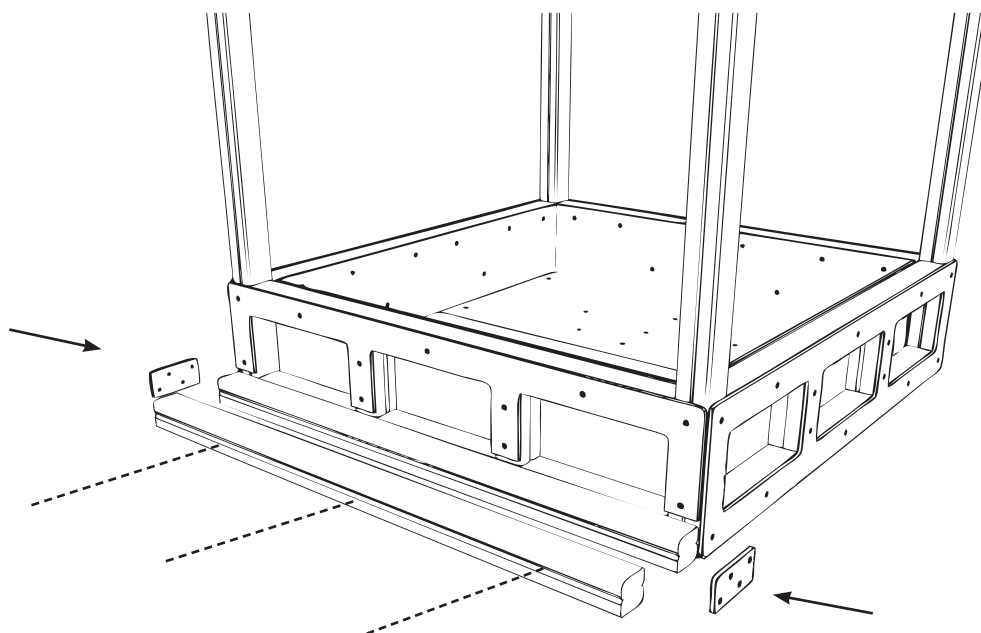
Using FM180 BRASS WOOD SCREWS



**6**

## SCREW ON 2ND STEP TIMBER TO EXISTING and CAP EACH END

Using FM180 BRASS WOOD SCREWS for the step and FM80 BRASS WOOD SCREWS for the caps

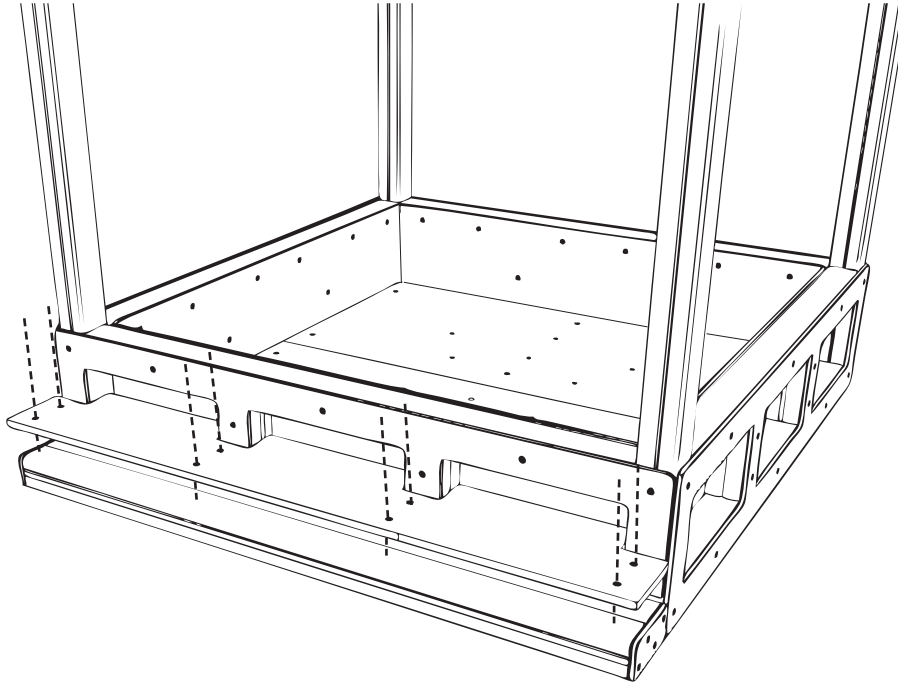


# Installation Instructions

7

## ATTACH HEX STEP PANEL ON TOP OF TIMBERS

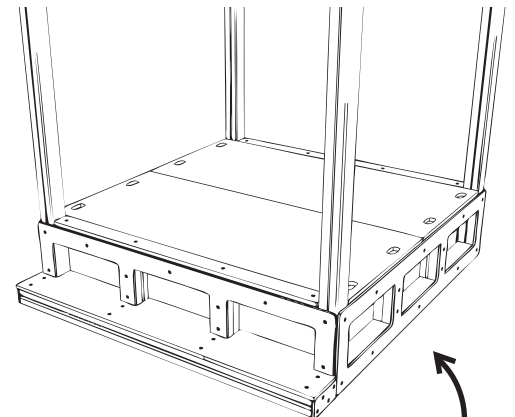
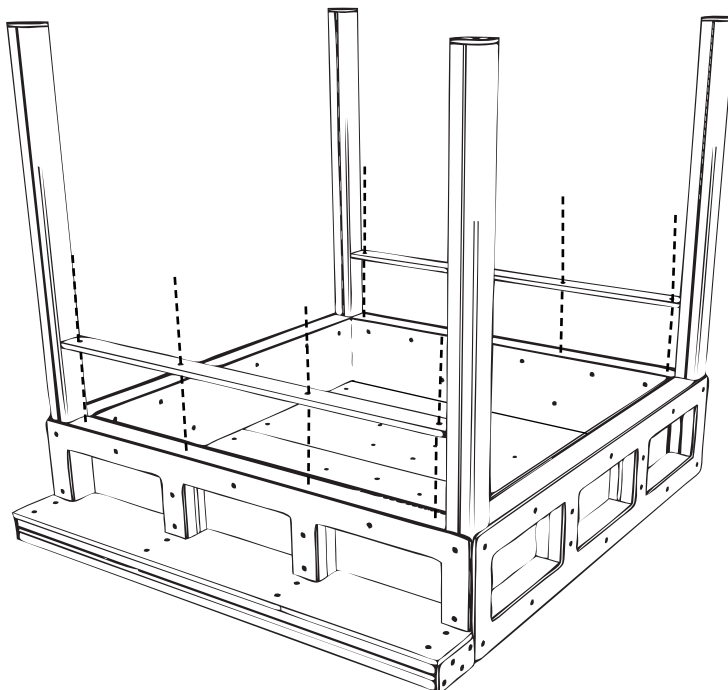
ENSURE YOU SECURE LEAVING NO GAP BETWEEN PLAYTEC SIDE AND HEX - Using FM80 BRASS WOOD SCREWS



8

## Attach HEX SLATS ON TOP OF SIDE B and C

Using FM80 BRASS WOOD SCREWS



**TIP!**



LAY THE HEX LID ON TOP BEFORE SCREWING SLATS INTO PLACE TO ENSURE THEY ARE SNUG WITH THE LID, HOLDING IT PLACE WHEN ON.

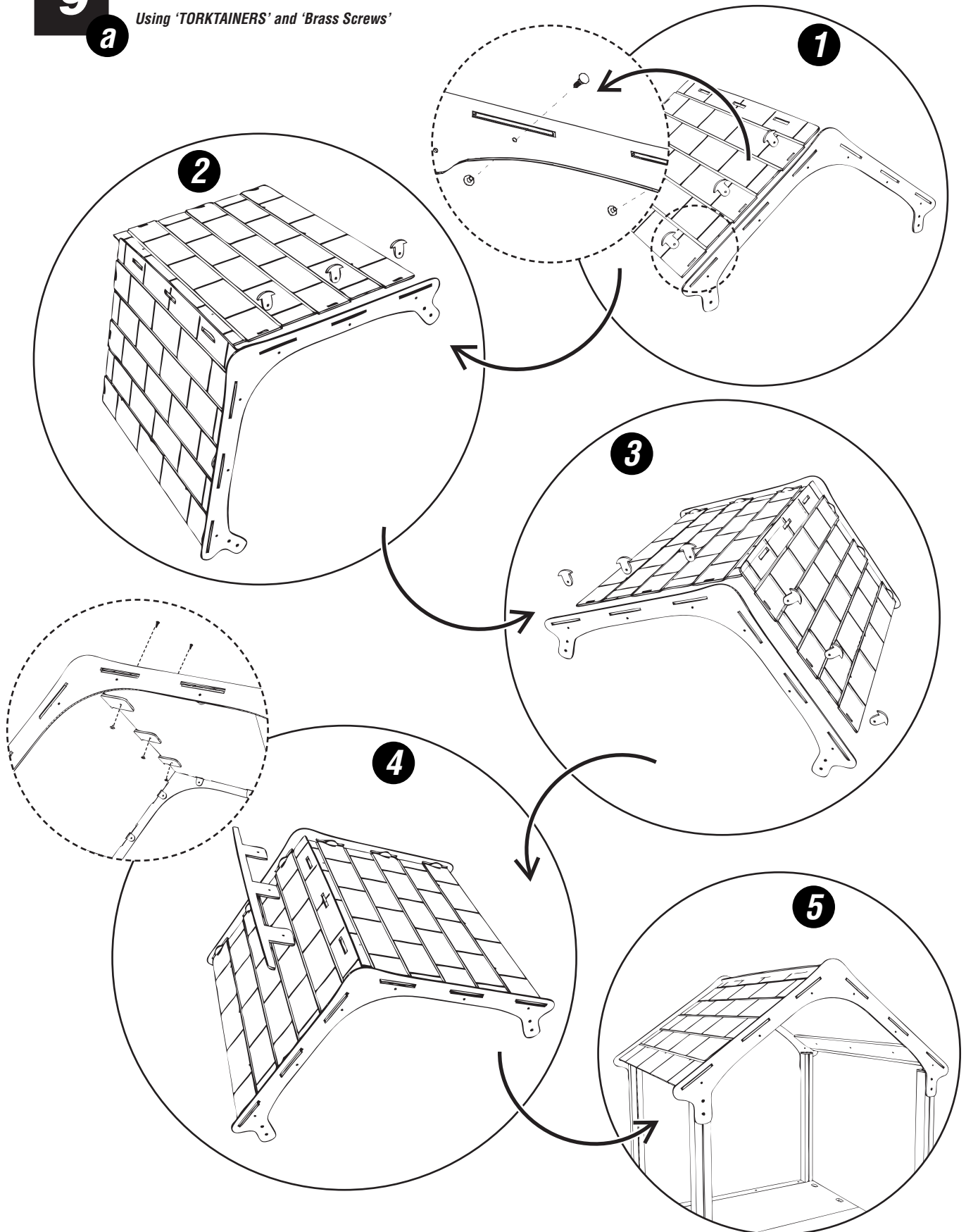
# Installation Instructions

**9**

## Attach the roof Parts (SANDHUT MAJOR ROOF)

**a**

Using 'TORKTAINERS' and 'Brass Screws'



# Additional Dimensions

---

