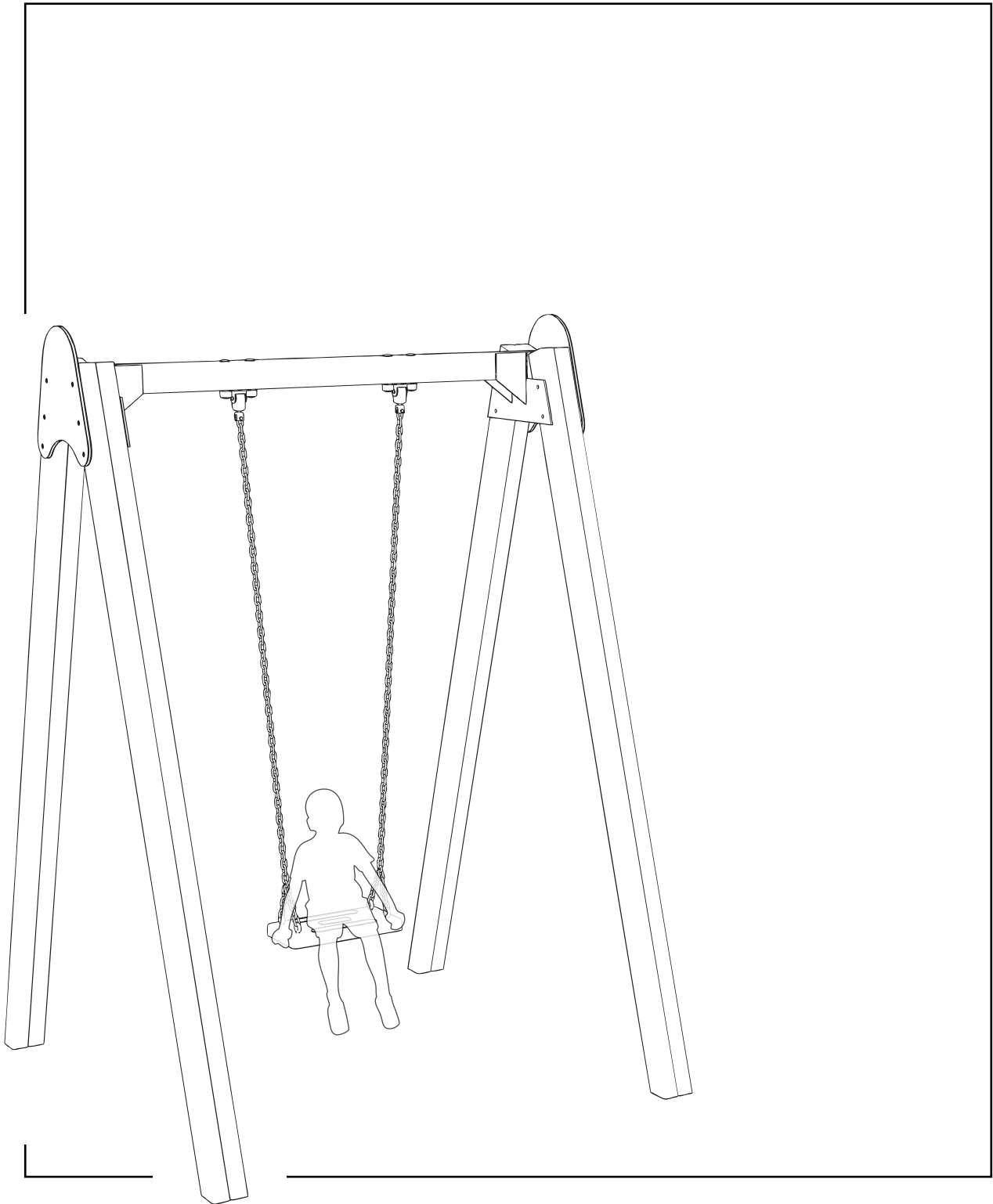


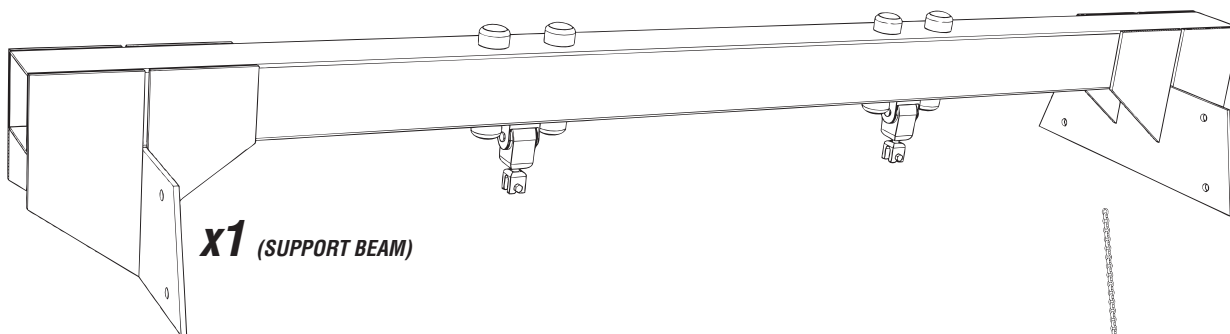
SINGLE SWING (FLAT SEAT)

Installation Instructions

**creative
play**



PARTS required



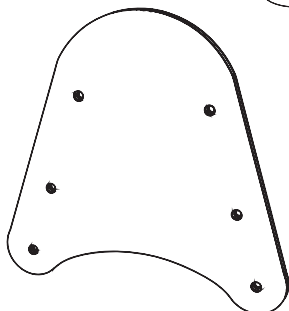
x1 (SUPPORT BEAM)



x8 (small caps blue)



x4 (nut caps M8)



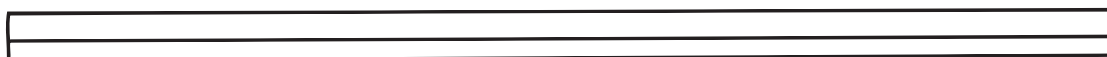
x2 (COVERS)



x20 (FM80 'Brass screws')



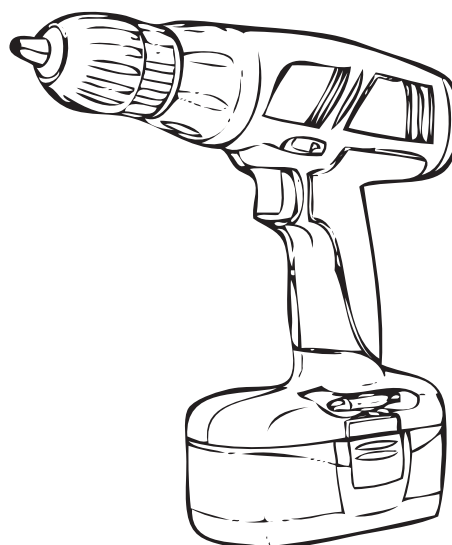
x1 (FLAT SEAT inc chain)



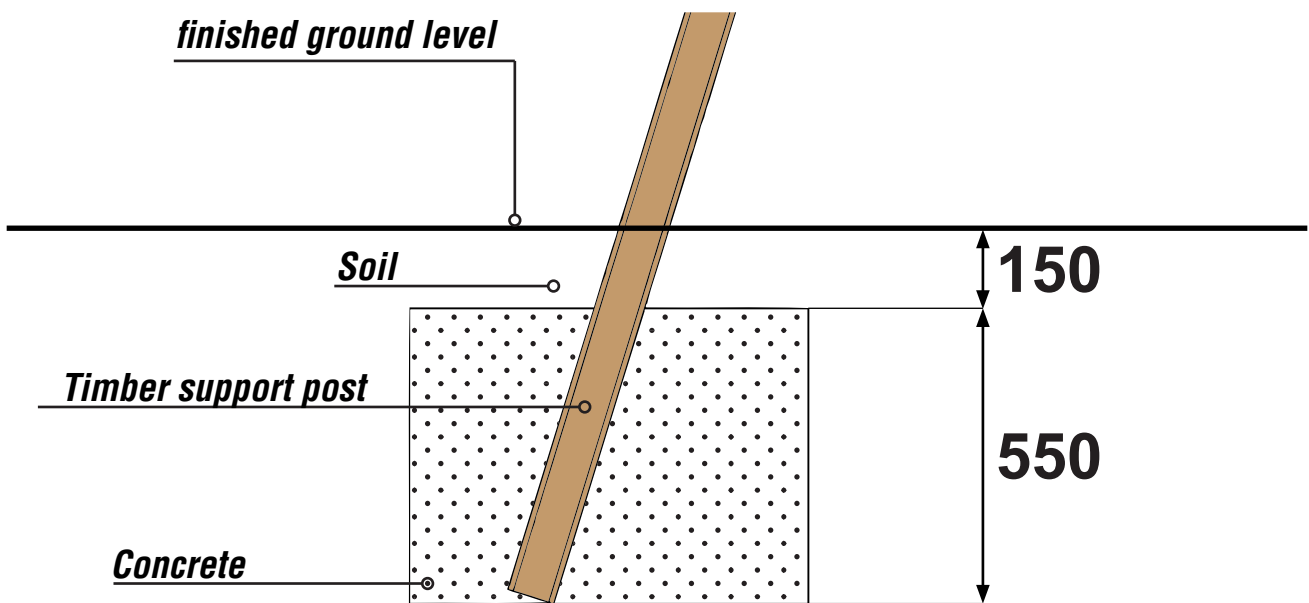
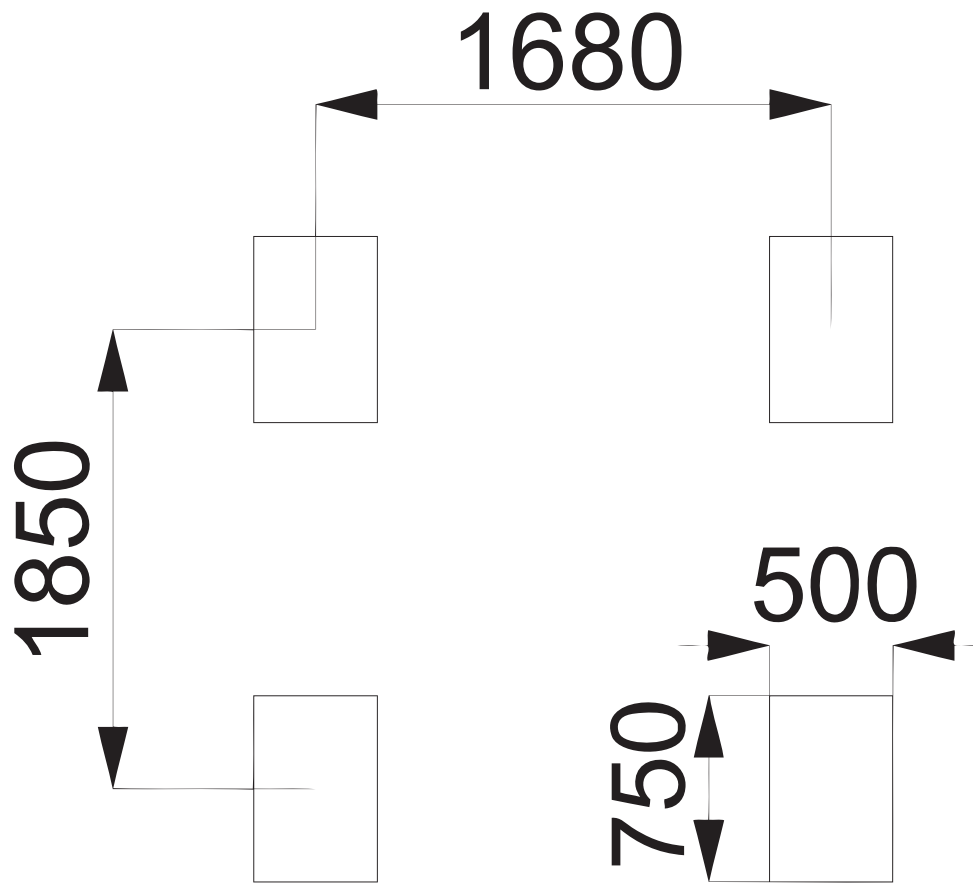
S1

x4 (Uprights)

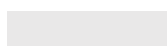

TOOLS required

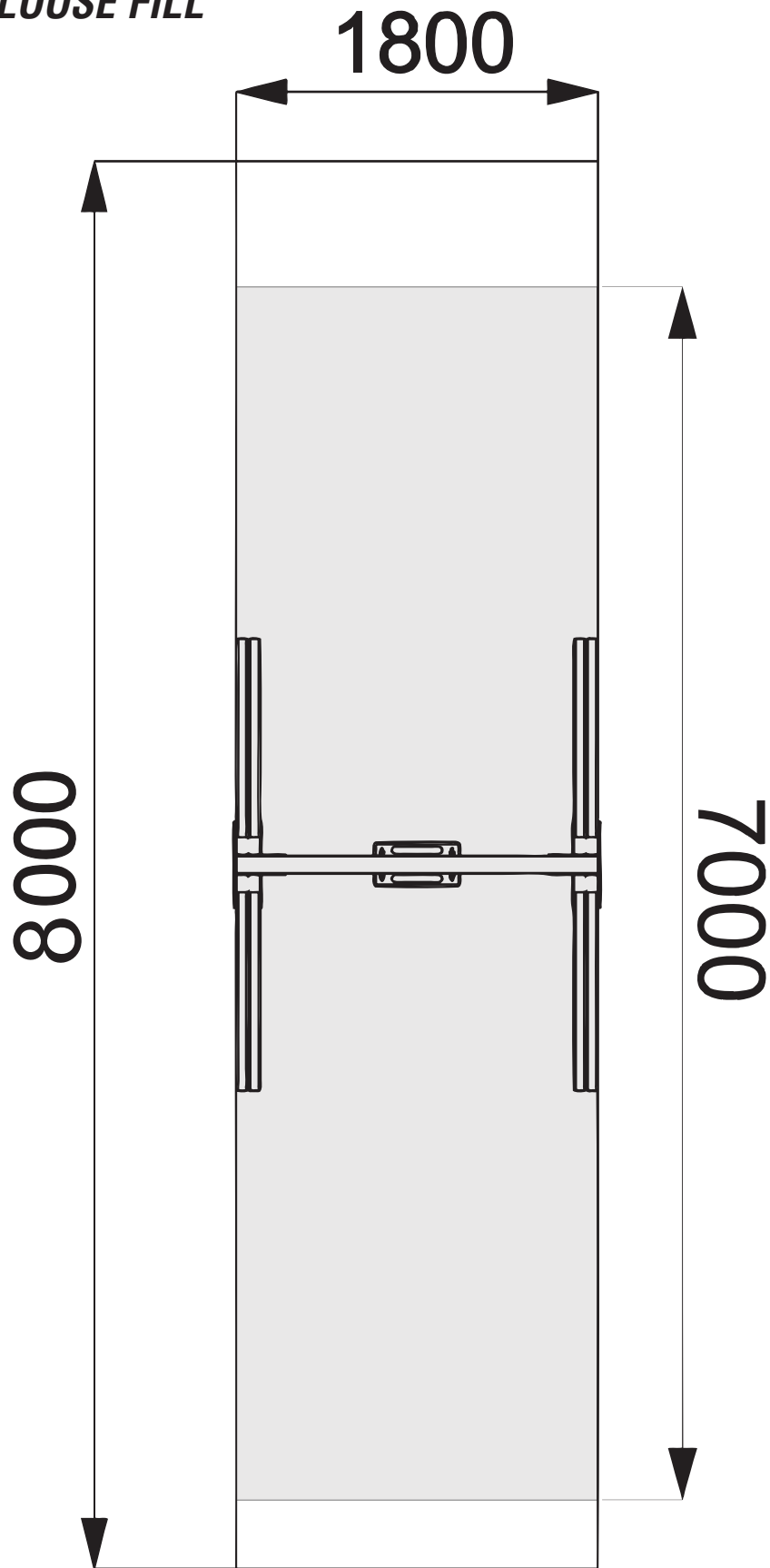


Foundation Details



Surfacing Details

 = SYNTHETIC
 = LOOSE FILL



Installation Instructions

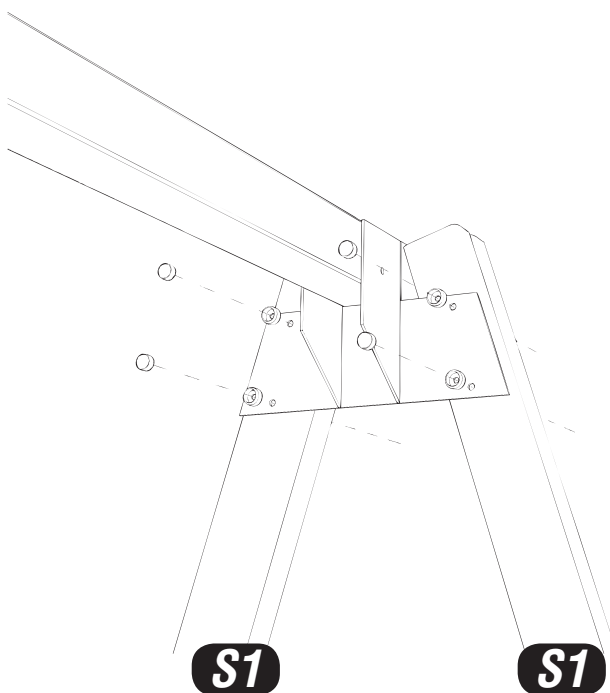
1

Attach the **TIMBERS S1** to the **SUPPORT BEAM**

Using 8x FM 80 'Brass Screws' / 10x SMALL CAPS

NOTES:

EACH SIDE



2

Attach **PLAYTEC COVER** to the **TIMBERS S1**

Using 12x FM 80 'Brass Screws'

NOTES:

EACH SIDE

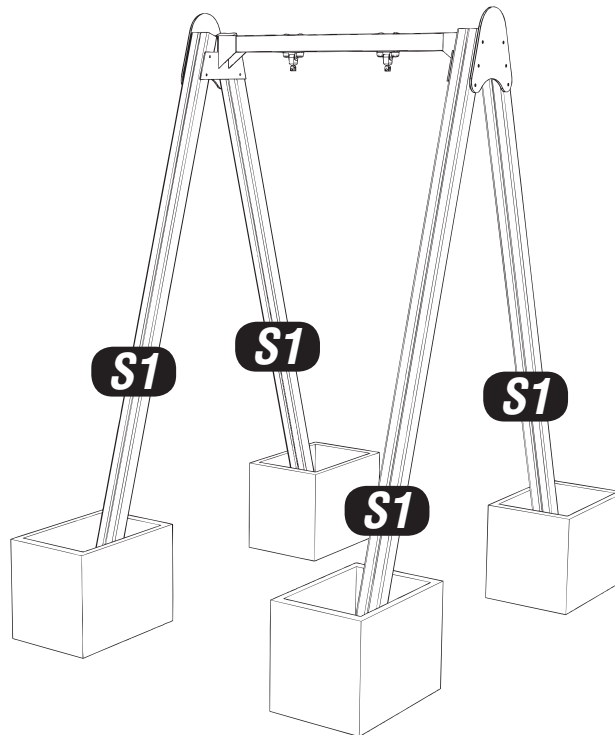


Installation Instructions

3

Install the assembly

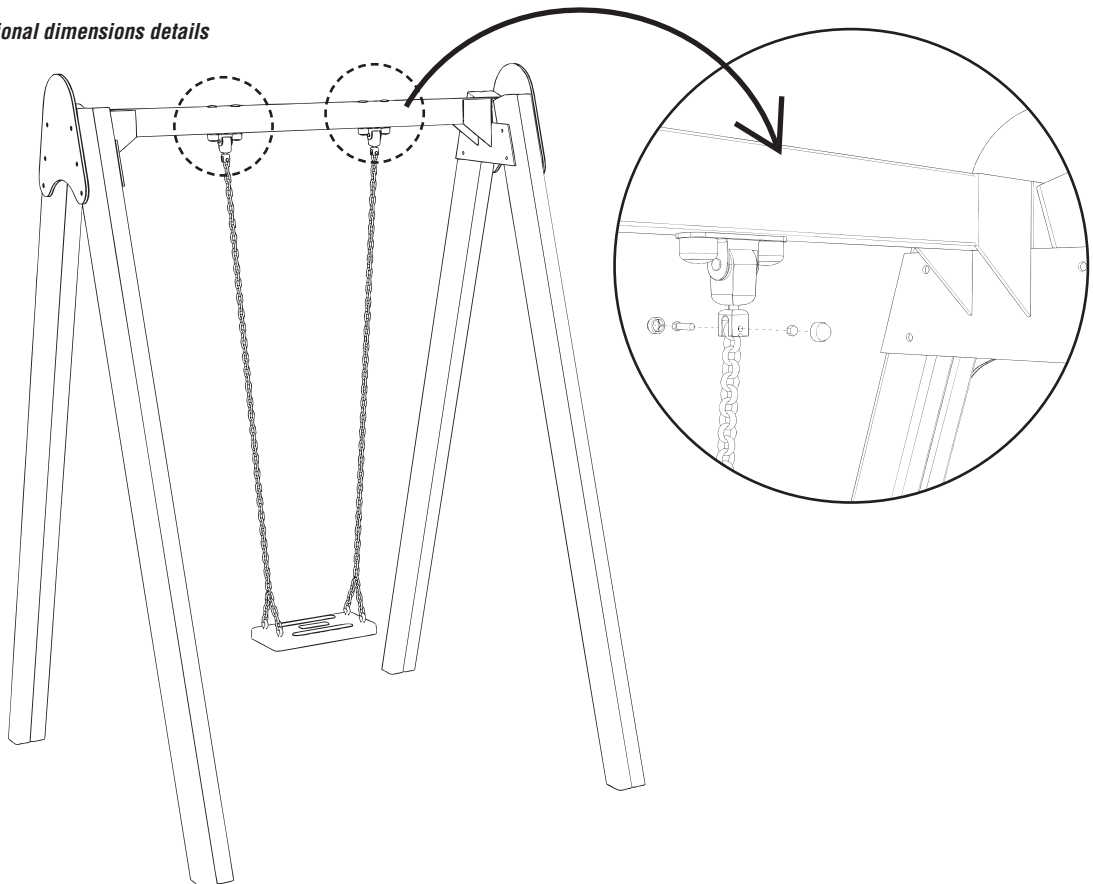
Follow Foundation details



4

Install FLAT SEAT

Additional dimensions details



Additional Dimensions

