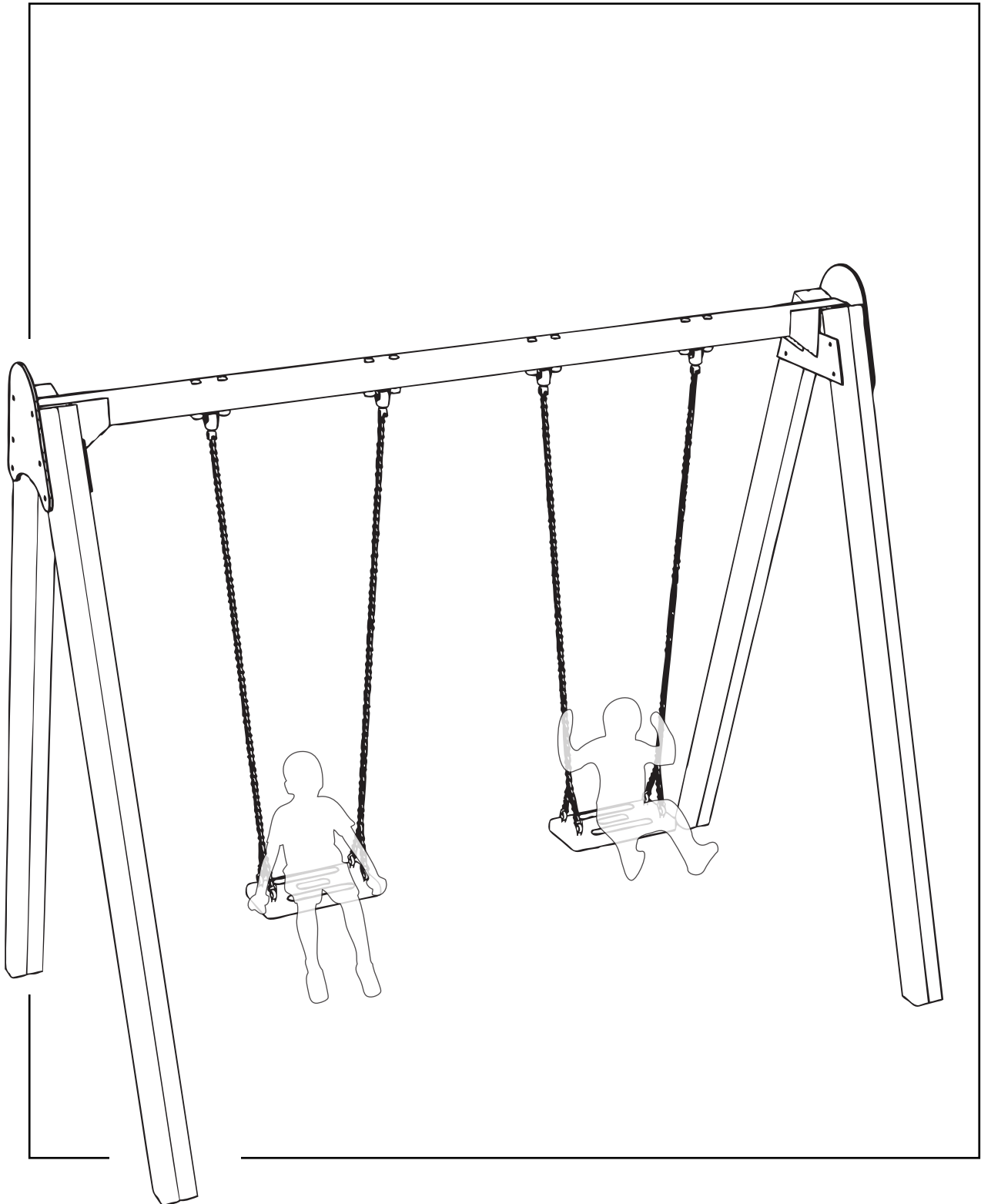


DOUBLE SWING (FLAT SEAT)

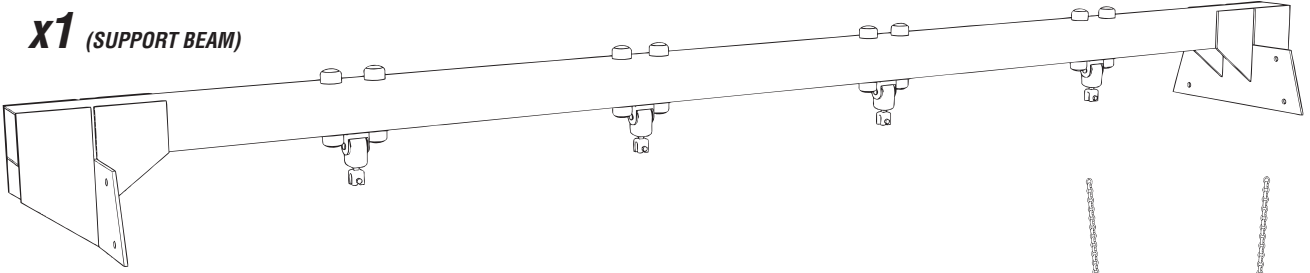
Installation Instructions

**creative
play**

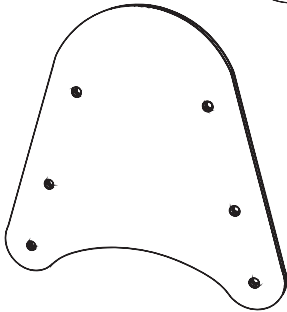


PARTS required

x1 (SUPPORT BEAM)



x8 (small caps blue) **x8** (nut caps M8)



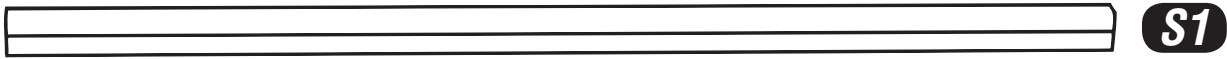
x2 (COVERS)



x20 (FM80 'Brass screws')



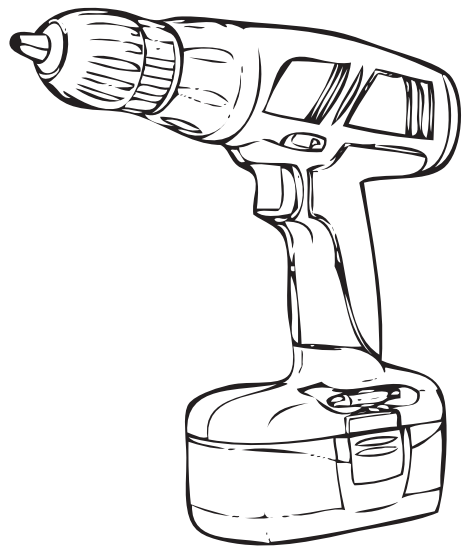
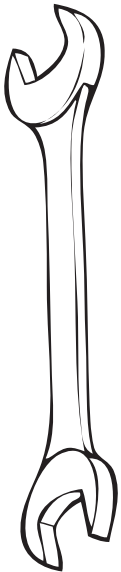
x2 (FLAT SEAT inc chain)



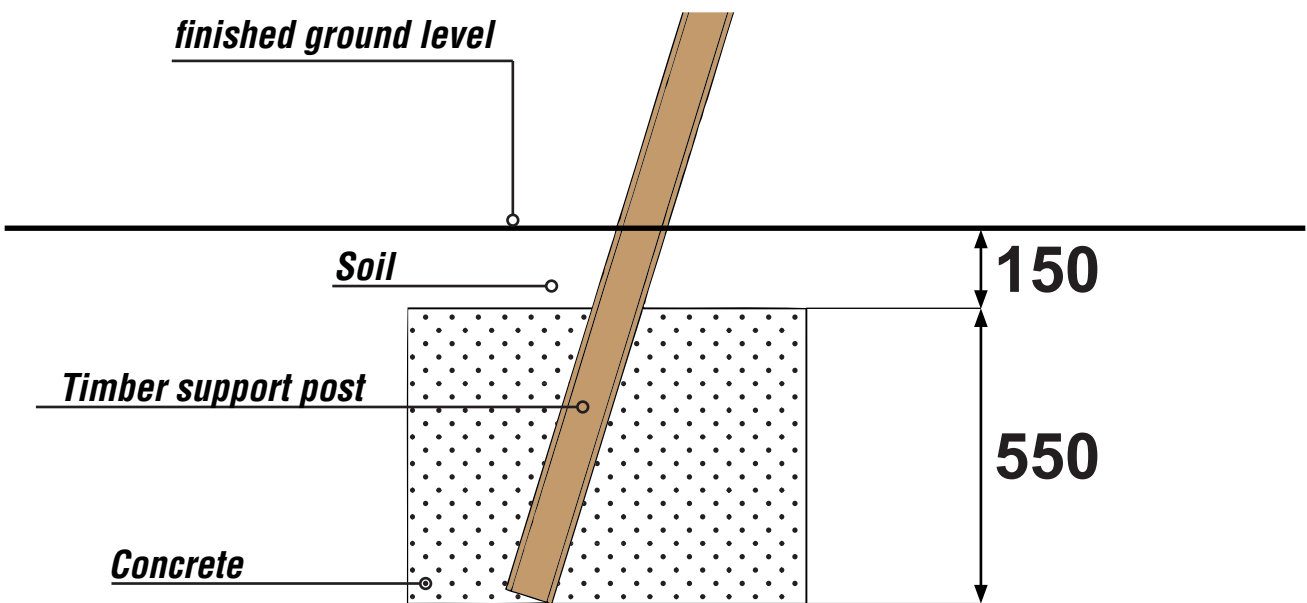
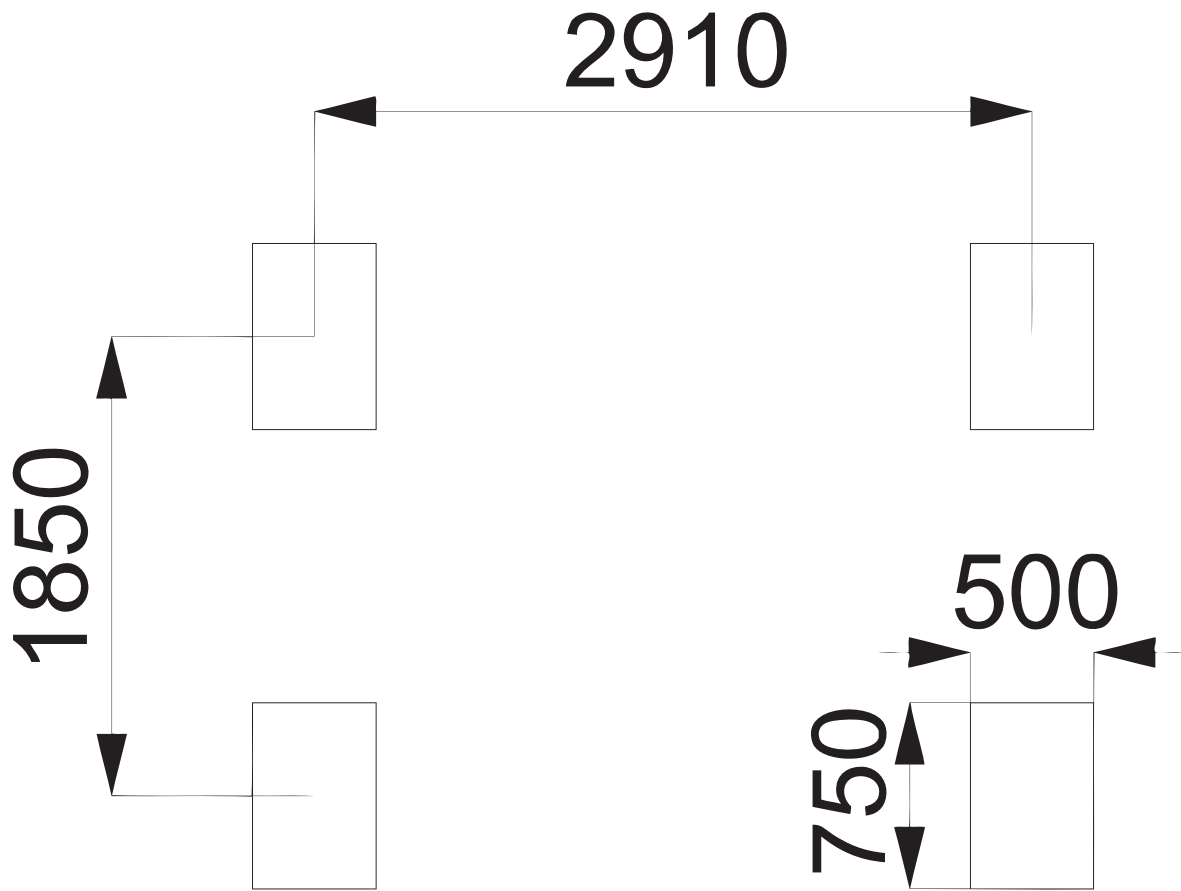
S1

x4 (Uprights)

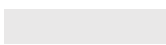

TOOLS required

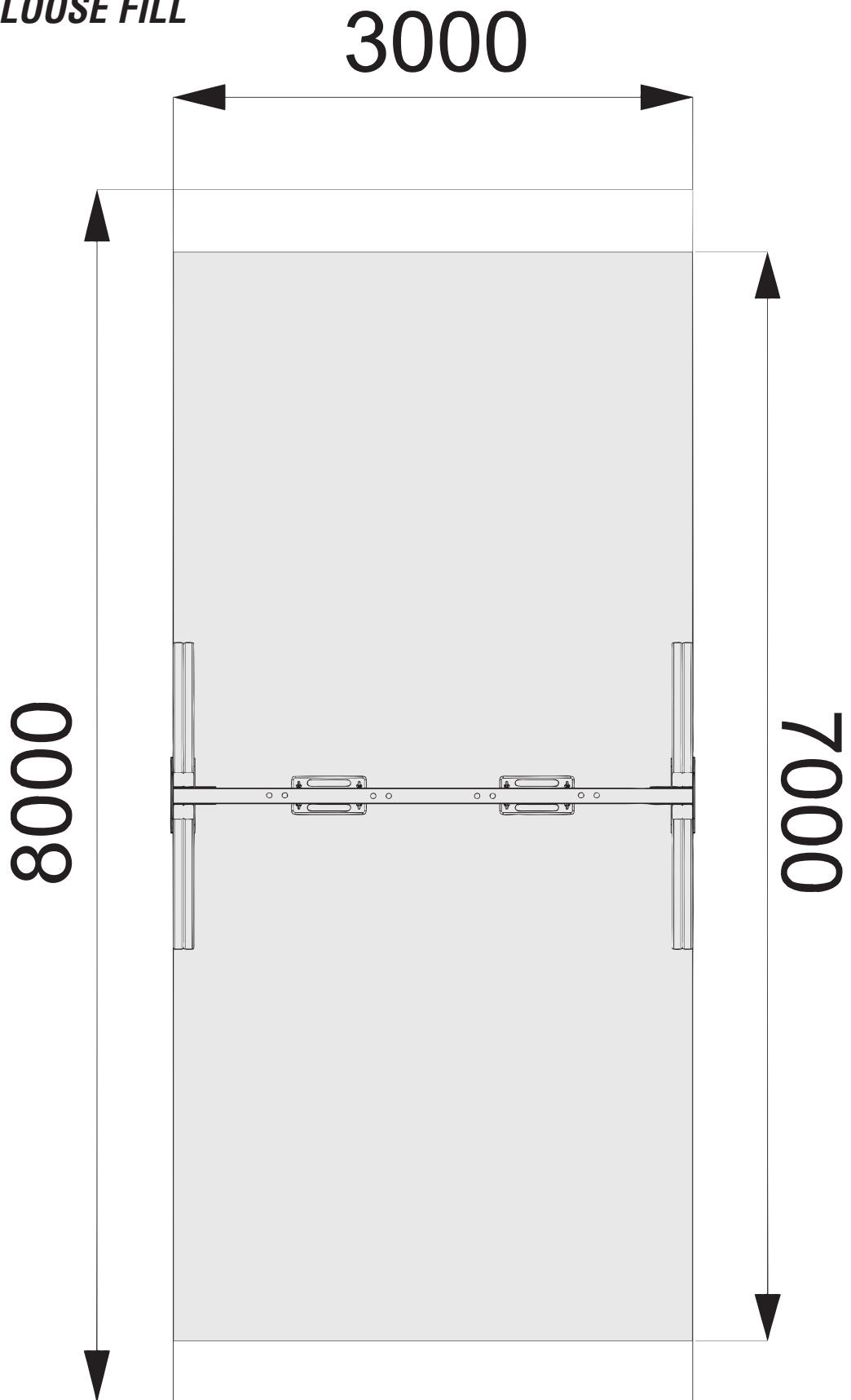


Foundation Details



Surfacing Details

 = **SYNTHETIC**
 = **LOOSE FILL**



Installation Instructions

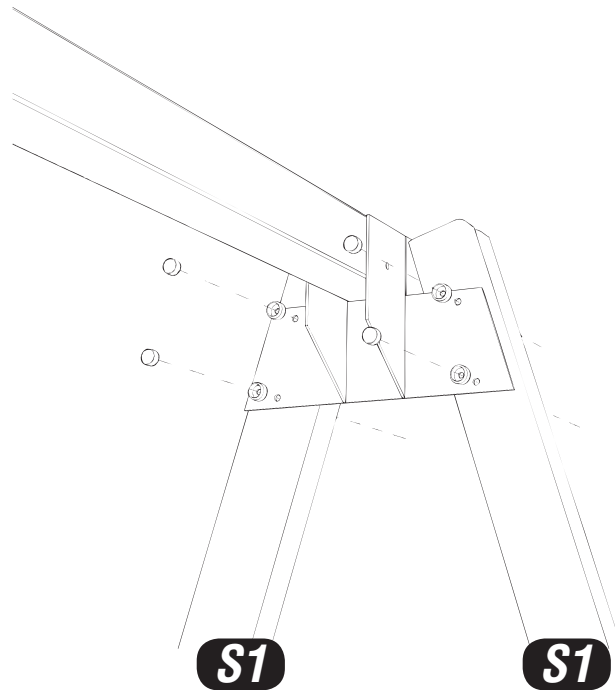
1

Attach the **TIMBERS S1** to the **SUPPORT BEAM**

Using 8x FM 80 'Brass Screws' / 10x SMALL CAPS

NOTES:

EACH SIDE



2

Attach **PLAYTEC COVER** to the **TIMBERS S1**

Using 12x FM 80 'Brass Screws'

NOTES:

EACH SIDE

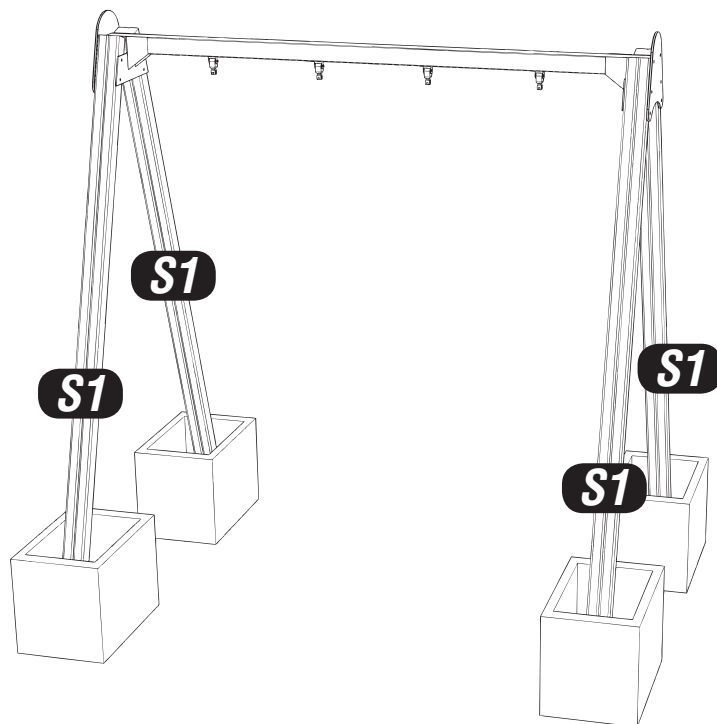


Installation Instructions

3

Install the assembly

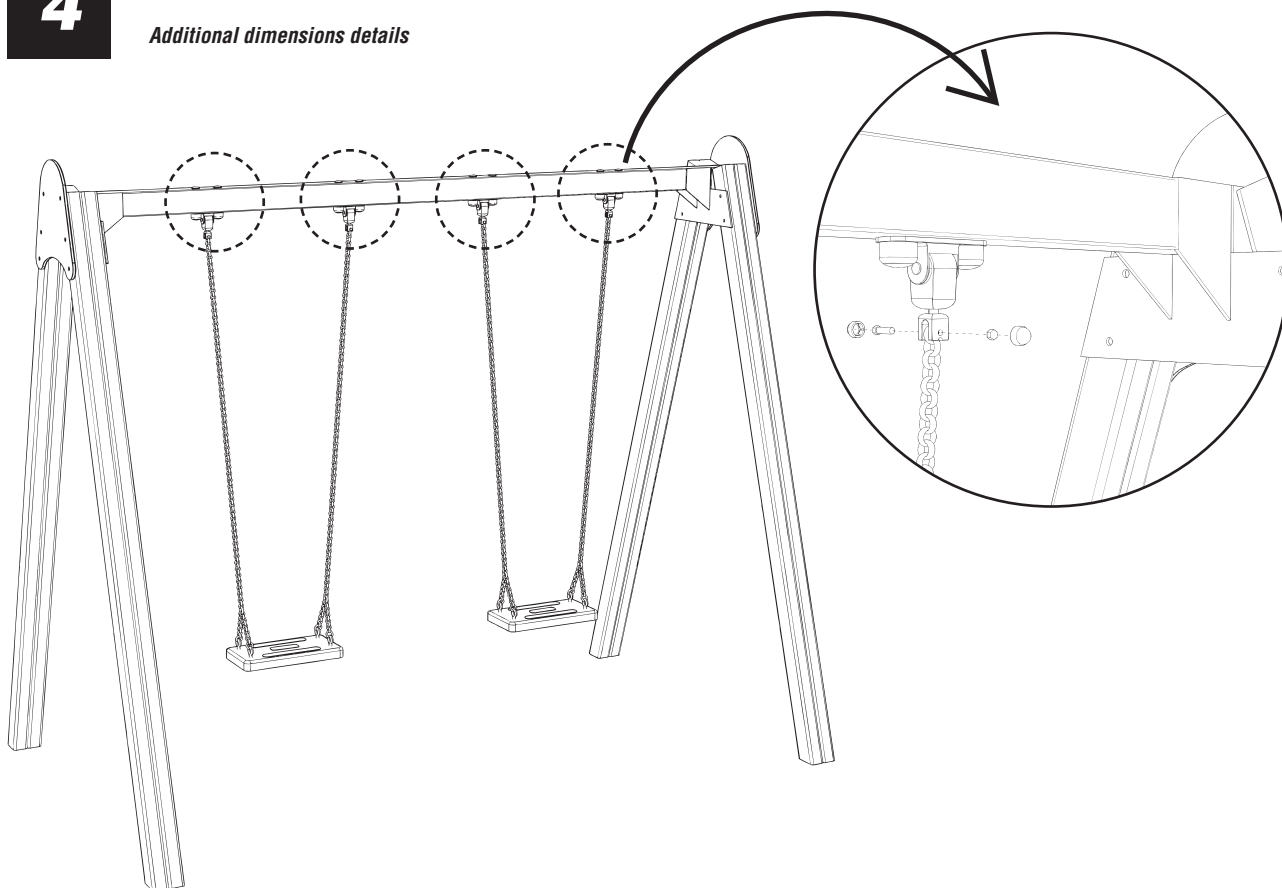
Follow Foundation details



4

Install FLAT SEATS

Additional dimensions details



Additional Dimensions

