

SHOP FRONT

Installation Instructions

**creative
play**



PARTS required



x1 TOP board



x1 TABLE board



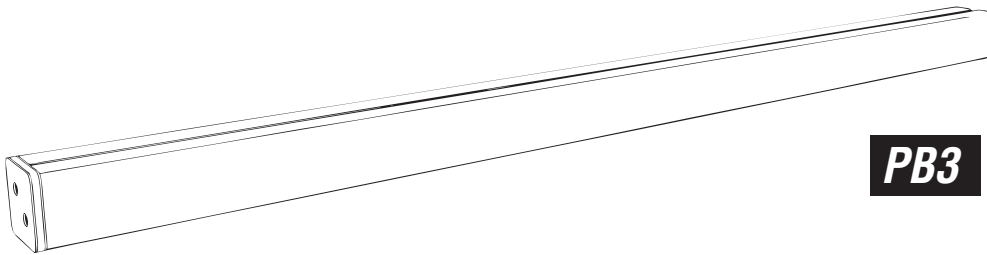
***x1 top side left
x1 top side righth***



x1 BOTTOM board



***x1 bottom side left
x1 bottom side righth***

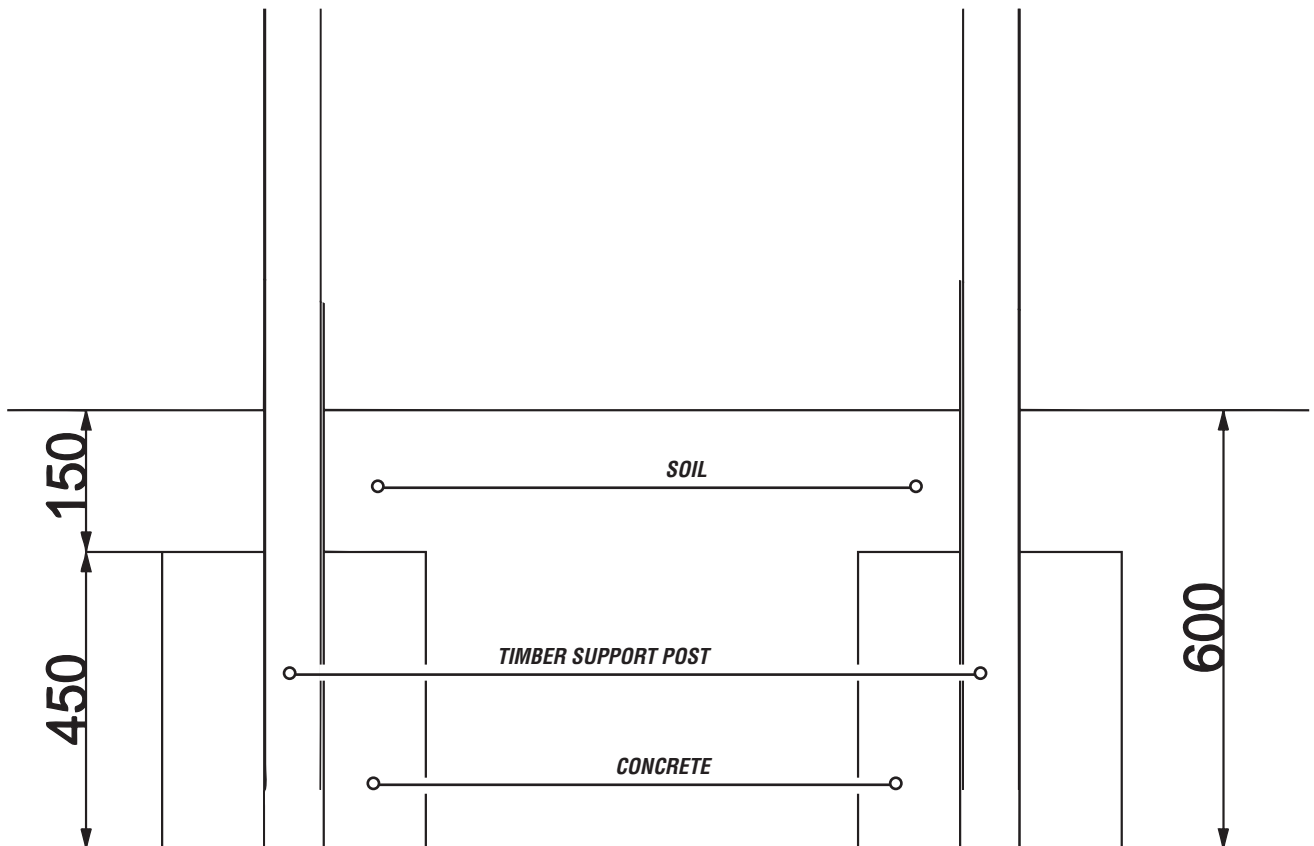
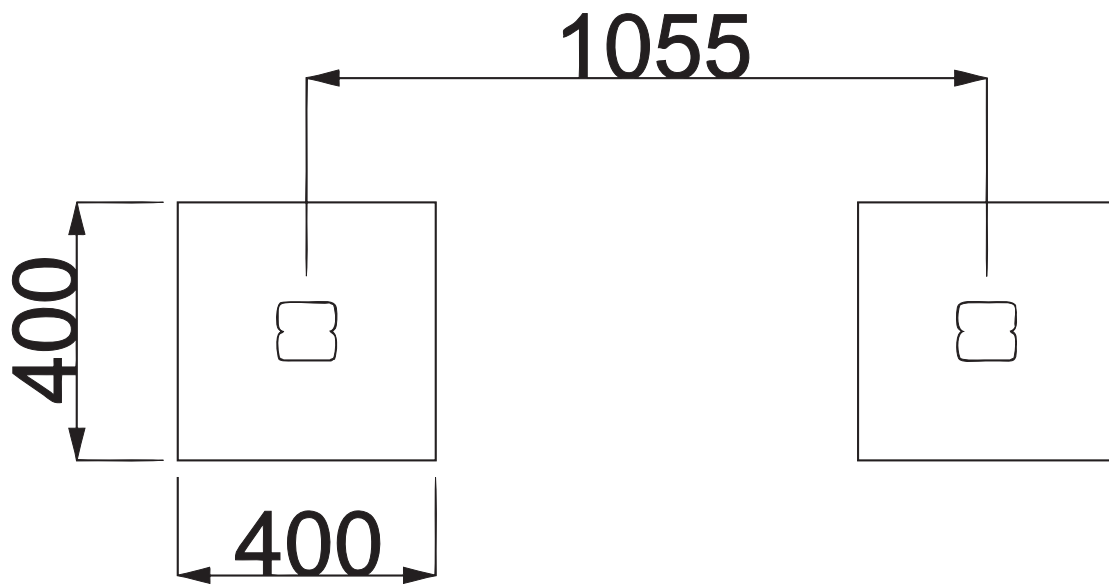


PB3 QTY x 2
(90mm x 90mm)



x12 *(80mm brass screws)*

Foundation Details



Installation Instructions

1

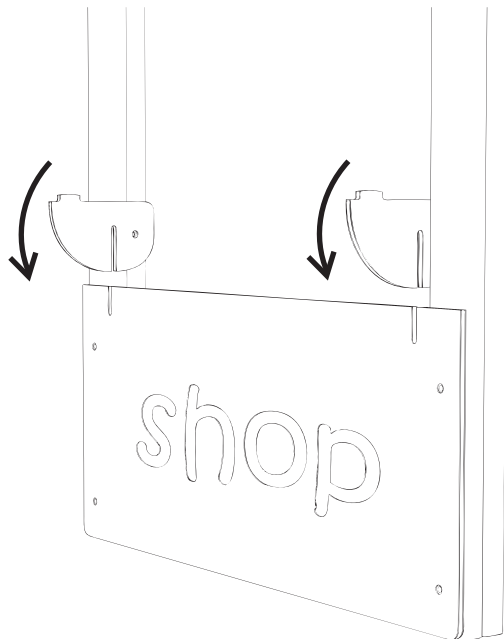
Attach the *BOTTOM BOARD* to the *PB3 timbers*

Using 'Brass Screws'



2

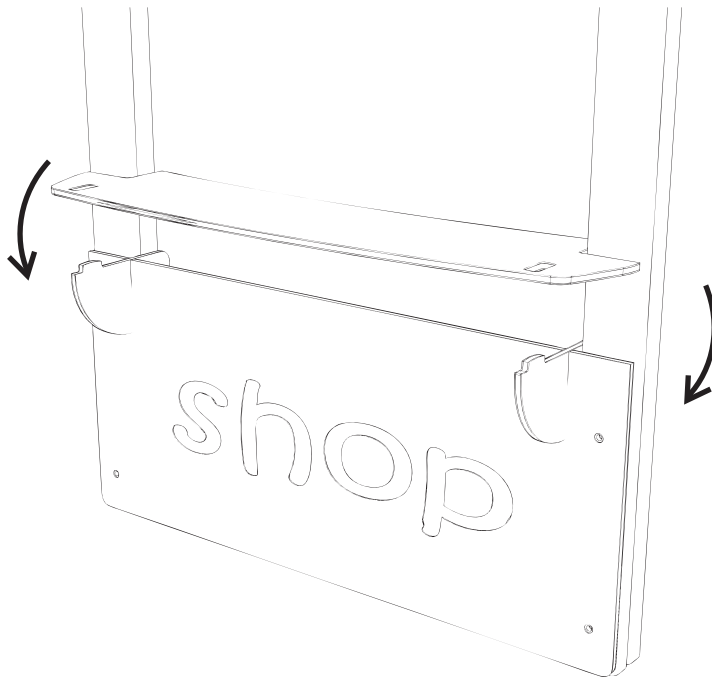
Attach the *BOTTOM SIDE LEFT* and *RIGTH* to the *BOTTOM BOARD*



Installation Instructions

3

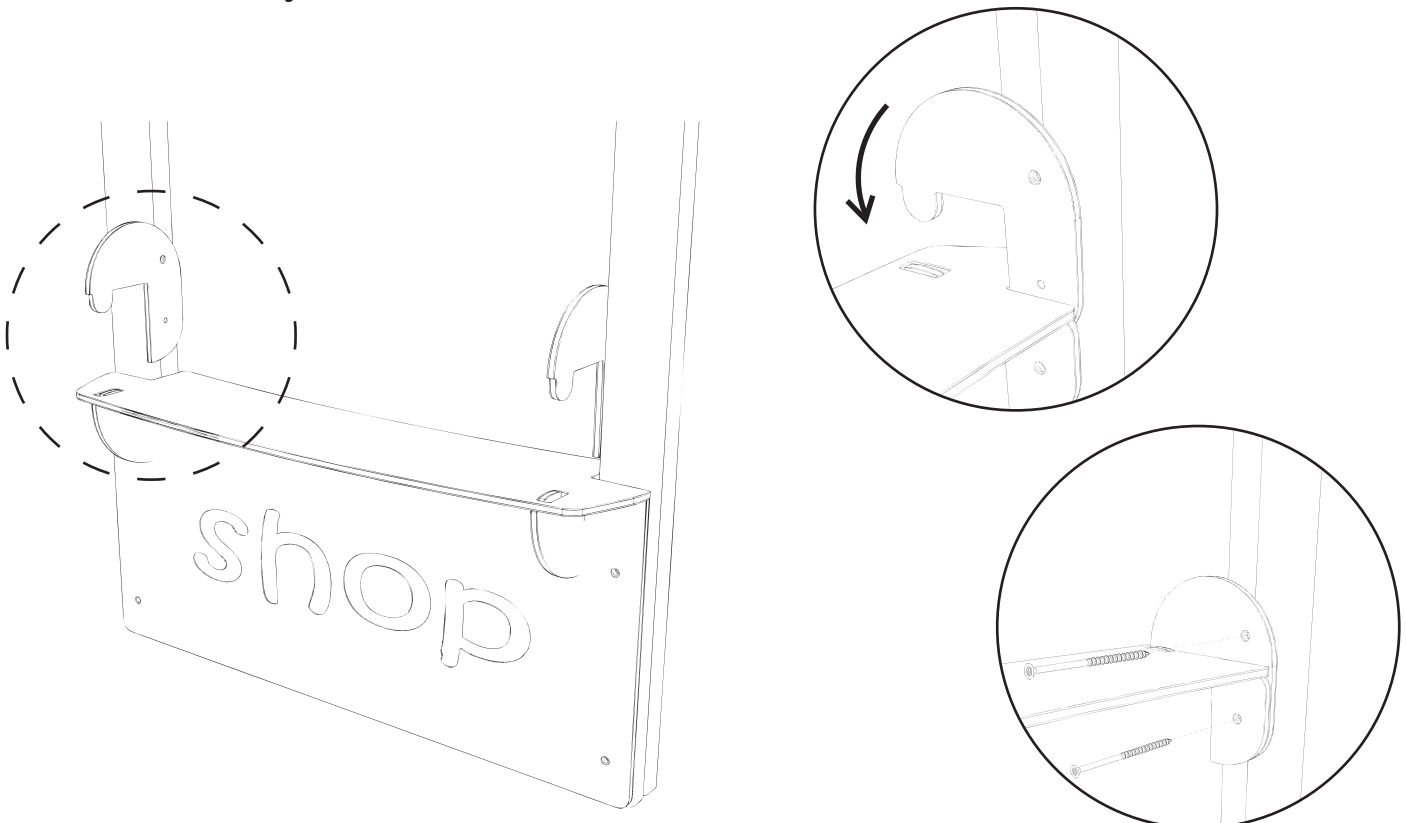
Attach the TABLE BOARD TO BOTTOM SIDE LEFT and RIGTH



4

Attach the TOP SIDE LEFT and RIGTH to the TABLE BOARD AND PB3 Timbers

Using 'Brass Screws'



Installation Instructions

5

Attach the TOP BOARD to the PB3 timbers

Using 'Brass Screws'



Additional Dimensions

