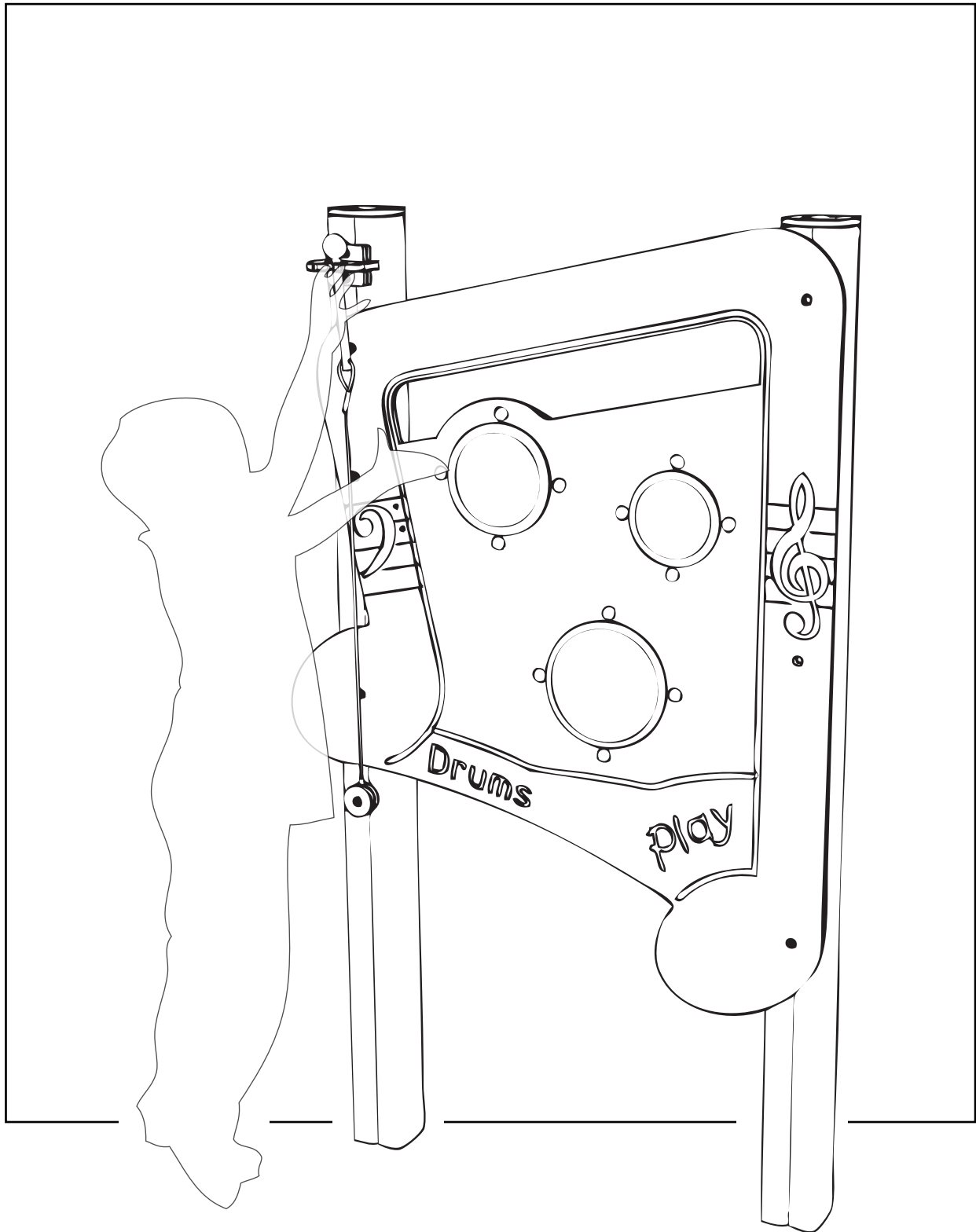


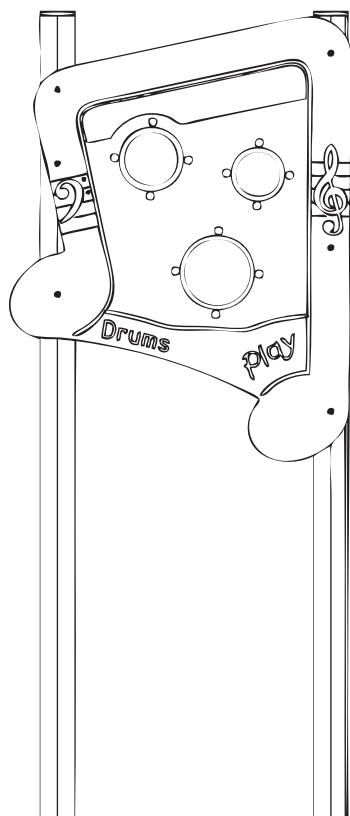
DRUMS

Installation Instructions

**creative
play**



PARTS required



x1 PRE-ASSEMBLED MUSIC PLAY BOARD



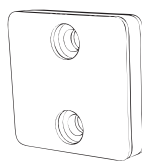
x3 FM80 BRASS WOOD SCREWS



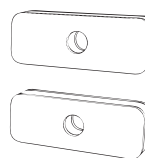
x1 PLAYTEC RING



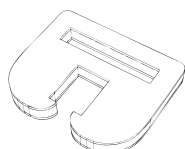
x1 RECESSED PLAYTEC CIRCLE



x1 PLAYTEC BLOCK



x2 OBLONG PLAYTEC PIECES

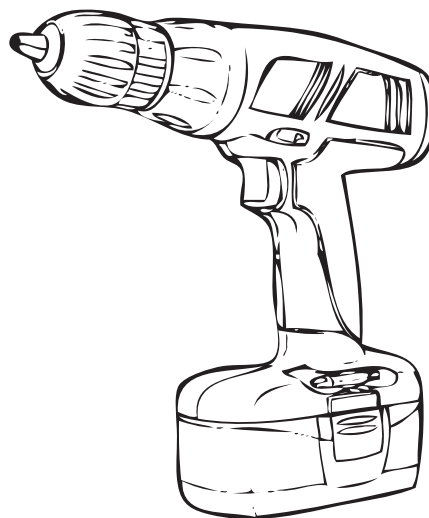
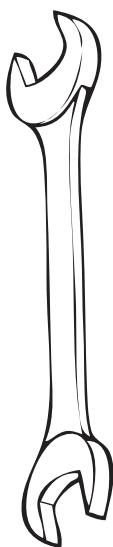


x1 PLAYTEC BEATER HOLDER

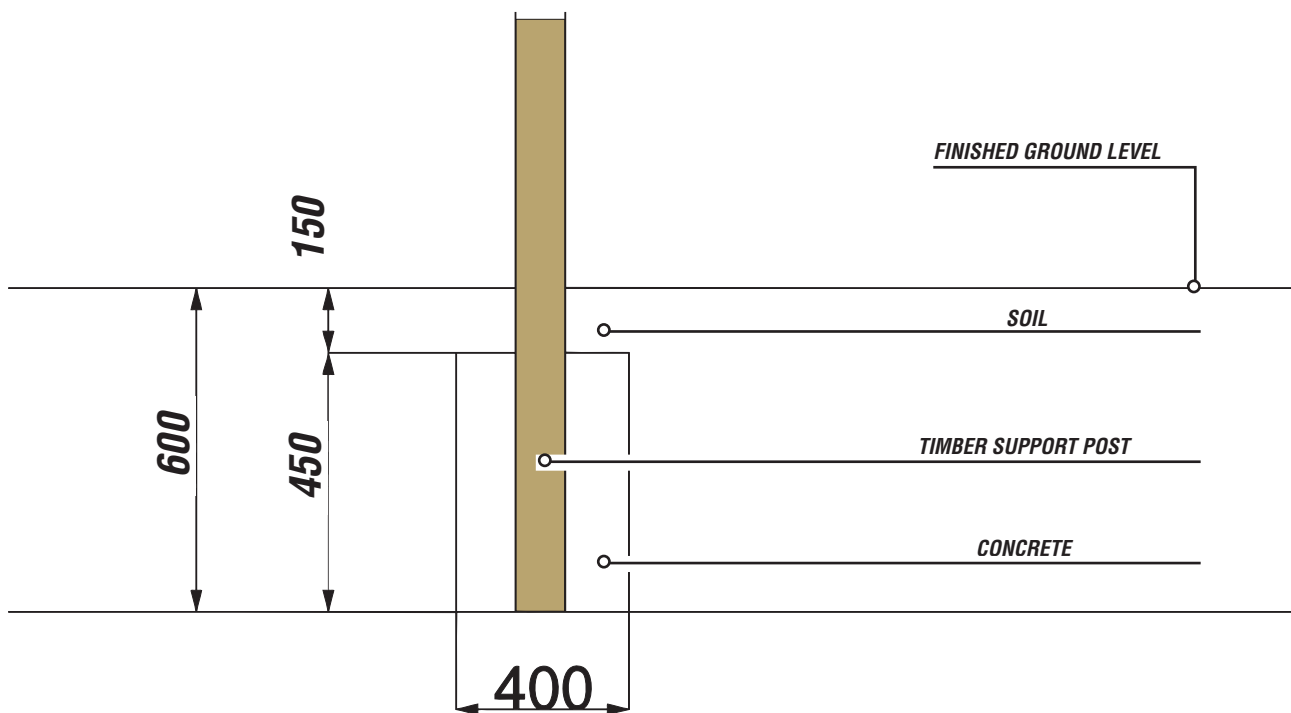
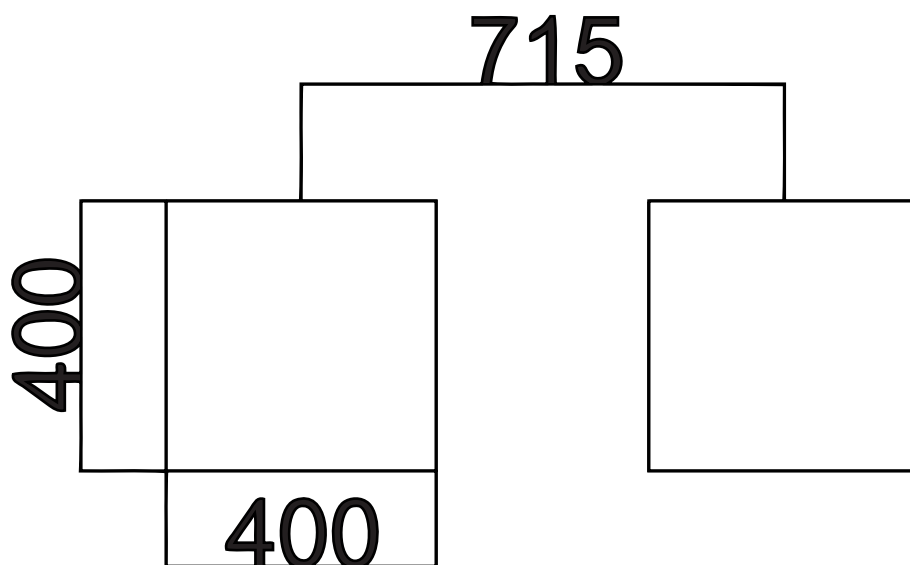


x1 BEATER WITH STEEL CORD

TOOLS required



Foundation Details

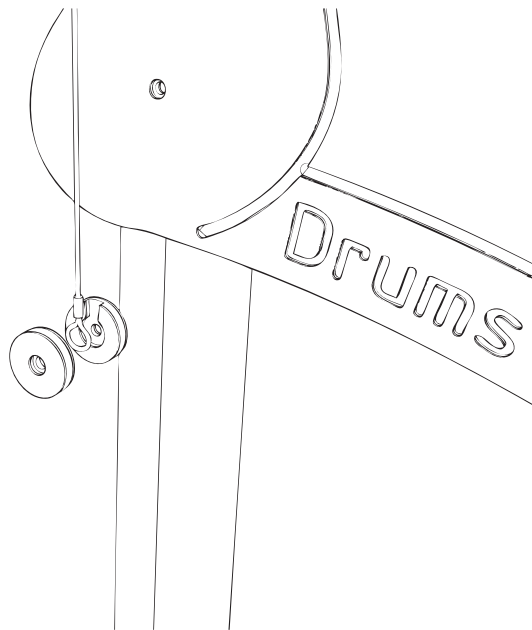


Installation Instructions

1

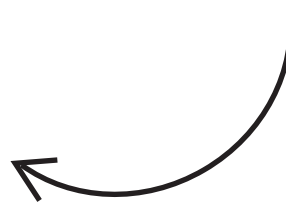
FIX BEATER TO LEFT TIMBER - BELOW MUSIC BOARD

USING 1 X FM80 BRASS WOOD SCREW



SANDWICH THE BEATER STEEL CORD LOOP BETWEEN THE PLAYTEC RING AND RECESSED PLAYTEC CIRCLE

FIX INTO PLACE USING 1 X FM80 BRASS WOOD SCREW



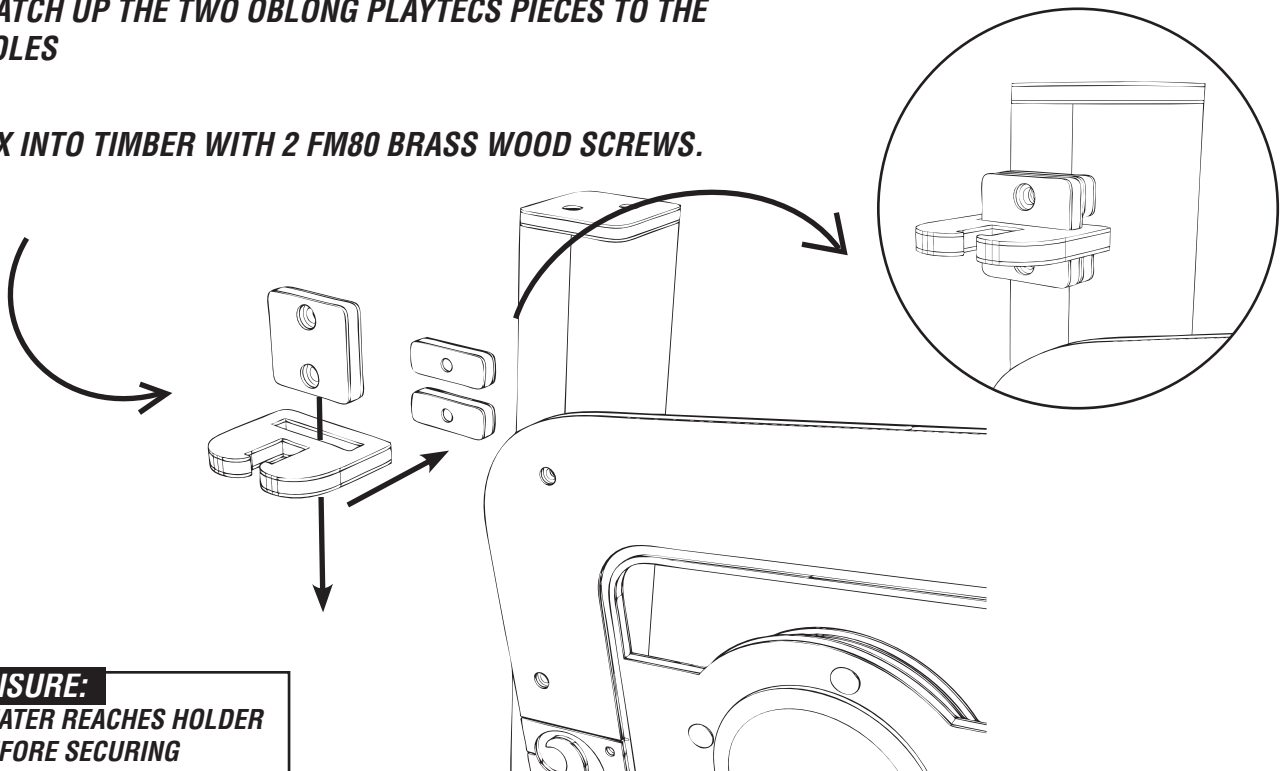
2

FIX BEATER HOLDER TO LEFT TIMBER - ABOVE MUSIC BOARD

USING 2 X FM80 BRASS WOOD SCREWS

PUSH PLAYTEC BLOCK THROUGH THE HOLDER AND MATCH UP THE TWO OBLONG PLAYTECS PIECES TO THE HOLES

FIX INTO TIMBER WITH 2 FM80 BRASS WOOD SCREWS.



ENSURE:
BEATER REACHES HOLDER
BEFORE SECURING

Additional Dimensions

