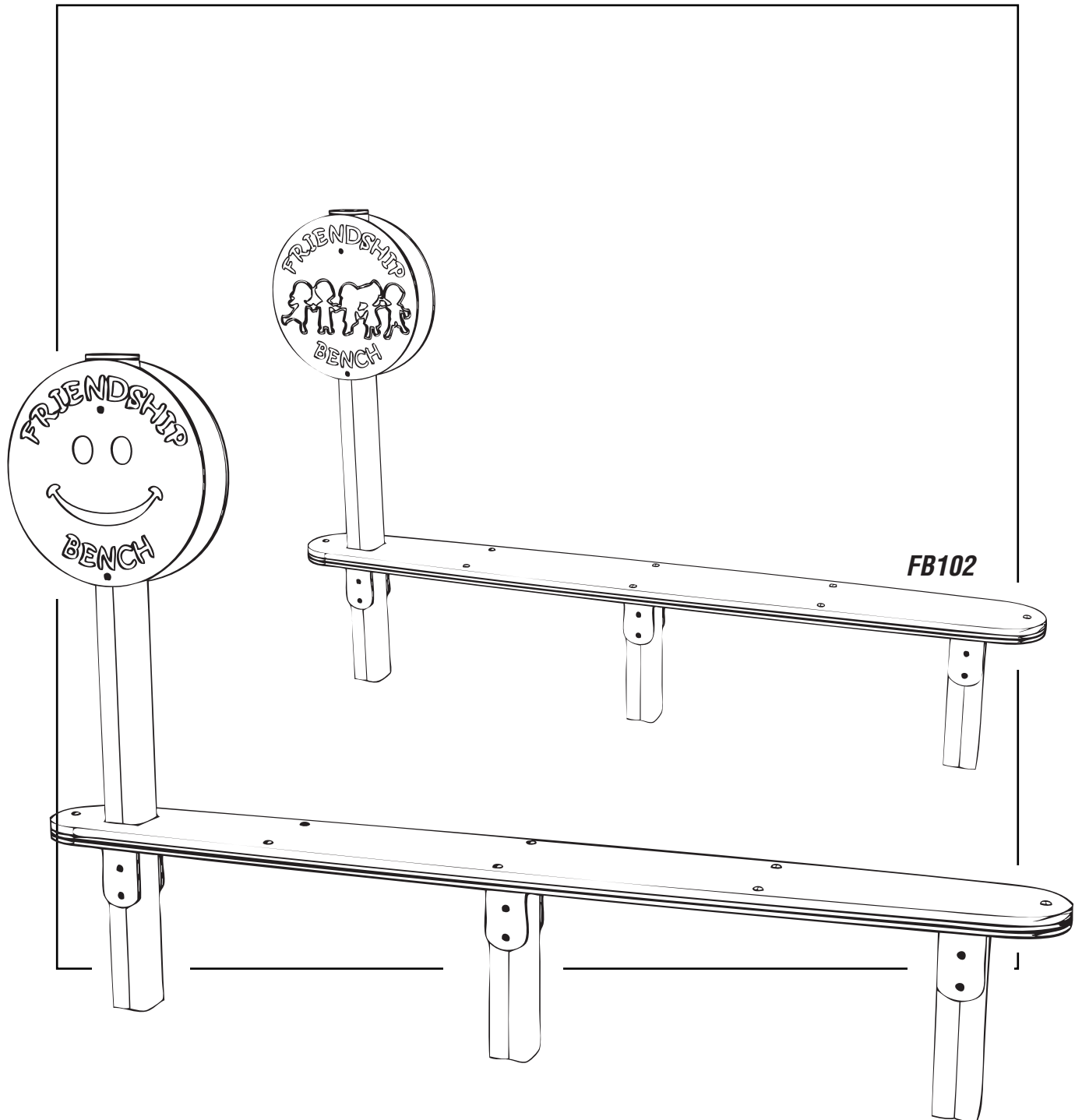


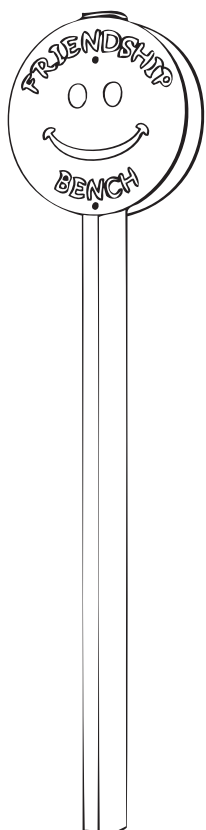
FRIENDSHIP BENCH

Installation Instructions

**creative
play**



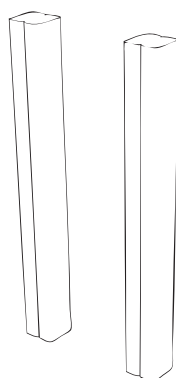
PARTS required



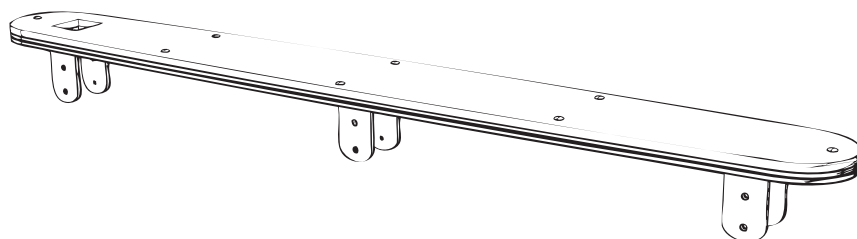
X1 2100mm TIMBER WITH
2 X PLAYTEC FACES



x 12 FM80 BRASS WOOD
SCREW

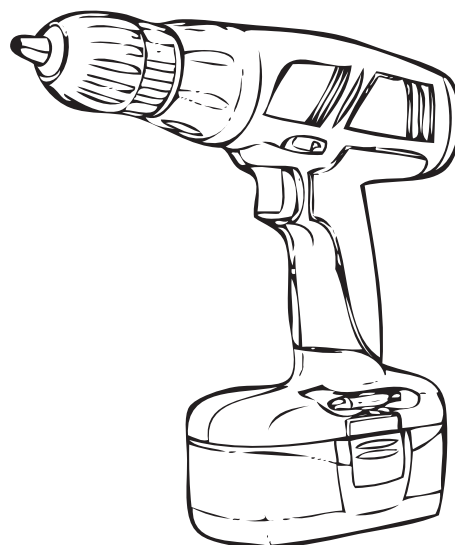


X2 1008mm TIMBER

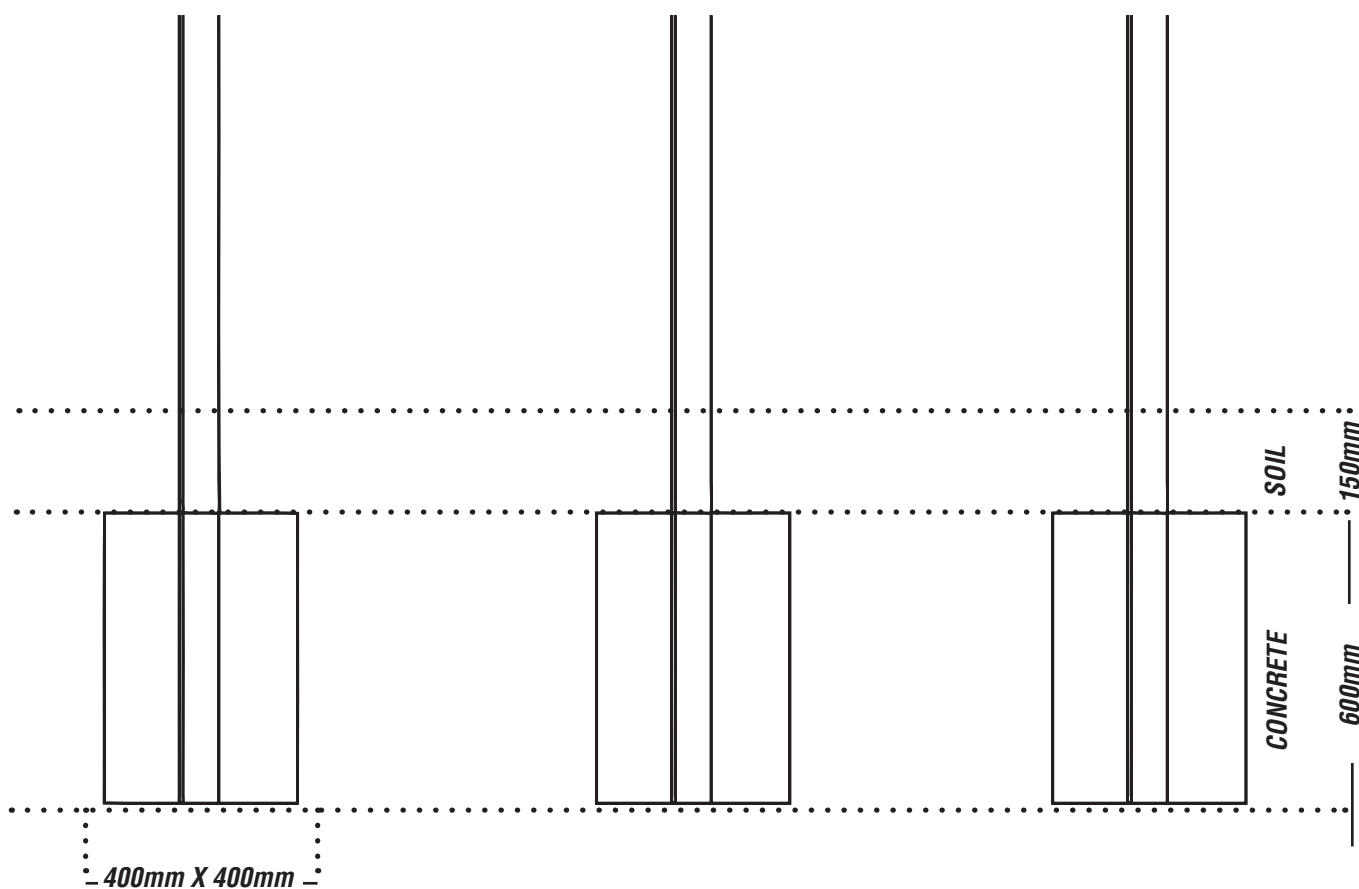
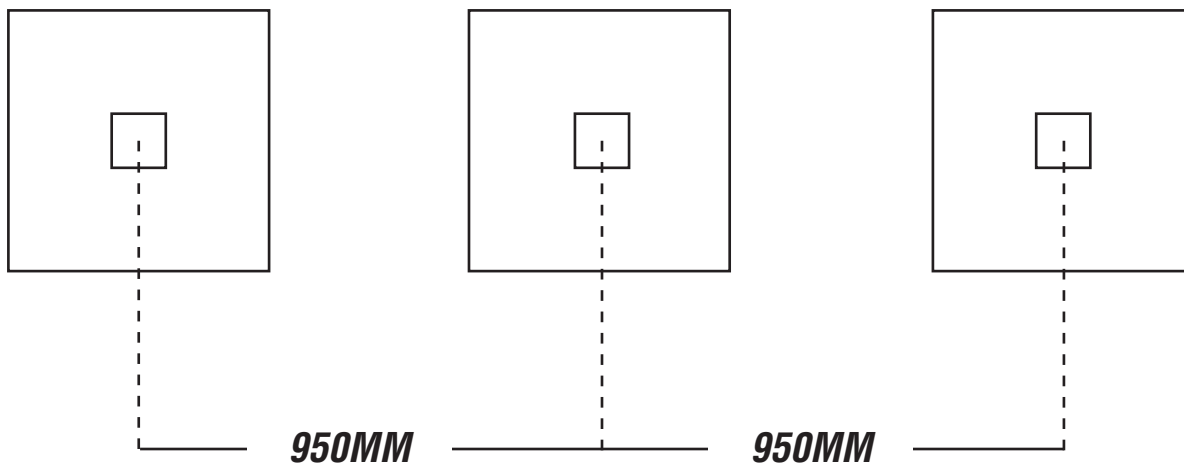


X1 PRE-ASSEMBLED
SEATING

TOOLS required



Foundation Details



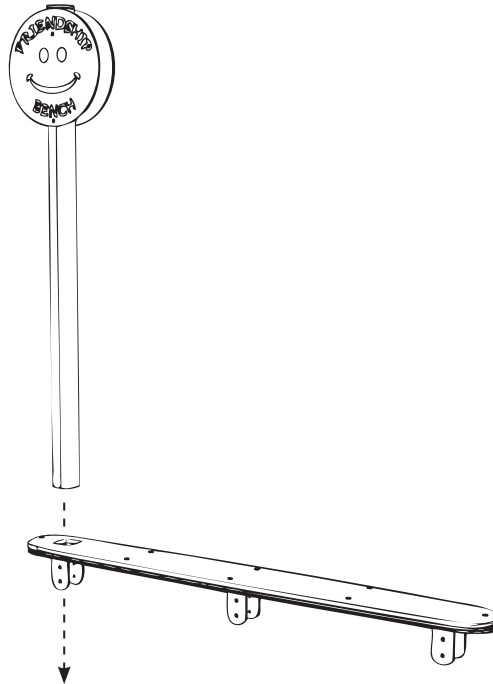
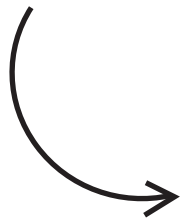
Installation Instructions

1

PLACE LARGE TIMBER IN SITU

PLACE LARGE TIMBER THROUGH THE PRE-ASSEMBLED SEATING

DO NOT FIX INTO PLACE AT THIS STAGE



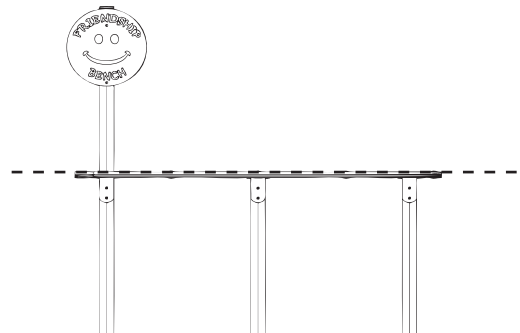
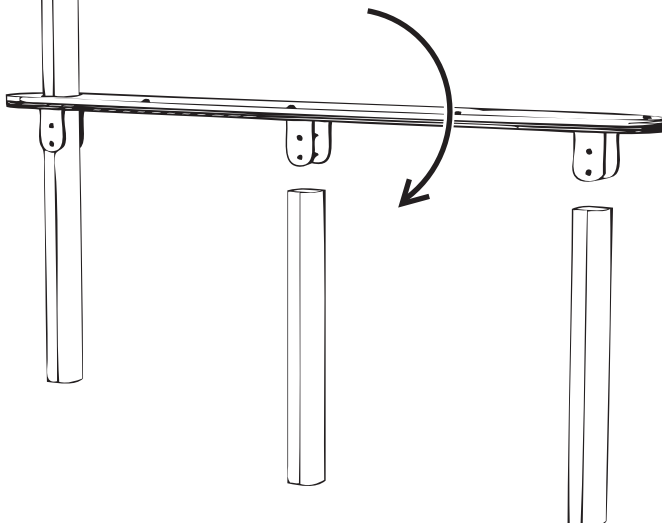
2

PLACE TWO SHORTER TIMBERS IN SITU

TIMBERS ARE NOT BEING FIXED AT THIS POINT

PLACE TWO SHORTER TIMBERS IN BETWEEN THE OTHER PLAYTEC BRACKETS

ENSURE THE TOP OF THE TIMBERS TOUCH THE BOTTOM OF THE PRE-ASSEMBLED SEATING



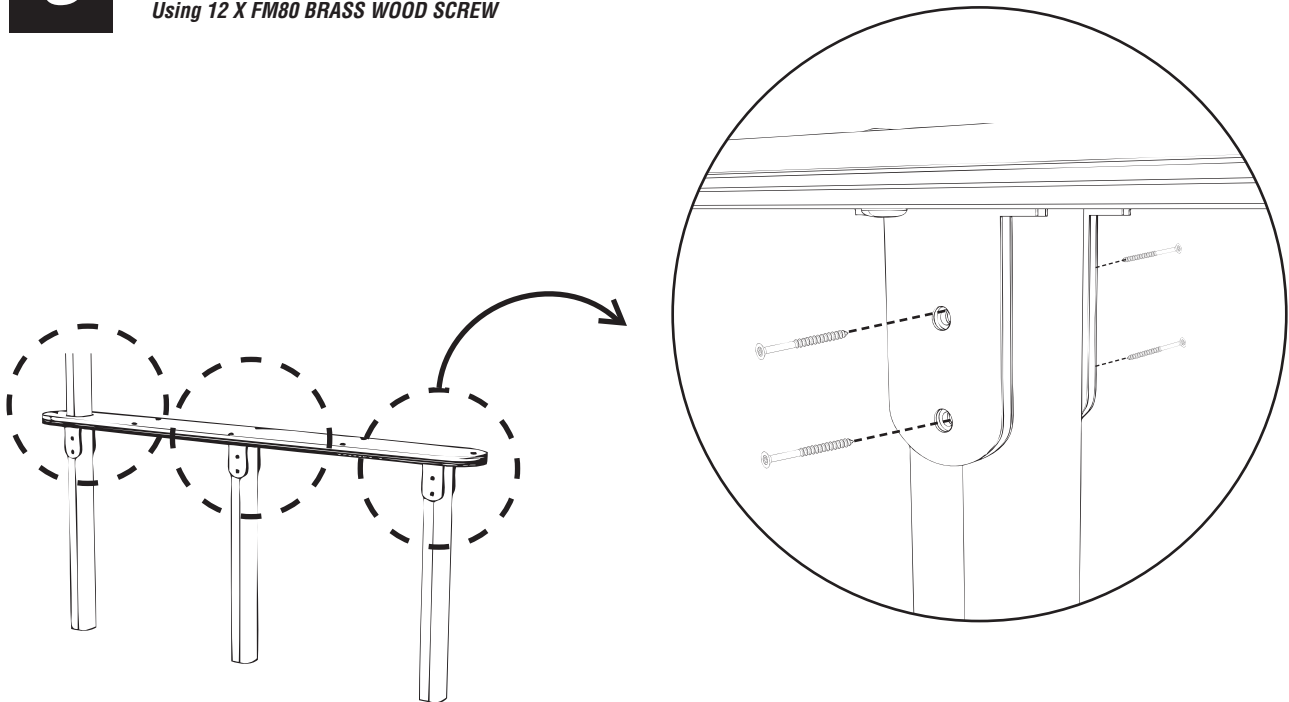
ENSURE THE SEATING IS LEVEL BEFORE FIXING ALL TIMBERS INTO PLACE

Installation Instructions

3

SECURE THE LEGS INTO PLACE

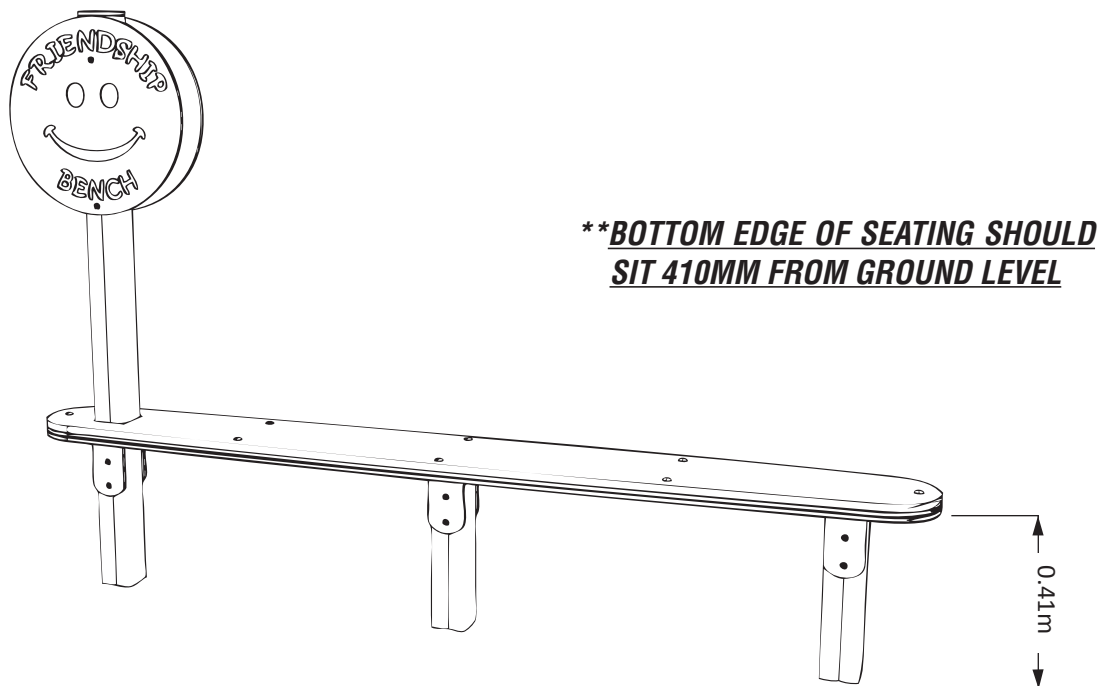
Using 12 X FM80 BRASS WOOD SCREW



4

PUT ASSEMBLED BENCH INTO FOUNDATIONS

AS DETAILED ON PAGE 3



Additional Dimensions

