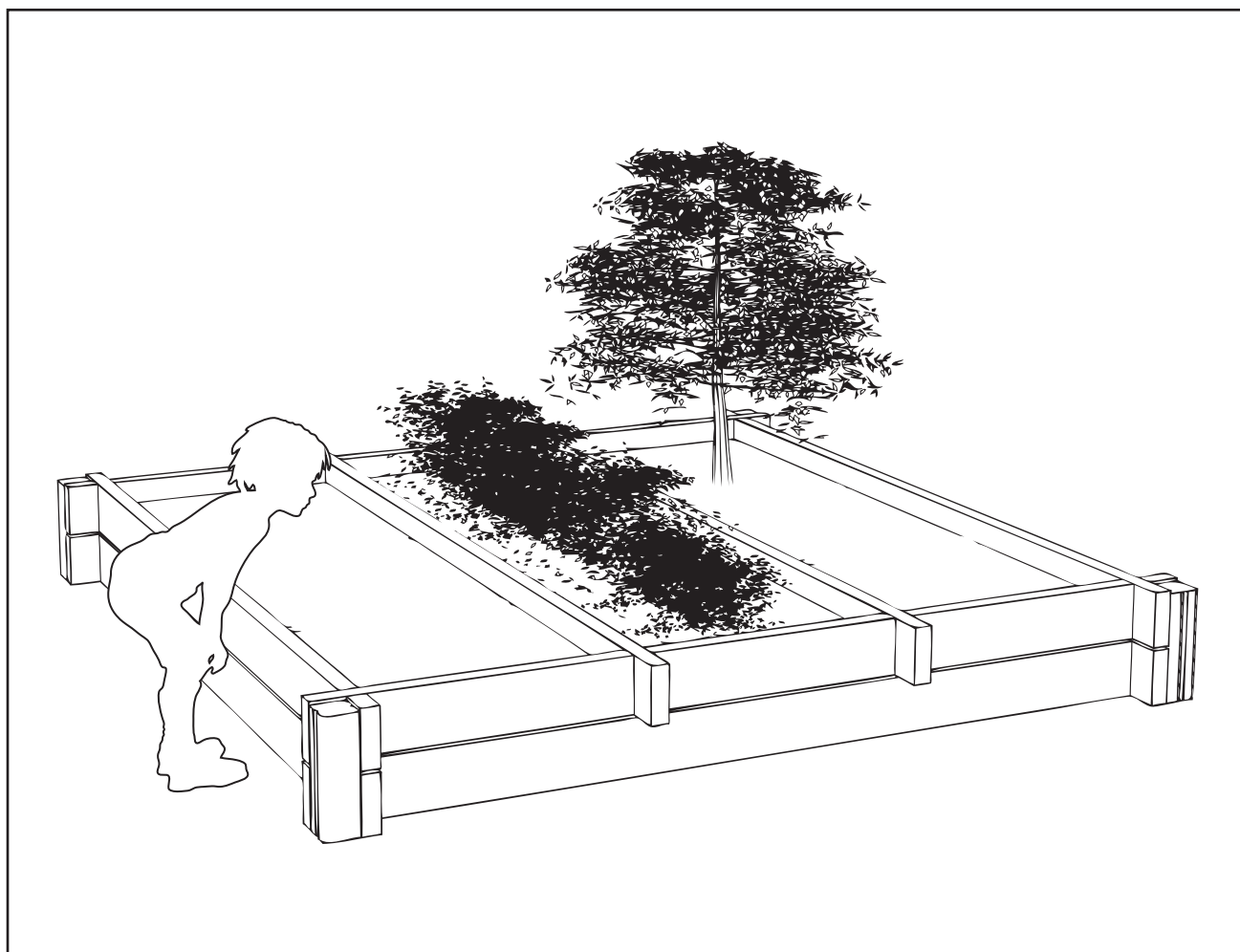


# **ALLOTMENT**

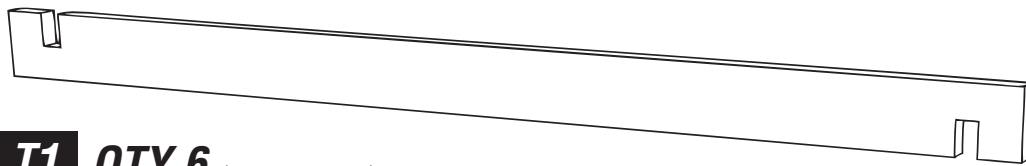
## ***Digging Planter***

### ***Assembly Instructions***

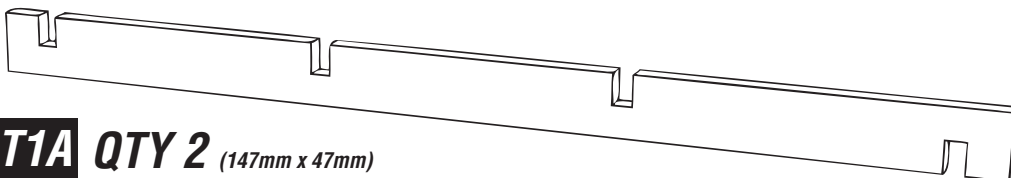
**creative  
play**



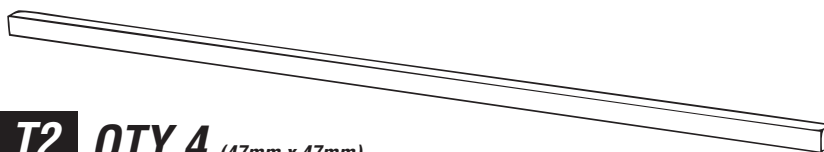
# PARTS required



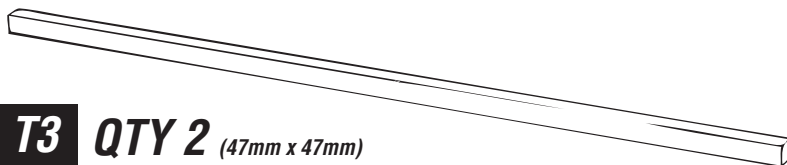
**T1 QTY 6** (147mm x 47mm)



**T1A QTY 2** (147mm x 47mm)



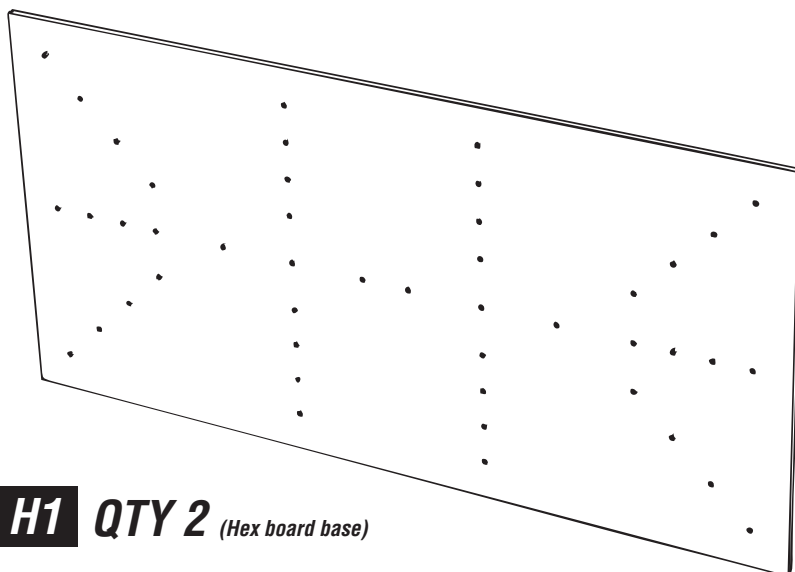
**T2 QTY 4** (47mm x 47mm)



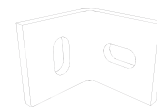
**T3 QTY 2** (47mm x 47mm)



**T4 QTY 4** (90mm x 90mm)



**H1 QTY 2** (Hex board base)



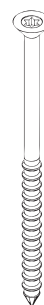
**x8** (angle cleats/brackets)



**x38** (40mm brass screws)



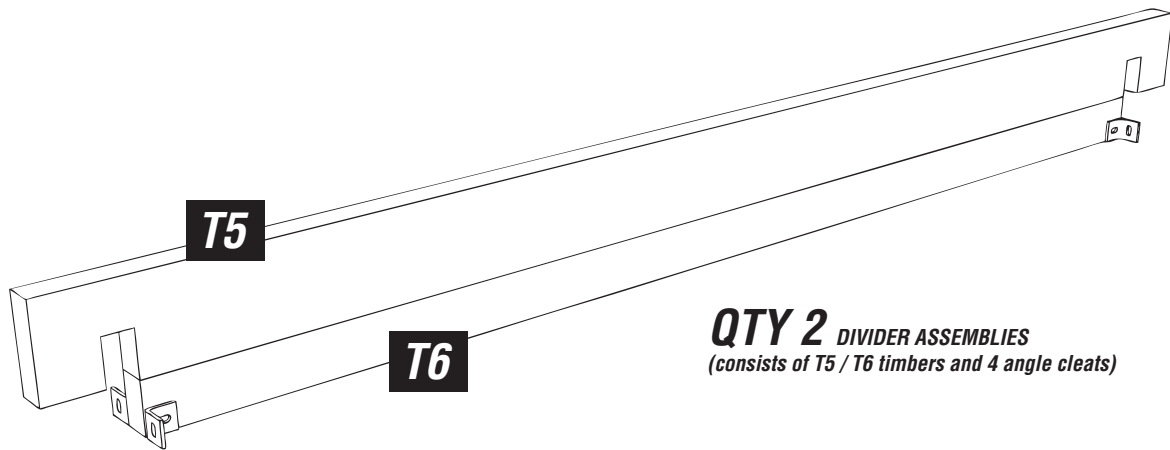
**x20** (80mm brass screws)



**x44** (120mm brass screws)

# ***PARTS required***

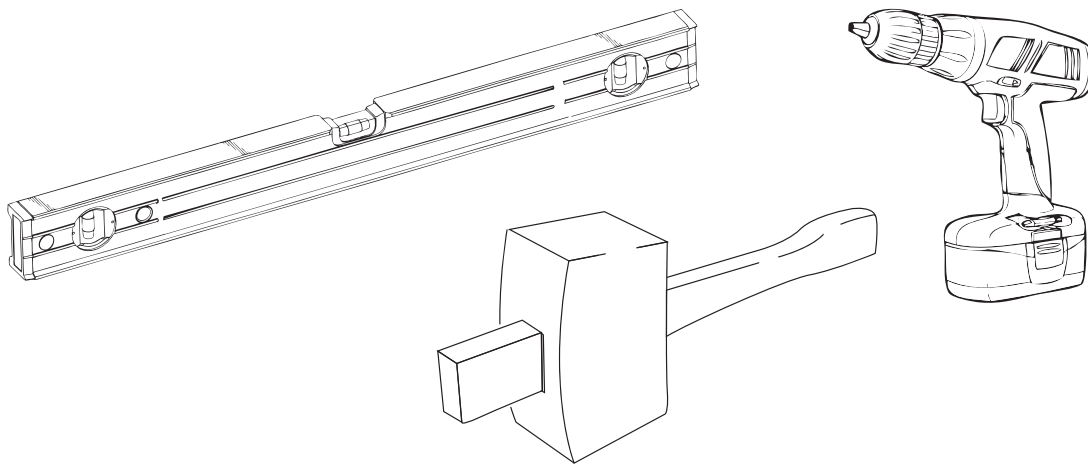
---



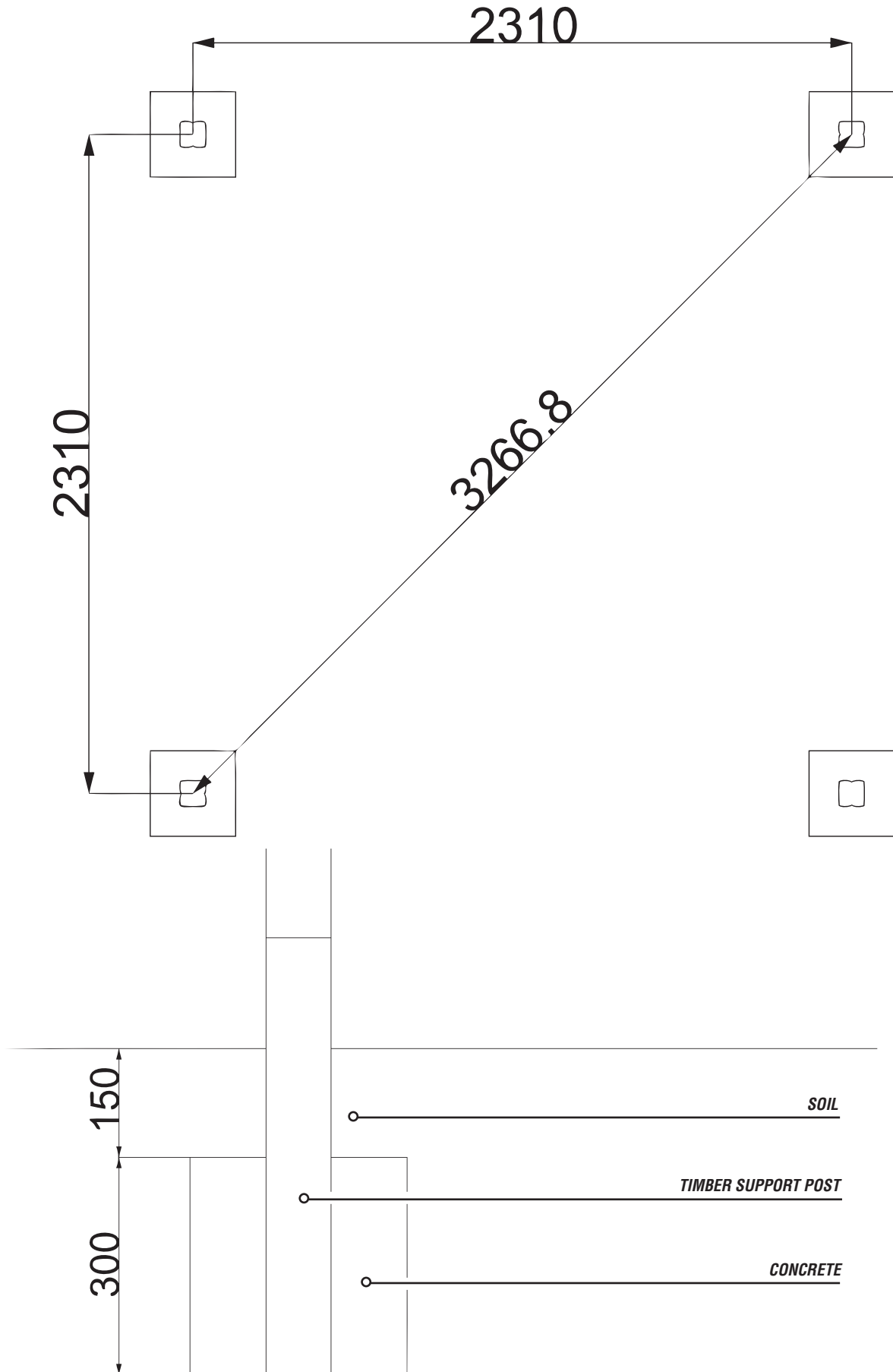
**QTY 2** DIVIDER ASSEMBLIES  
(consists of T5 / T6 timbers and 4 angle cleats)

# ***TOOLS required***

---



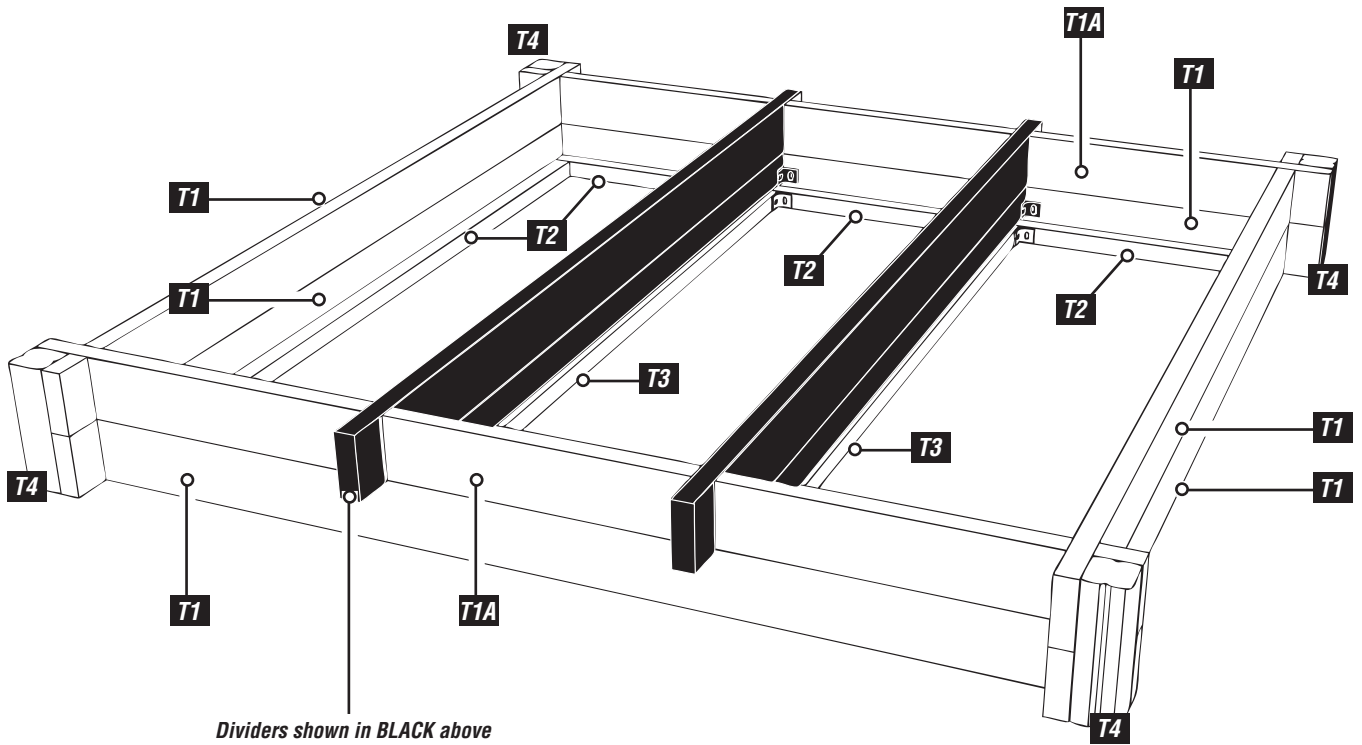
# Foundation Details



# Assembly Instructions

**1**

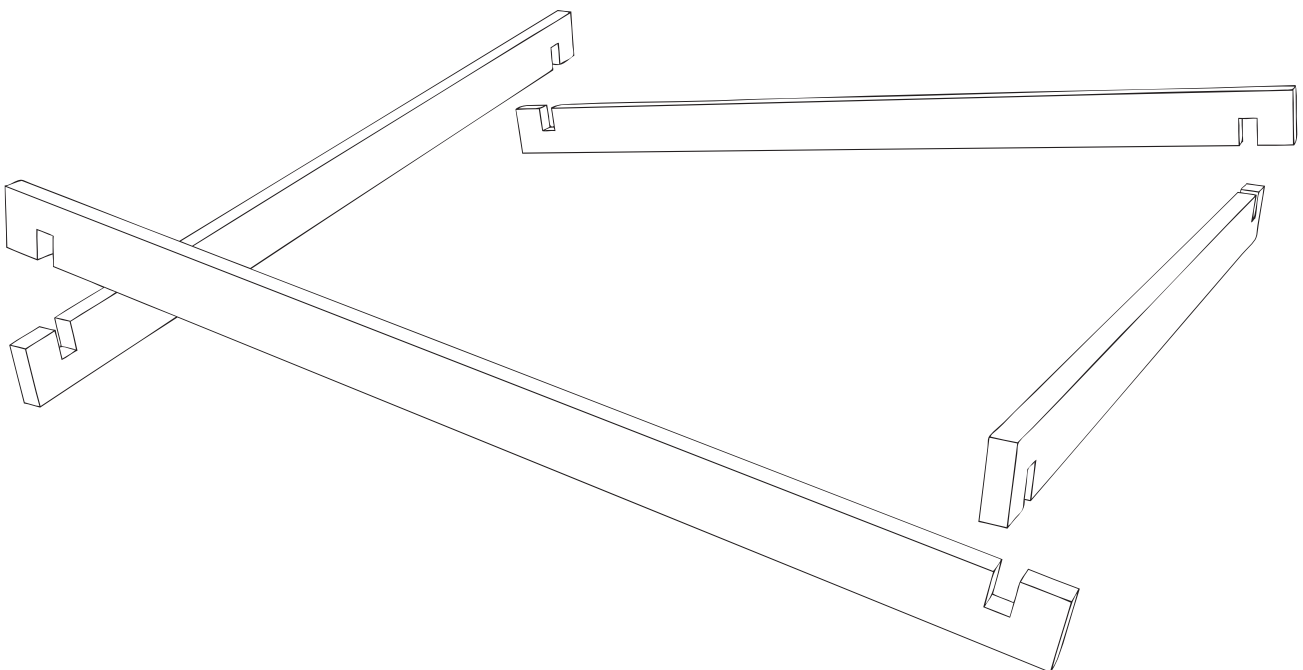
**Digging Planter to be pre-assembled UP TO STEP 8**  
**Installation on site jump to this step**



**2**

**Assembly the first RING**

Using 4 x T1 timbers

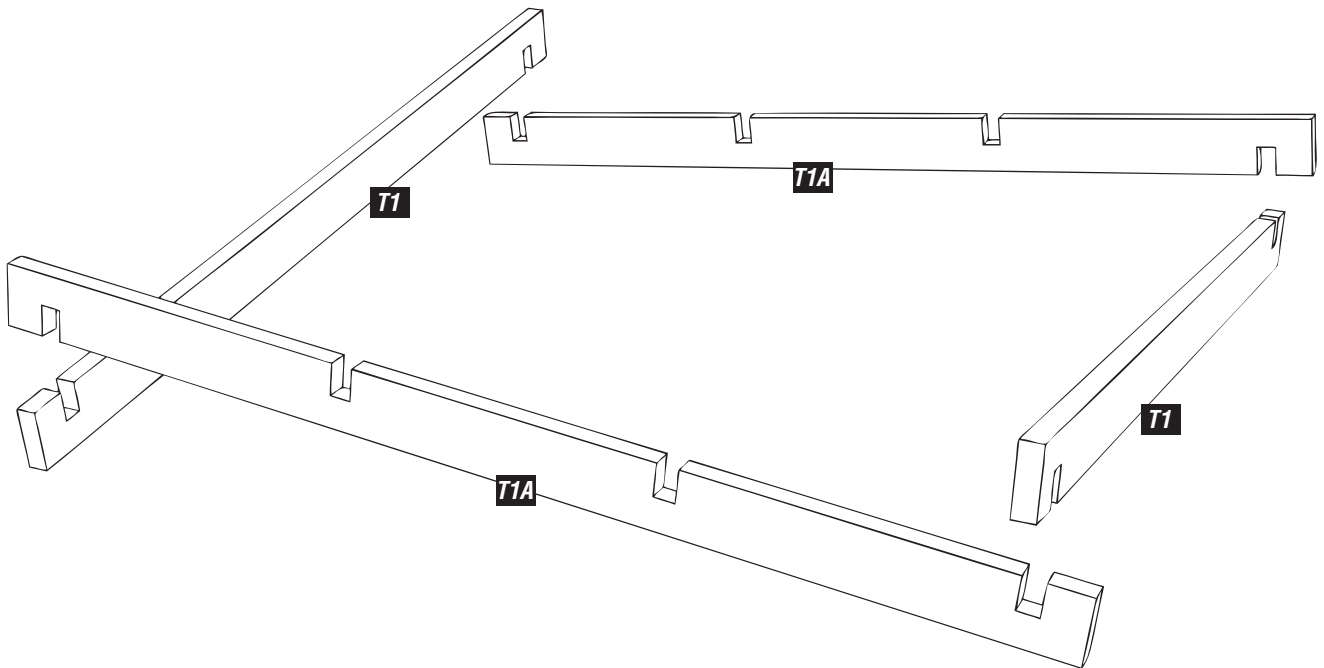


# Assembly Instructions

**3**

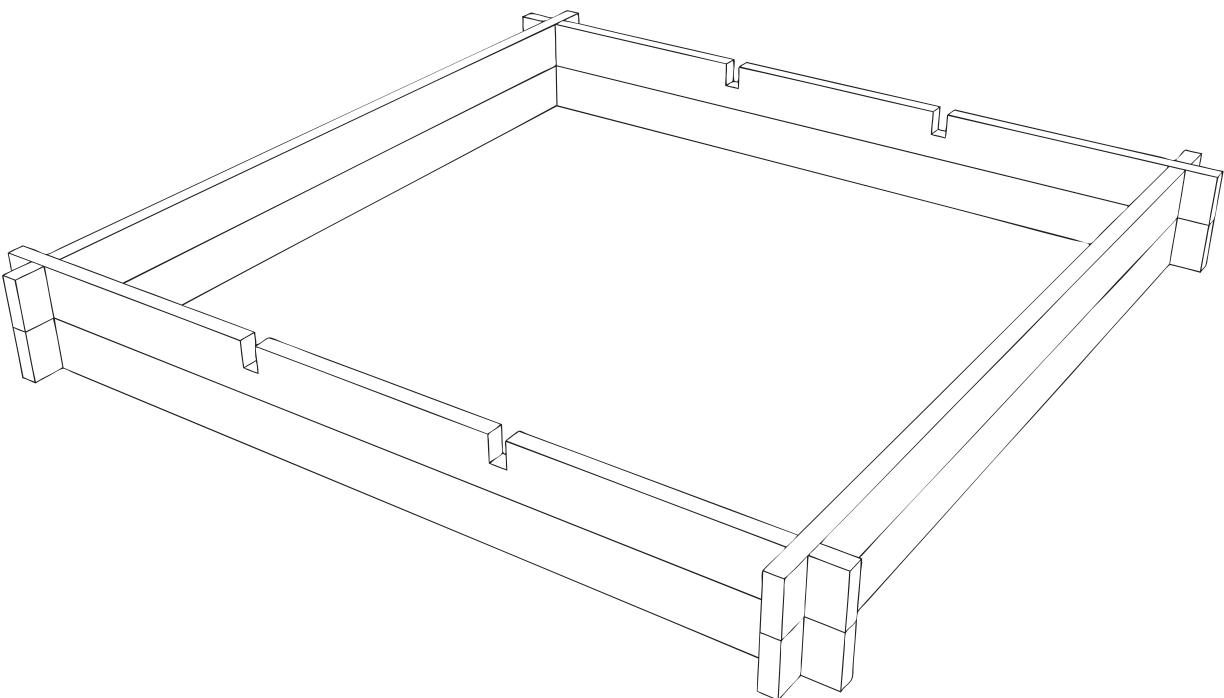
## Assemble the second ring

Using the remaining T1 timbers & T1A timbers



**4**

The 2 ring are to be positioned as shown below

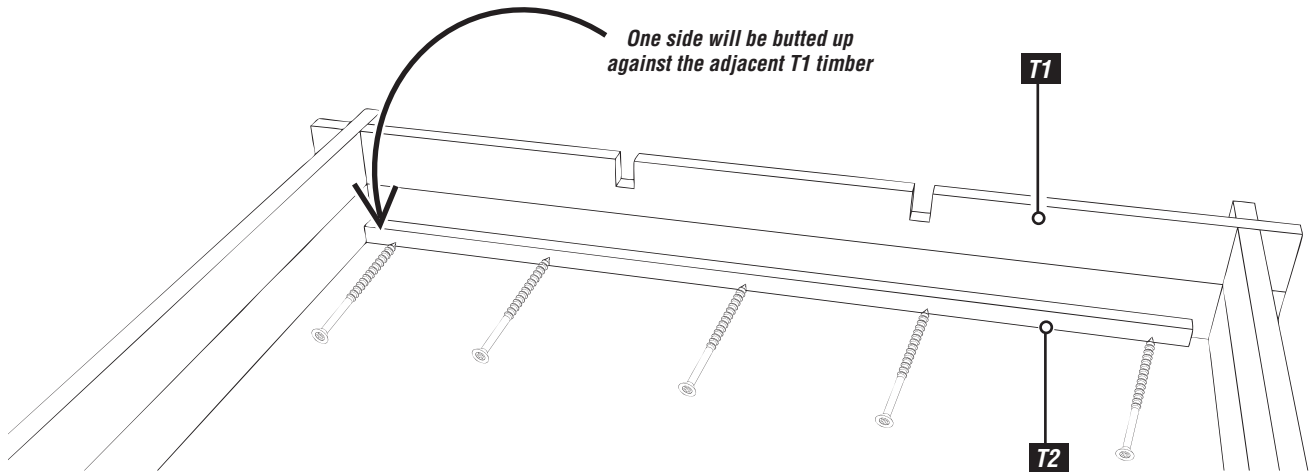


# Assembly Instructions

**5**

## Screw T2 timbers (floor support) to the lower T1 ring

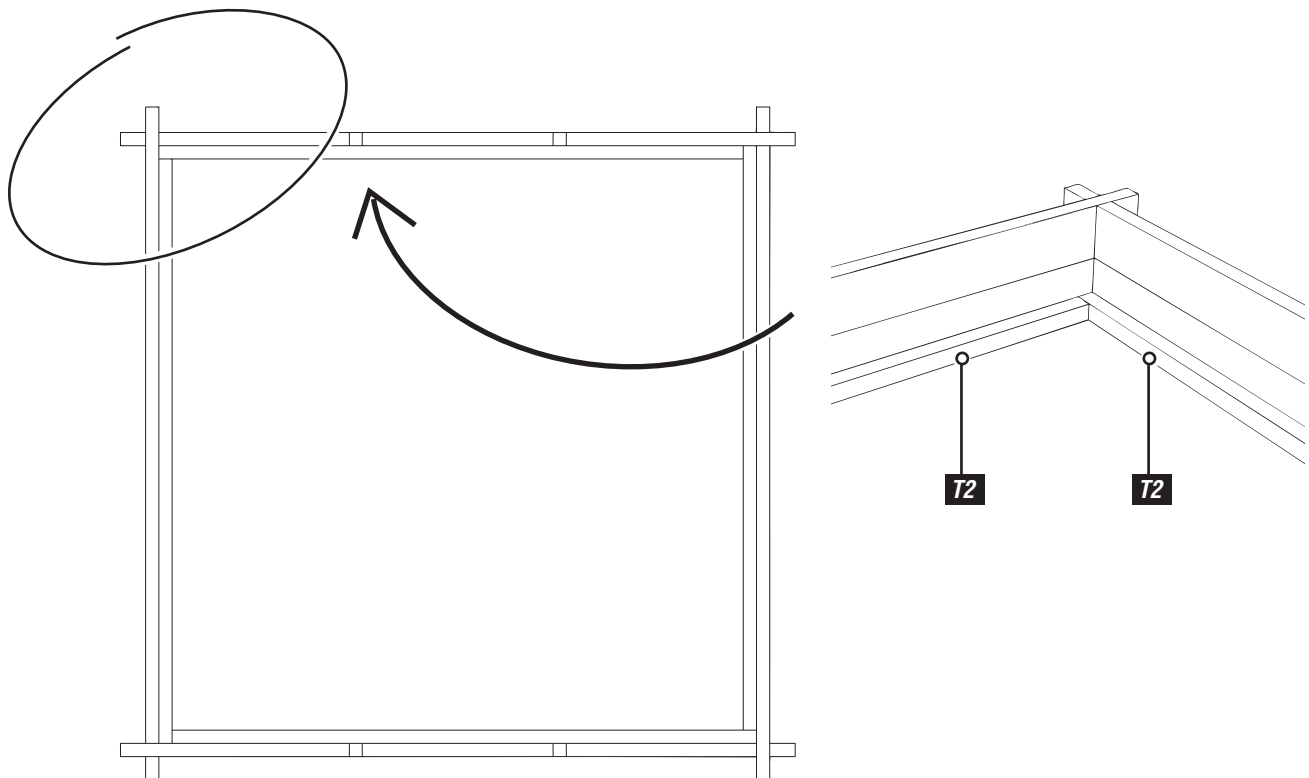
Using 80mm brass screws (5 per T2 timber)



**6**

## Attach the remaining T2 timbers

Using 80mm brass screws

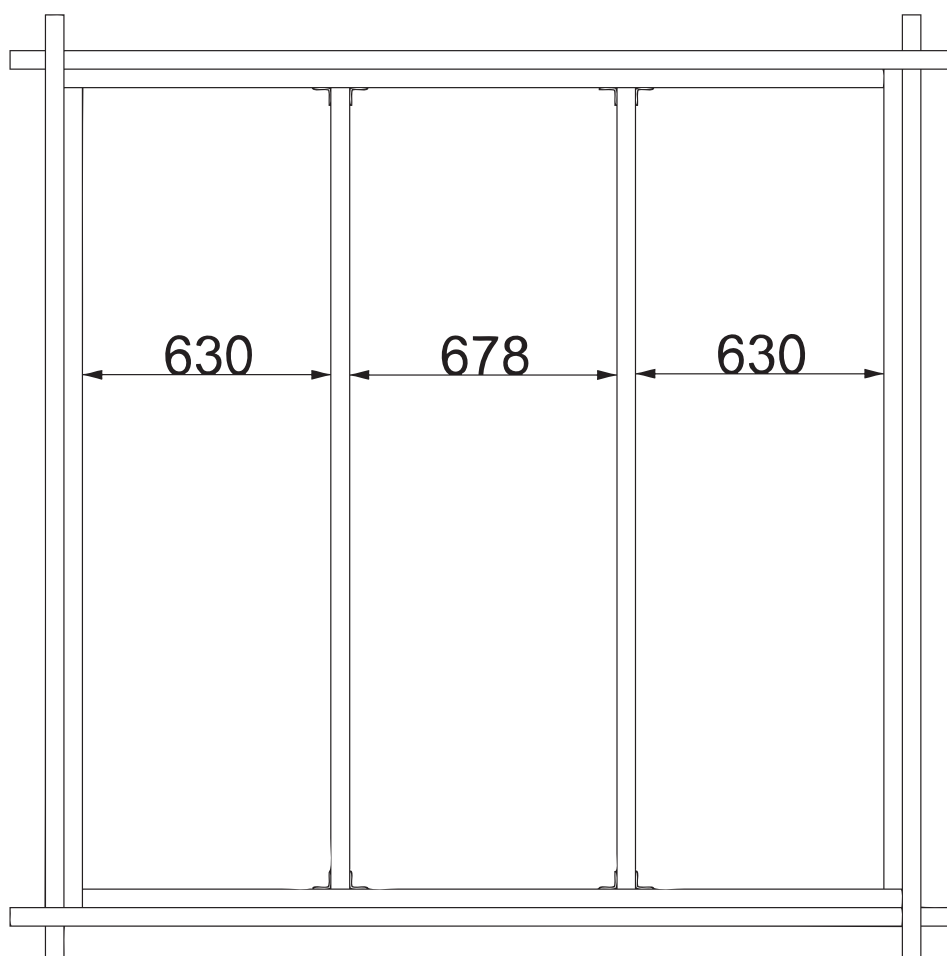
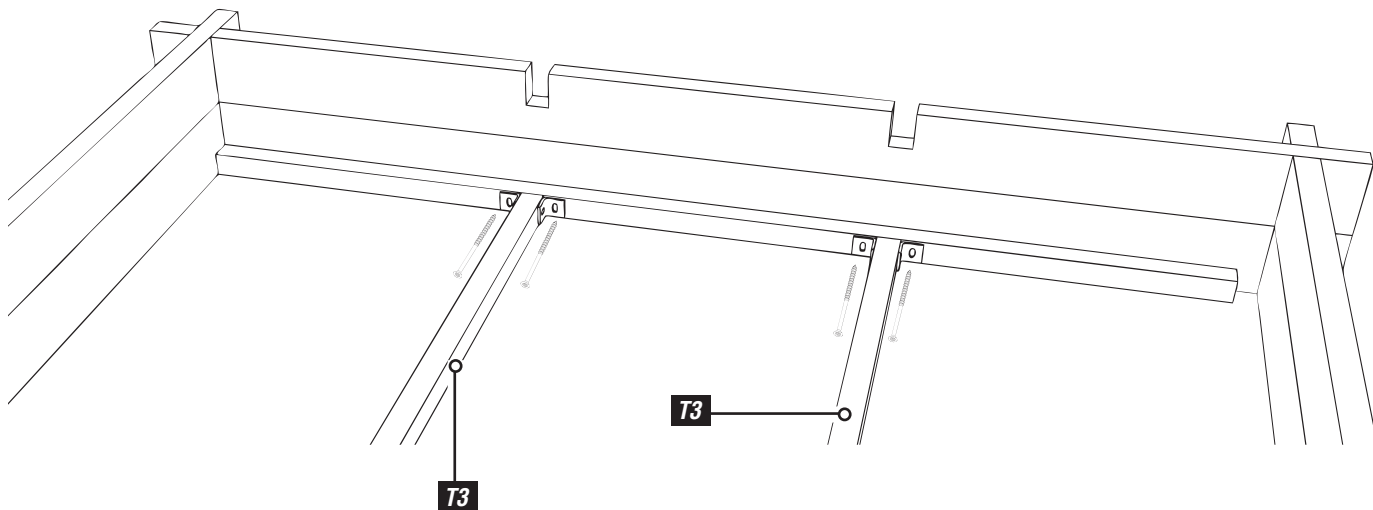


# Assembly Instructions

**7**

## Screw T3 timbers to the T2 timbers & T1 lower ring

Using 40mm / 120mm brass screws & angle cleats (use 40mm brass screws to attach angle cleats to T3 timbers)





# Assembly Instructions

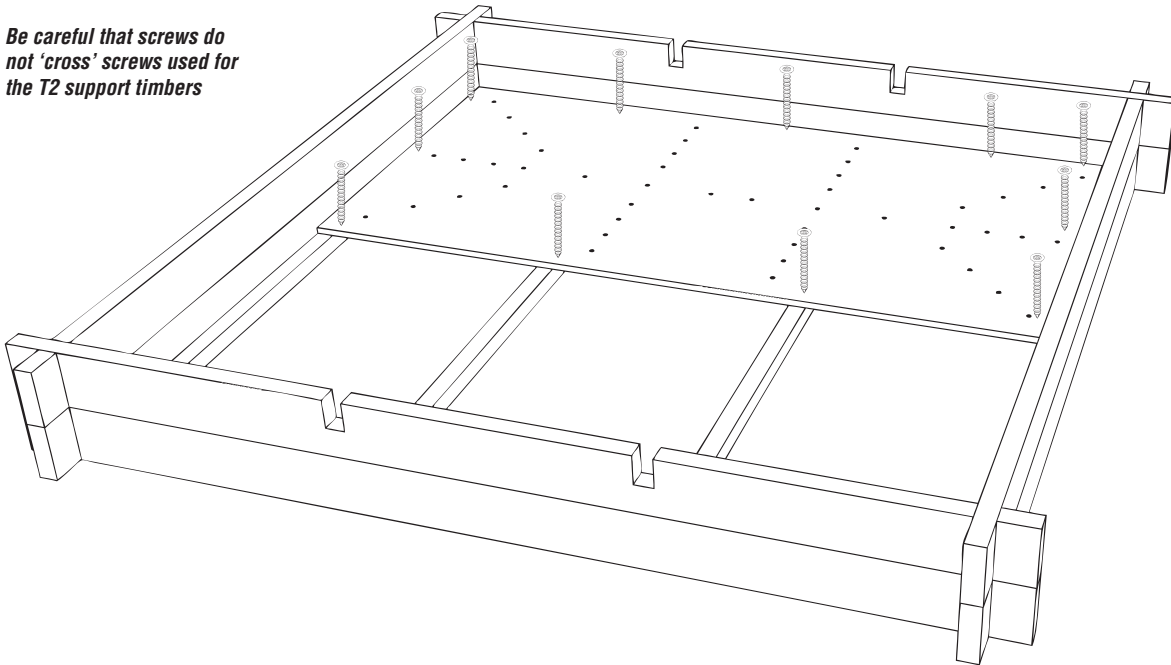
**8**

## Screw H1 (floor section) to the T2 timbers

Using 11 x 40mm brass screws

...Repeat for the second floor section

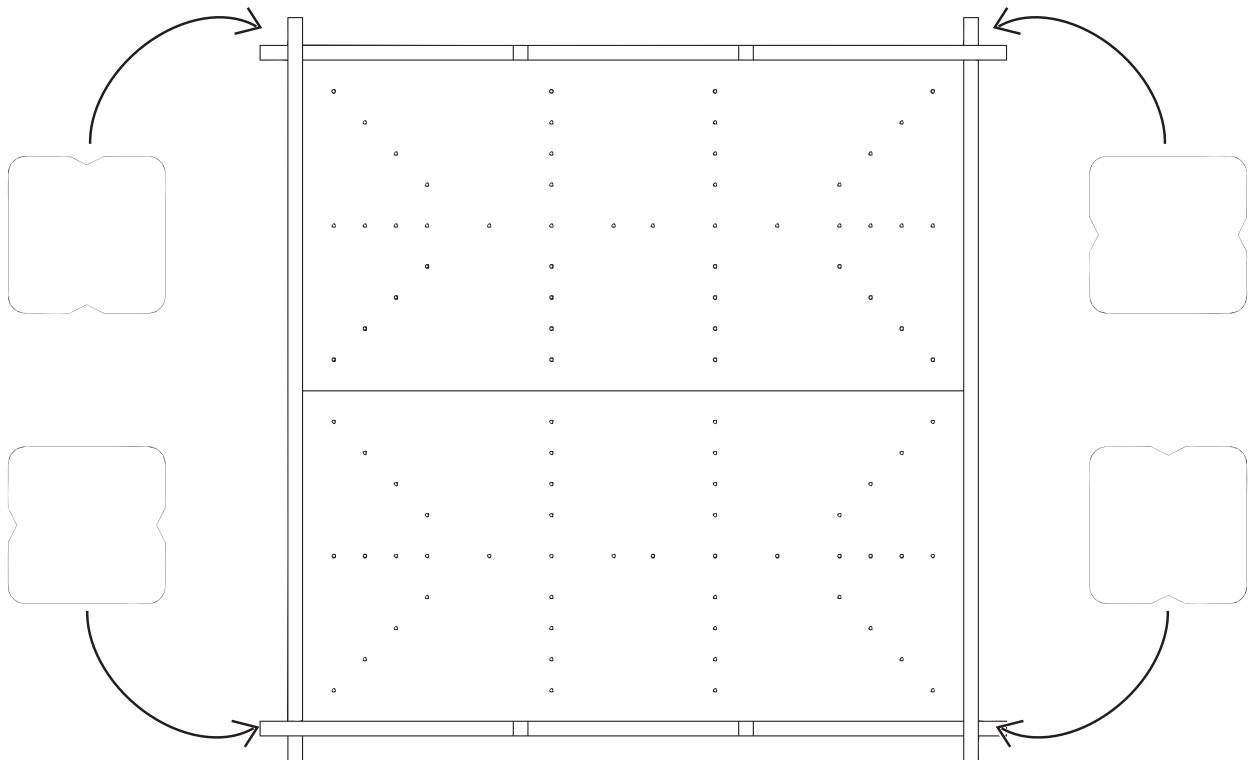
Be careful that screws do not 'cross' screws used for the T2 support timbers



**9**

## Attach the Assembly with floor & upper ring to the T4 timbers

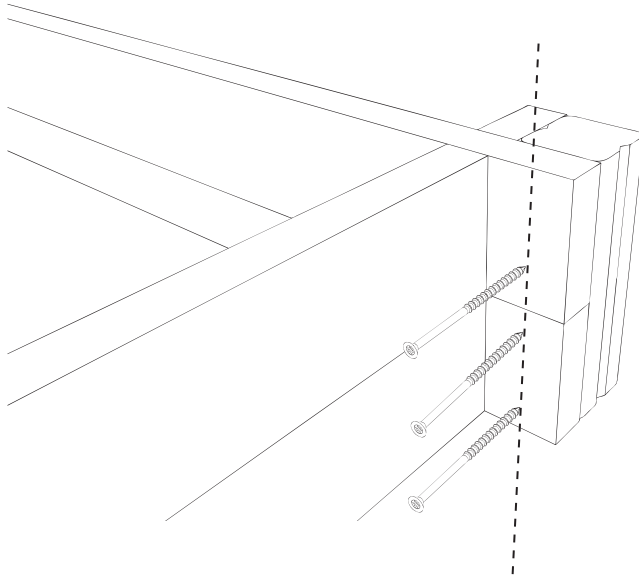
Using 120mm brass screws



# Assembly Instructions

**10**

**Screw the T1 'rings to the T4 timbers as shown**

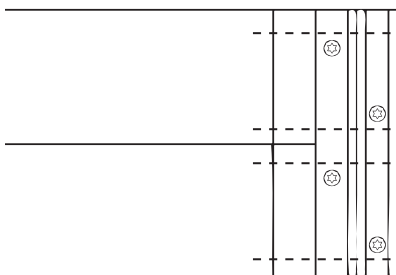
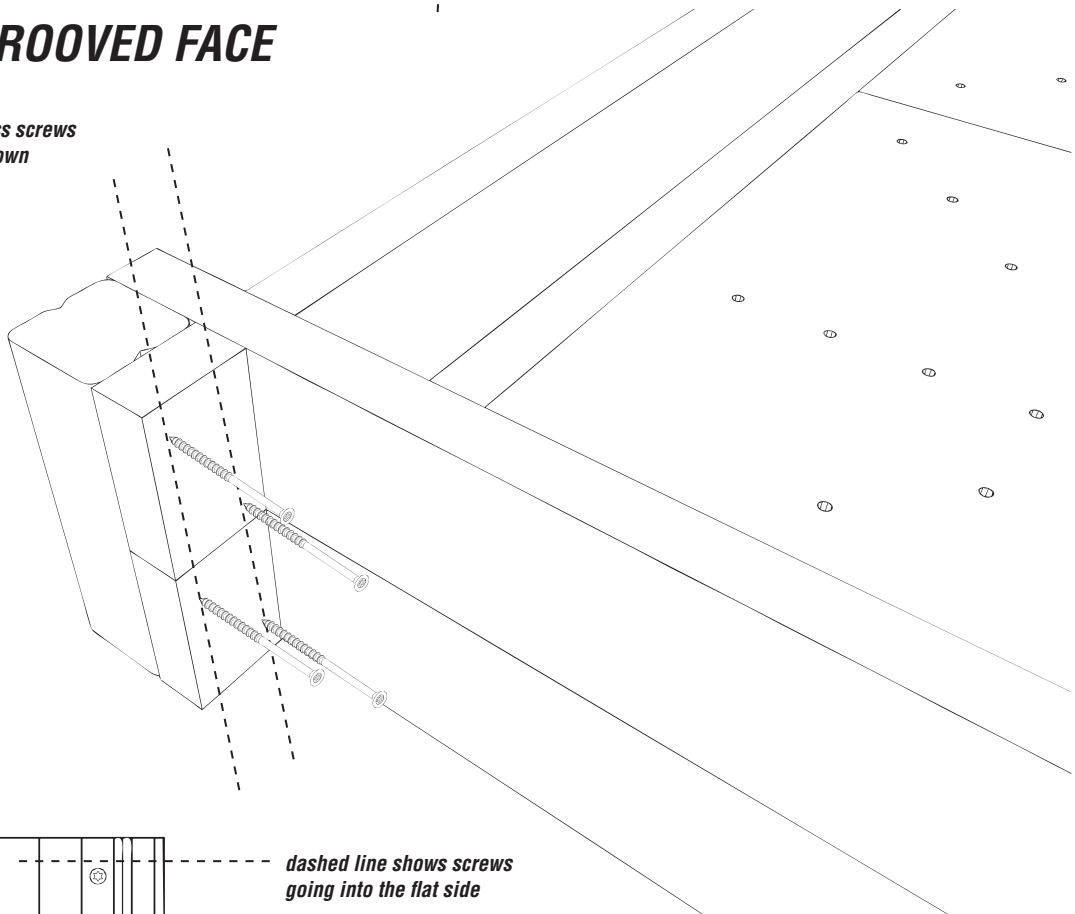


**SCREWING INTO FLAT FACE**  
OF T4 timbers

- use 4 x 120mm brass screws
- Screw in the centre as shown

**SCREWING INTO GROOVED FACE**  
OF T4 timbers

- use 4 x 120mm brass screws
- Offset screws as shown



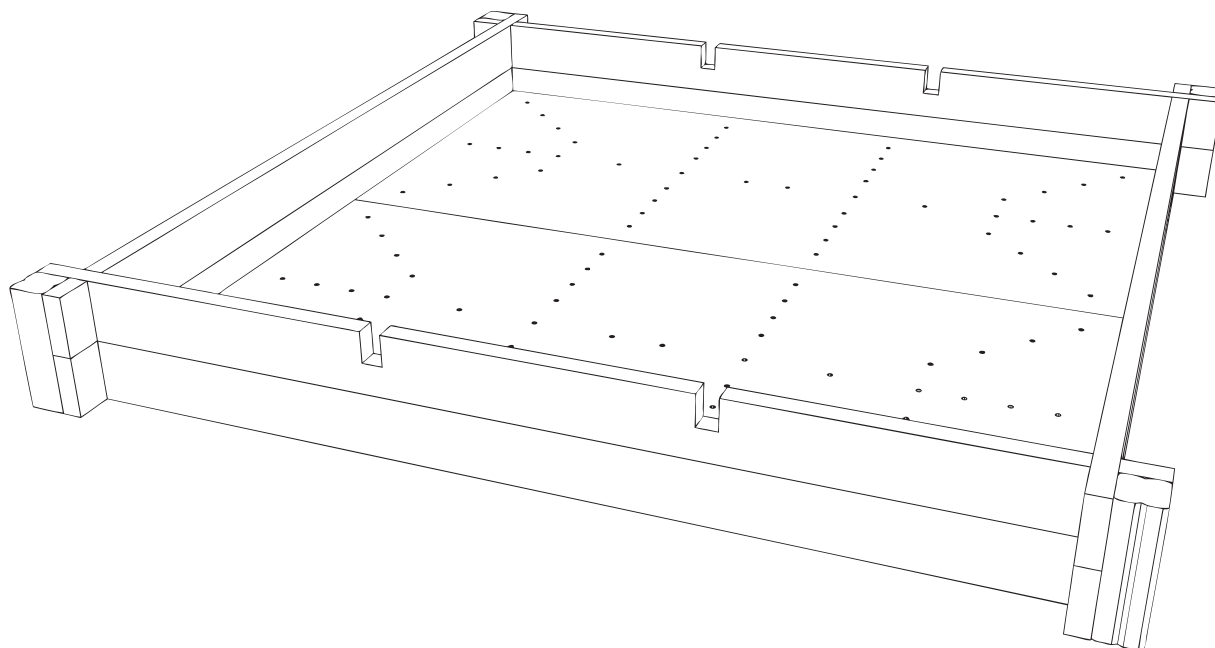
dashed line shows screws  
going into the flat side

(screws into grooved side  
sit 'inside')

# Assembly Instructions

**11**

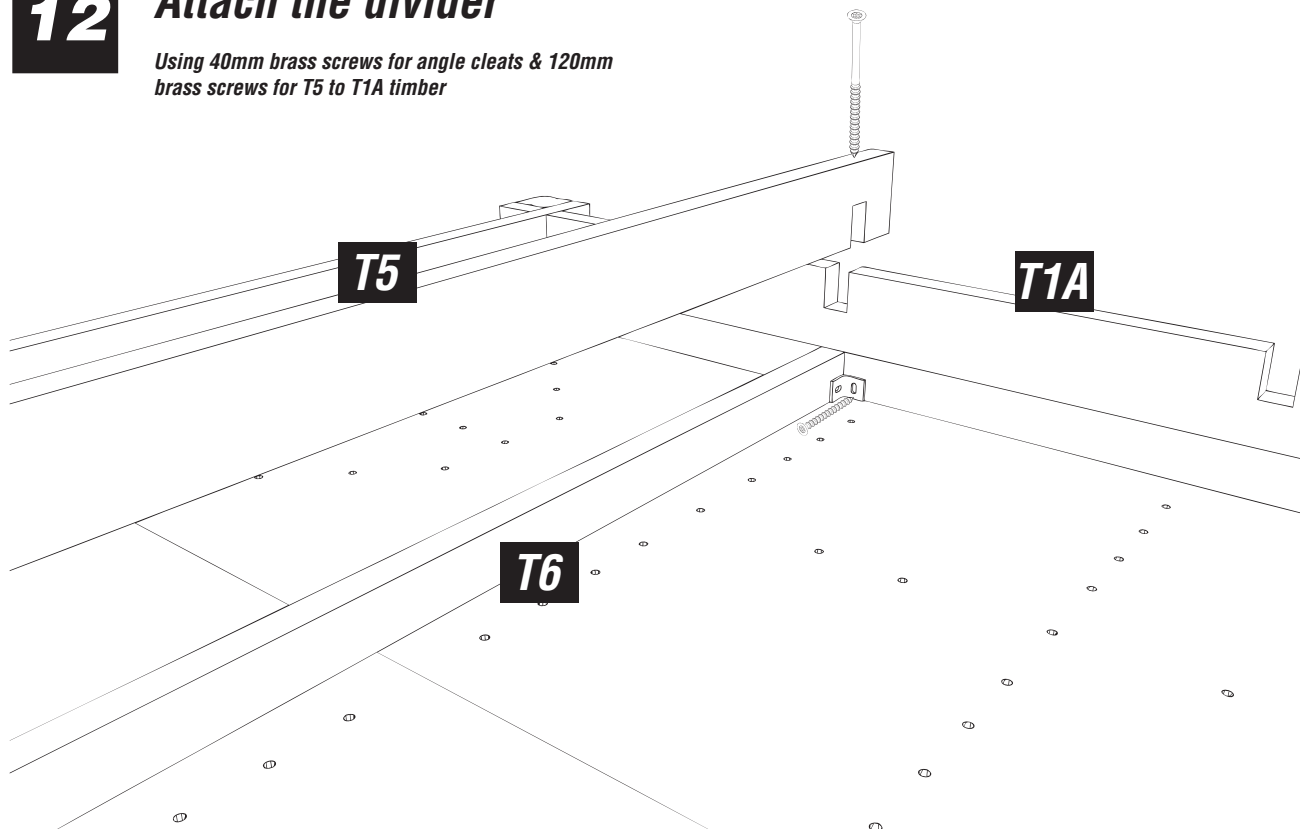
**Main assembly complete**



**12**

**Attach the divider**

Using 40mm brass screws for angle cleats & 120mm brass screws for T5 to T1A timber



# Assembly Instructions

---

**13**

*Repeat for the second divider*

