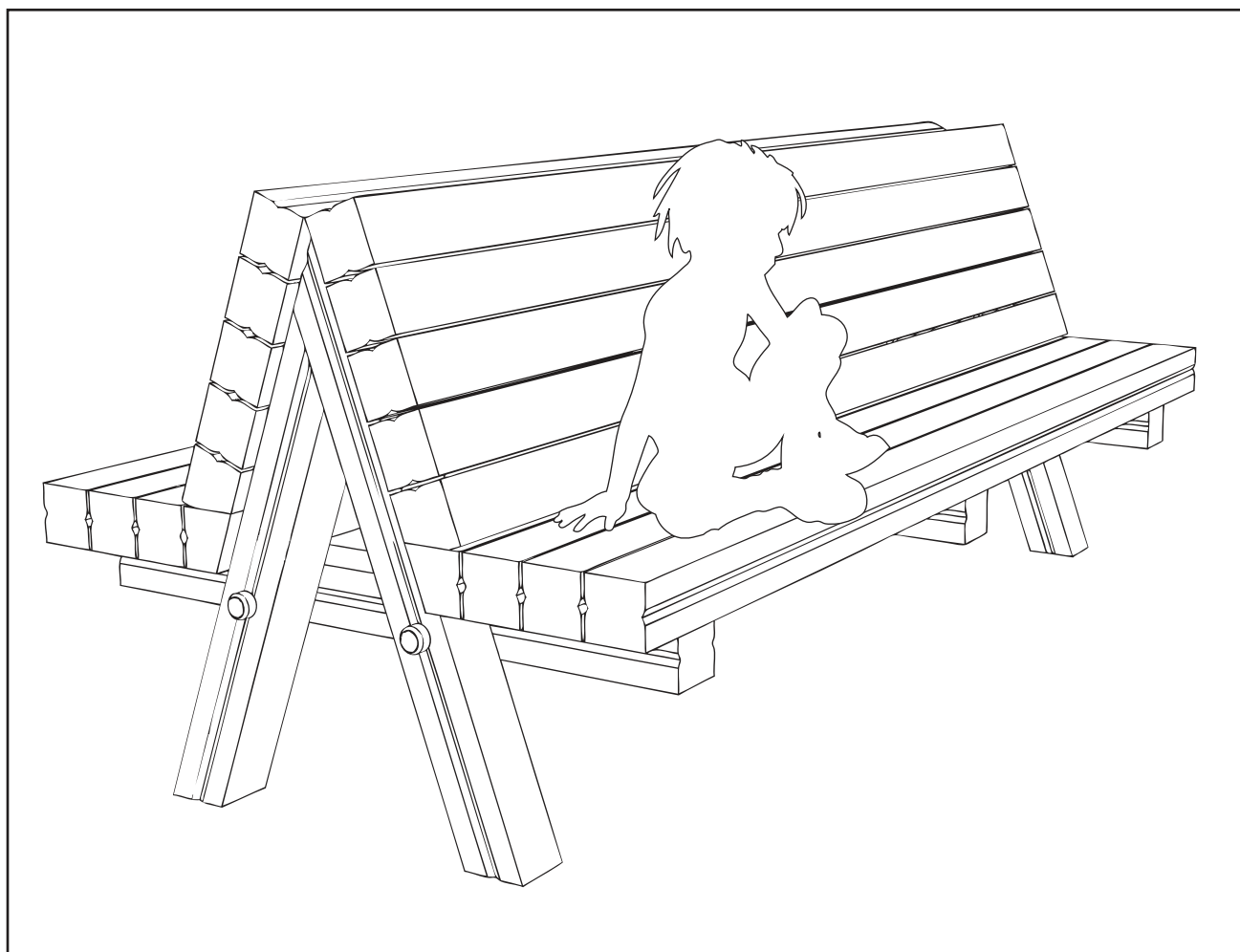


A-FRAME BENCH

Assembly Instructions

**creative
play**



IMPORTANT - REQUIRES CONCRETE FOUNDATIONS

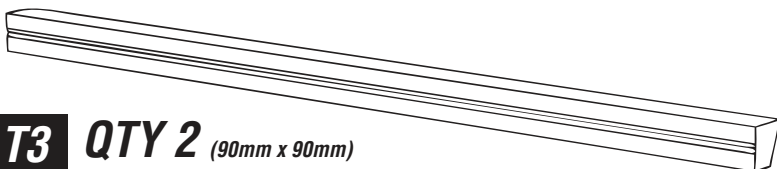
PARTS required



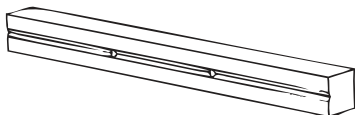
T1 QTY 14 (90mm x 90mm)



T2 QTY 2 (90mm x 90mm)



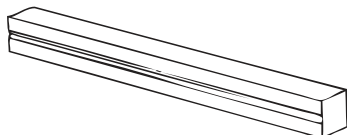
T3 QTY 2 (90mm x 90mm)



T4a QTY 2 (90mm x 90mm)



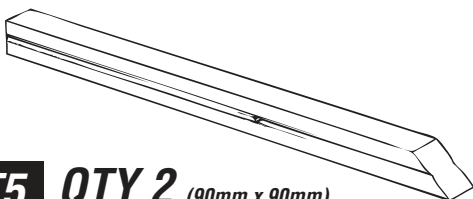
x2 (80mm brass screws)



T4b QTY 1 (90mm x 90mm)



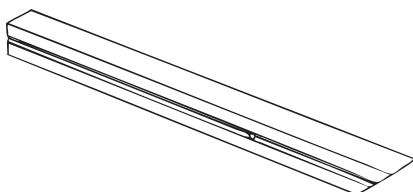
x44 (120mm brass screws)



T5 QTY 2 (90mm x 90mm)



x4 (M12 200 cup square hex)



T6 QTY 2 (90mm x 90mm)

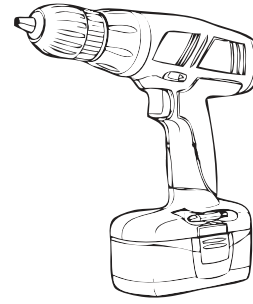
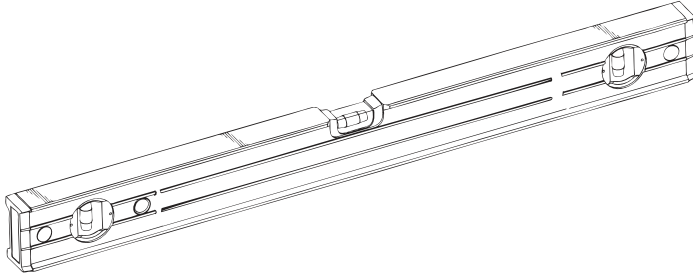


x4 (End Caps)

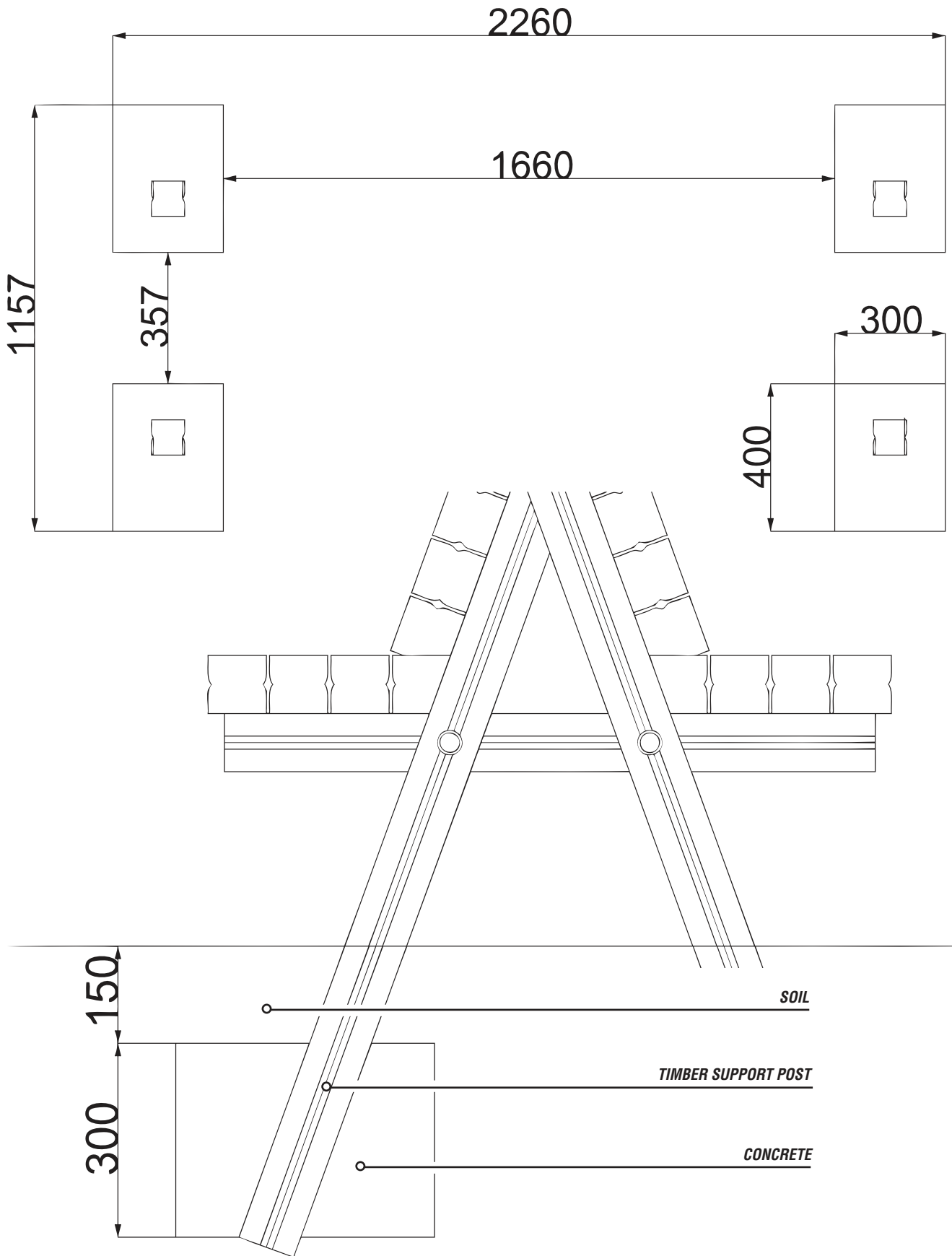


x4 (Nylocs)

TOOLS required



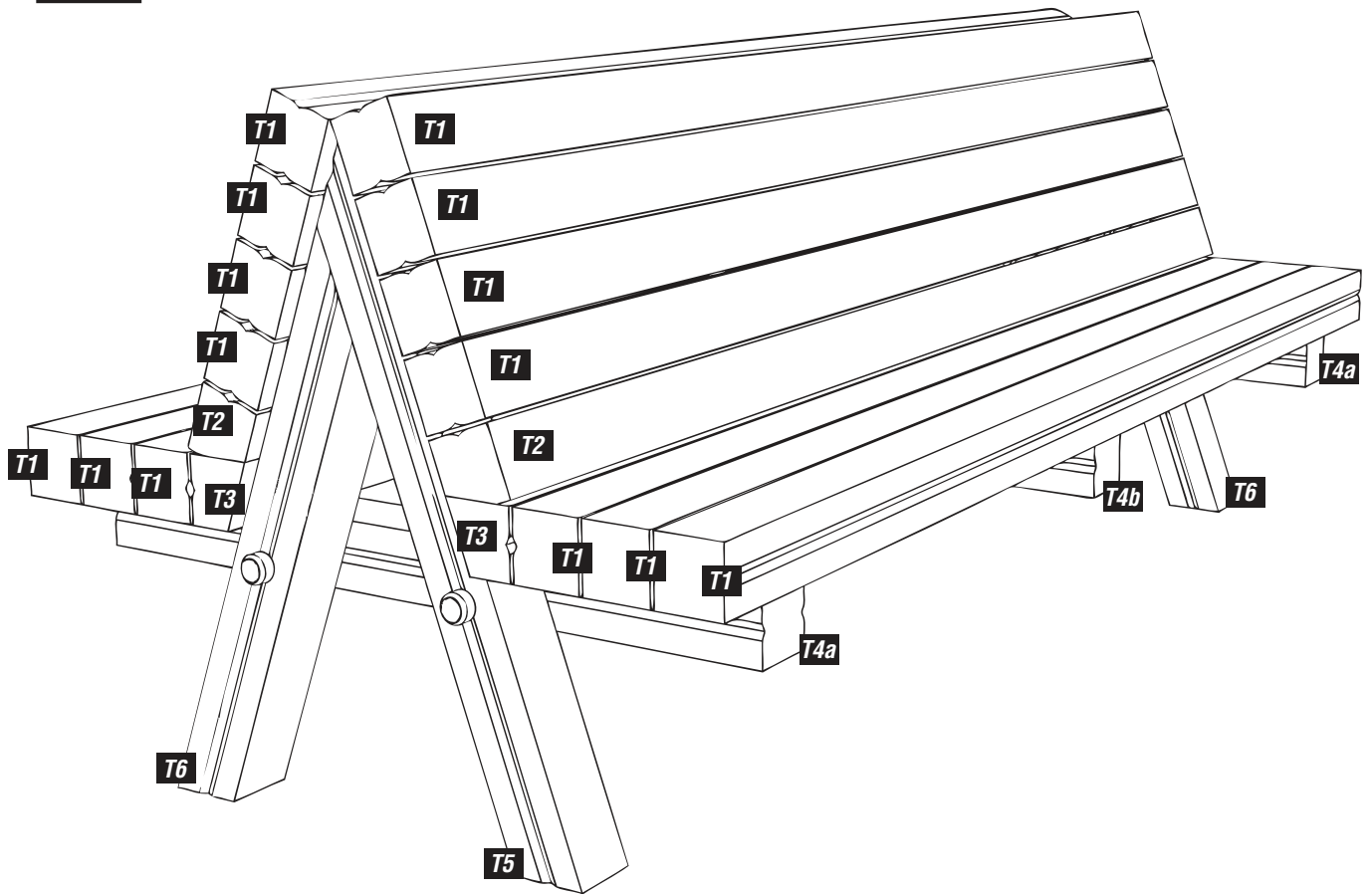
Foundation Details



Assembly Instructions

1

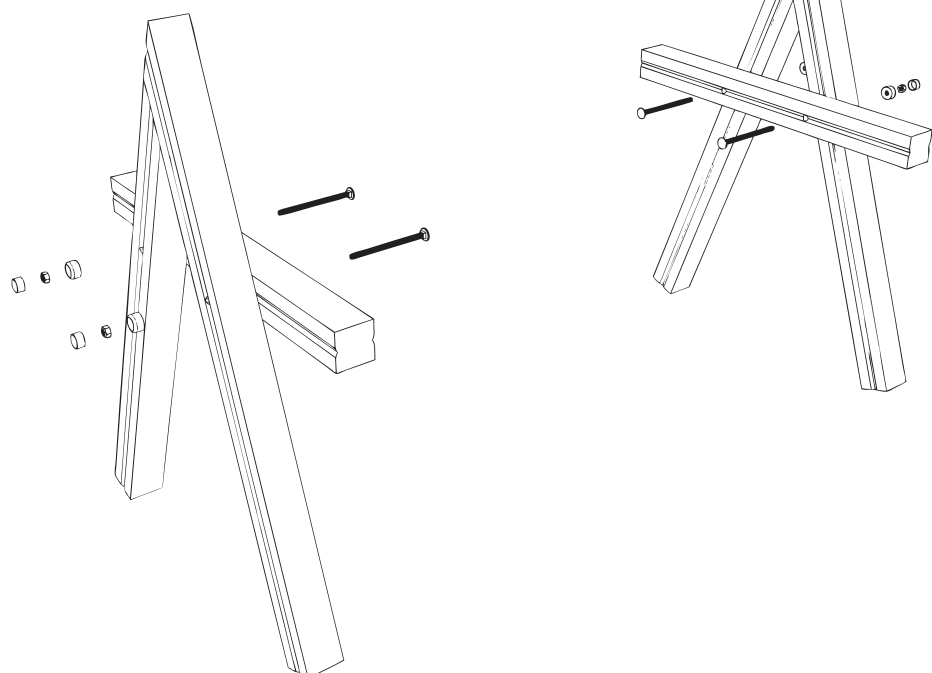
If the bench IS pre-assembled INSTALL as per FOUNDATION DETAILS



2

Attach T5 & T6 timbers to the T4a TIMBERS

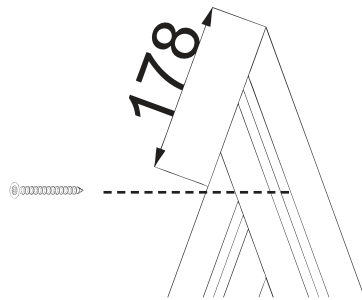
Using M12 200 cup square hex bolts, nylocs and end caps



Assembly Instructions

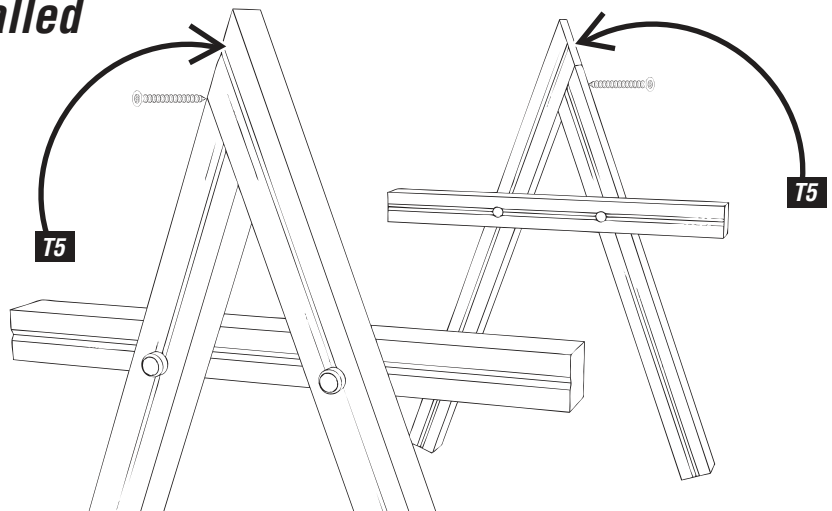
3

Ensure they installed as shown



Screw the T6 to the T5 using 80mm brass screw

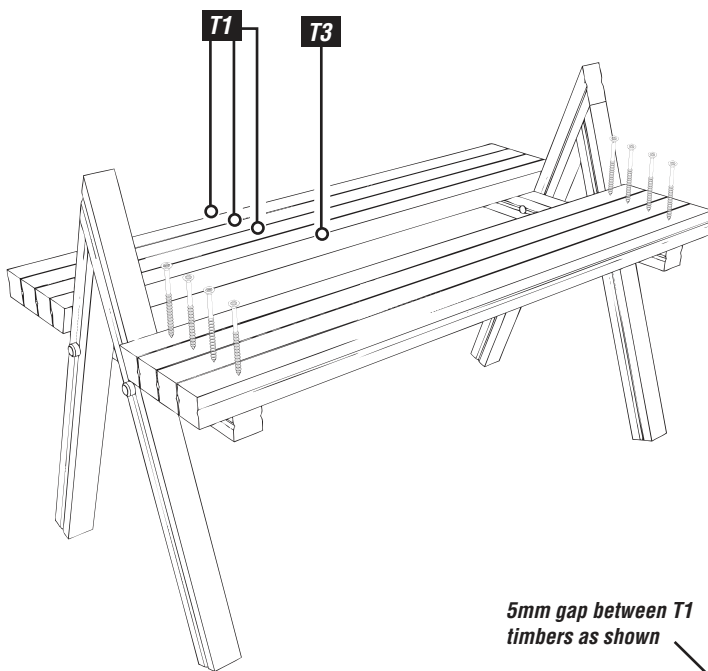
**MUST be 178mm away from top edge*



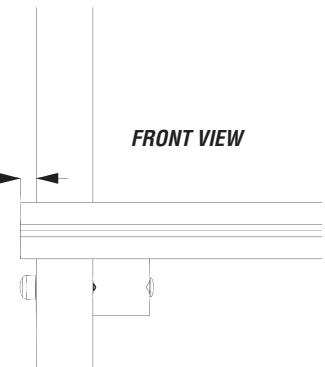
4

Attach the T1 & T3 SEAT SLATS

Using 120mm brass screws



25 FRONT VIEW



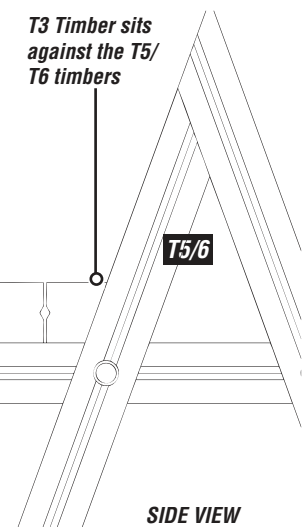
T3 Timber sits against the T5/T6 timbers

5mm gap between T1 timbers as shown

5

25

Attach the T3 timbers FIRST then the T1 timbers
- Use 2 screws for each slat
- Ensure the screws are uniform and screw in to the centre of the T4 timber



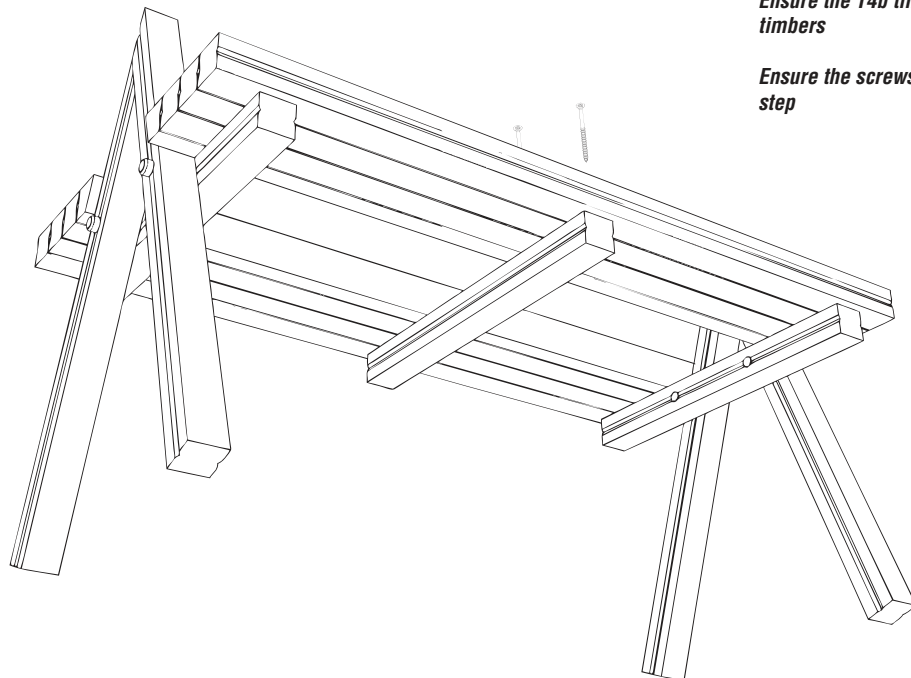
SIDE VIEW

Assembly Instructions

5

Attach the T4b timber

Using 120mm brass screw



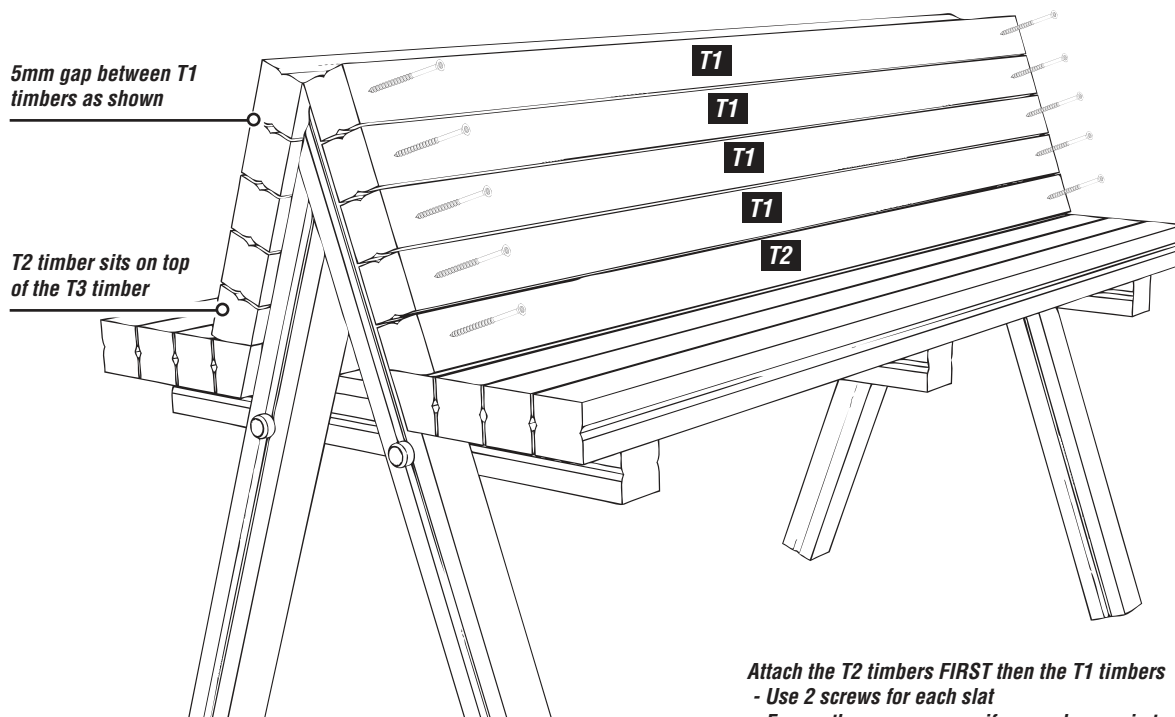
Ensure the T4b timber is positioned in the centre of the T1 timbers

Ensure the screws are in line with those in the previous step

6

Attach the remaining T1 timbers & T2 timbers

Using 120mm brass screws



5mm gap between T1 timbers as shown

T2 timber sits on top of the T3 timber

Attach the T2 timbers FIRST then the T1 timbers

- Use 2 screws for each slat

- Ensure the screws are uniform and screw in to the centre of the T5/6 timber