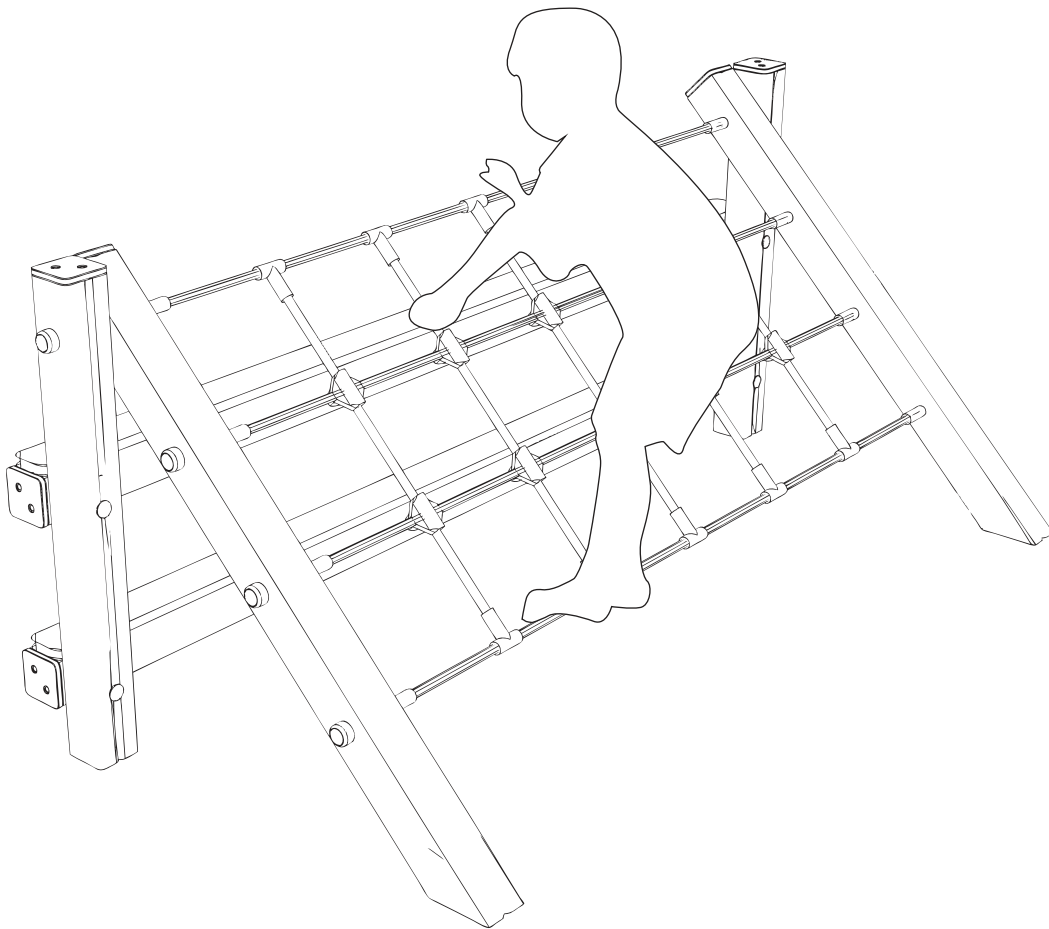


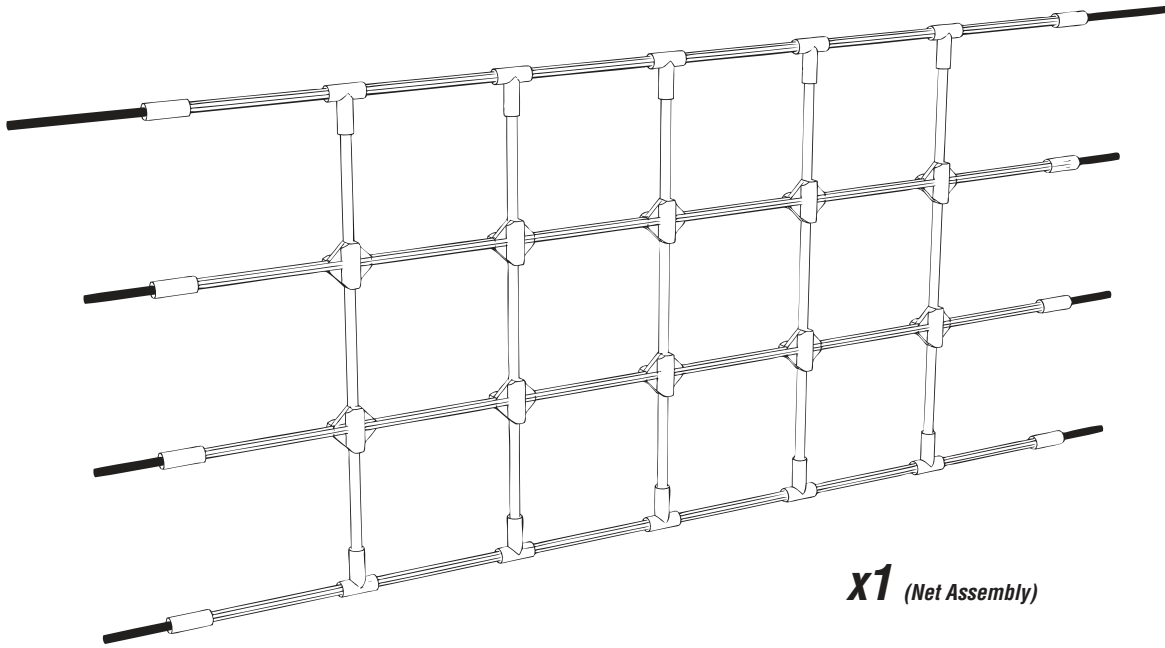
MINI CLIMBING NET

Assembly + Installation Instructions

**creative
play**

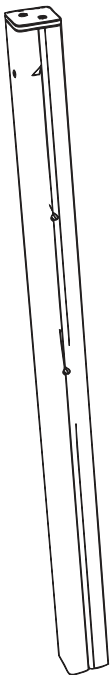


PARTS required

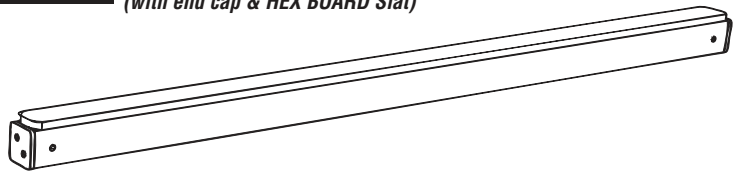


x1 (Net Assembly)

MCN1 x2 90mm x 90mm
(with end cap)



MCN3 x2 90mm x 90mm
(with end cap & HEX BOARD Slat)



x4 (M12 190 cup square hex)



x12 (M12 Nylocs)



x12 (End Caps)

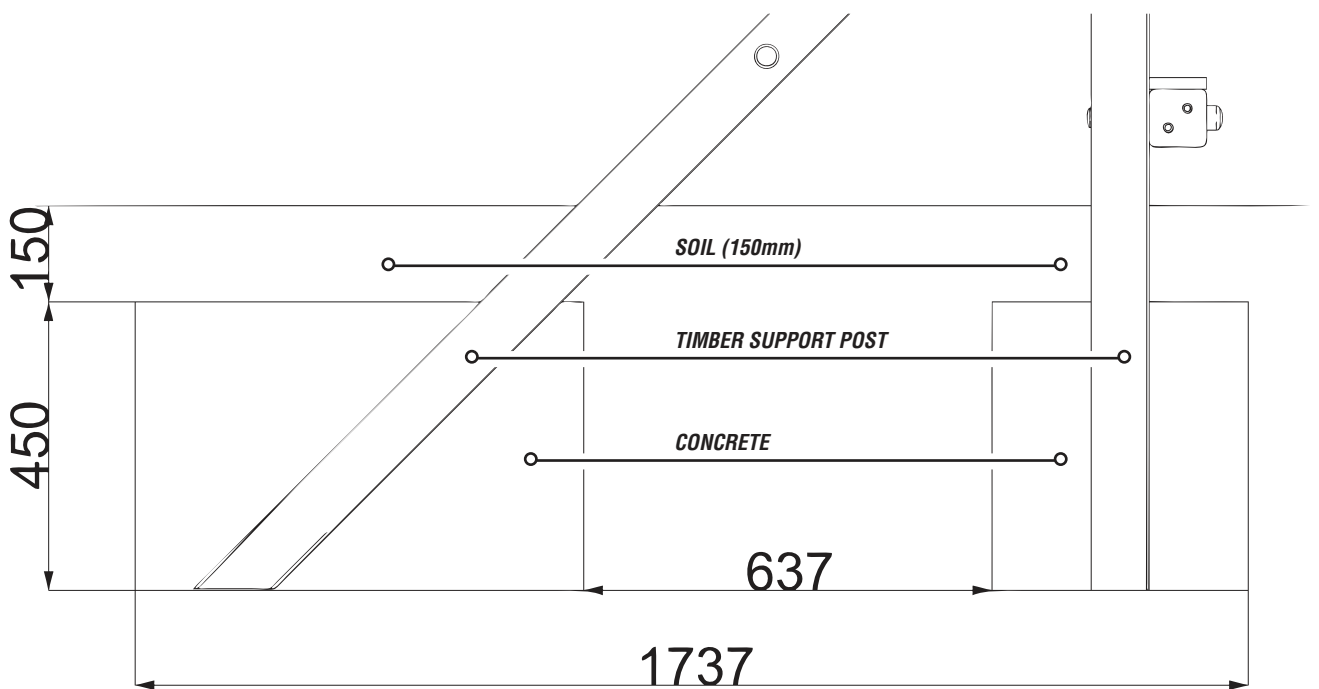
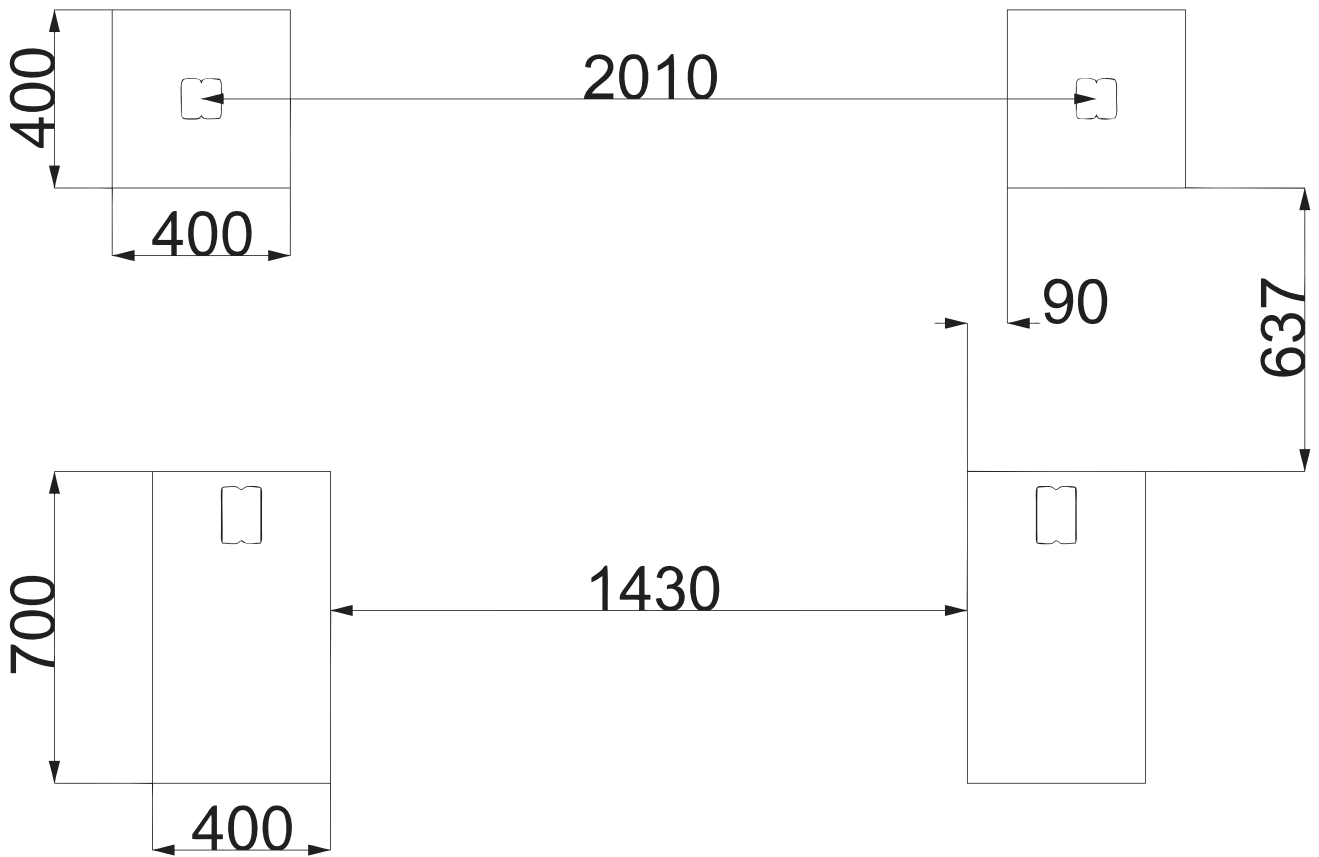


MCN2 x2 90mm x 90mm
(with end cap & ANGLE CUT END)

TOOLS required



Foundation Details

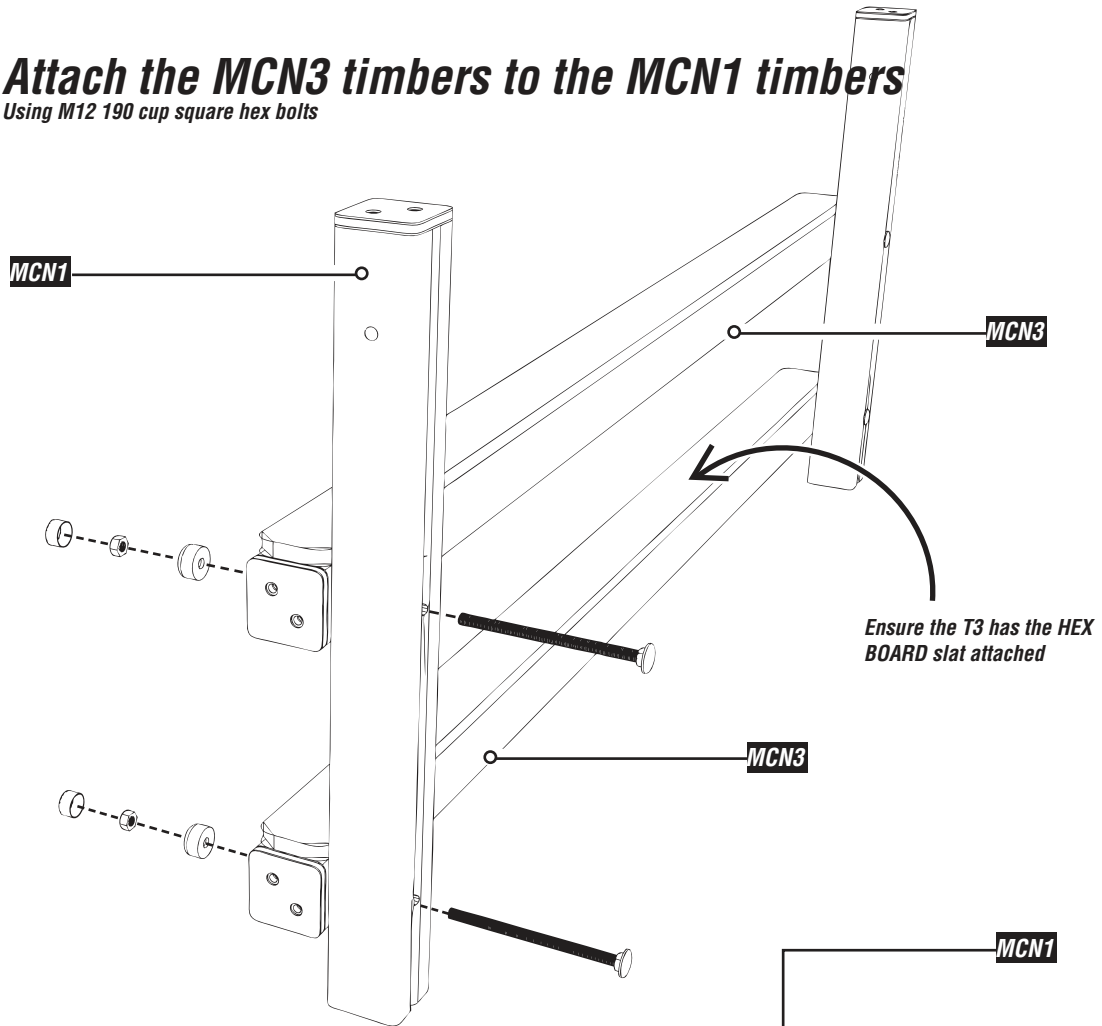


Assembly Instructions

1

Attach the MCN3 timbers to the MCN1 timbers

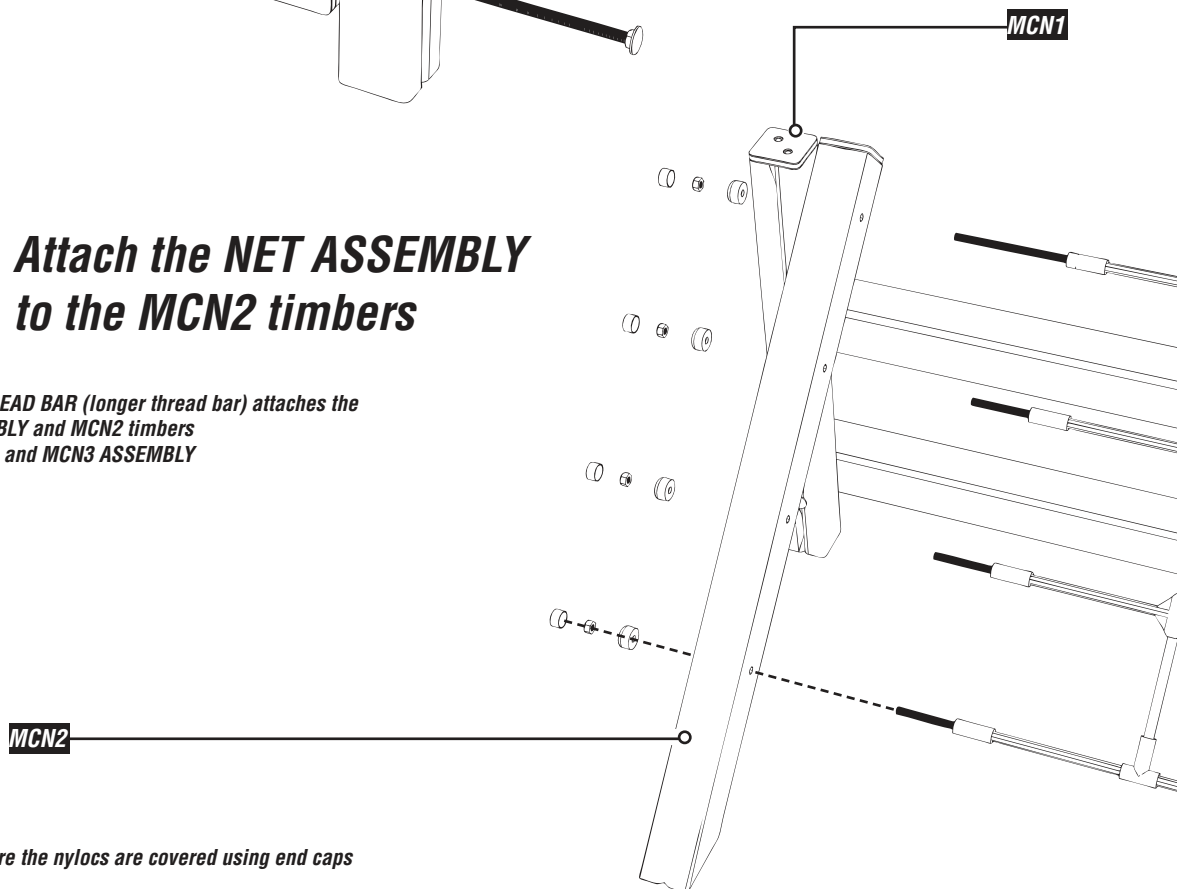
Using M12 190 cup square hex bolts



2

Attach the NET ASSEMBLY to the MCN2 timbers

The top THREAD BAR (longer thread bar) attaches the NET ASSEMBLY and MCN2 timbers to the MCN1 and MCN3 ASSEMBLY



Assembly Instructions

3

Ensure POSITIONING of the MCN2 timber is correct

Additional dimensions shown below

