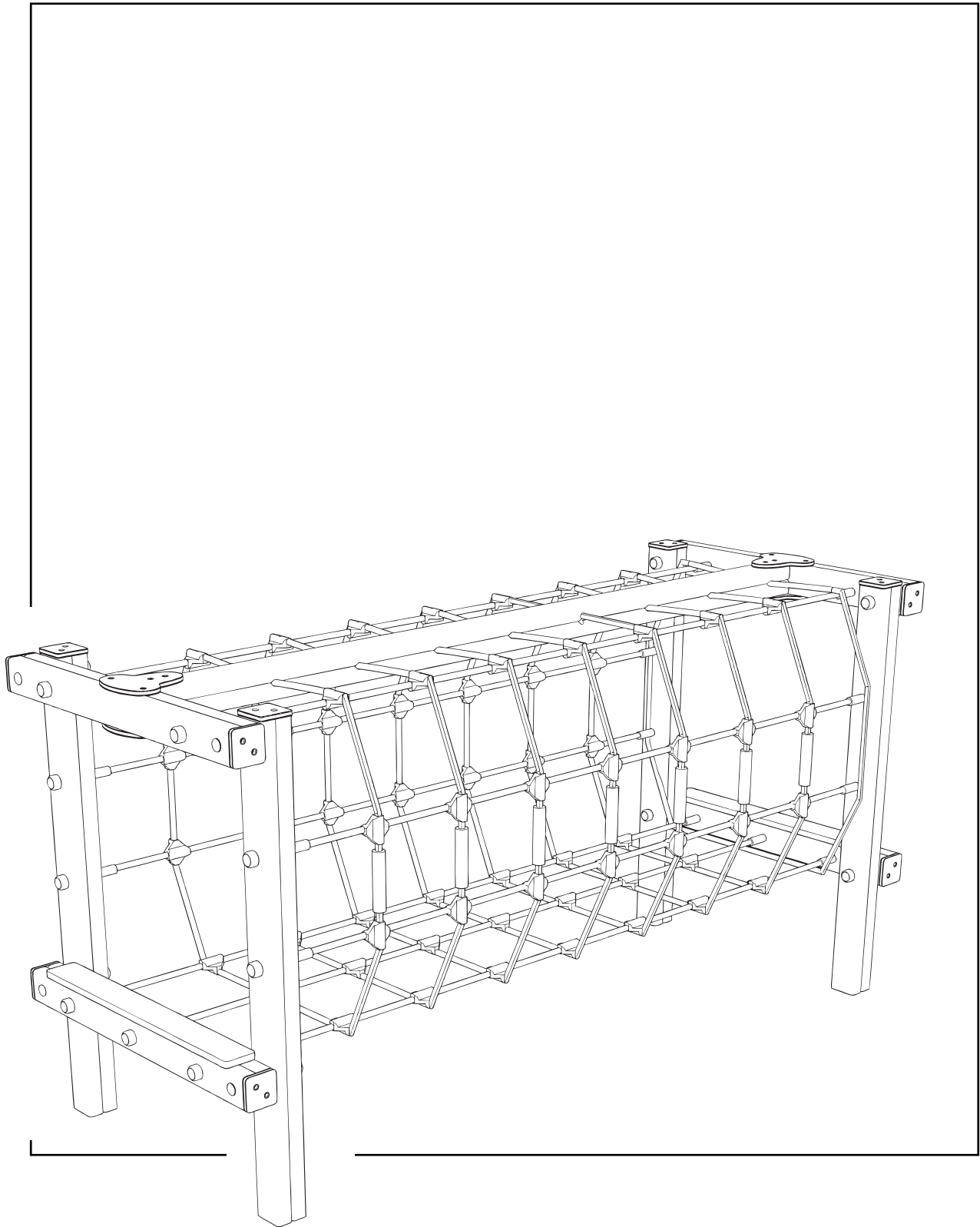


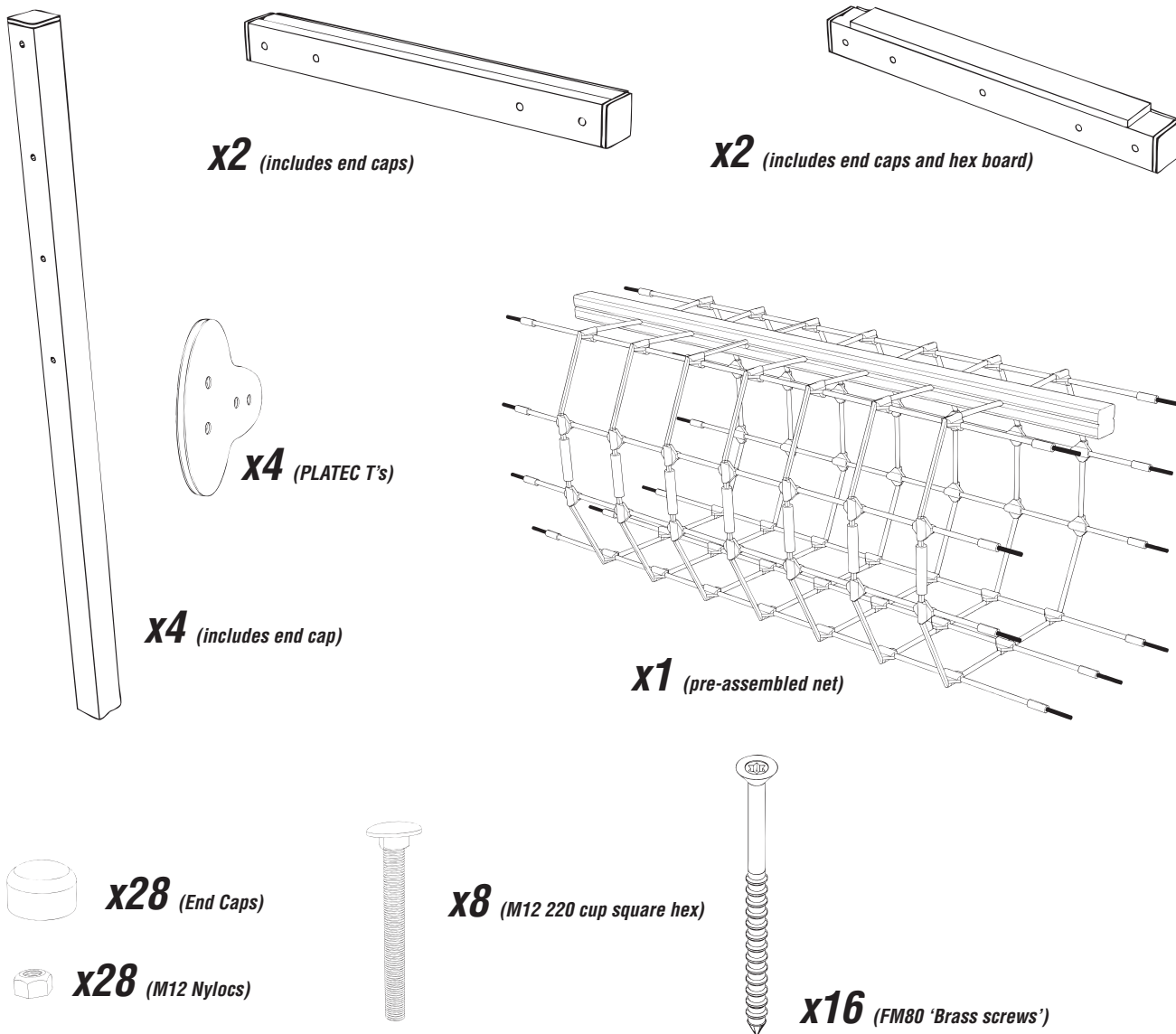
CRAWLING NET

Assembly Instructions

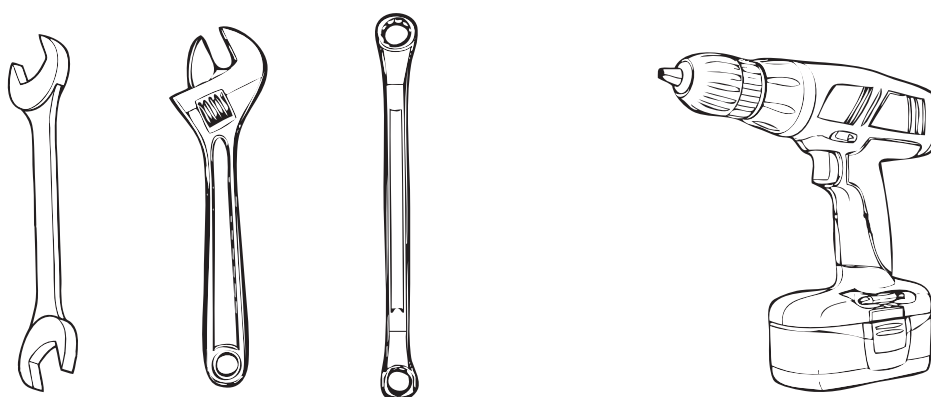
**creative
play**



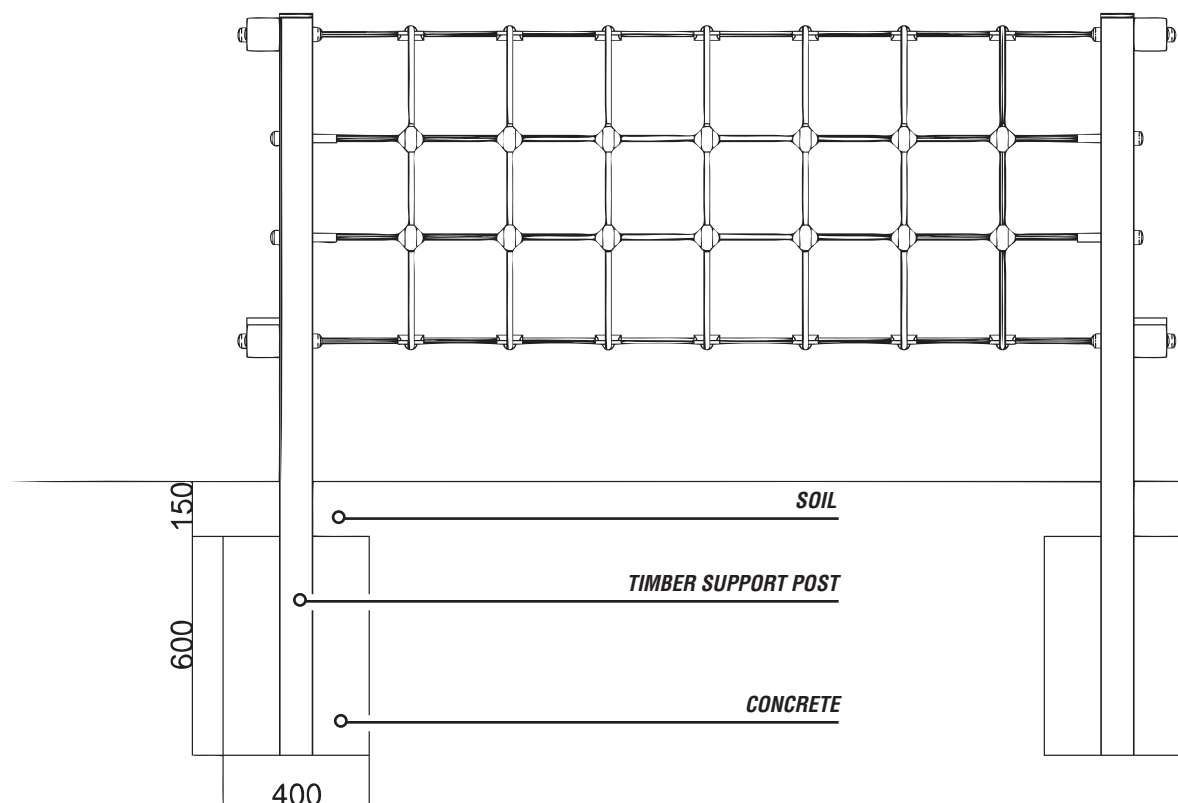
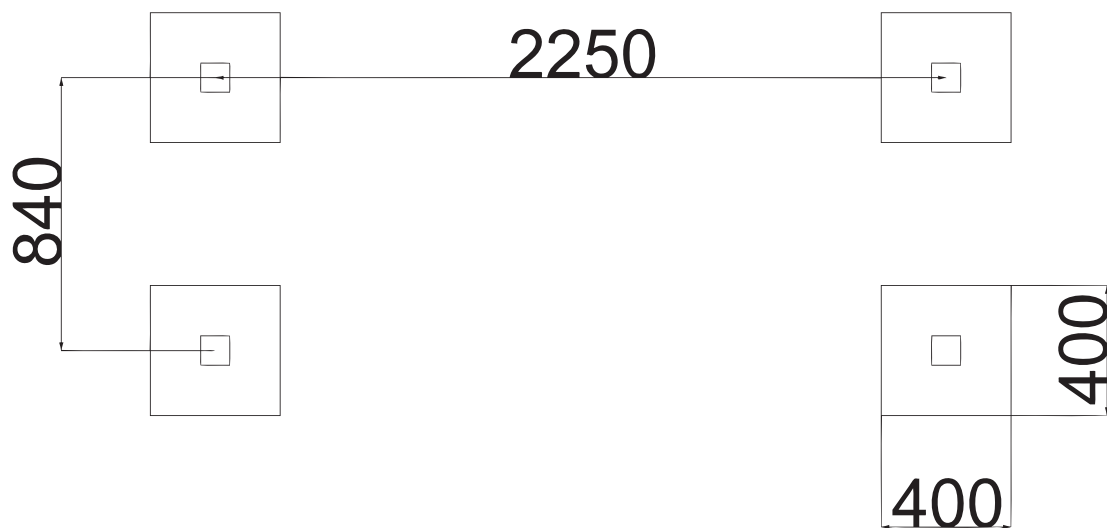
PARTS required



TOOLS required



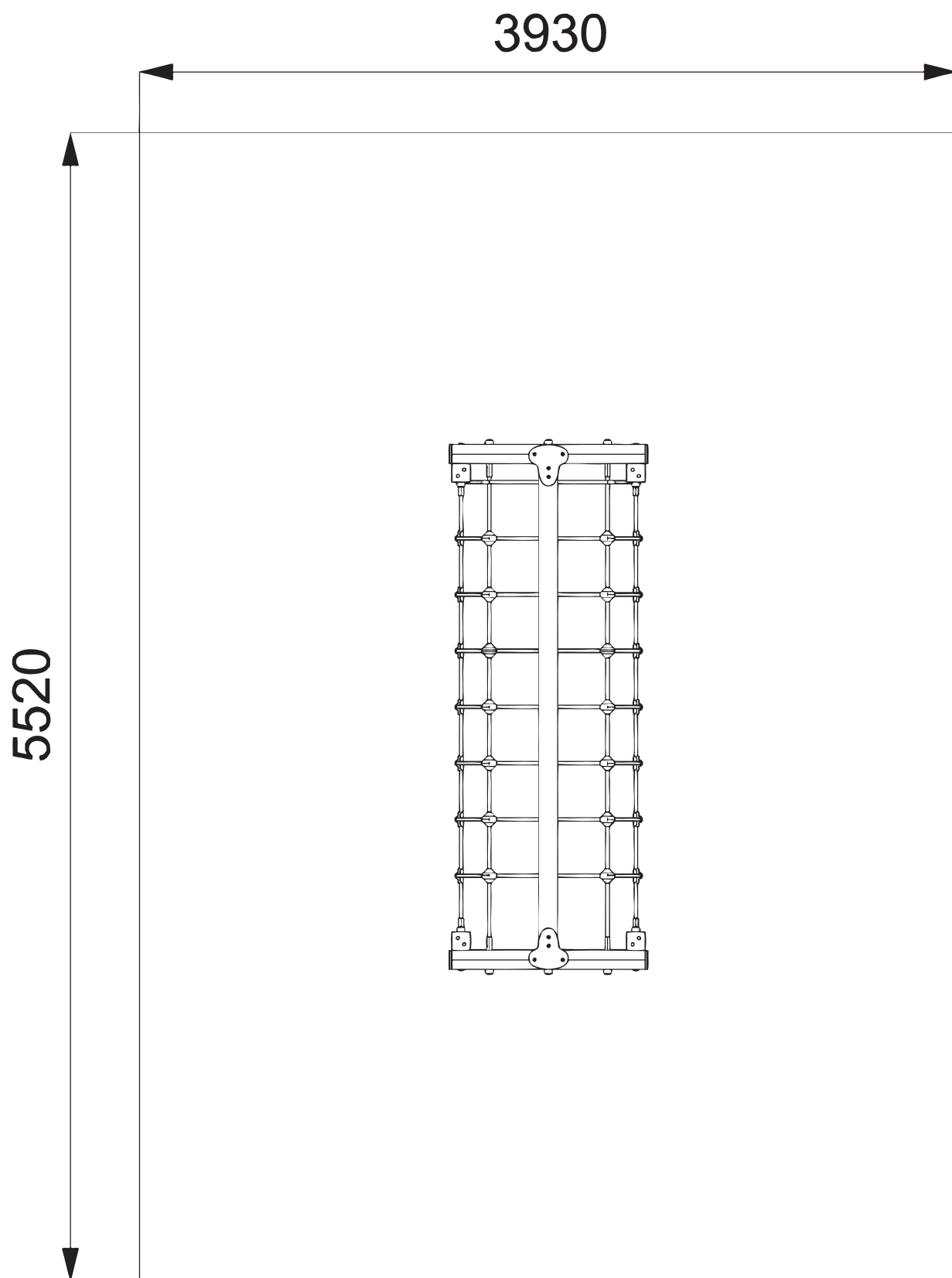
Foundation Details



Surfacing Details

----- = **MINIMUM SPACE**

———— = **SURFACE AREA**

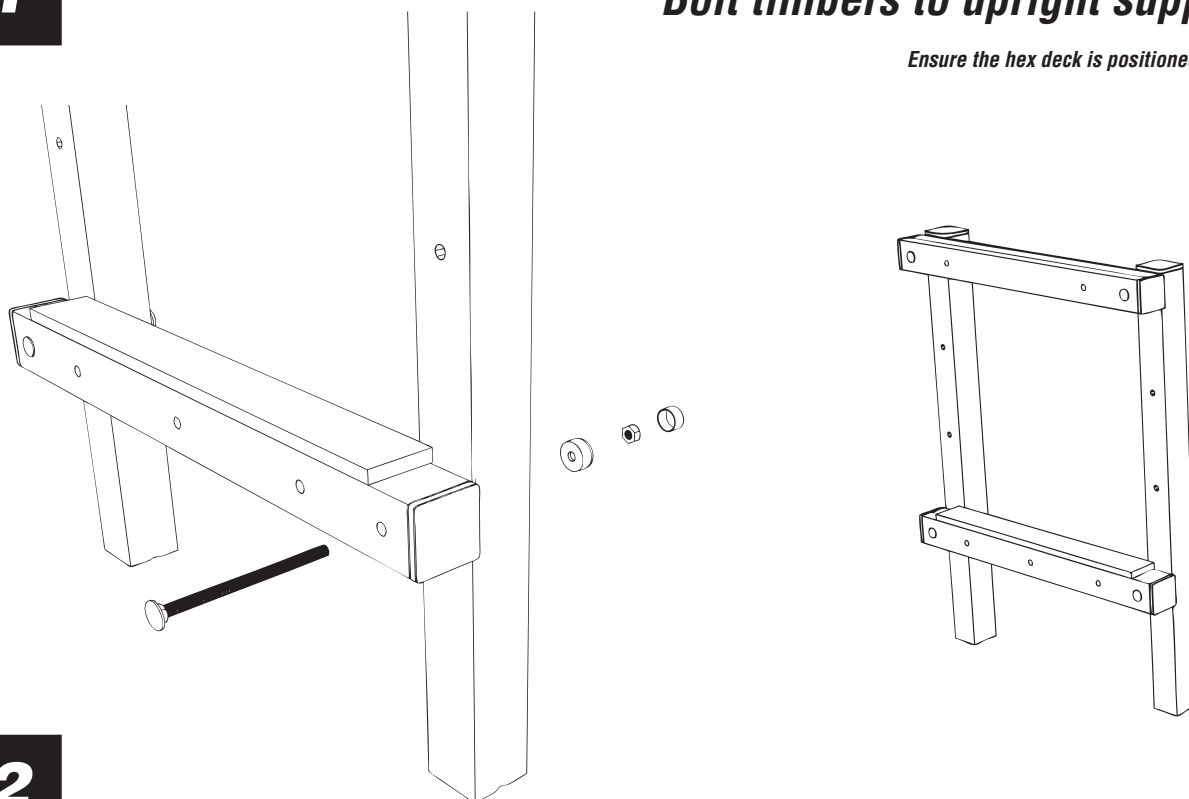


Installation Instructions

1

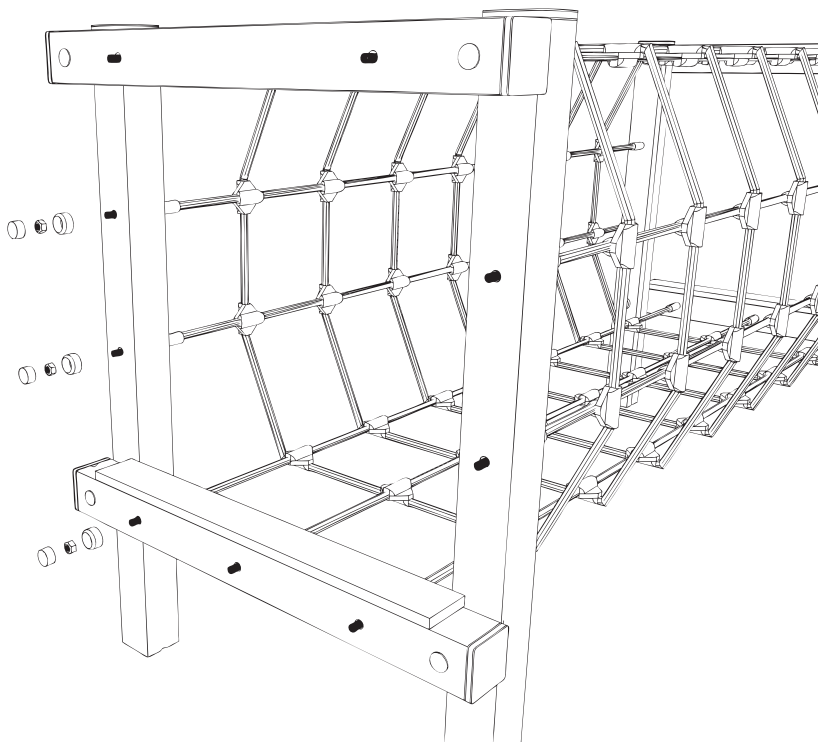
Bolt timbers to upright supports

Ensure the hex deck is positioned correctly



2

Attach pre-assembled net

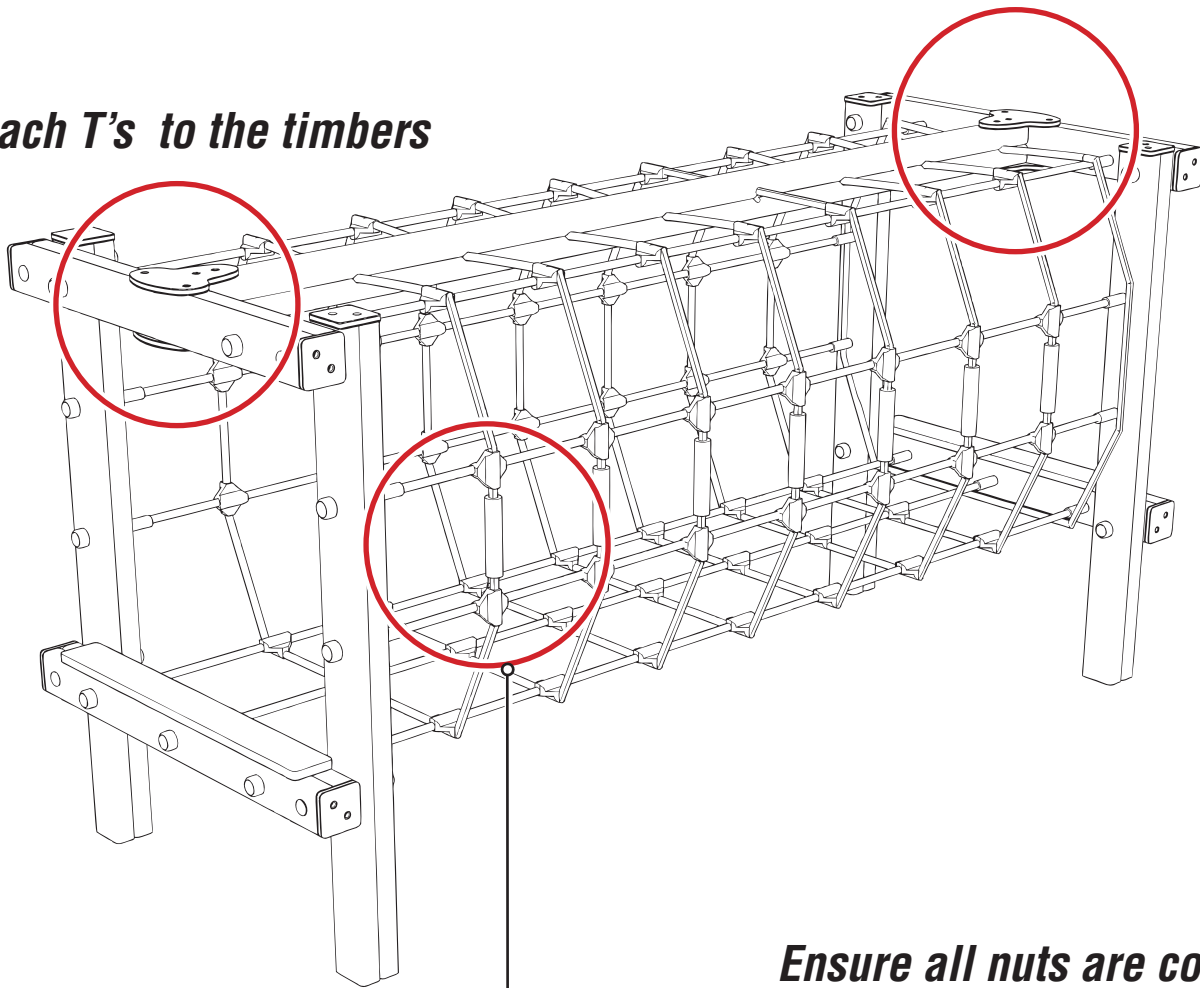


Installation Instructions

3

Attach T's to the timbers

Attach T's to the timbers



Ensure all nuts are covered

Using end caps

END CONNECTOR POSITIONED ON THE SIDE

