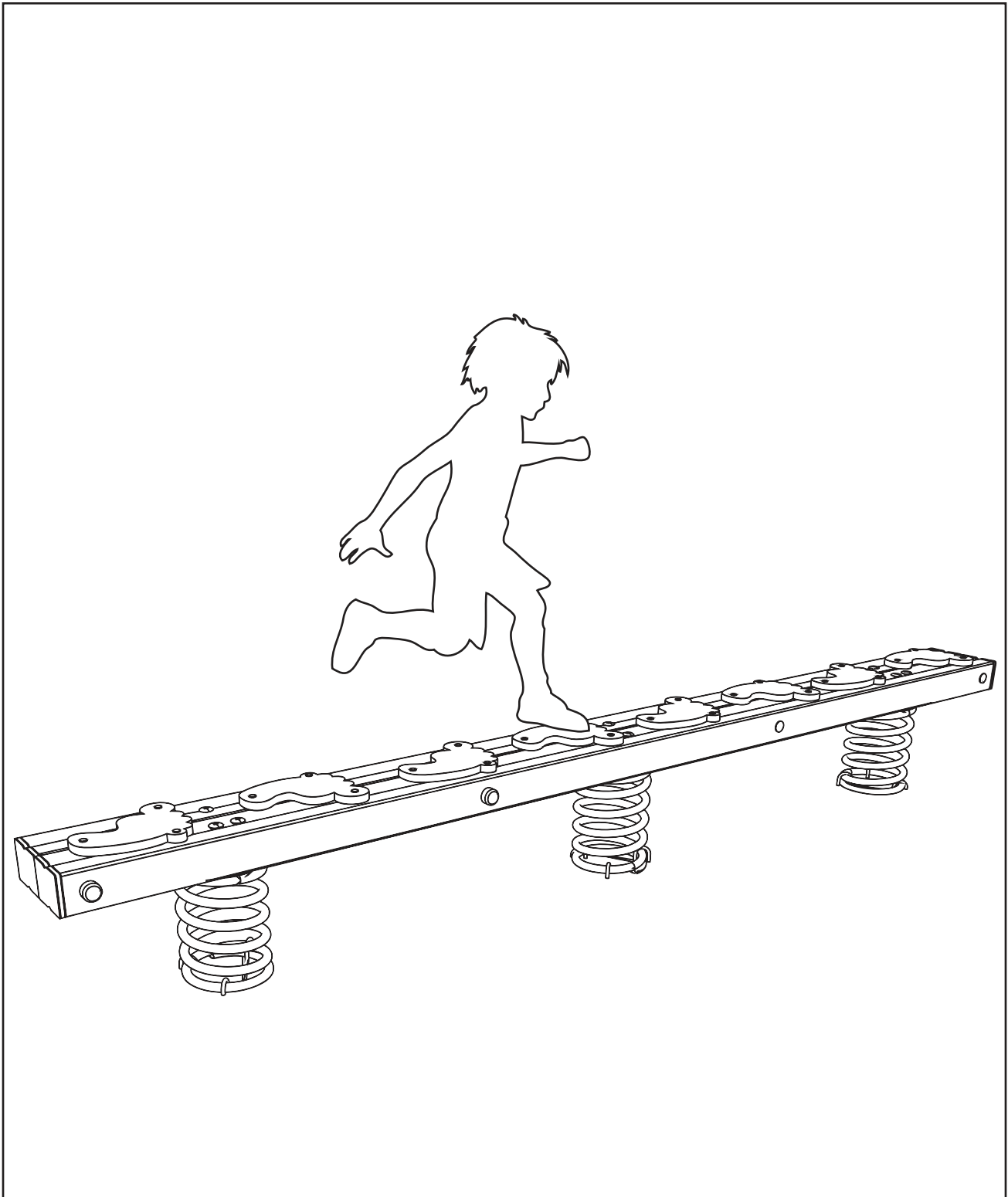


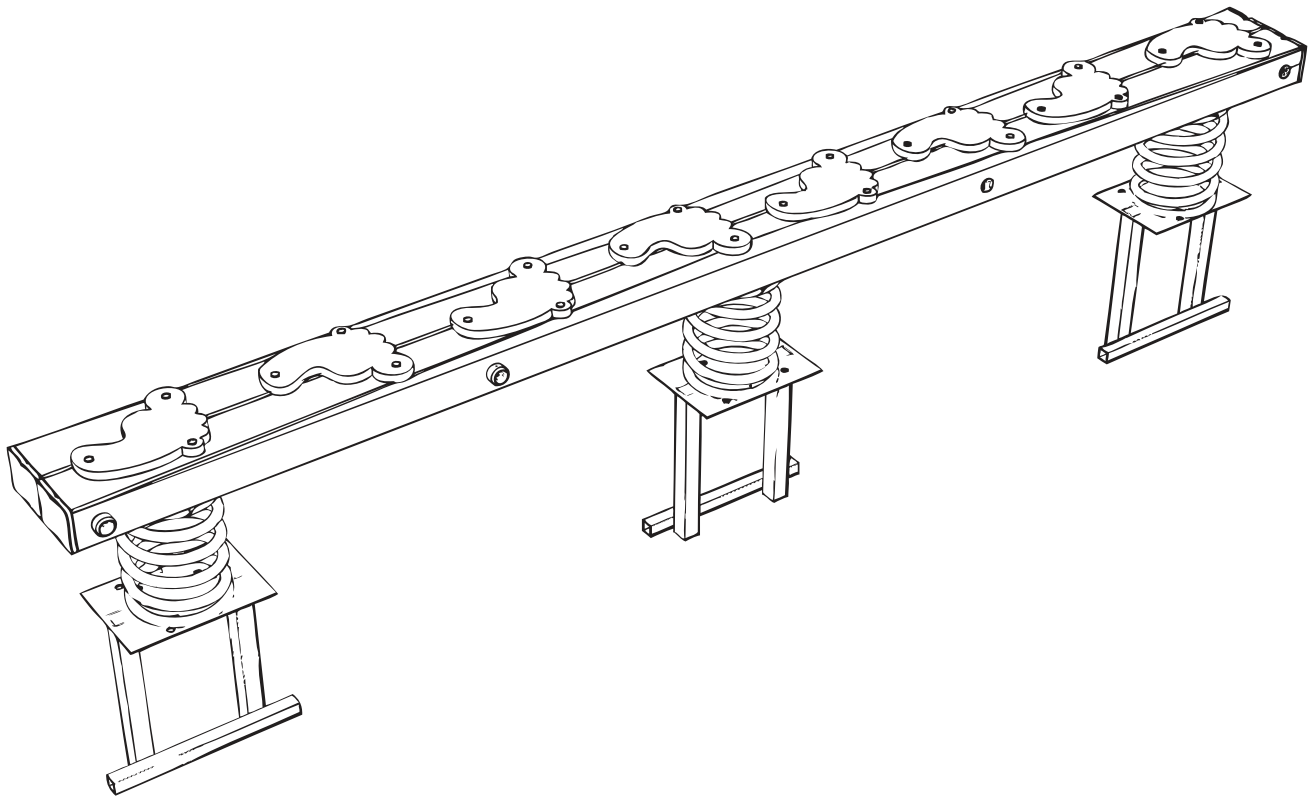
TRI-SPRUNG BEAM

Assembly Instructions

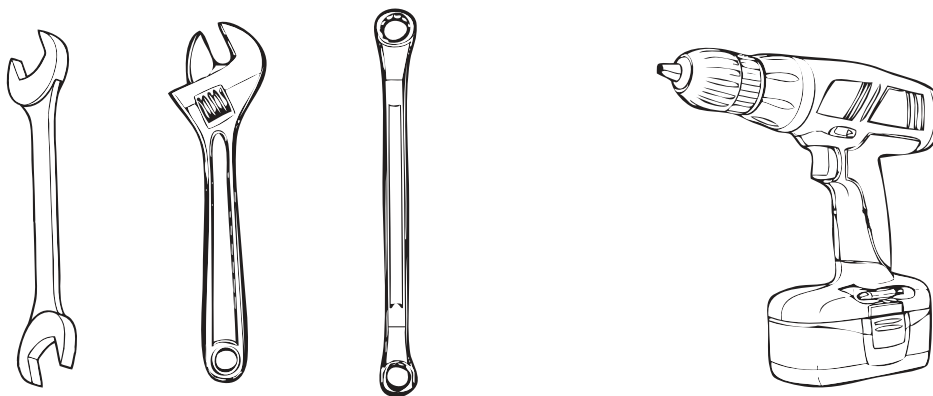
**creative
play**



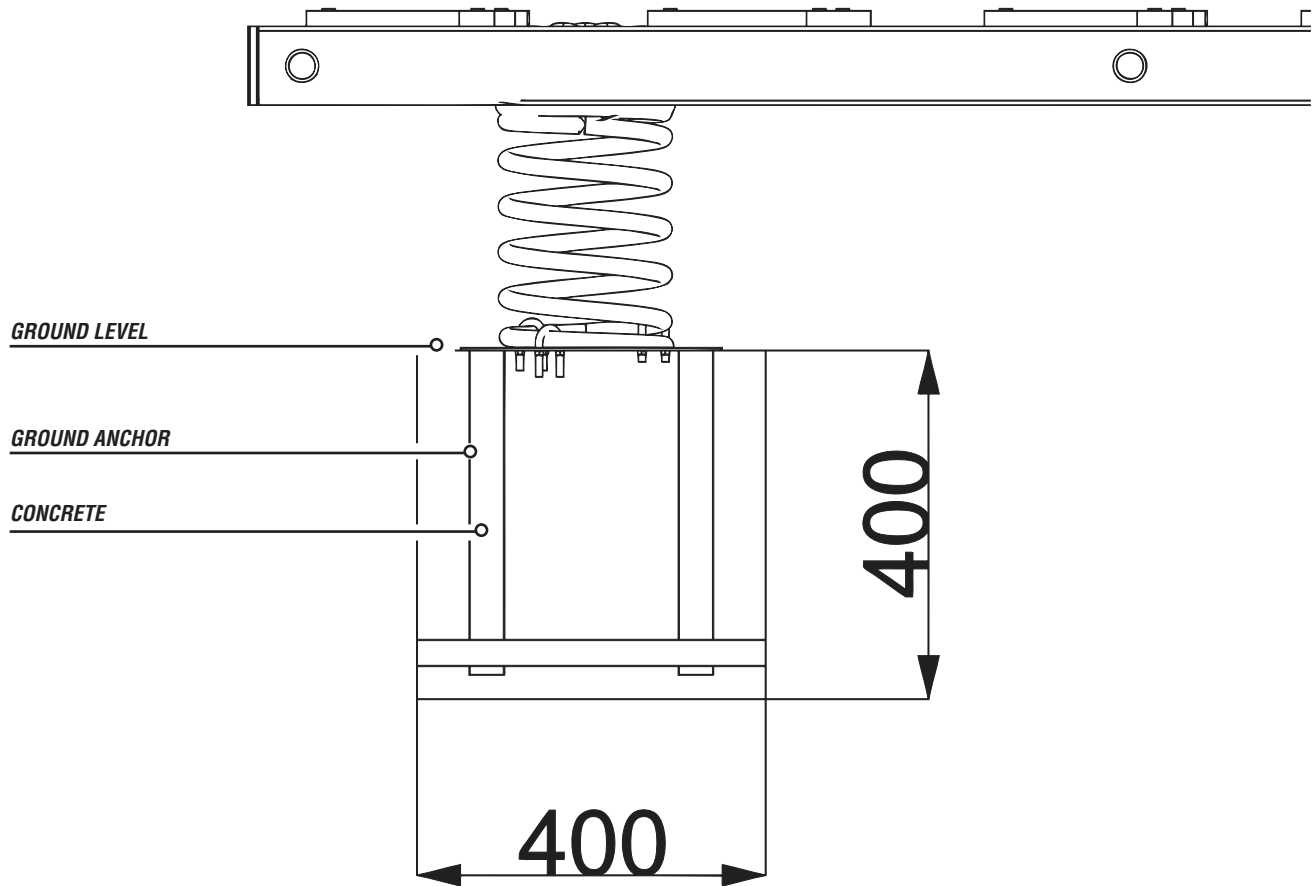
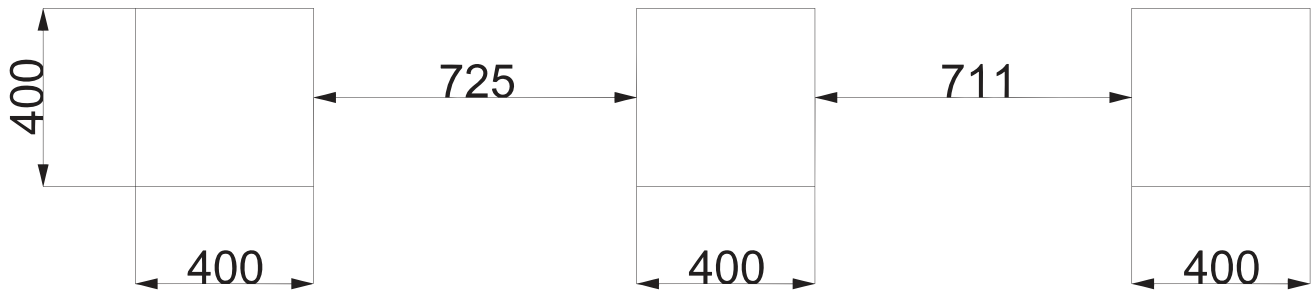
PARTS required



TOOLS required



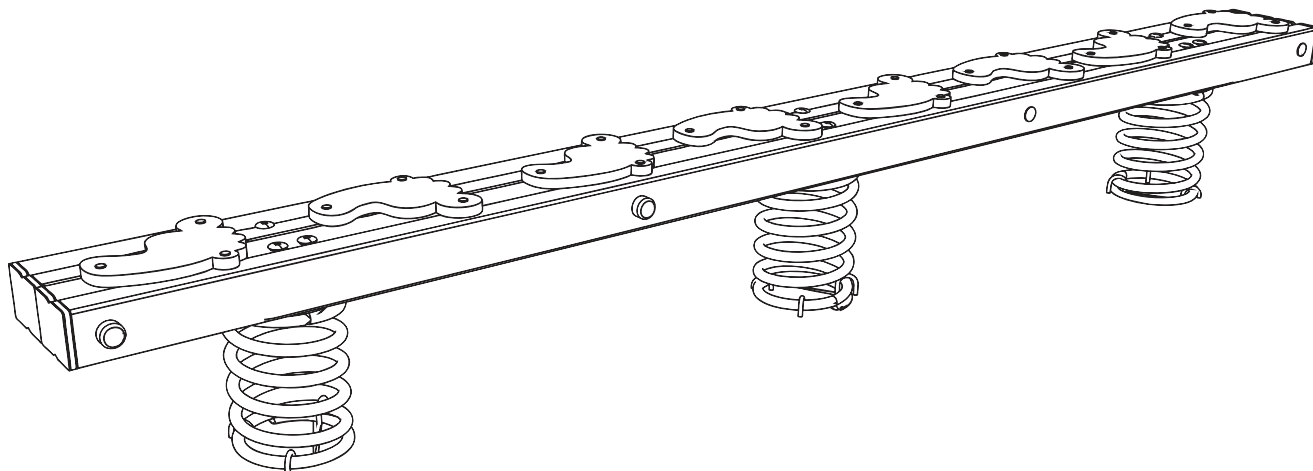
Foundation Details



Assembly Instructions

1

Install the PRE-ASSEMBLED TRI SPRUNG BALANCE BEAM



Additional dimensions

