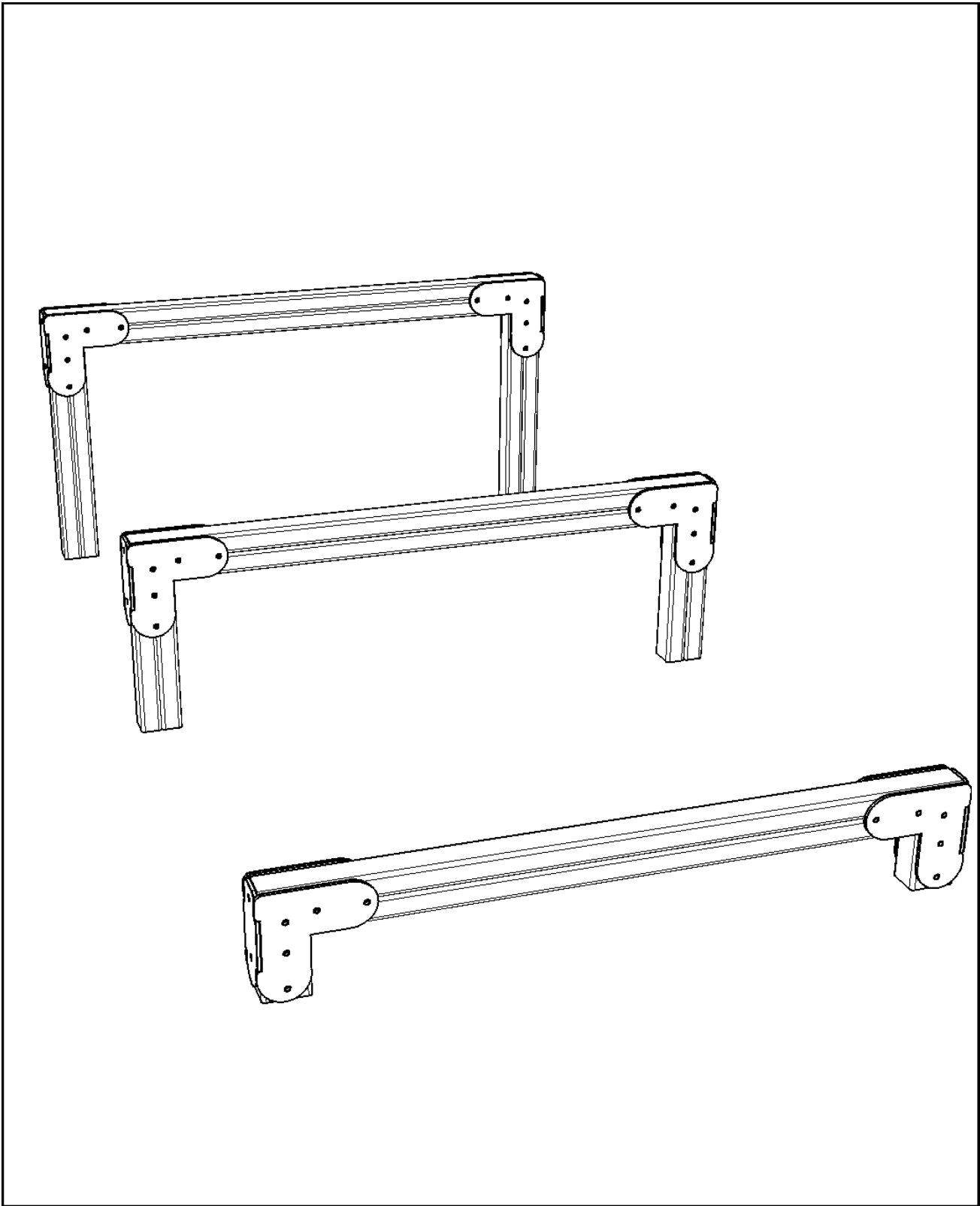
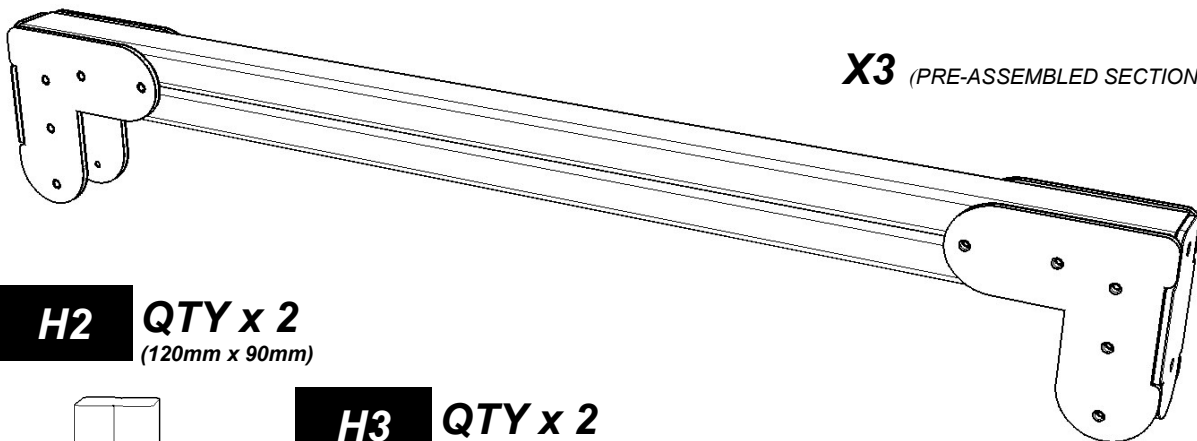


HURDLES

Installation Instructions



Parts required



X3 (PRE-ASSEMBLED SECTION)

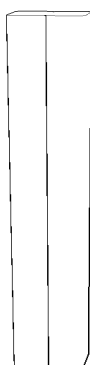
H2 QTY x 2
(120mm x 90mm)



H3 QTY x 2
(120mm x 90mm)



H4 QTY x 2
(120mm x 90mm)



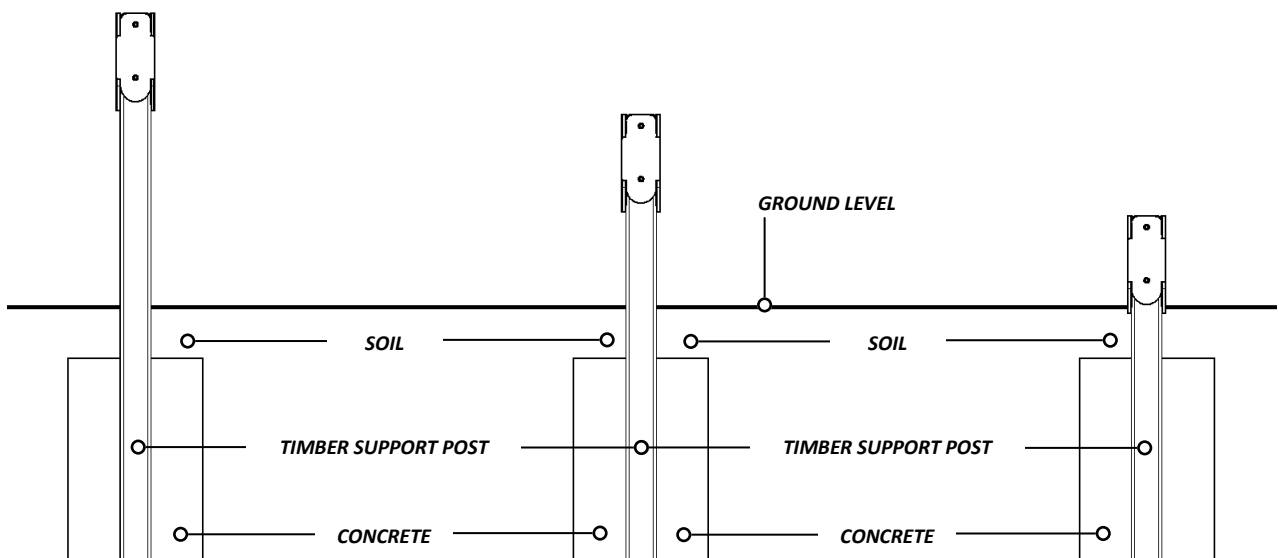
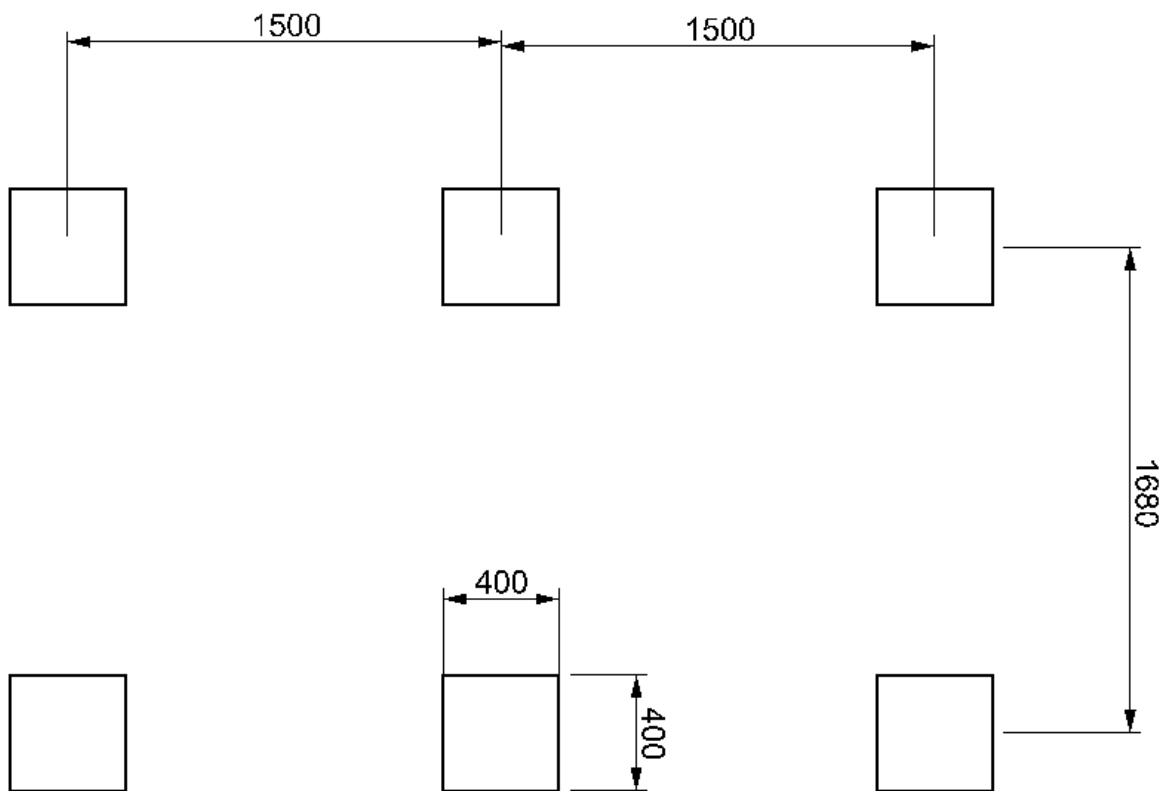
x30 (FM80 'BRASS SCREW')



TOOLS required

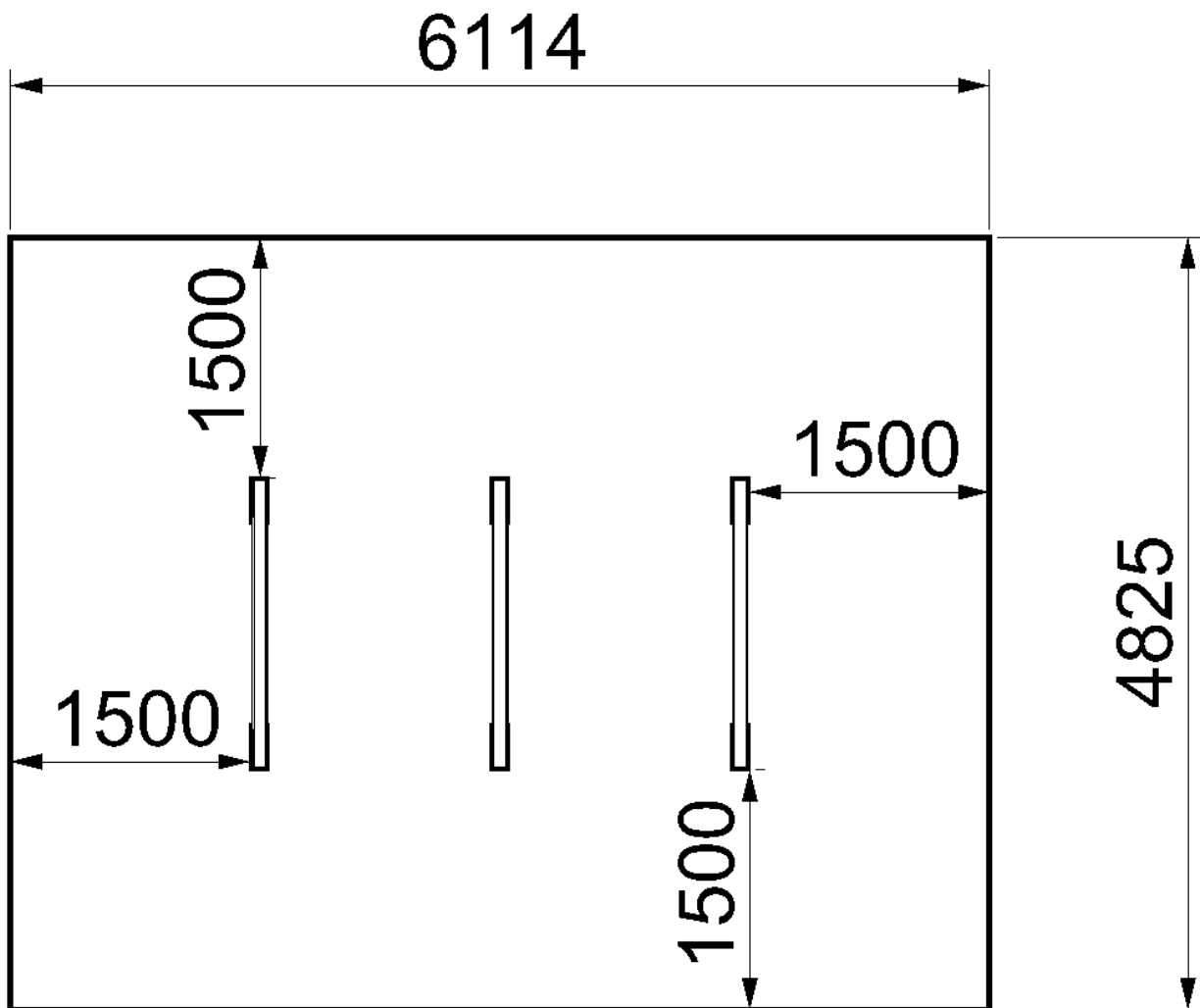


Foundation details



Surfacing details

----- = **MINIMUM SPACE**
————— = **SURFACING AREA**

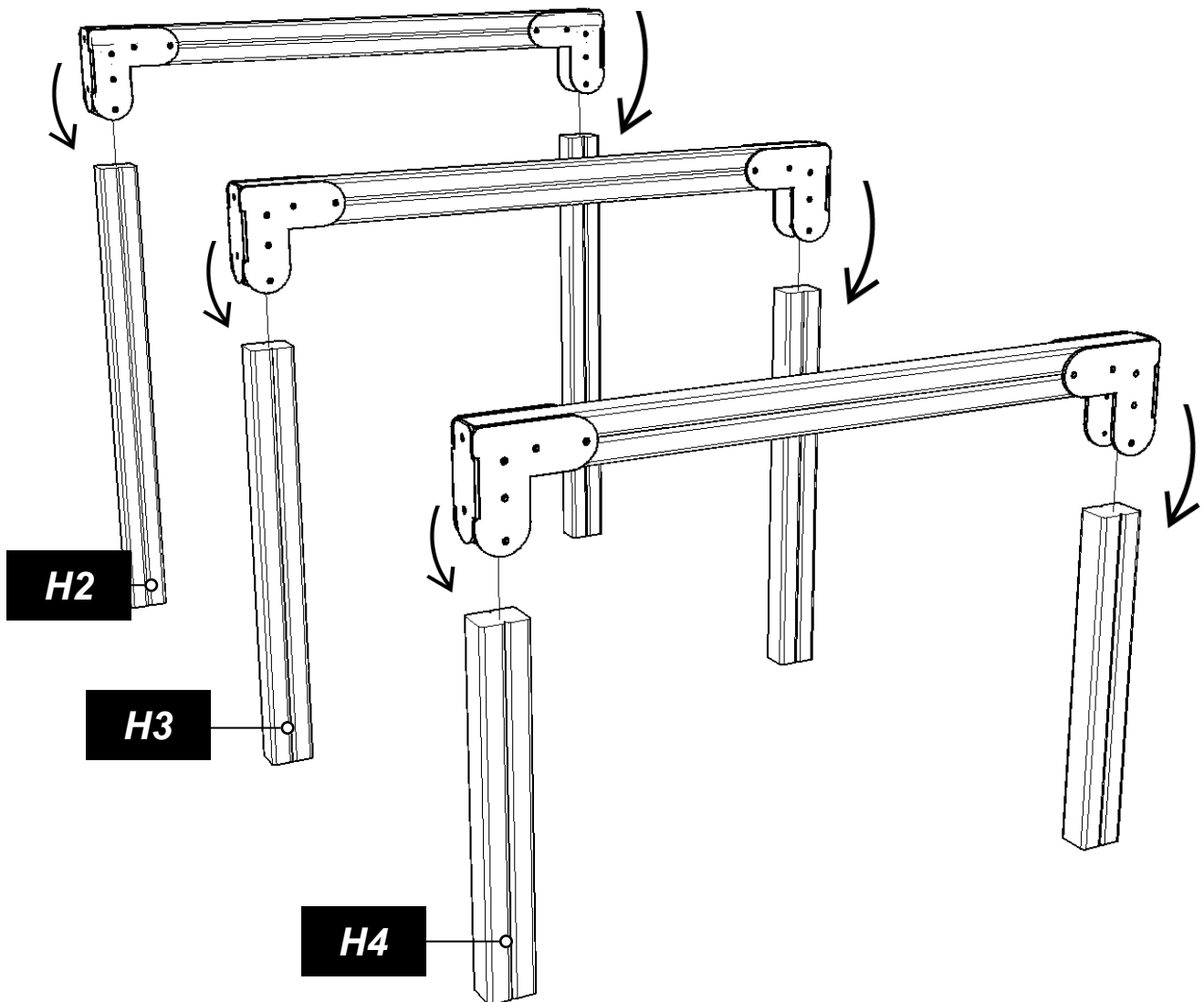


Assembly instructions

1

Attach the pre assembled section to the Timbers

Using FM80 BRASS CREWS



NOTES:

REPEAT in H2, H3 and H4 TIMBERS

Additional dimensions

