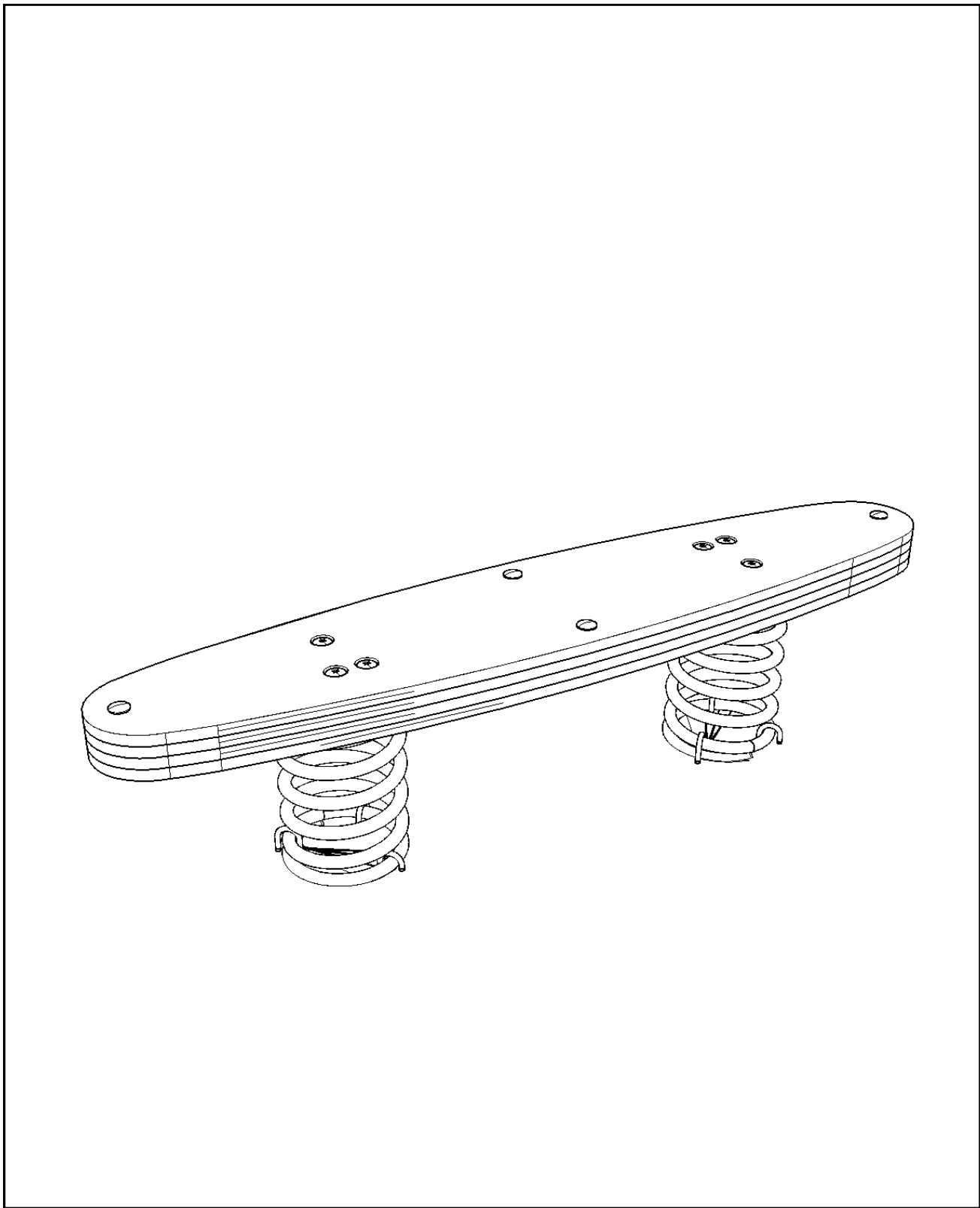
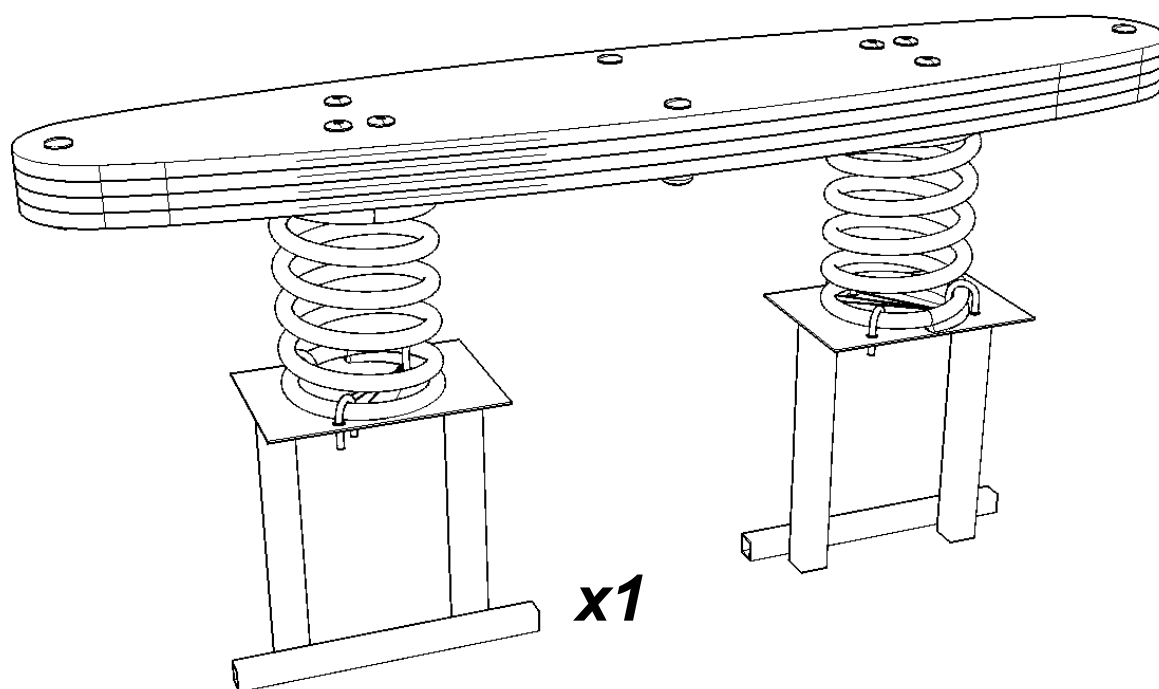


JELLY BOARD

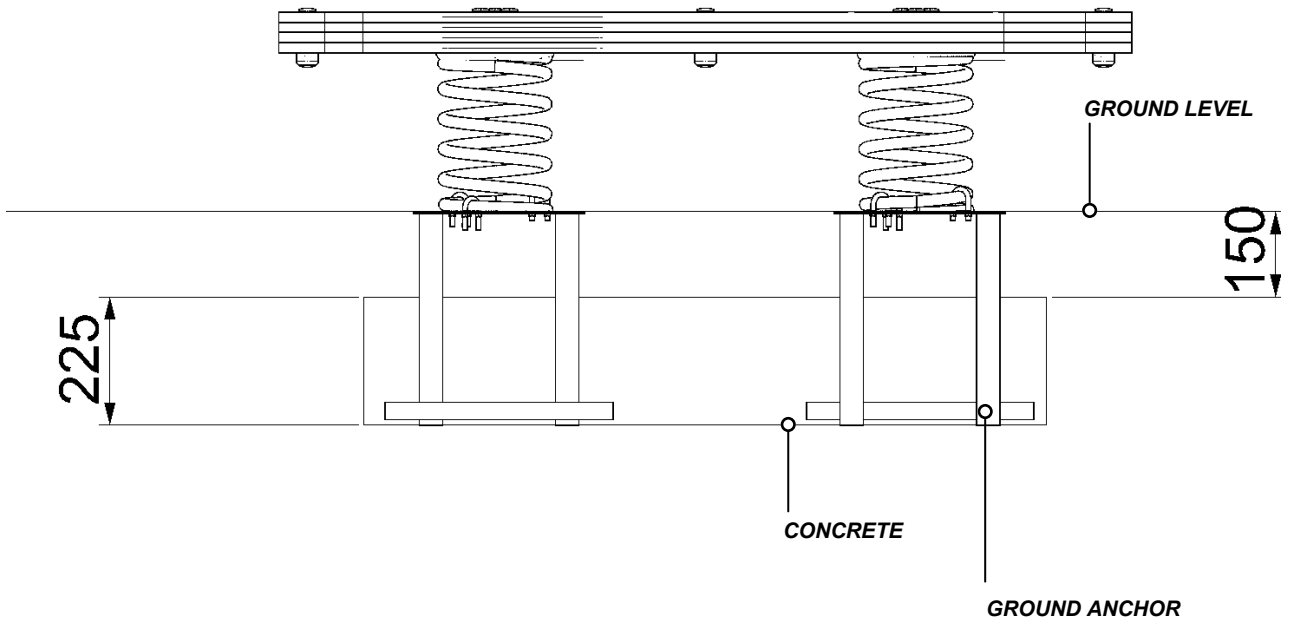
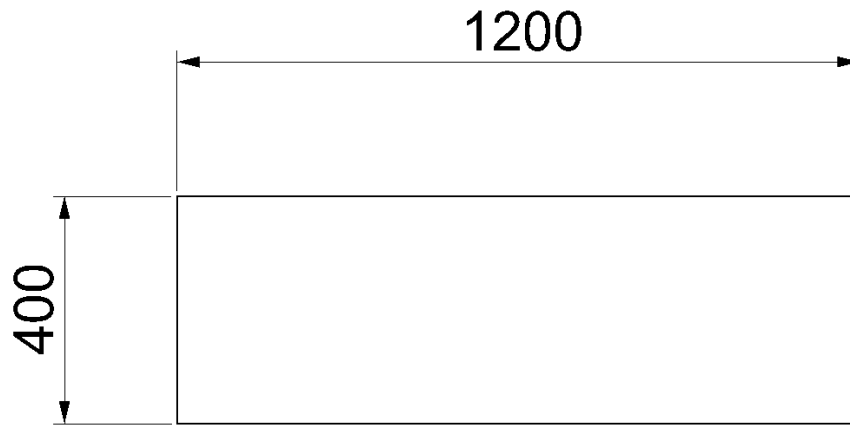
Installation Instructions



Parts required

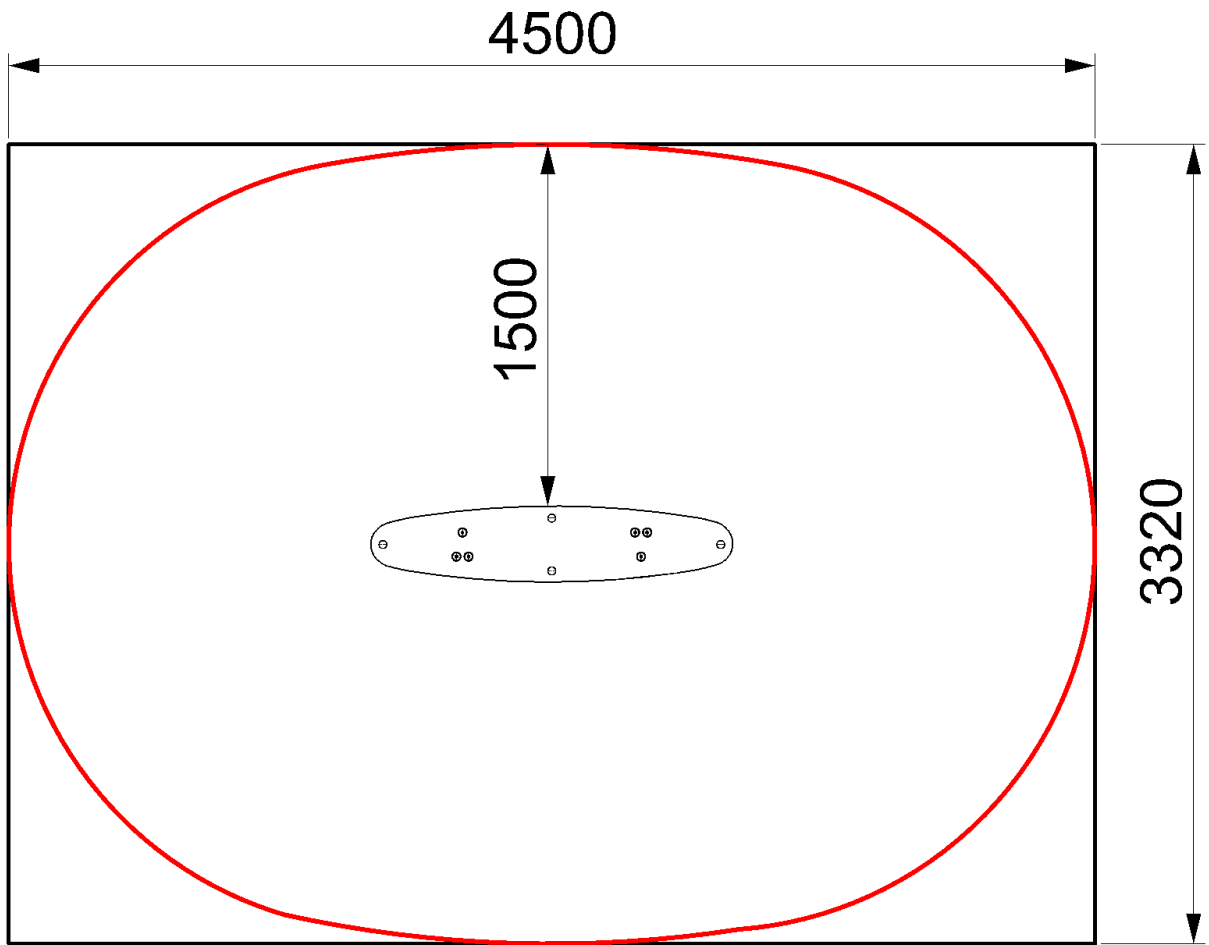


Foundation Details



Surfacing details

----- = MINIMUM SPACE
————— = SURFACING AREA

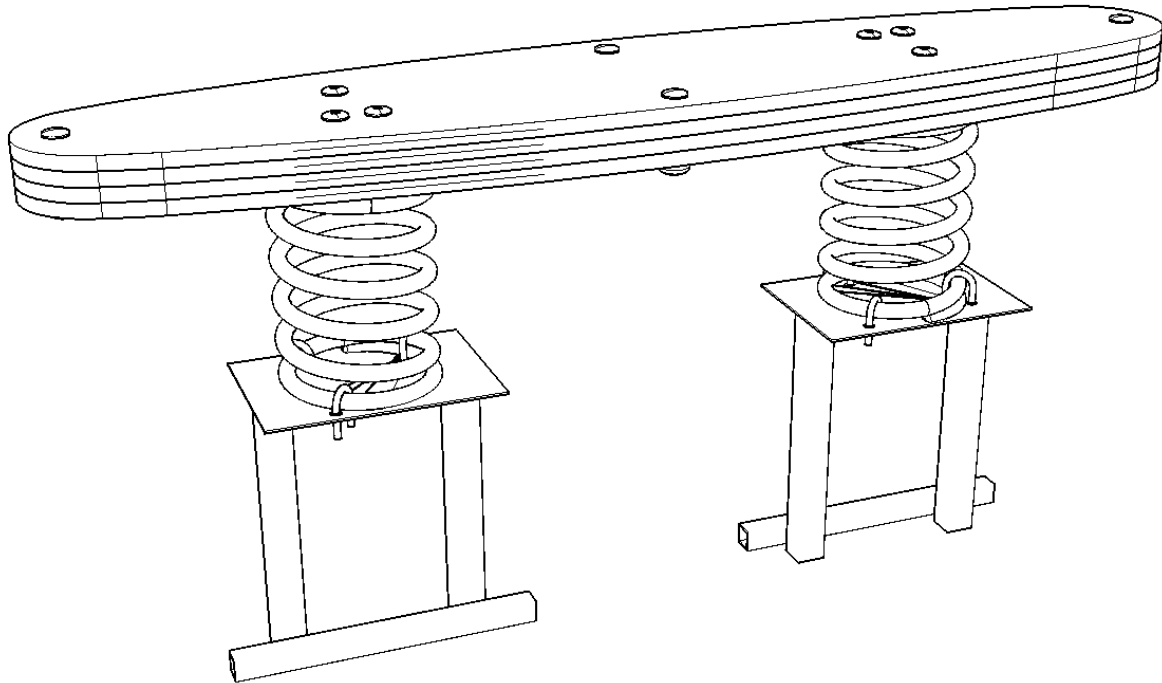


Assembly instructions

1

FOLLOW FOUNDATION DETAILS

Jelly Board is fully pre-assembled



Additional dimensions

