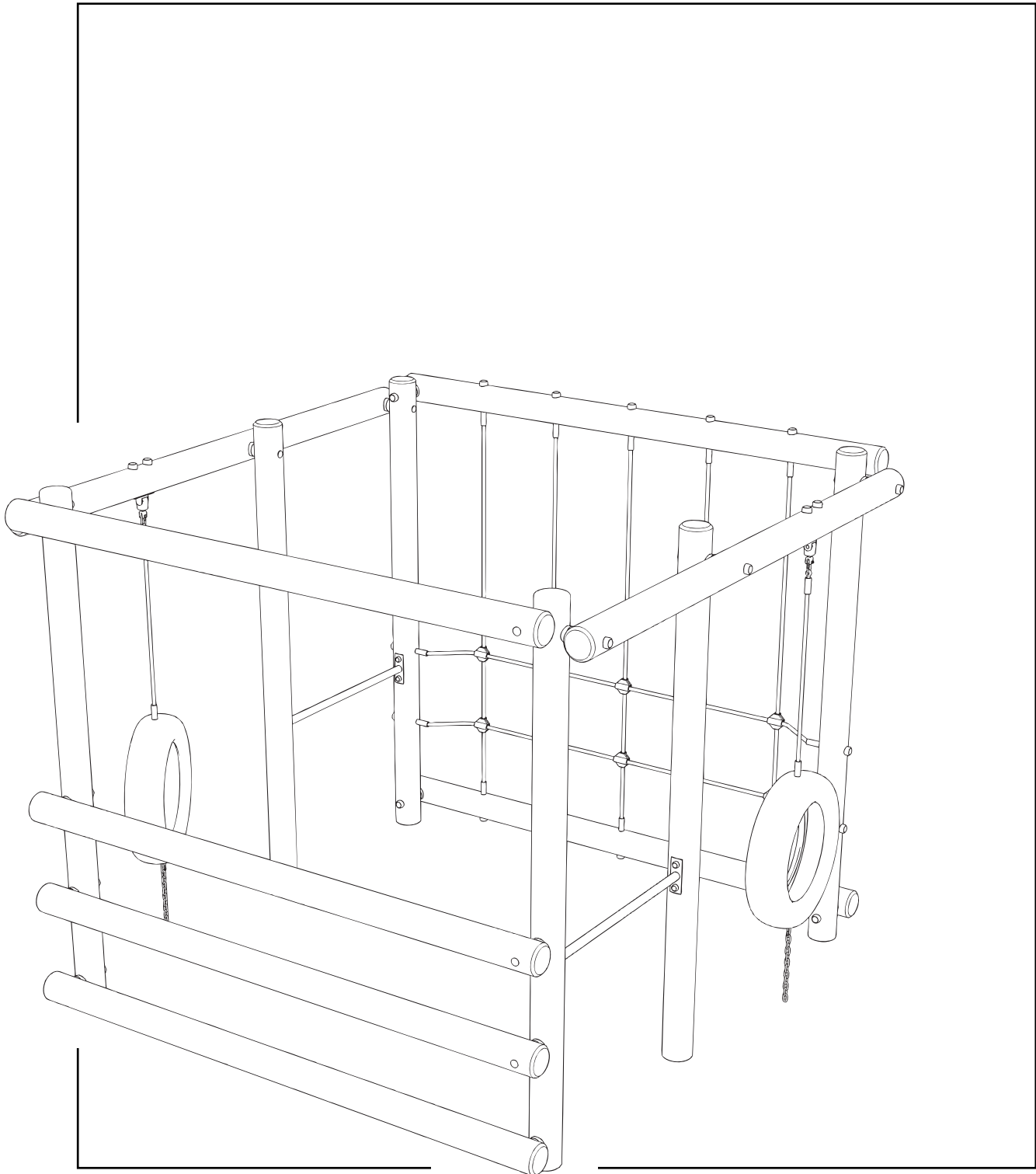


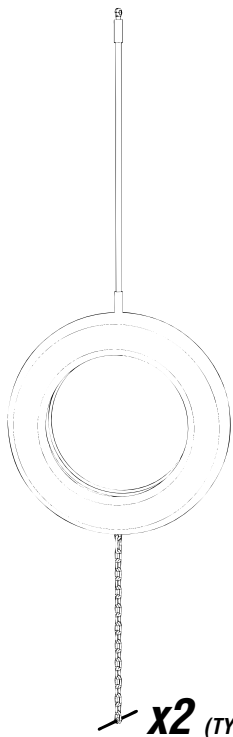
# **DEE CLIMBING FRAME ROUND**

## ***Installation Instructions***

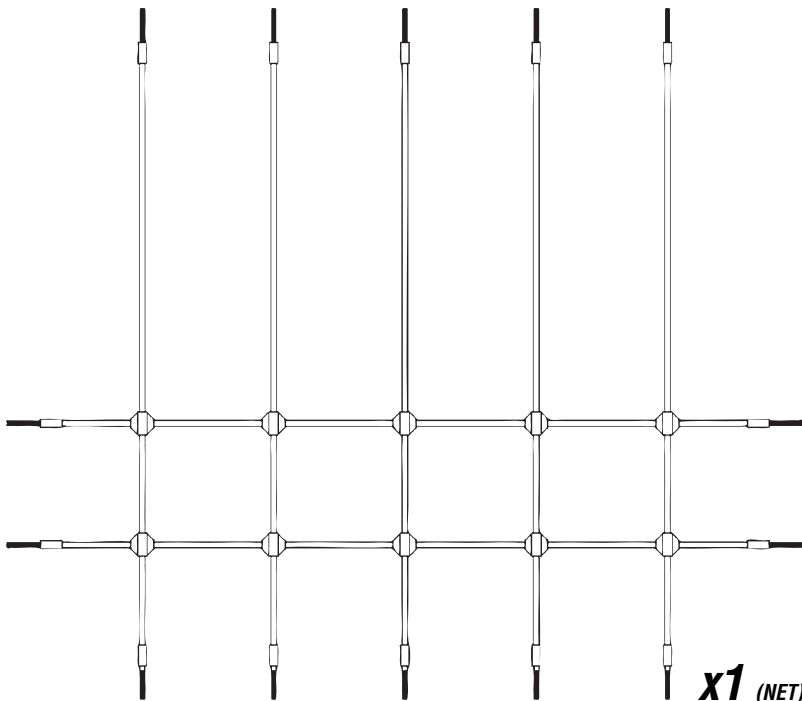
**creative  
play**



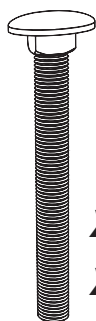
# PARTS required



**x2** (TYRE + ROPE + CHAIN)



**x1** (NET)

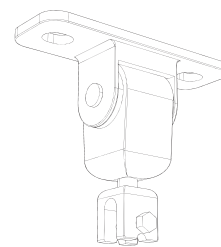


**x4** (M12 x 140 Square Cup HEX bolt)

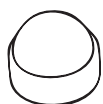
**x18** (M12 x 300 Square Cup HEX bolt)



**x4** (FM80 'Brass screws')



**x2** (Swing Hanger)



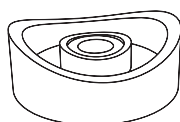
**x8** (M8 Plastic Cover)



**x36** (end caps R60)



**x8** (small caps blue)



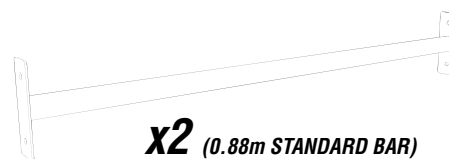
**x36** (120 Distance piece)  
120 label is shown on the inside



**x36** (M12 'NYLOC')



**x2** (D-Shackle)



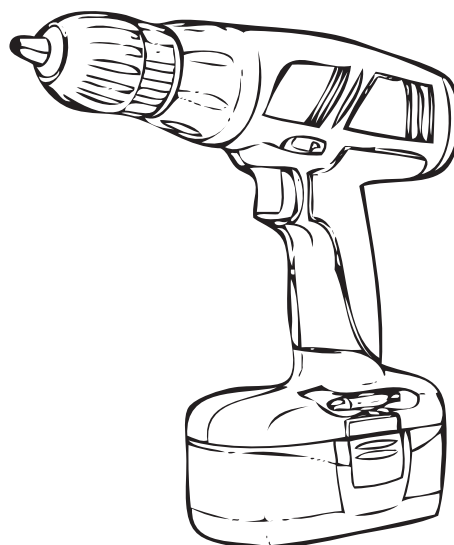
**x2** (0.88m STANDARD BAR)

## TIMBERS required

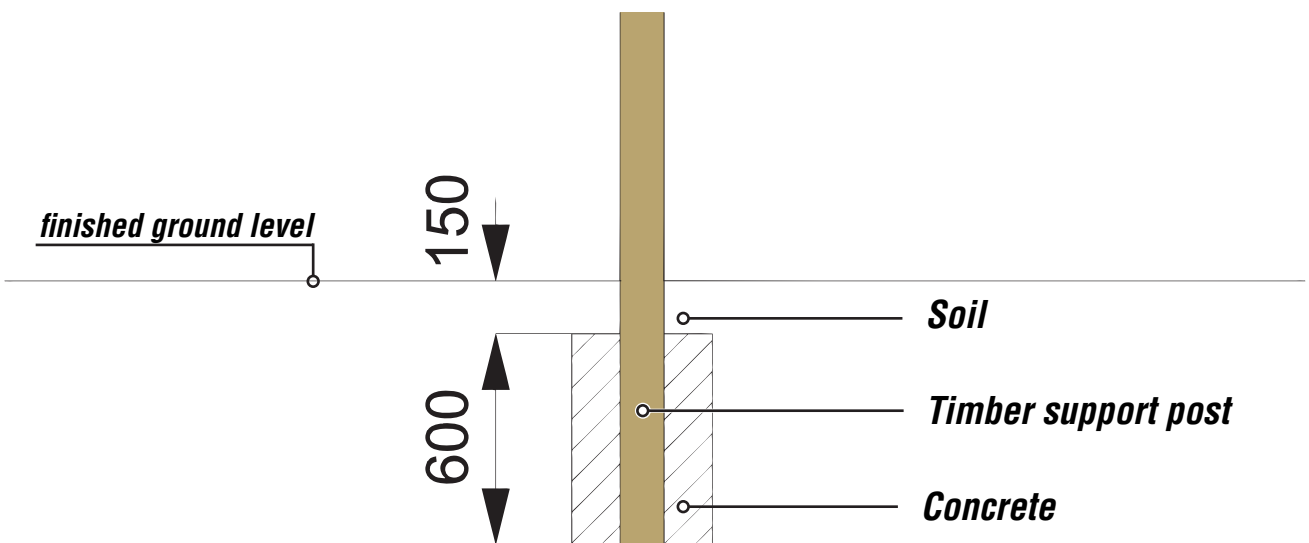
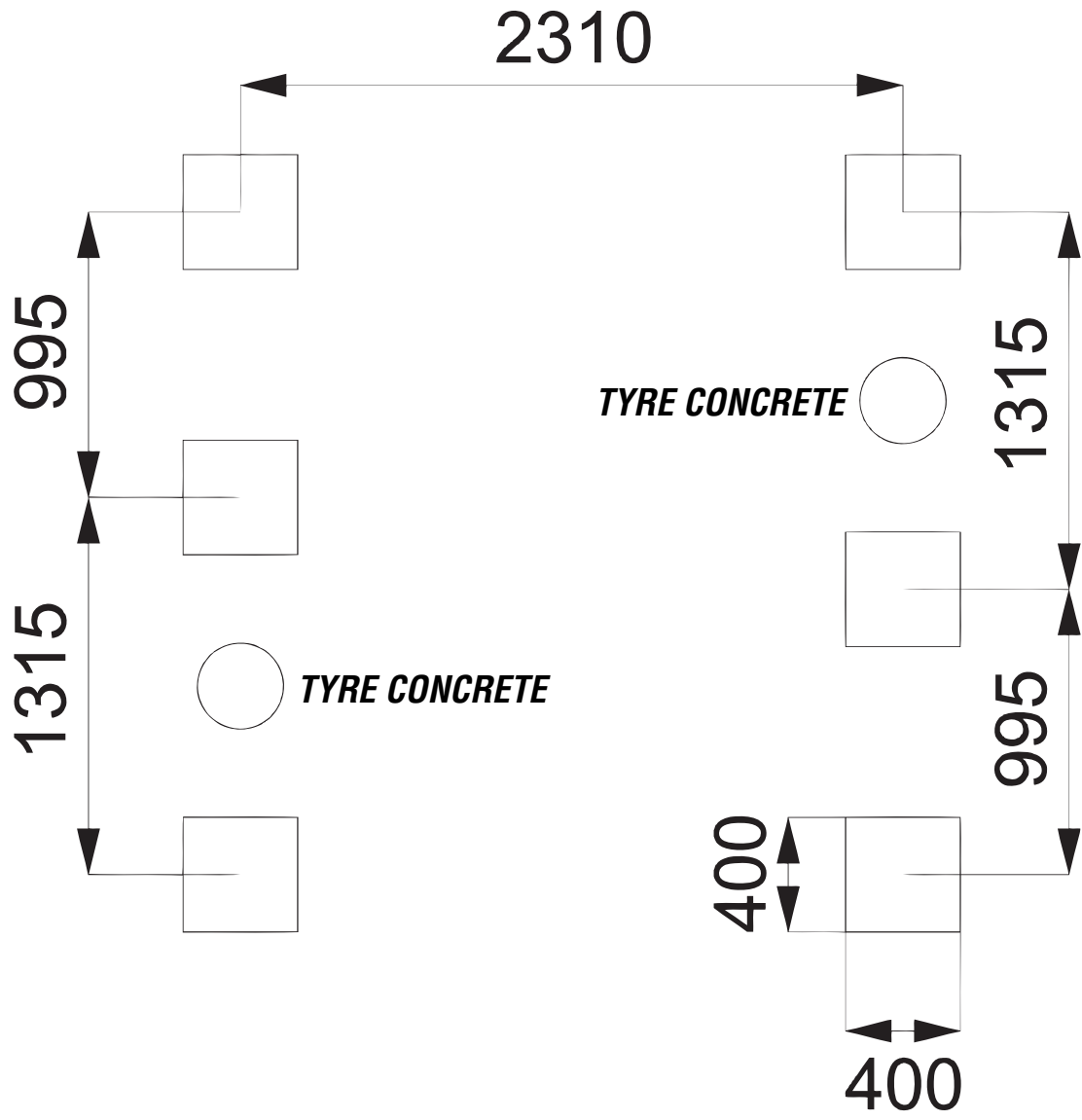


CODE	TYPE	SIZE mm	QTY
CF101Ra	Ø 125mm	3000	1
CF101Rb	Ø 125mm	3000	1
CF101Rc	Ø 125mm	3000	2
CF101Rd	Ø 125mm	3000	1
CF101Re	Ø 125mm	3000	1
CF101Rf	Ø 125mm	2460	2
CF101Rg	Ø 125mm	2460	4
CF101Rh	Ø 125mm	2460	2

## TOOLS required



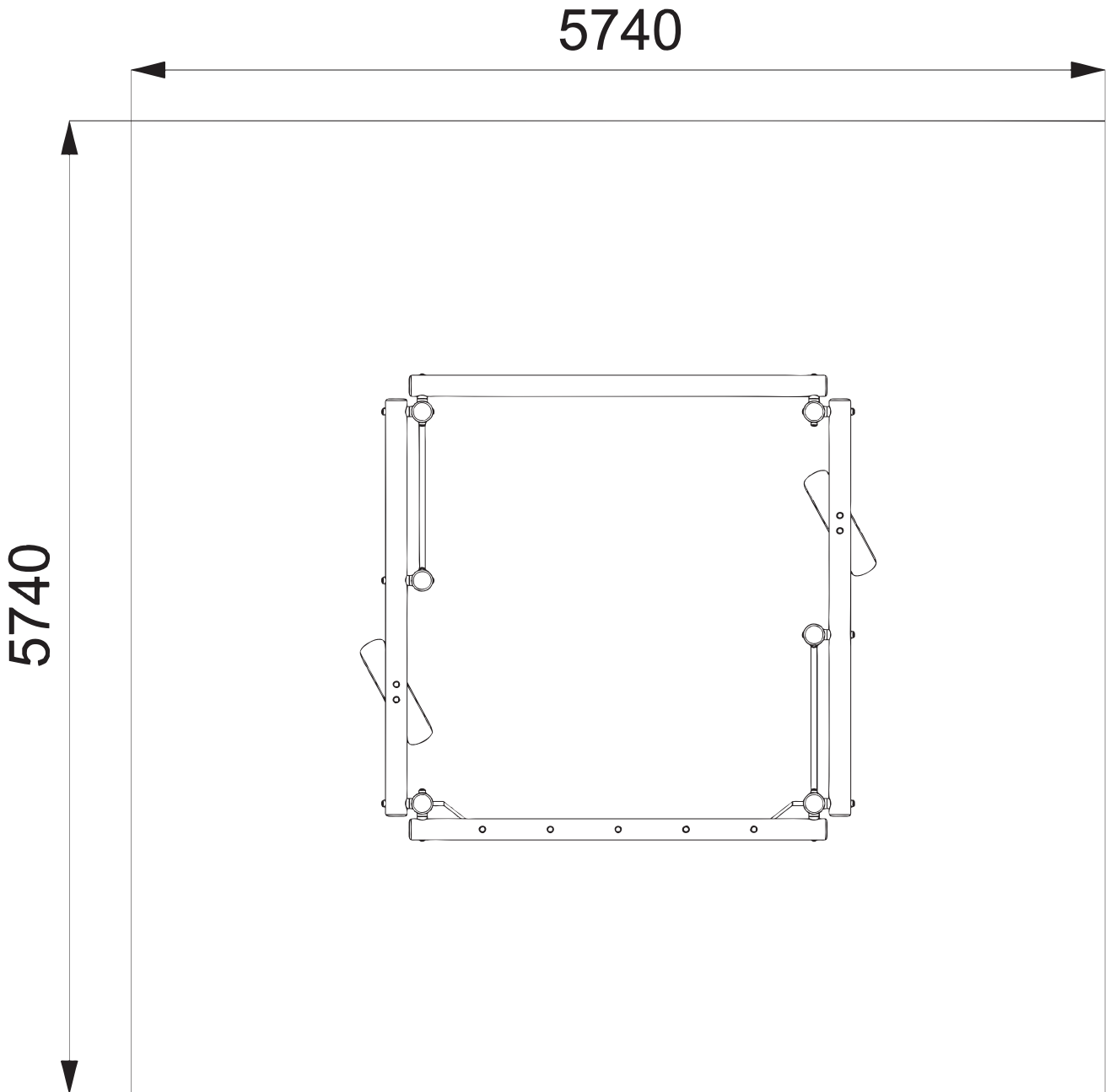
# Foundation Details



# Surfacing Details

---

- - - - = **MINIMUM SPACE**
- = **SURFACE AREA**

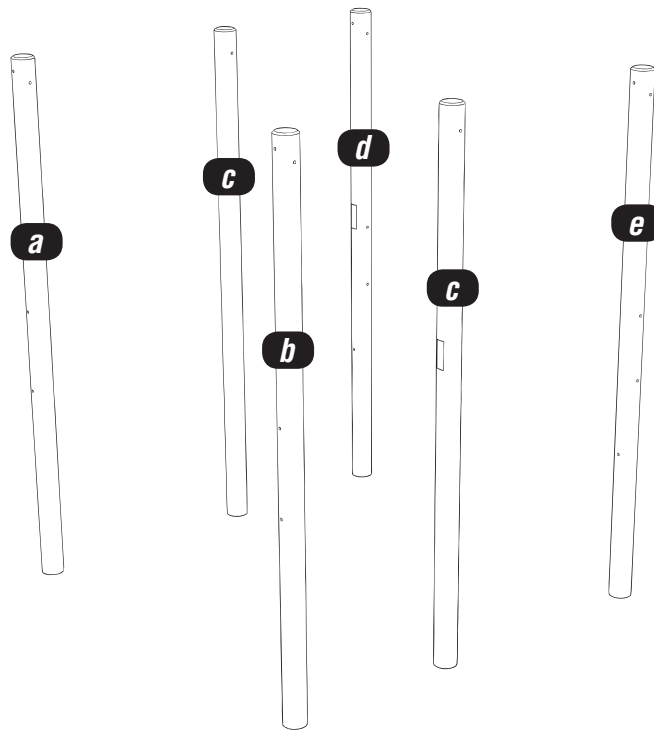


# Installation Instructions

**1**

## Install the UPRIGHTS CF101Ra/b/c/d/e

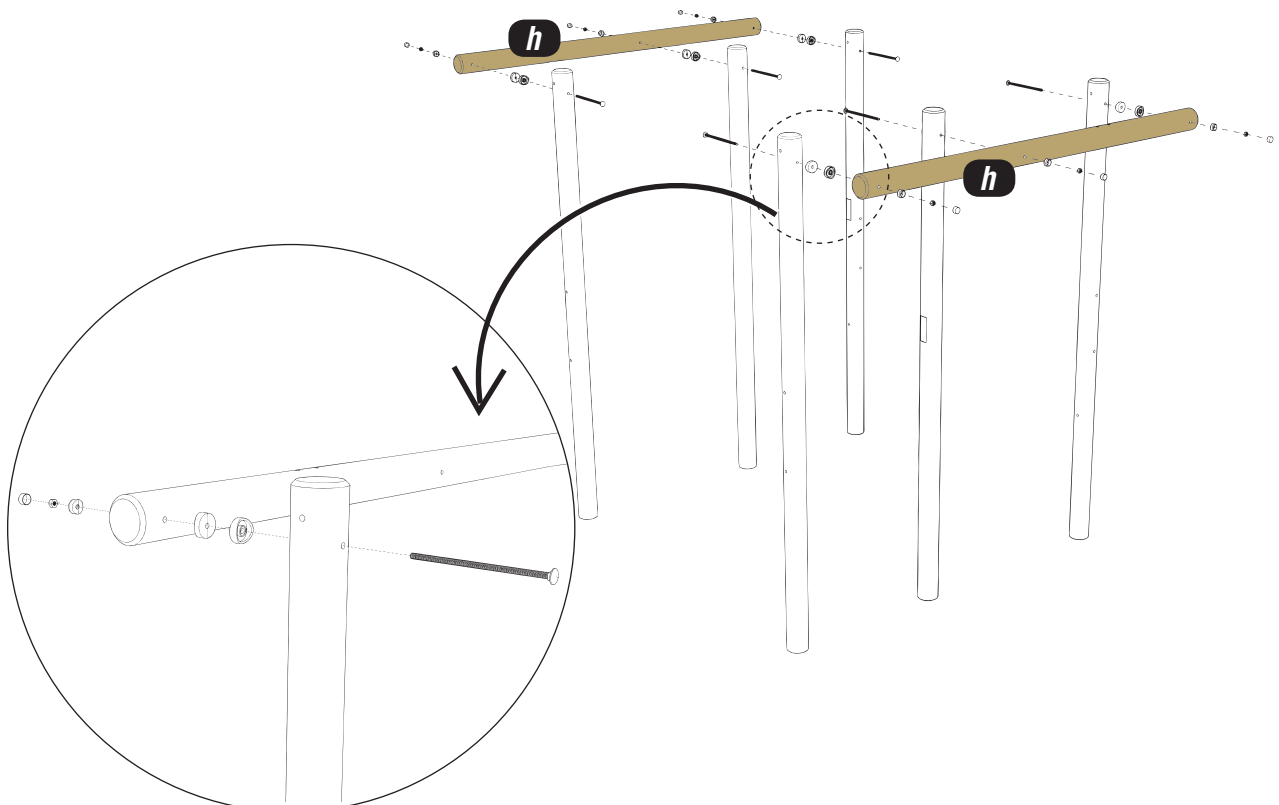
Follow Foundation details



**2**

## Attach the Timber CF101Rh to the Timbers CF101Ra/b/c/d/e

Using 12x 120 Distance piece/ 6x @300mm M12 SQUARE CUP HEX BOLTS / 6x NYLOCS / 6x END CAPS R60

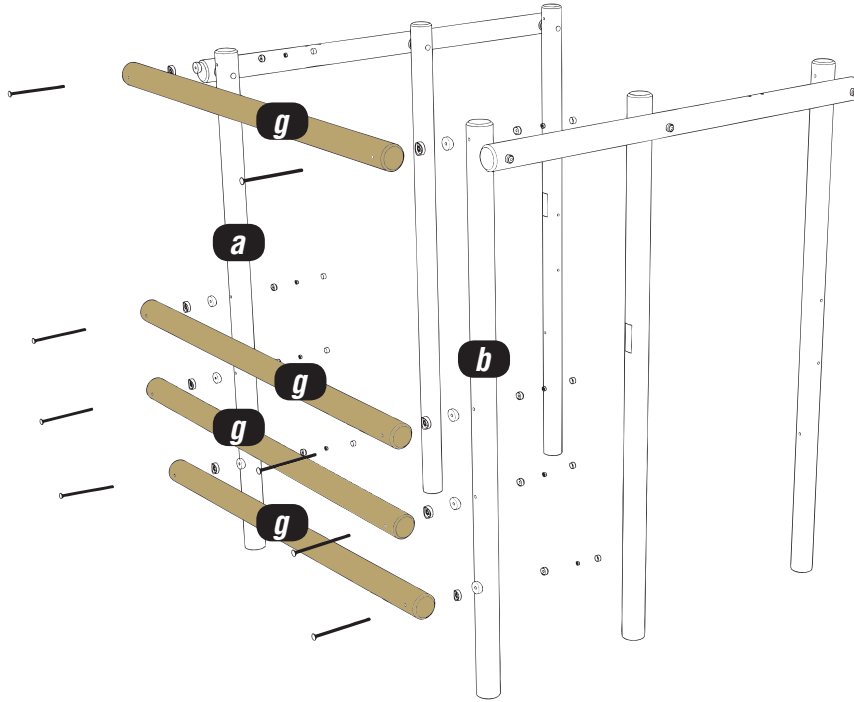


# Installation Instructions

**3**

## Attach the Timber CF101Rg to the Timbers CF101Ra/b

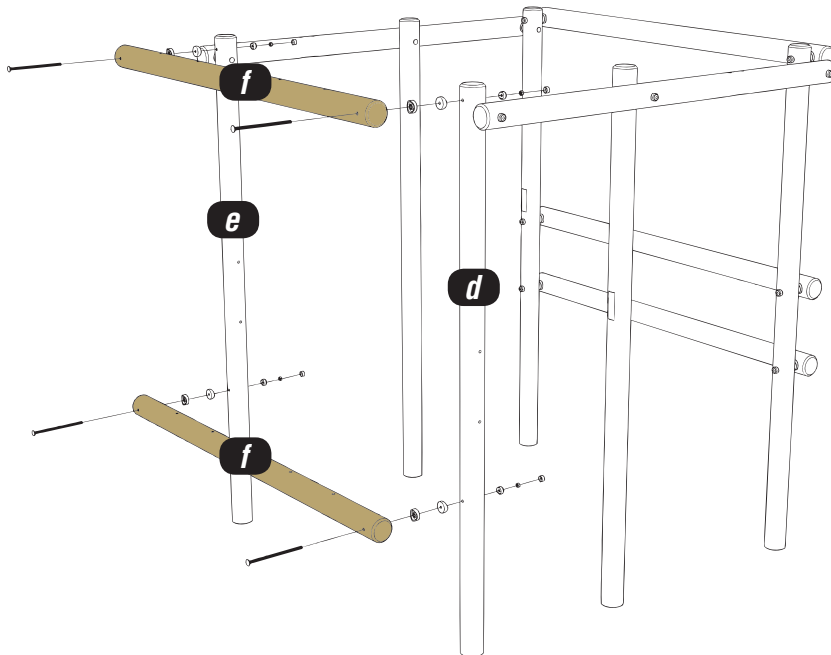
Using 16x 120 Distance piece/ 8x @300mm M12 SQUARE CUP HEX BOLTS / 8x NYLOCS / 8x END CAPS R60



**4**

## Attach the Timber CF101Rf to the Timbers CF101Rd/e

Using 8x 120 Distance piece/ 4x @300mm M12 SQUARE CUP HEX BOLTS / 4x NYLOCS / 4x END CAPS R60

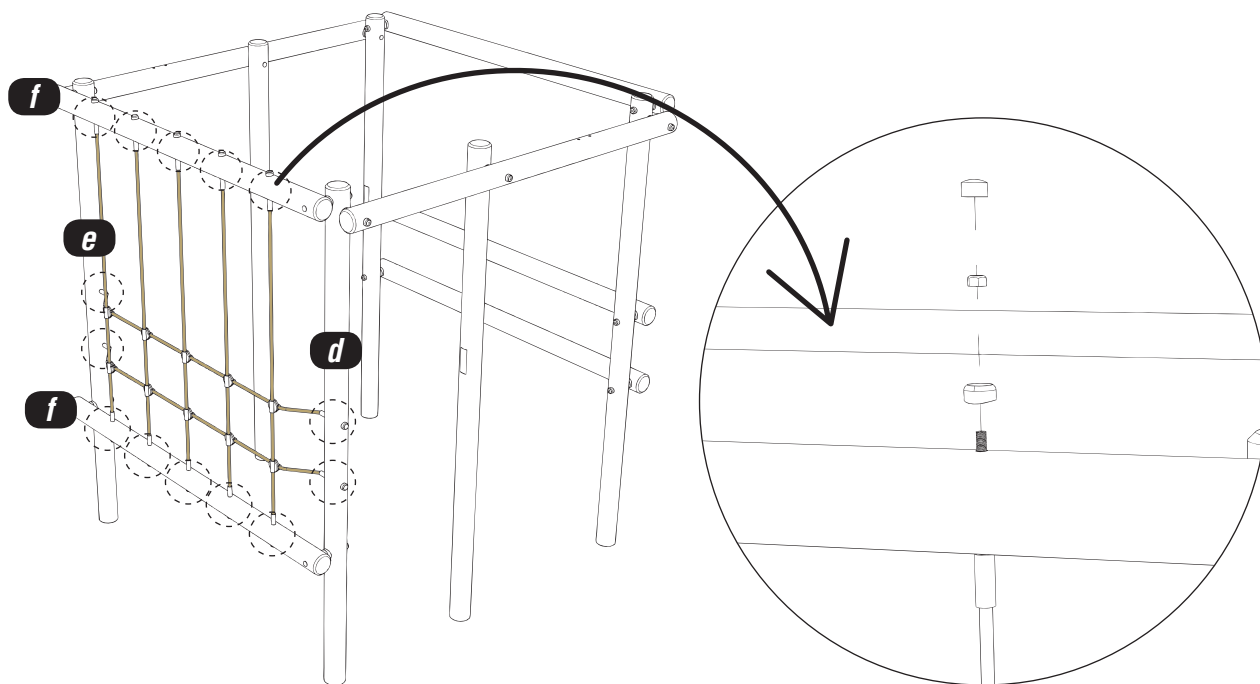


# Installation Instructions

**5**

## Attach NET to the Timbers CF101Rd/e/f

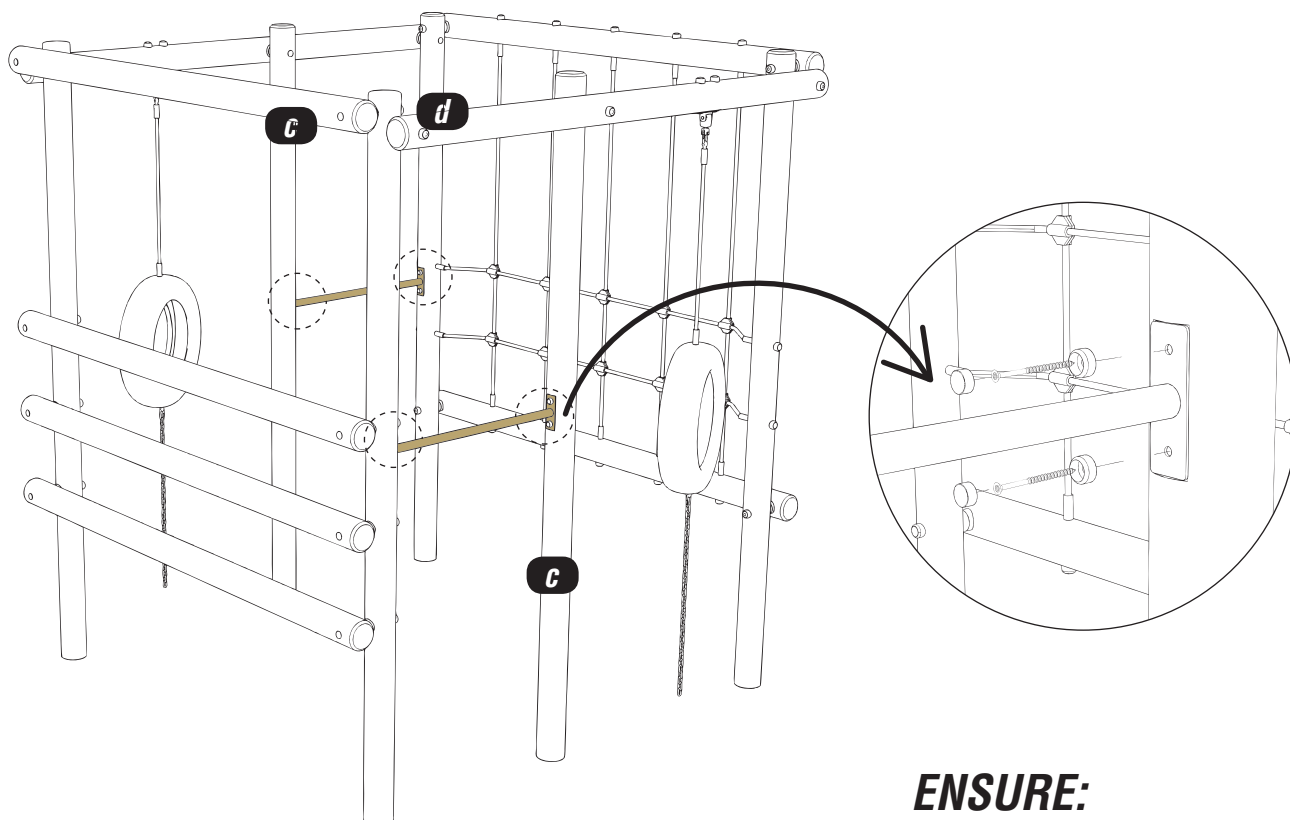
Using 14x NYLOCS / 14x END CAPS R60



**6**

## Attach STANDARD BAR to the Timbers CF101Rb/c/d

Using 8x FM80 Brass 'Screws' / 4x SMALL END CAPS



**ENSURE:**

Bars are positioned on the snaped parts

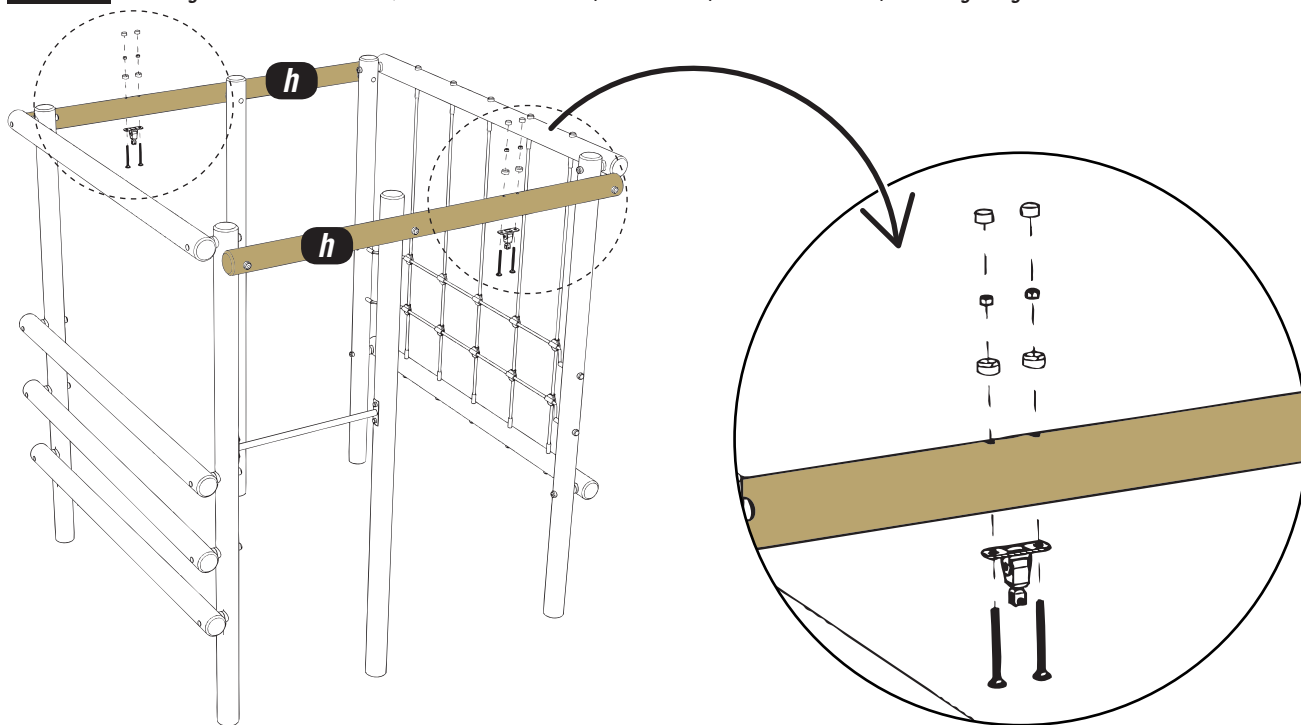


# Installation Instructions

7

## Attach SWINGHANGER to the Timbers CF101Rh

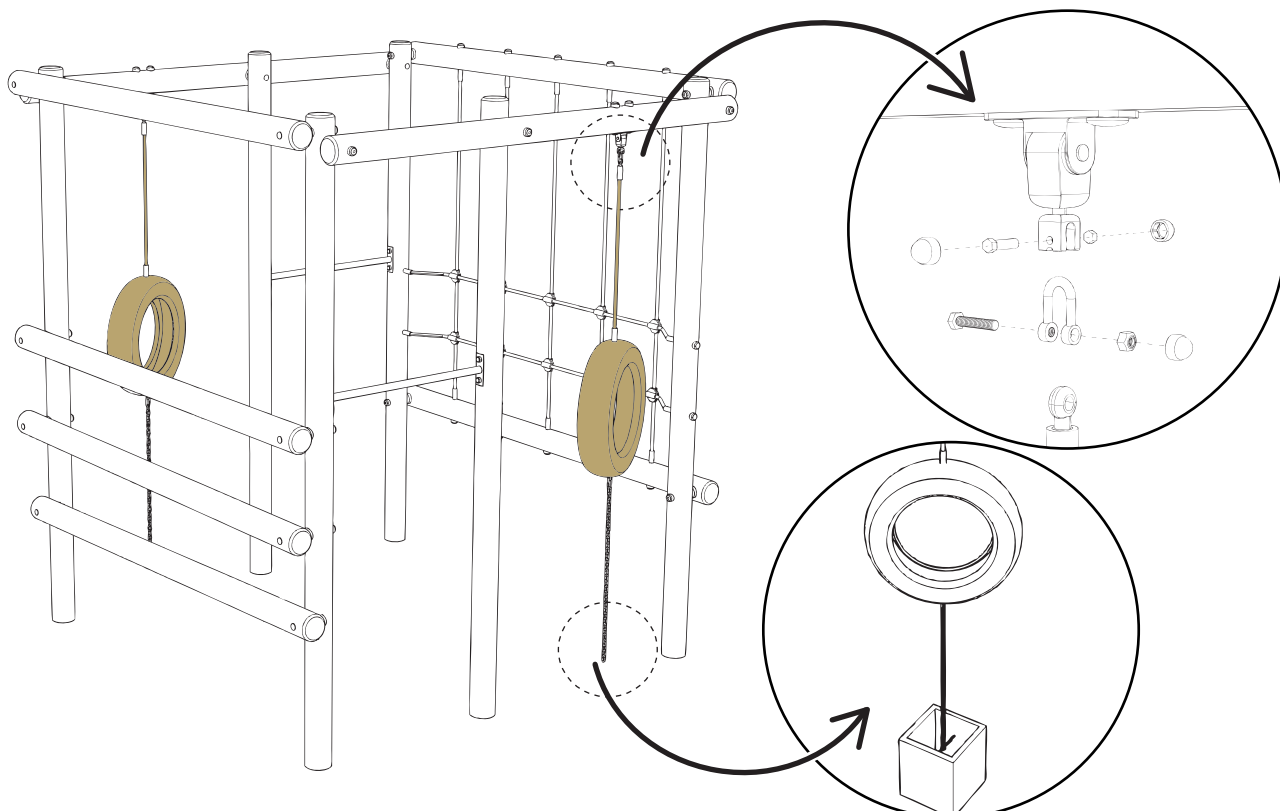
Using 4x @140mm M12 SQUARE CUP HEX BOLTS / 4x NYLOGS / 4x END CAPS R60 / 2x Swing Hangers



8

## Attach the TYRE ASSEMBLY to the SWINGANGERS

Using 2x D-Shackle/ 8x M8 Plastic Covers



# Additional Dimensions

---

