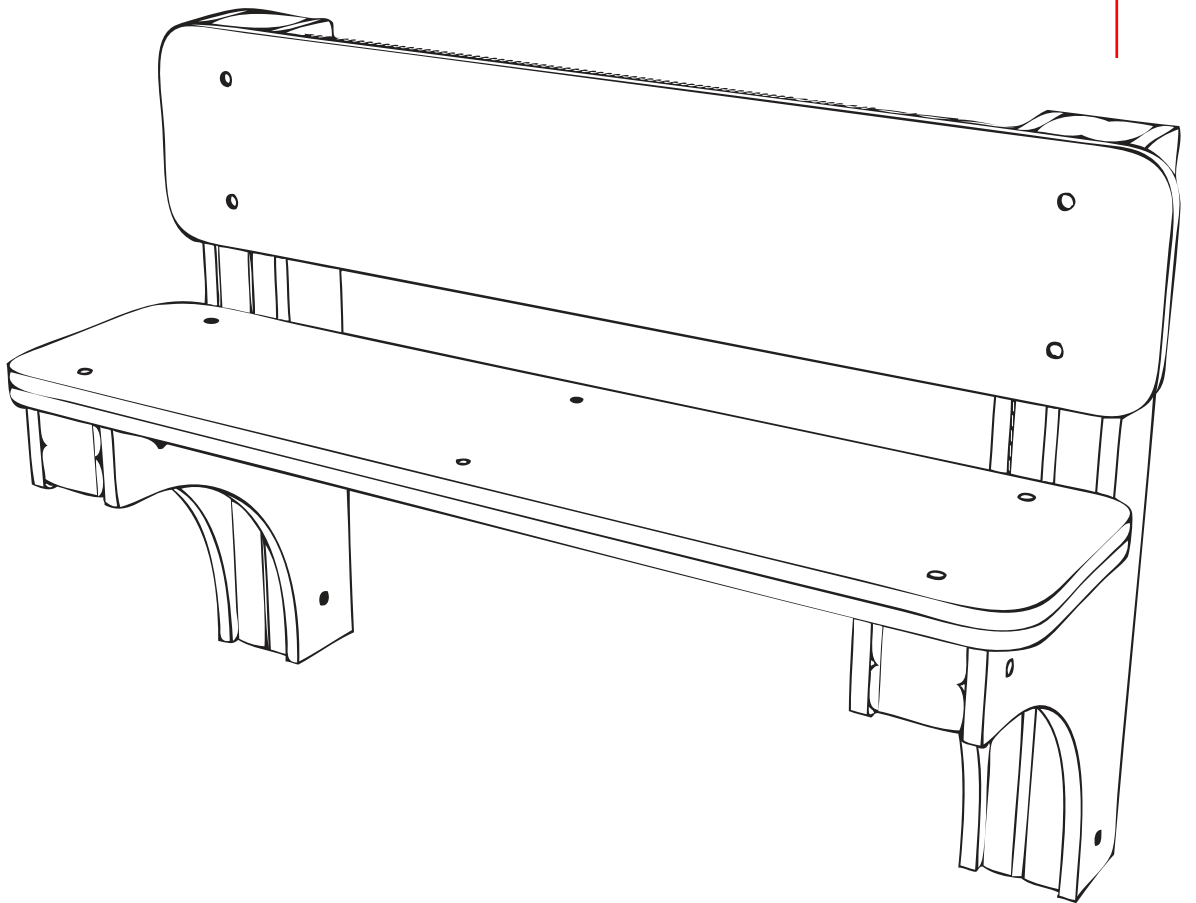


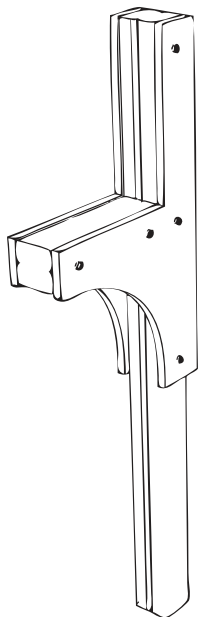
BENCH SEAT

Installation Instructions

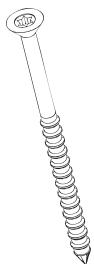
**creative
play**



PARTS required



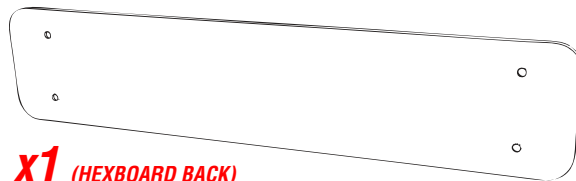
x2 (PRE-ASSEMBLED BENCH SIDES)



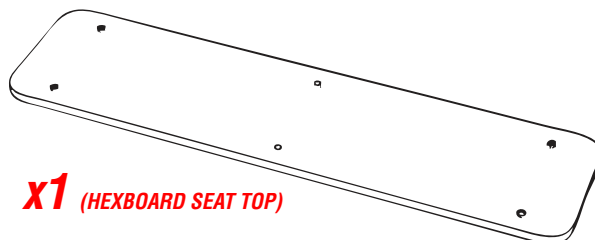
x8 (FM80 WOOD SCREWS)



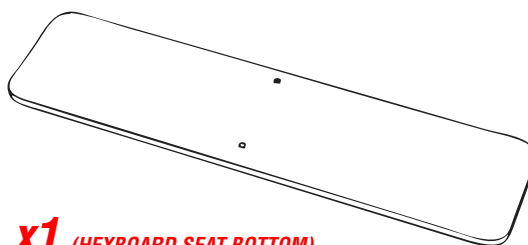
x2 (N3 Torxdrivers)



x1 (HEXBOARD BACK)



x1 (HEXBOARD SEAT TOP)

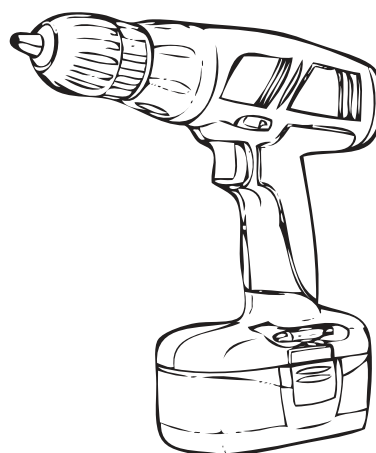


x1 (HEXBOARD SEAT BOTTOM)

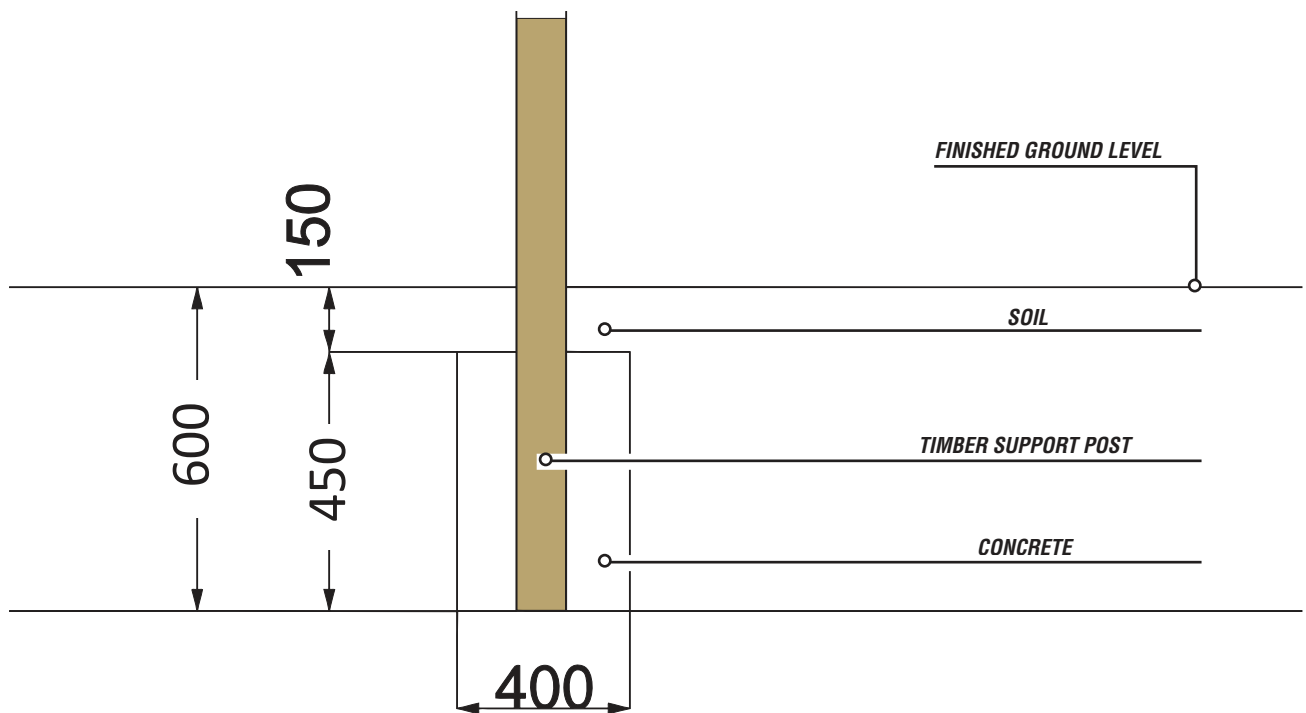


x2 (4B Torxdrivers)

TOOLS required



Foundation Details

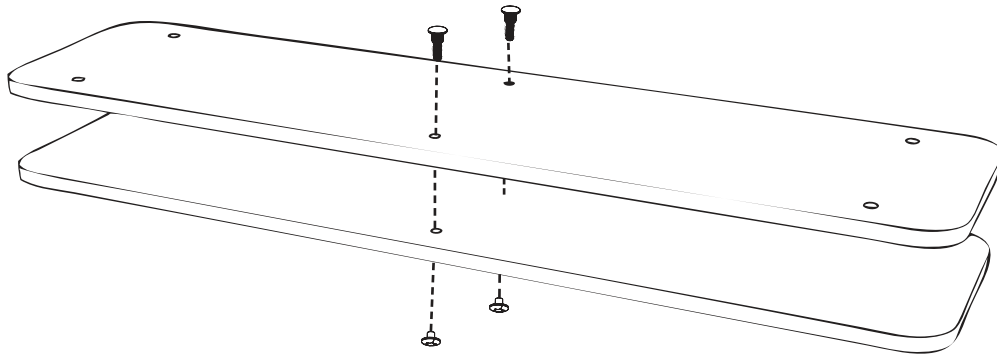


Installation Instructions

1

ASSEMBLE THE BENCH SEAT

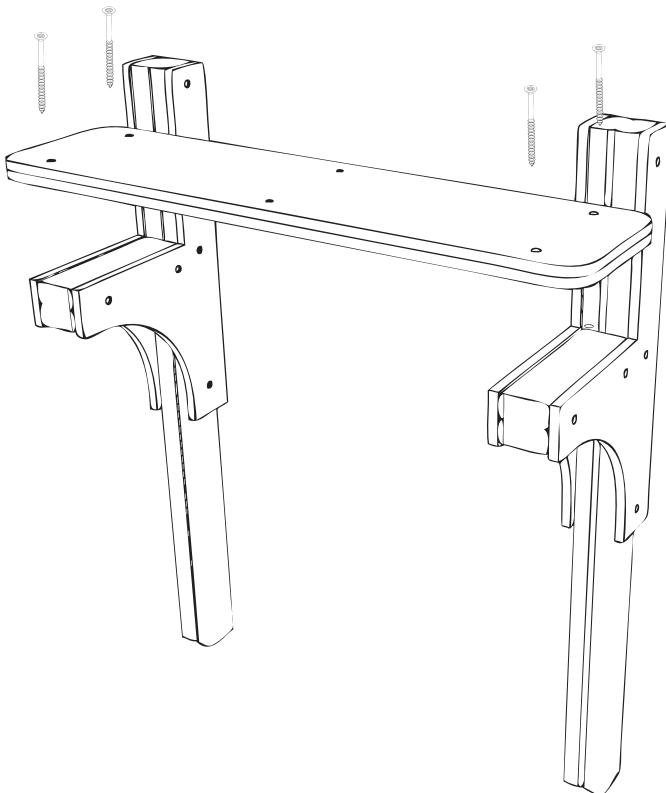
Using 2 X 4B/N3 TORKTAINERS



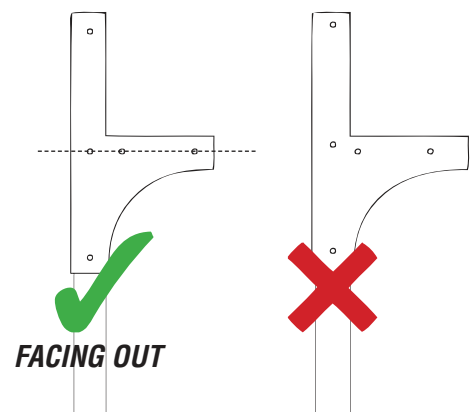
2

ATTACH BENCH SEAT TO BOTH SIDES

USING 4 X FM80 BRASS WOOD SCREWS



ENSURE:
THE CORRECT HOLE CONFIGURATION IS
FACING OUTWARDS ON BOTH SIDES

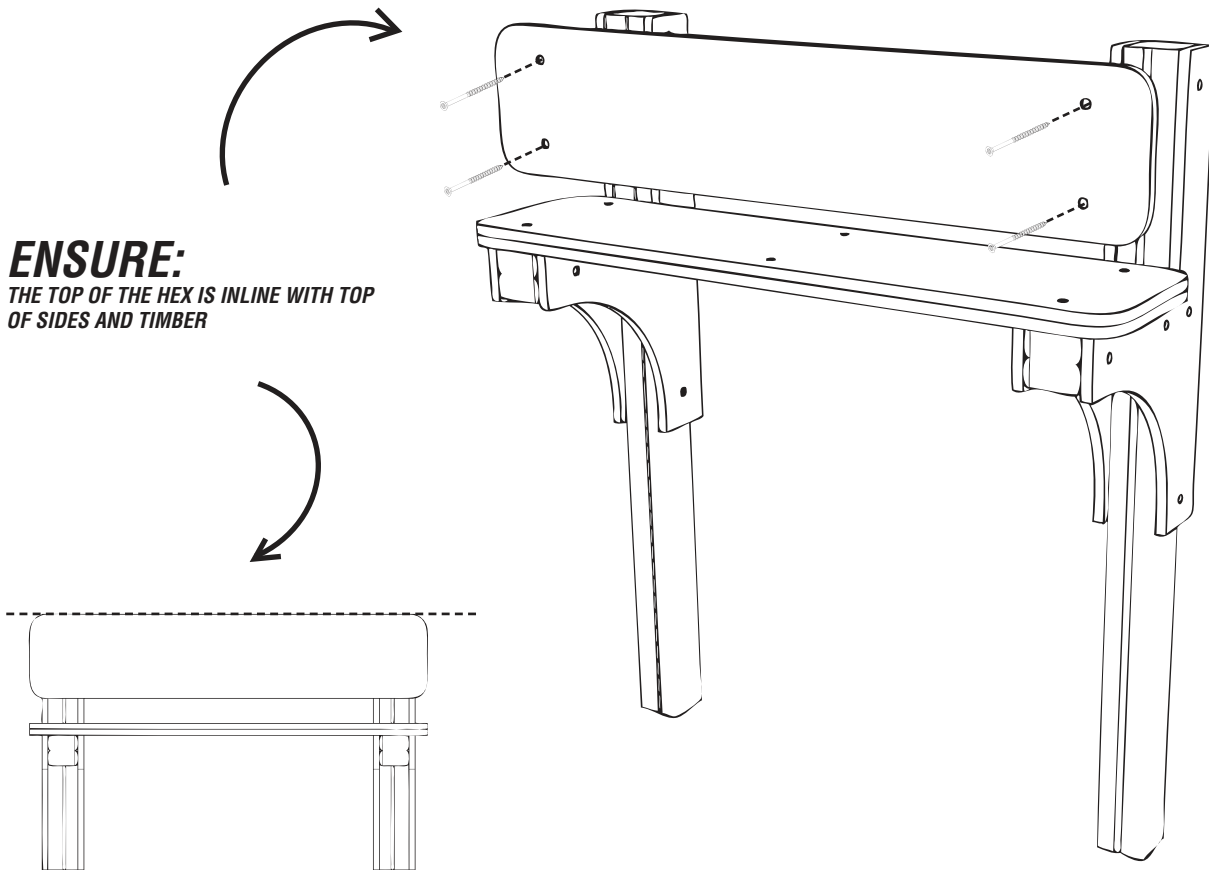


Installation Instructions

3

ATTACH BENCH BACK TO SIDES

Using 4 X FM80 BRASS WOOD SCREWS



Additional Dimensions

