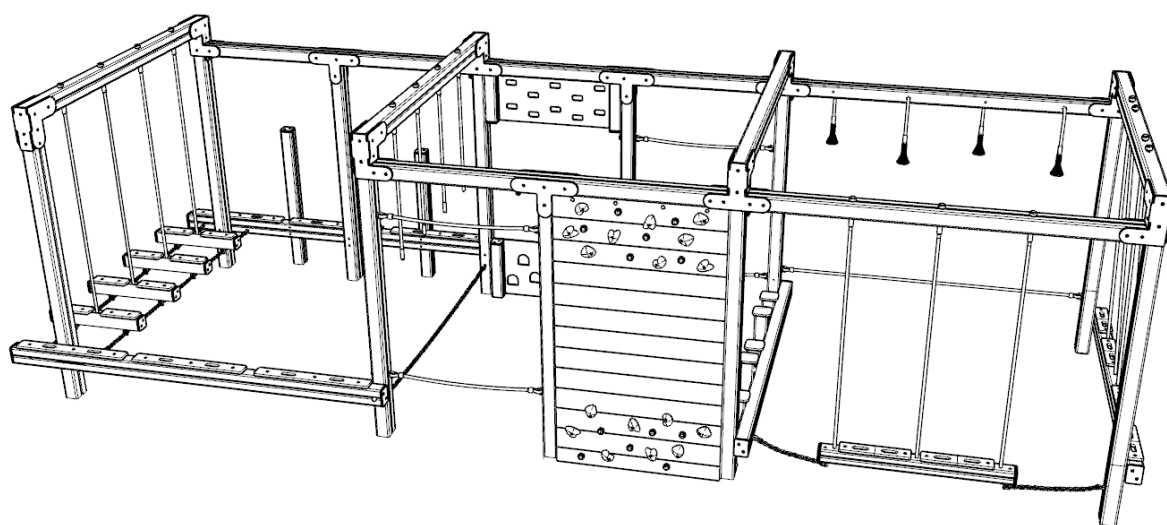
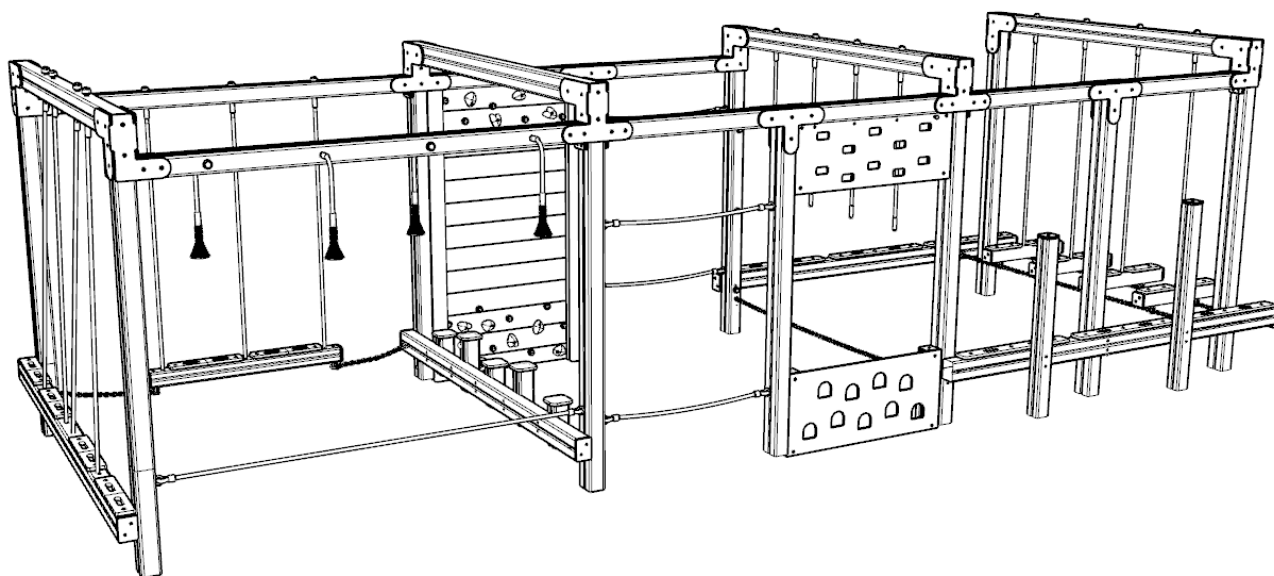
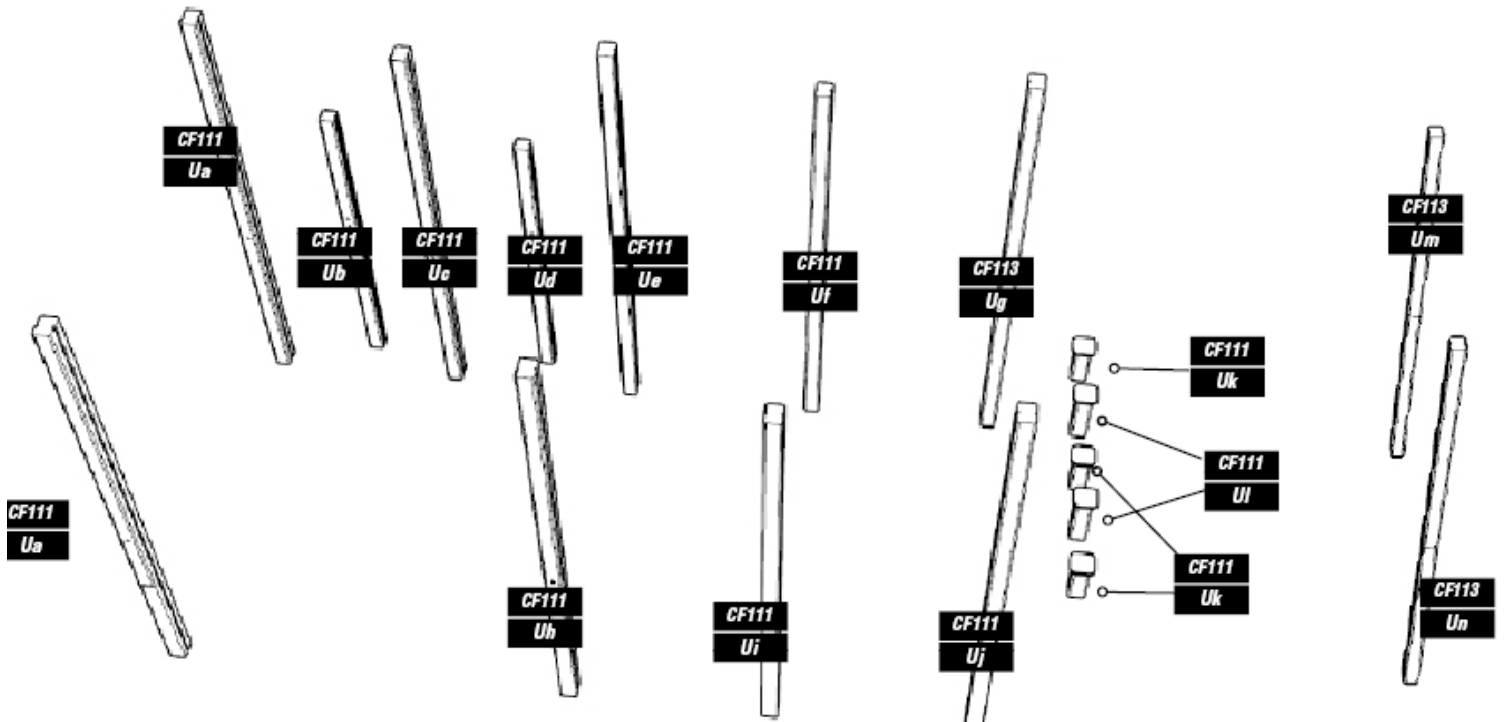


CF113 - SPEY CLIMBING FRAME: *Installation Instructions*

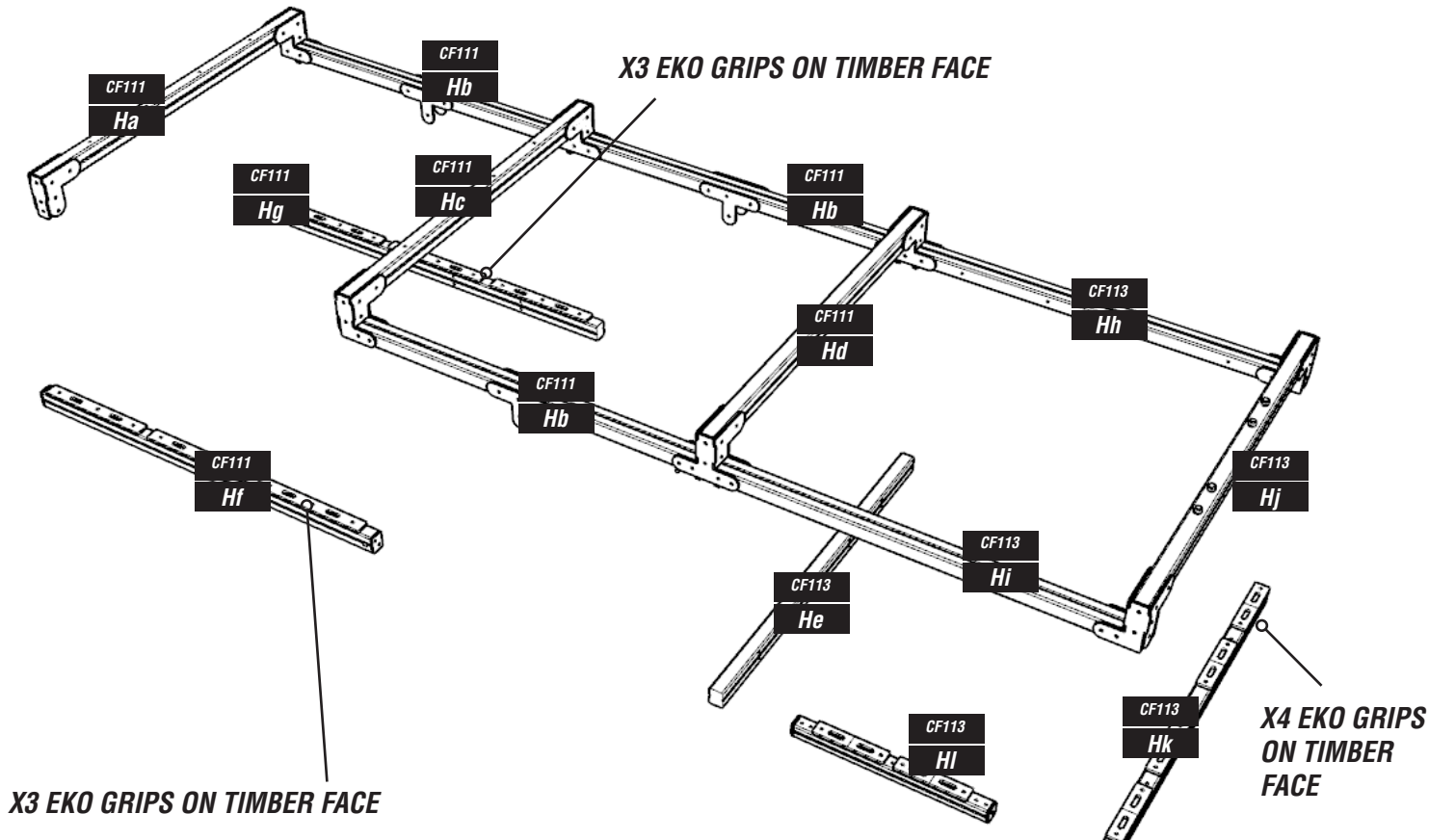
**creative
play**



PARTS REQUIRED



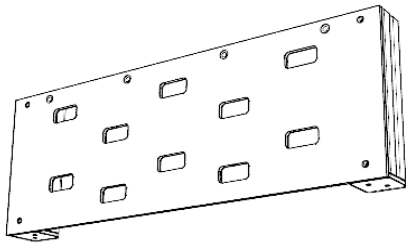
UPRIGHT TIMBERS



HORIZONTAL TIMBERS

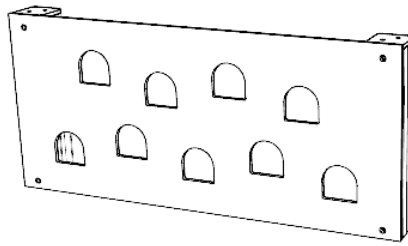
REF: CF113 SPEY CLIMBING FRAME

PARTS REQUIRED



x1

UPPER TRAVERSE PANEL



x1

LOWER TRAVERSE PANEL



x4

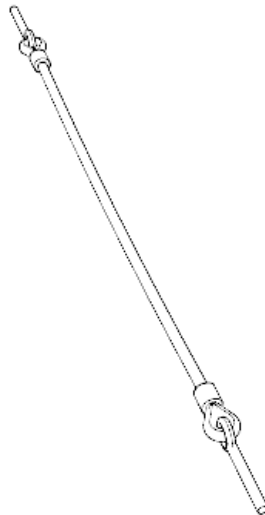
SWINGING ROPE



x1

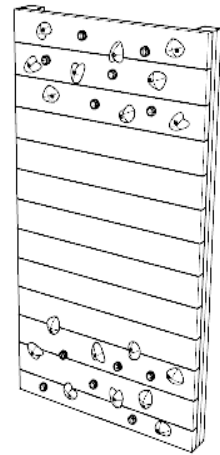
SWINGING ROPE CHAIN (SET)

(2150MM INC EYEBOLTS & D-SHACKLES)



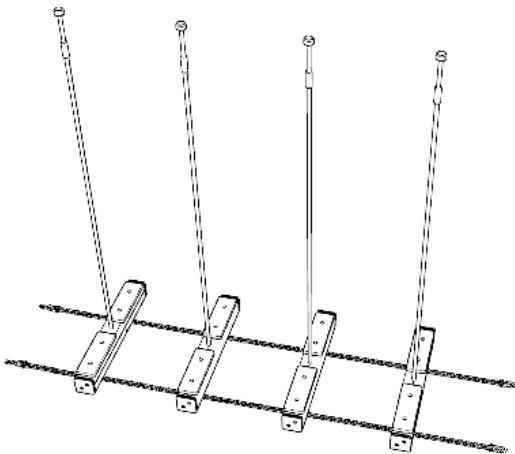
x4

INDIVIDUAL ROPE



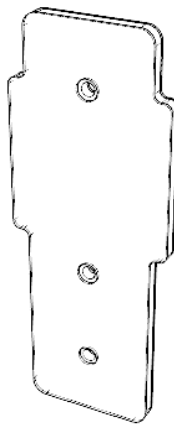
x1

TIMBER CLIMBING WALL



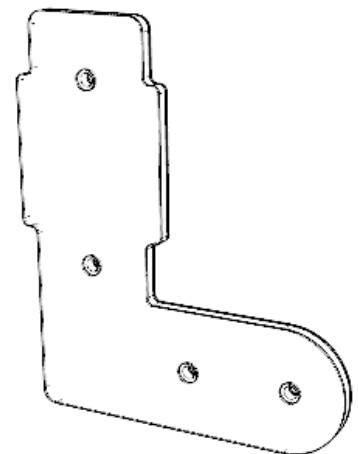
x1

PRE-ASSEMBLY - SMALL ROPE LOG WALK



x1

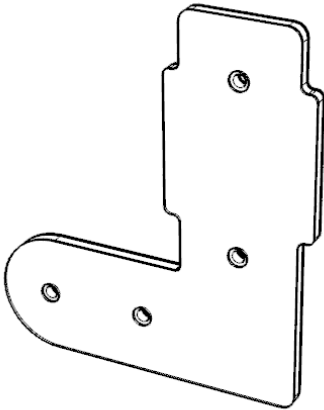
PLAYTEC - BACK



x2

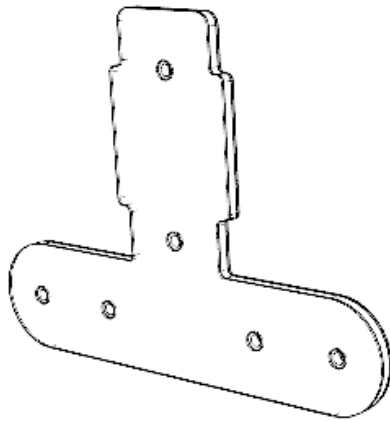
PLAYTEC L - RIGHT

PARTS REQUIRED



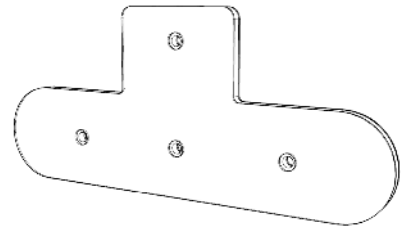
x2

PLAYTEC L - LEFT



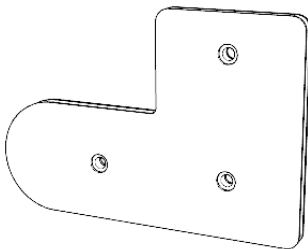
x3

PLAYTEC - SPECIAL T



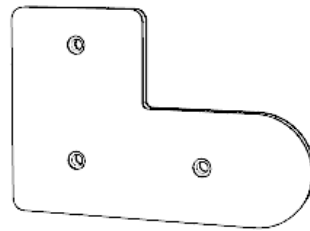
x3

PLAYTEC - INSIDE T



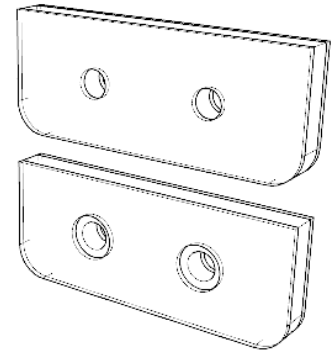
x2

PLAYTEC - SHORT L (LEFT)



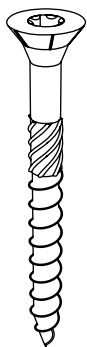
x2

PLAYTEC - SHORT L (RIGHT)



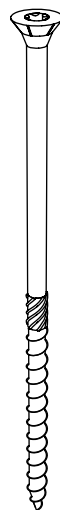
x 8 (PAIRS)

PLAYTEC - UNDER BRACKETS



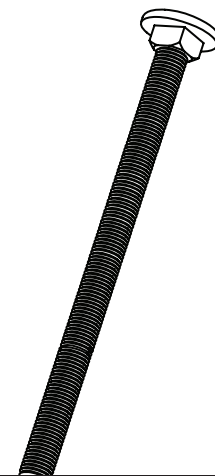
x140

97.M8X80CSK



x20

97.M8X180CSK



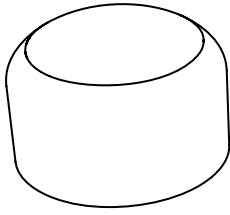
x2

M12 X 230

x24

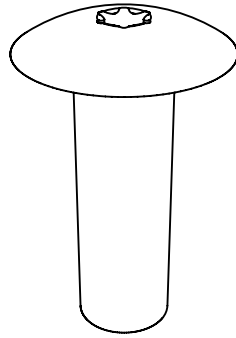
M12 X 220

PARTS REQUIRED



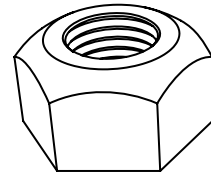
x60

M12 ENDCAP



x2

M12 SOCKET NUT (50MM)



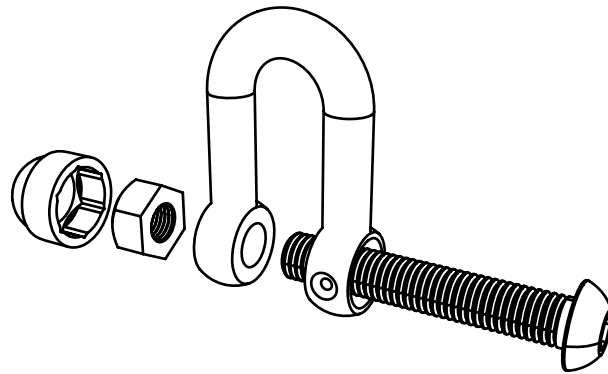
x60

656.M12



x2

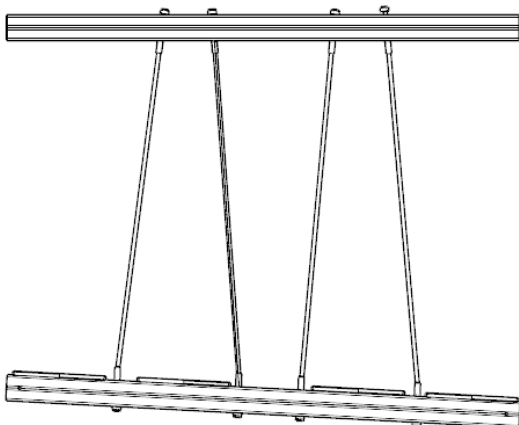
EYEBOLT M12



**CONSISTS OF
SHACKLE / BOLT / NYLOC / CAP**

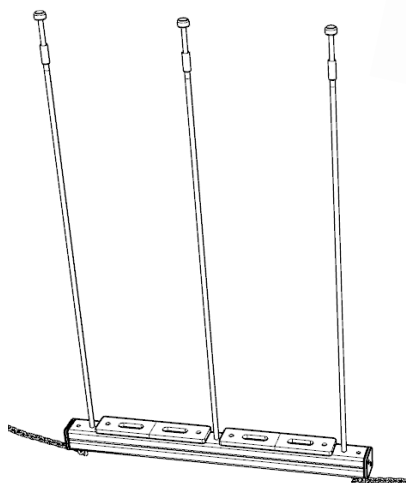
x4

349.742.D-SHACKLE 'SET'



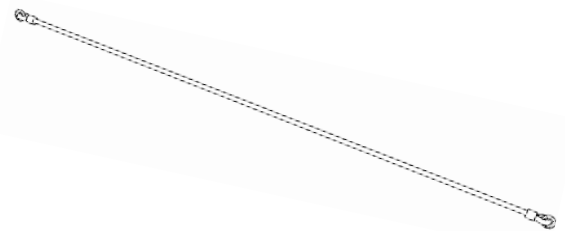
x1

INCLINED ROPE WEAVE ASSEMBLY



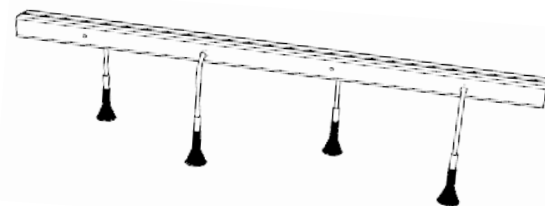
x1

LGO SWING PRE-ASSEMBLY



x1

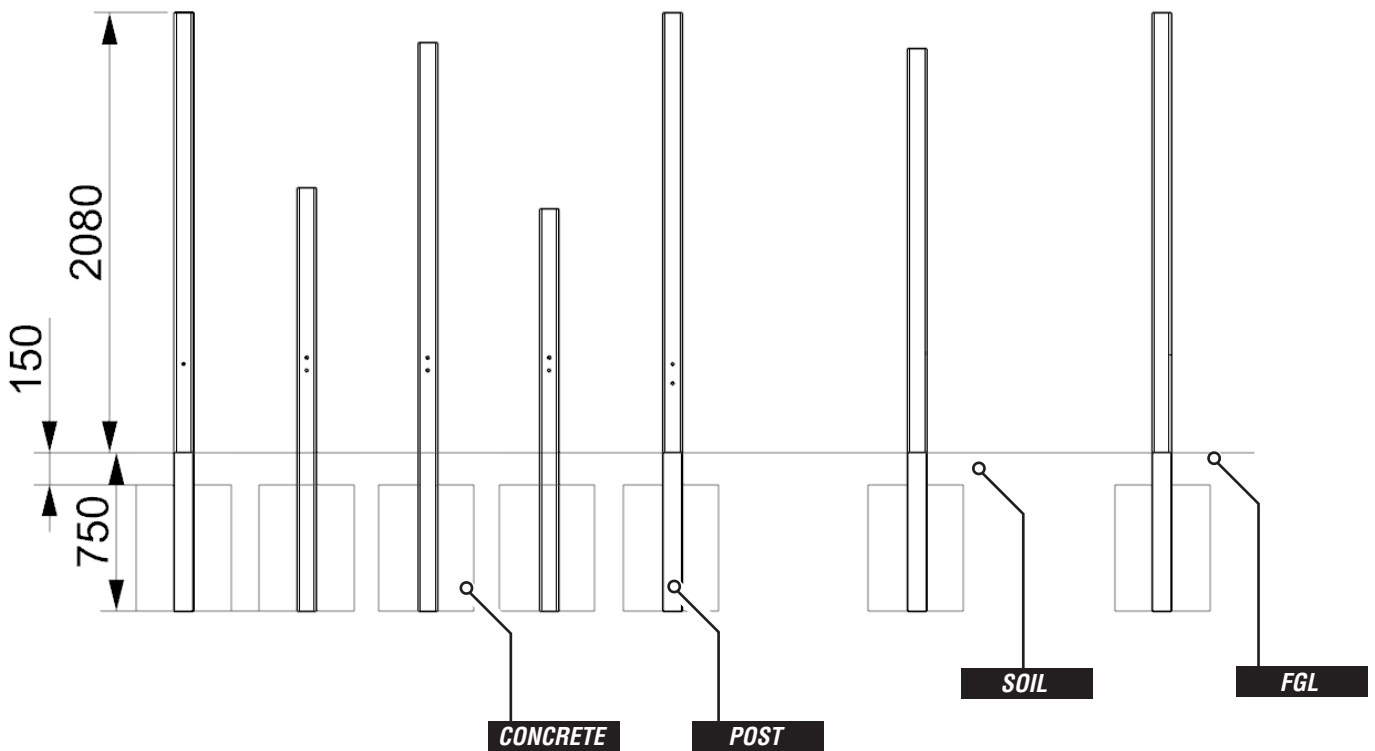
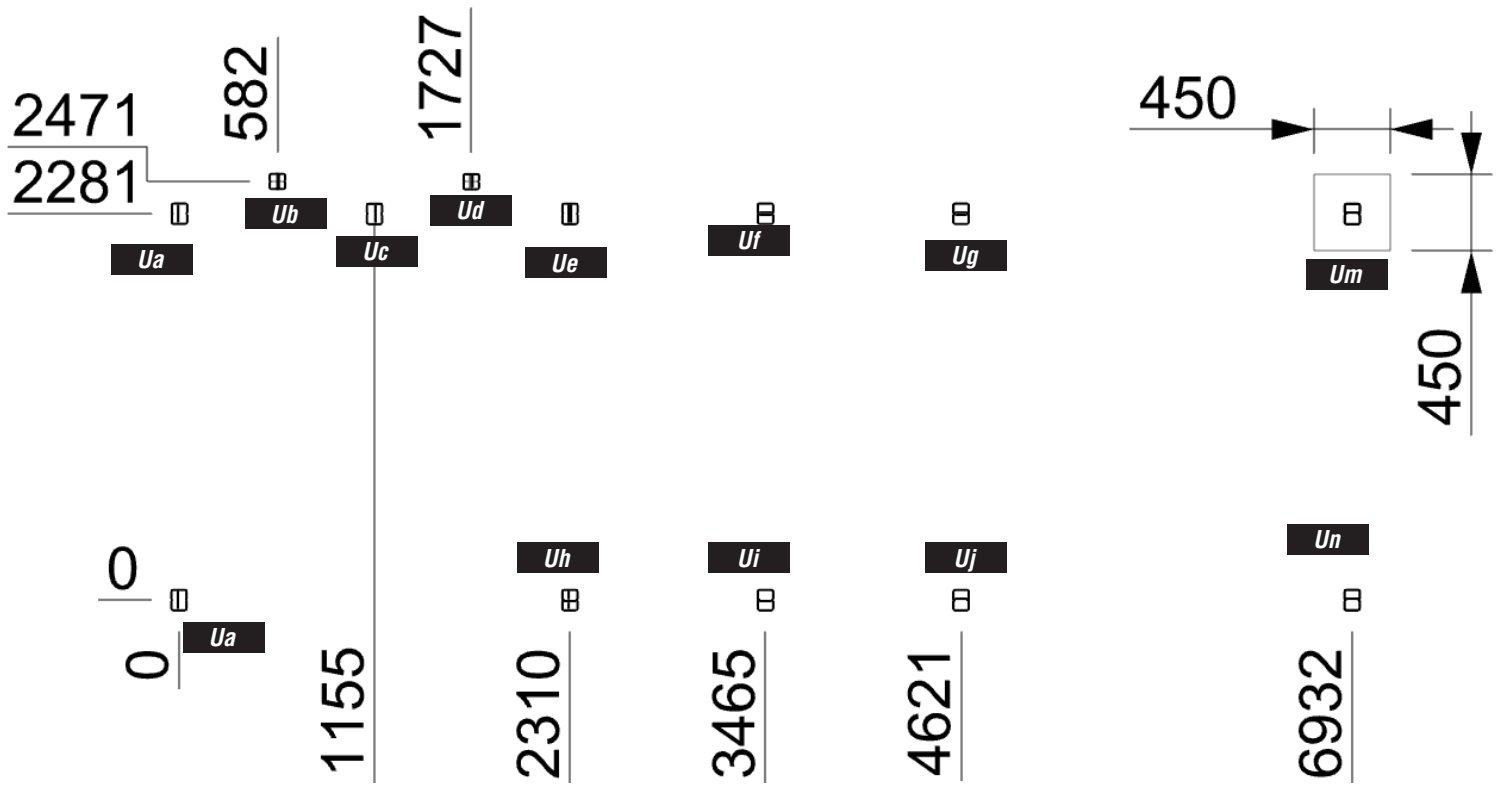
GRIPPED ROPE PRE-ASSEMBLY



x1

GRIPPED ROPE PRE-ASSEMBLY

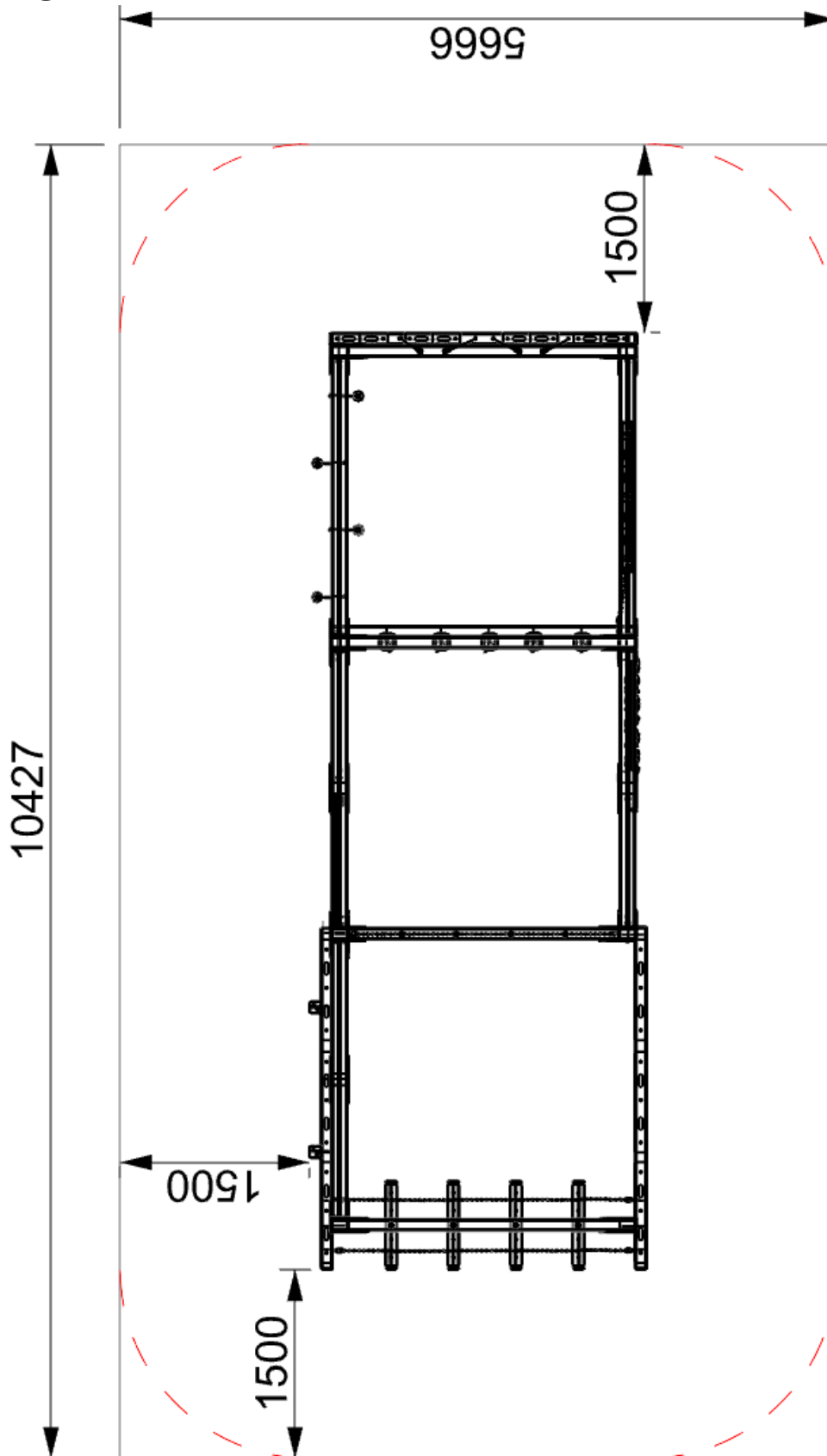
FOUNDATION DETAILS



SURFACING DETAILS

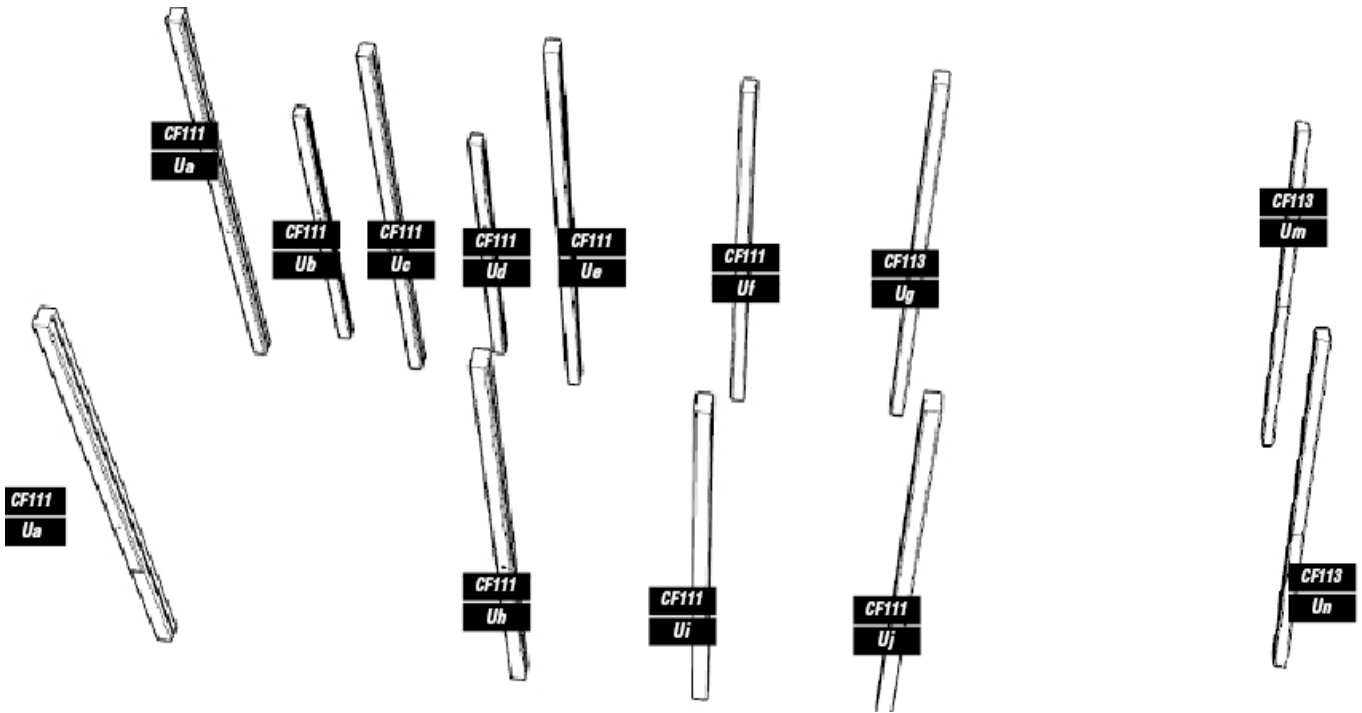
--- = MINIMUM SPACE

— = OVERALL AREA

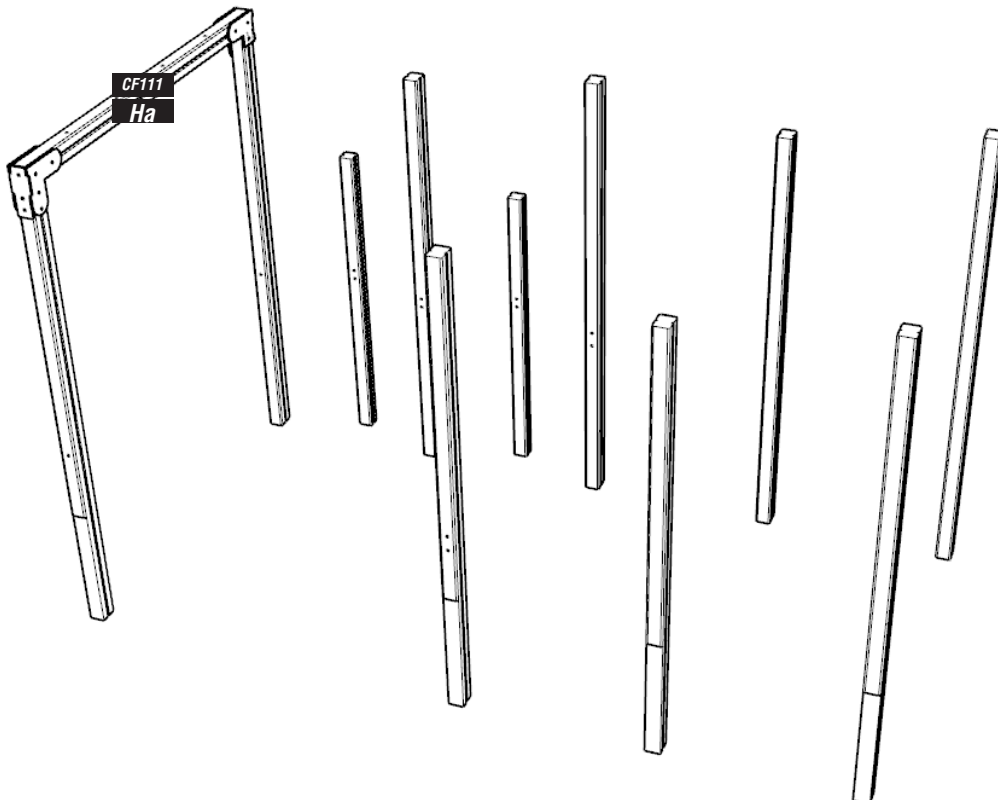


INSTALLATION INSTRUCTIONS

1 POSITION THE UPRIGHT TIMBERS FOLLOWING FOUNDATION DETAILS



2 ATTACH TIMBER Ha USING 8X80 WOOD SCREWS

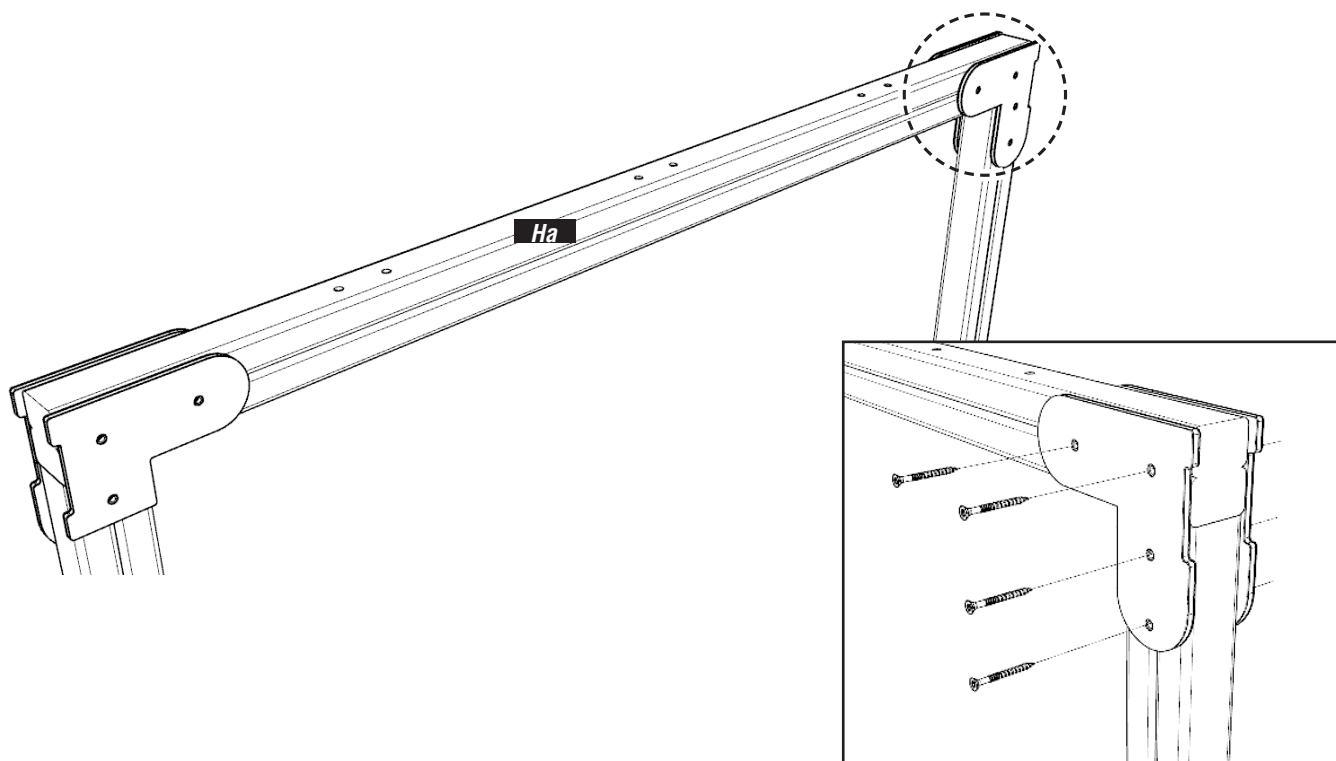


INSTALLATION INSTRUCTIONS

3

ENSURE BRACKETS ARE POSITIONED AS SHOWN BELOW

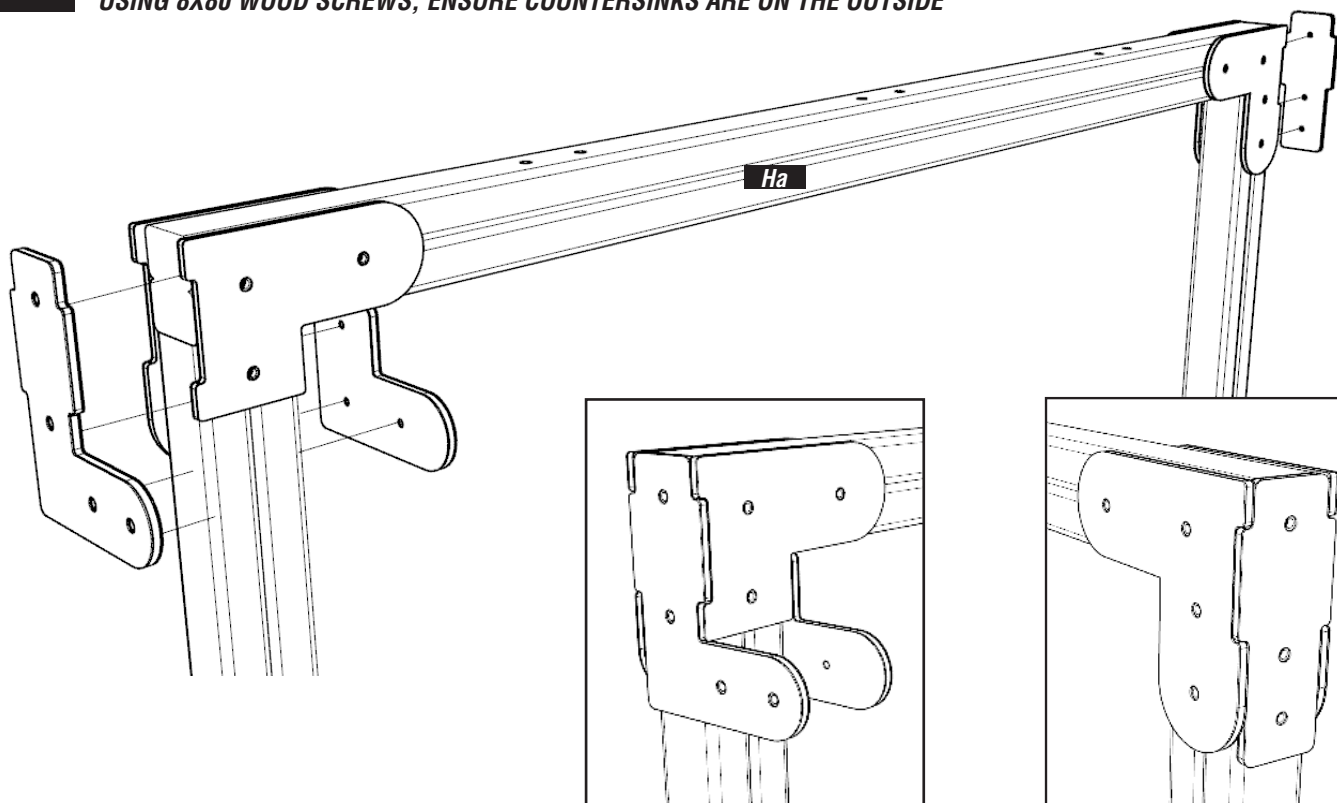
TAKE CARE THAT SCREWS DO NOT 'CROSS'



4

ATTACH PLAYTEC - BACK, SHORT L (LEFT) & L (RIGHT)

USING 8X80 WOOD SCREWS, ENSURE COUNTERSINKS ARE ON THE OUTSIDE



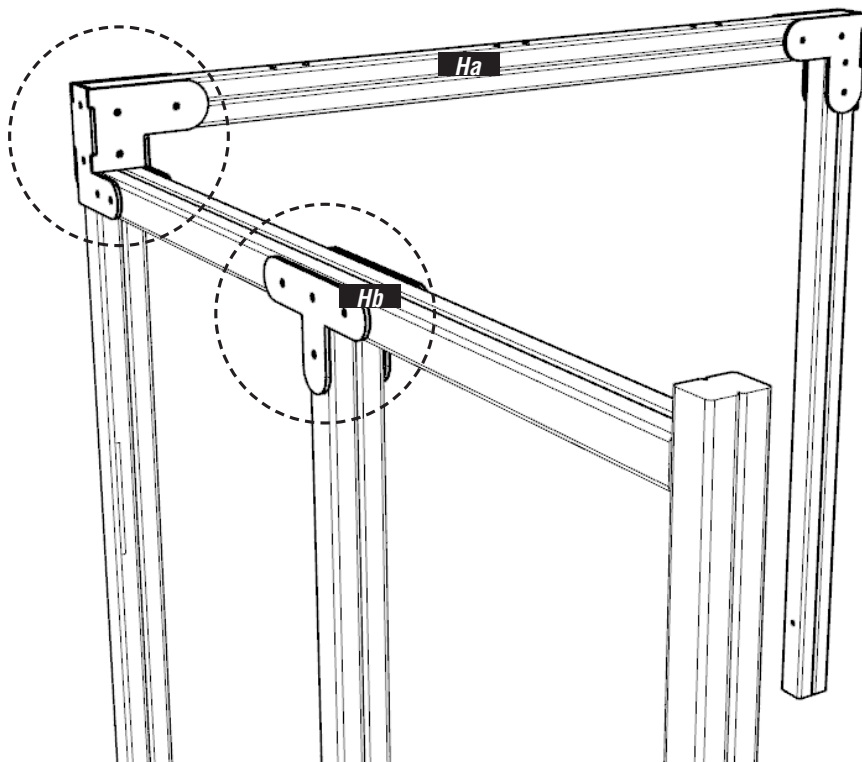
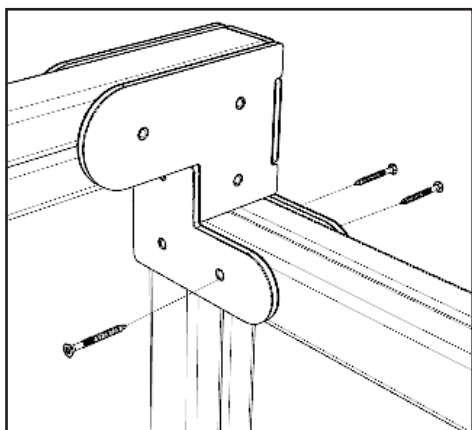
INSTALLATION INSTRUCTIONS

5

ATTACH TIMBER Hb
USING 8X80 WOOD SCREWS

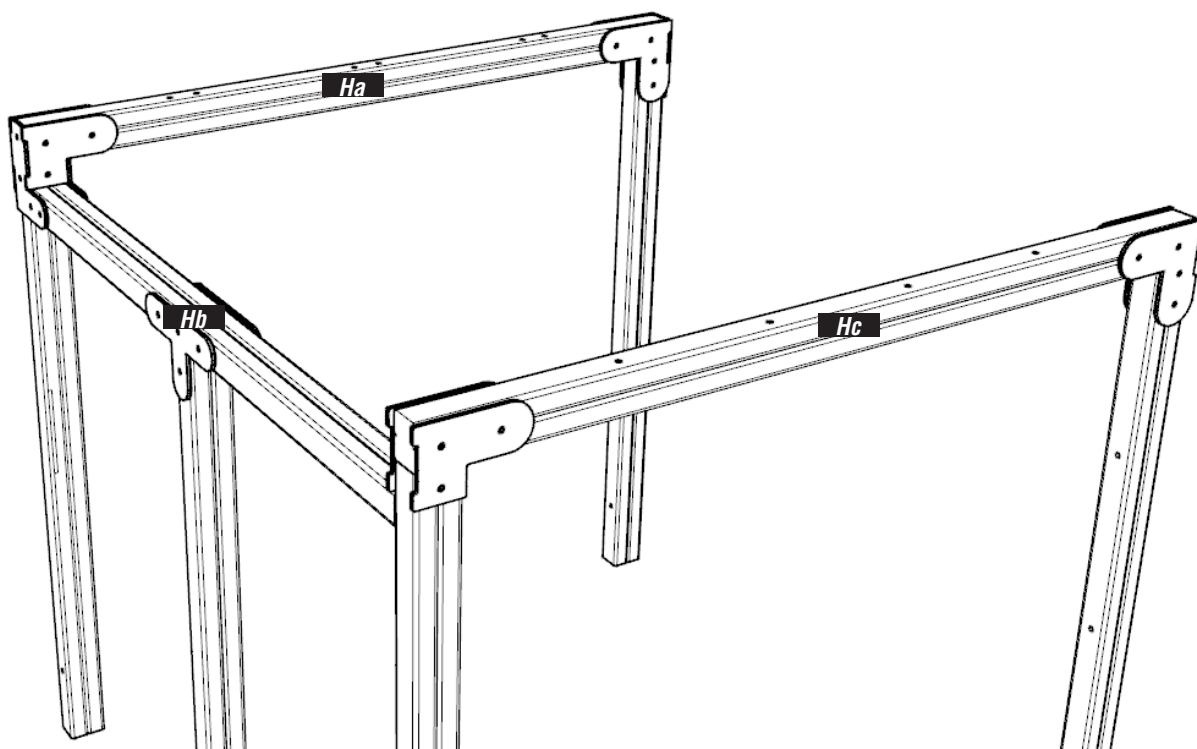
NOTES:

PLEASE ENSURE THE Hb IS FURTHER
ATTACHED TO THE Ha PLAYTEC BRACKET



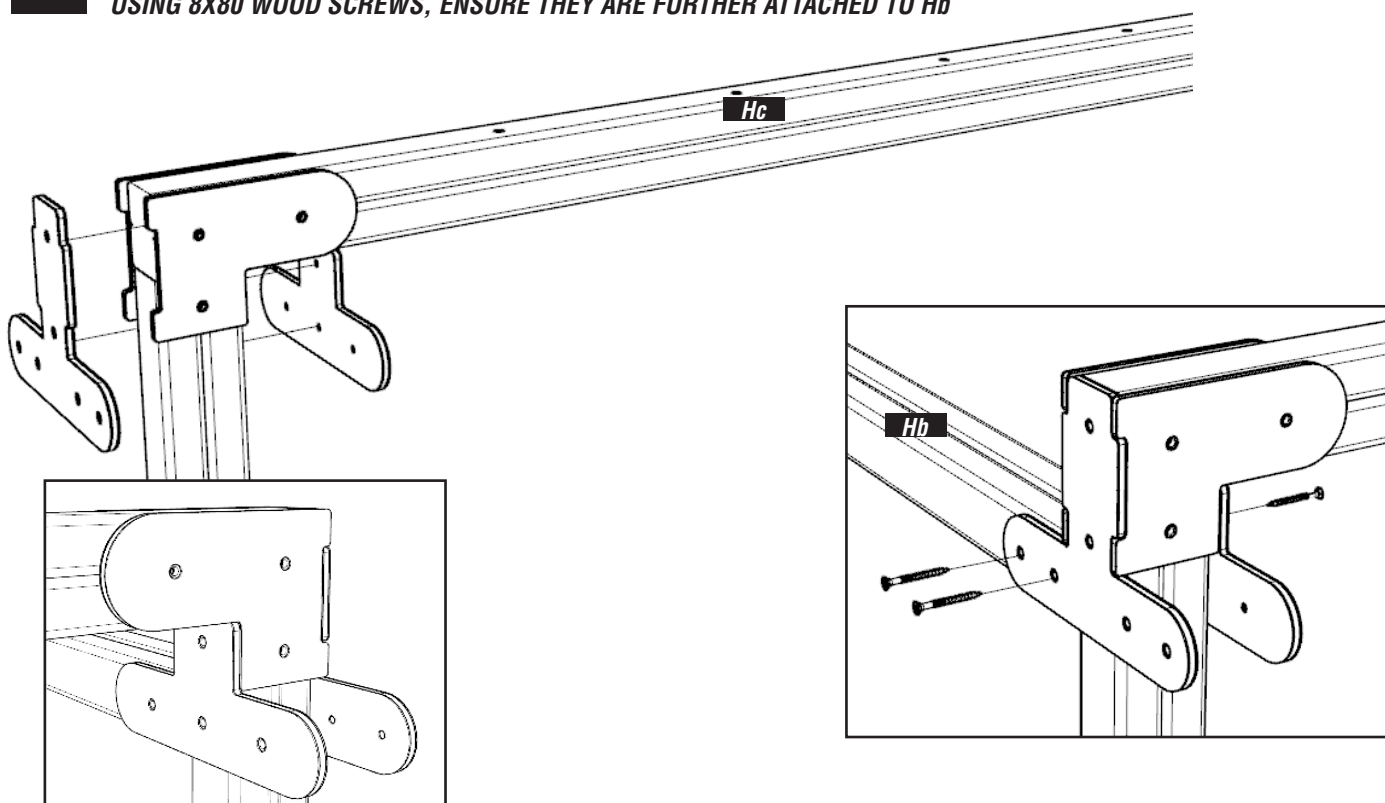
6

ATTACH TIMBER Hc
USING 8X80 WOOD SCREWS

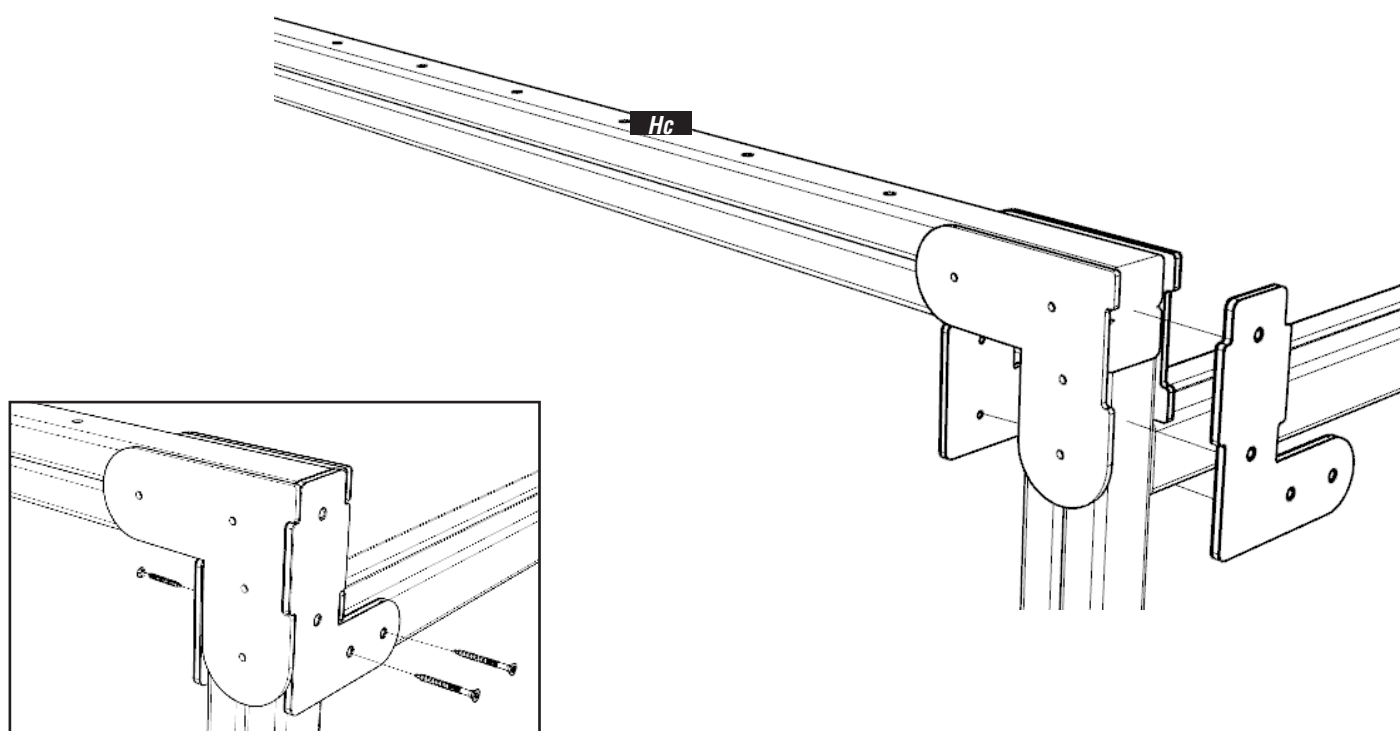


INSTALLATION INSTRUCTIONS

- 7** **ATTACH PLAYTEC - SPECIAL T , INSIDE T & BACK**
USING 8X80 WOOD SCREWS, ENSURE THEY ARE FURTHER ATTACHED TO Hb



- 8** **ATTACH PLAYTEC - L (RIGHT), SHORT L (LEFT)**
USING 8X80 WOOD SCREWS, ENSURE THEY ARE FURTHER ATTACHED TO Hb AS SHOWN

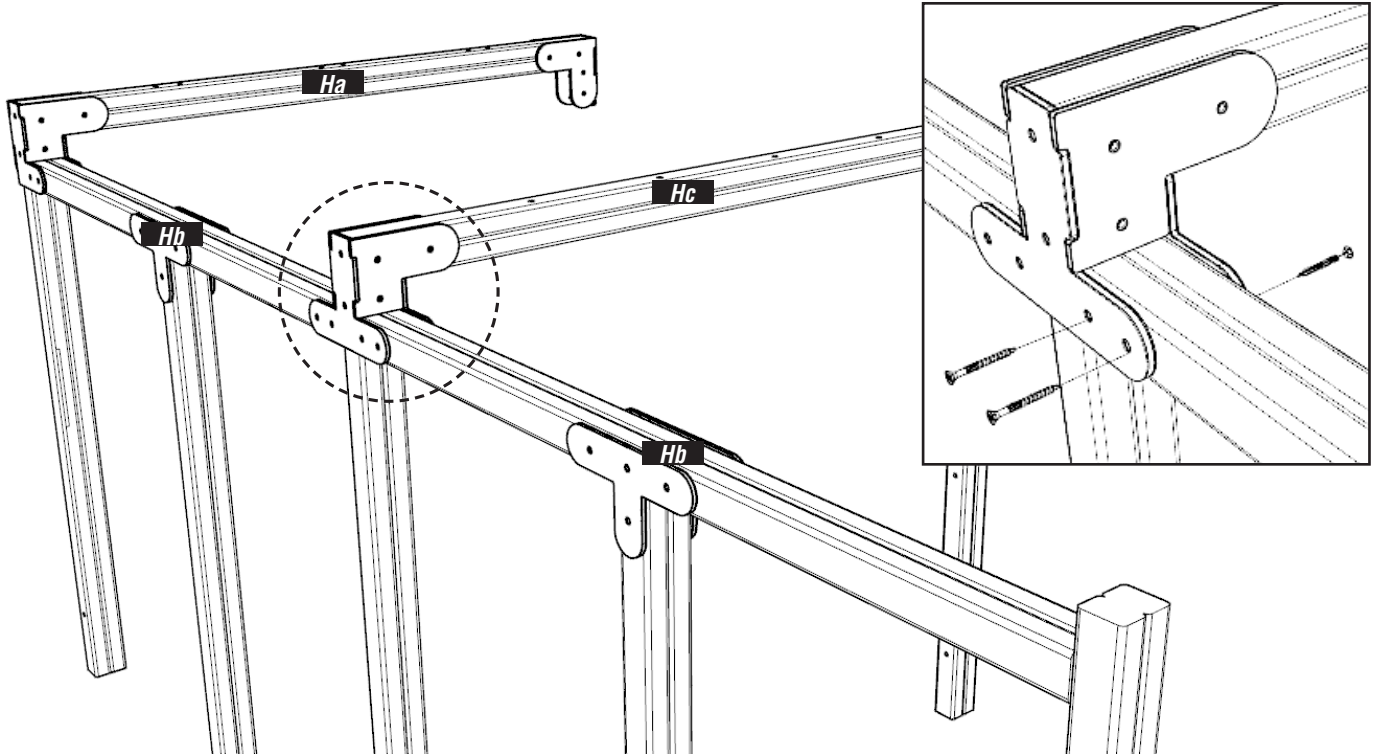


INSTALLATION INSTRUCTIONS

9

ATTACH SECOND H_b TIMBER

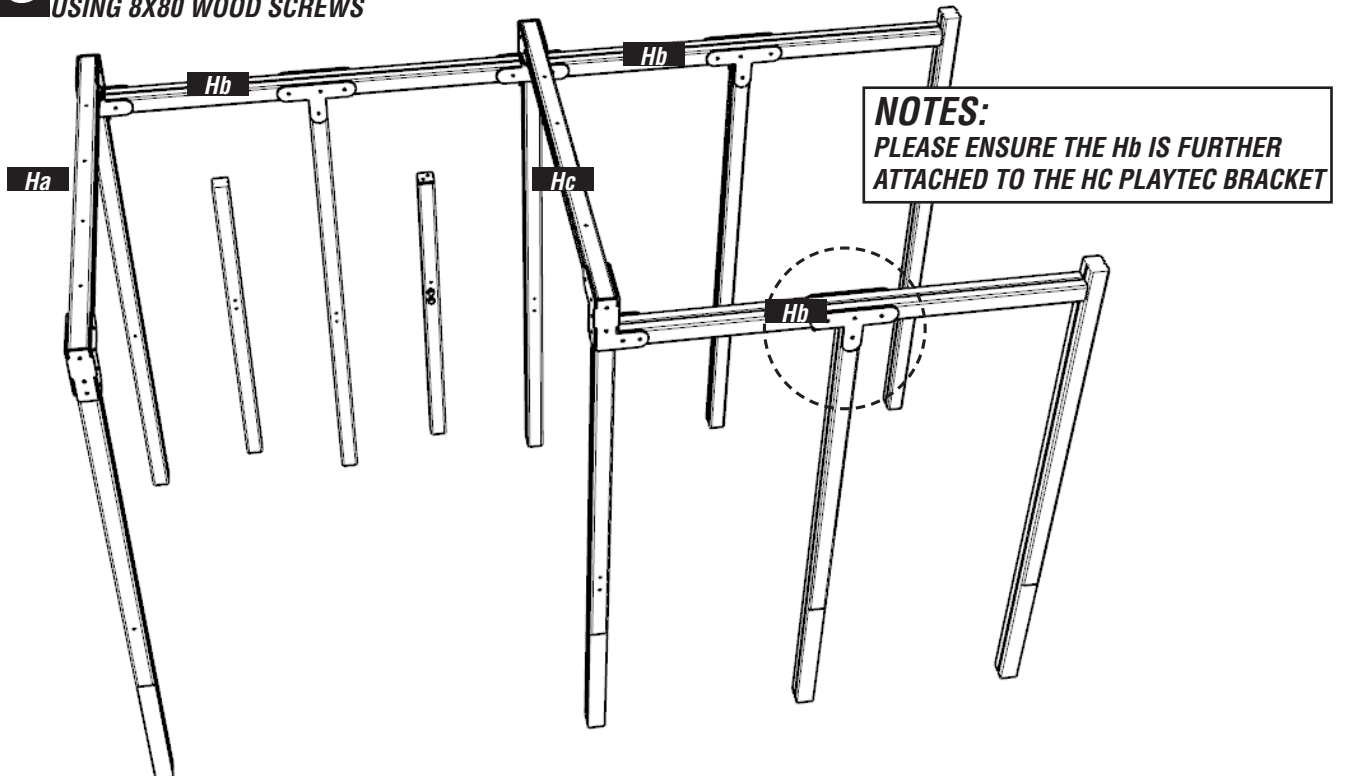
USING 8X80 WOOD SCREWS, ENSURE IT IS FURTHER ATTACHED TO THE H_c SPECIAL T BRACKET AS SHOWN



10

ATTACH TIMBER H_b

USING 8X80 WOOD SCREWS

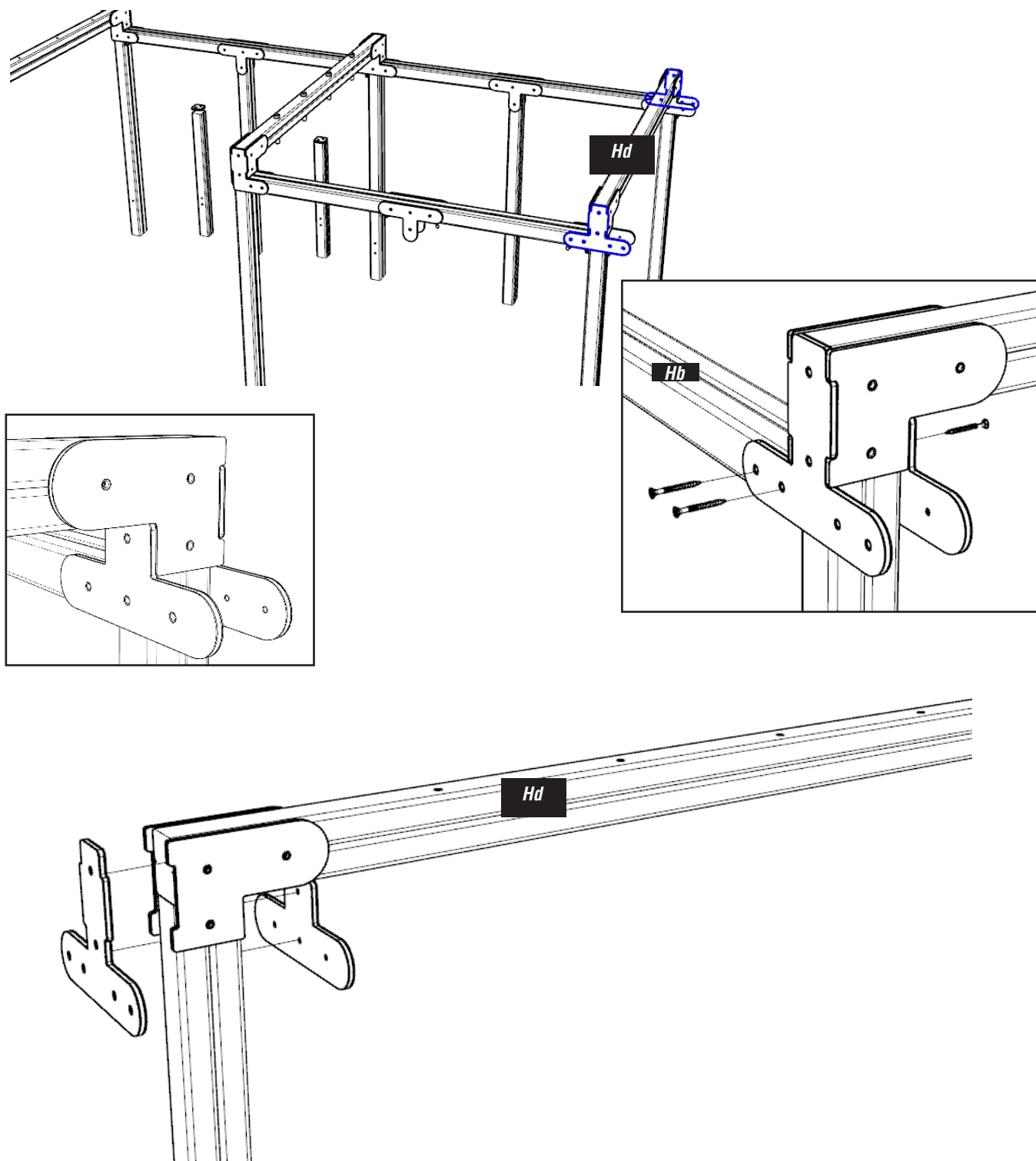


INSTALLATION INSTRUCTIONS

11

ATTACH SECOND Hd TIMBER

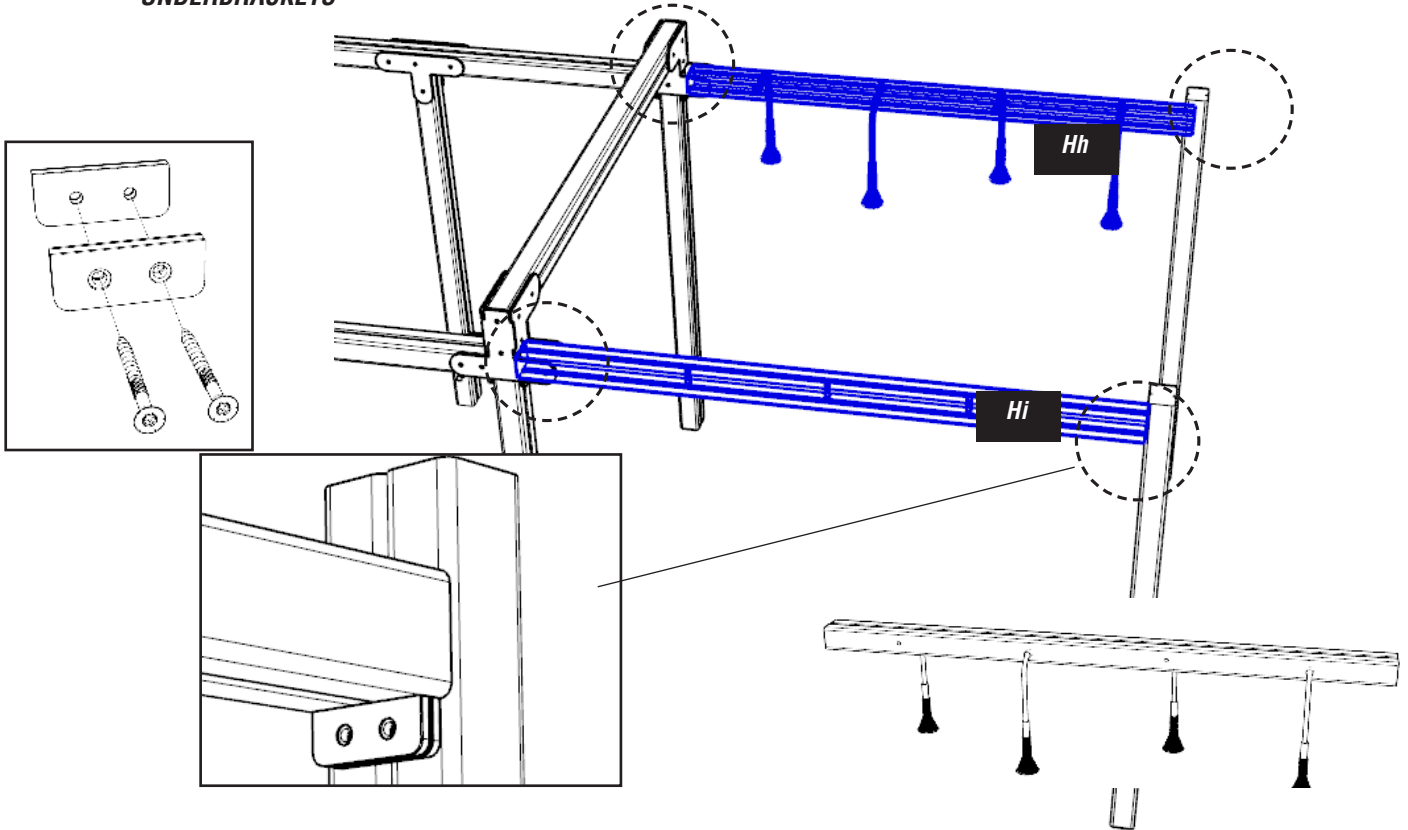
USING 8X80 WOOD SCREWS, ENSURE IT IS FURTHER ATTACHED TO THE Hc SPECIAL T BRACKET AS SHOWN



INSTALLATION INSTRUCTIONS

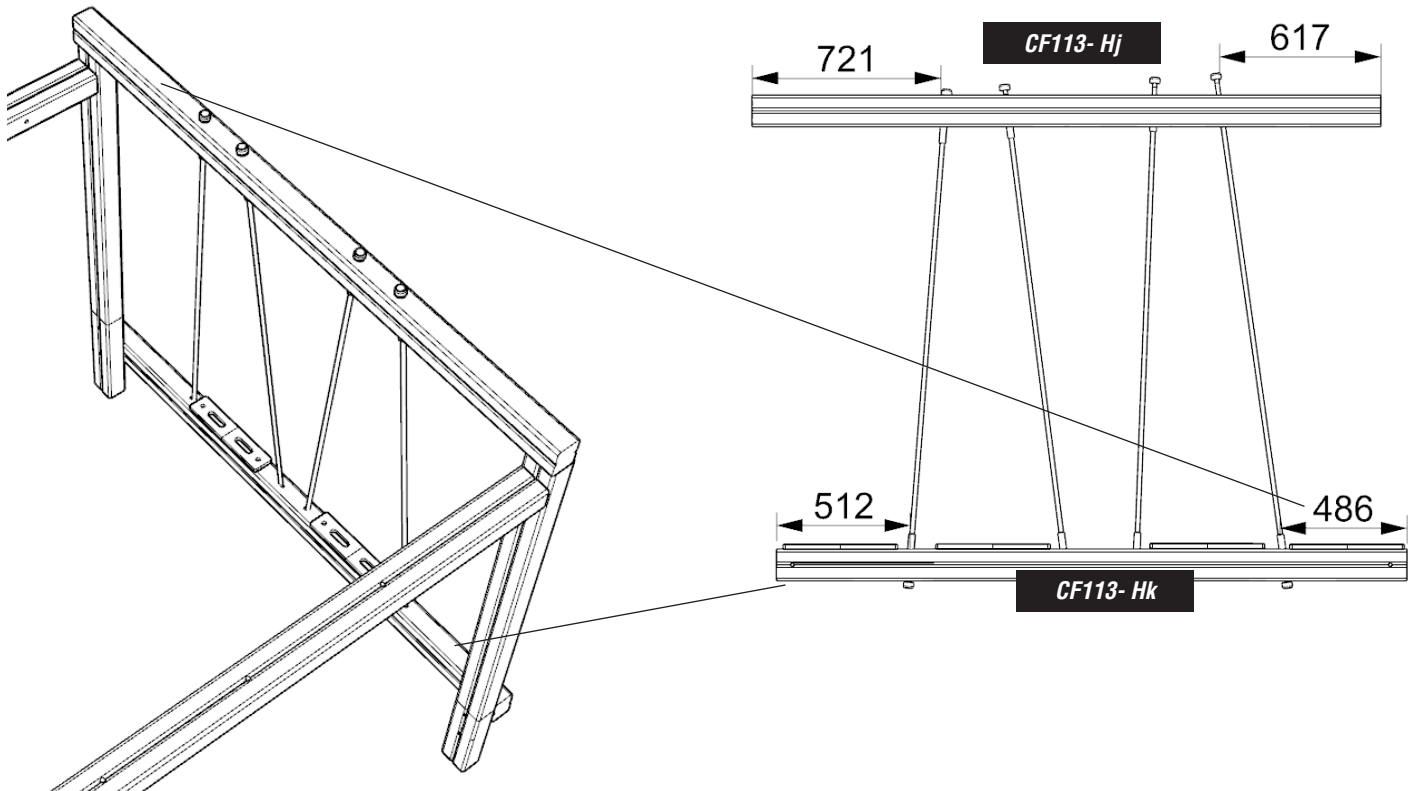
12 ATTACH *Hi* AND *Hh* TIMBERS

USING 8X80 WOOD SCREWS, ENSURE IT IS FURTHER ATTACHED TO THE *Hc* SPECIAL T BRACKET AND PLAYTEC UNDERBRACKETS



13 ATTACH PLAYTEC *Hj* TIMBER AS SHOWN WITH PRE-ASSEMBLED INCLINED ROPE WEAVE

USING 8X80 WOOD SCREWS, M12X 220MM BOLTS X2 / NYLOCS X2 / ENDCAPS X2

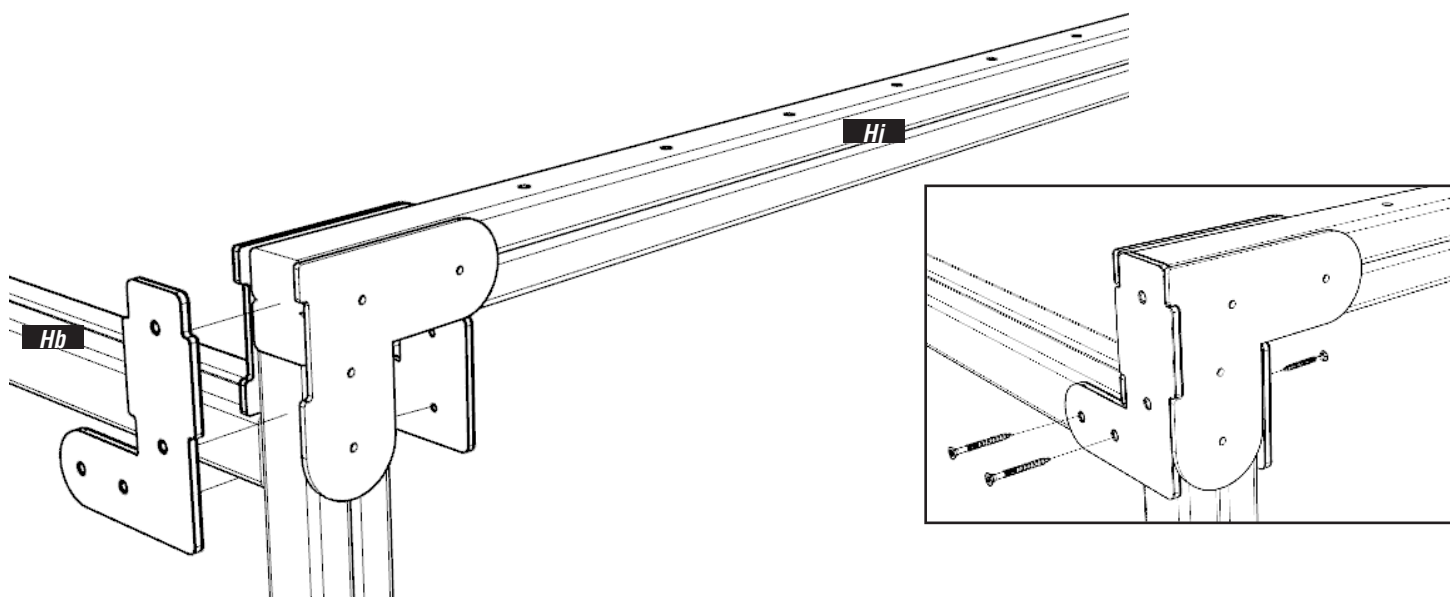


INSTALLATION INSTRUCTIONS

14

ATTACH PLAYTEC - L (LEFT), SHORT L (RIGHT) & BACK

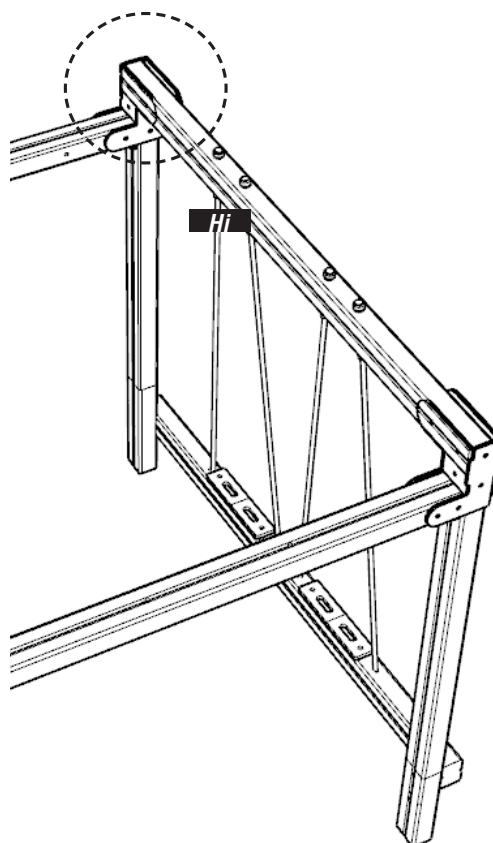
USING 8X80 WOOD SCREWS, ENSURE THEY ARE FURTHER ATTACHED TO Hb AS SHOWN



15

ATTACH PLAYTEC - L (RIGHT), SHORT L (LEFT)

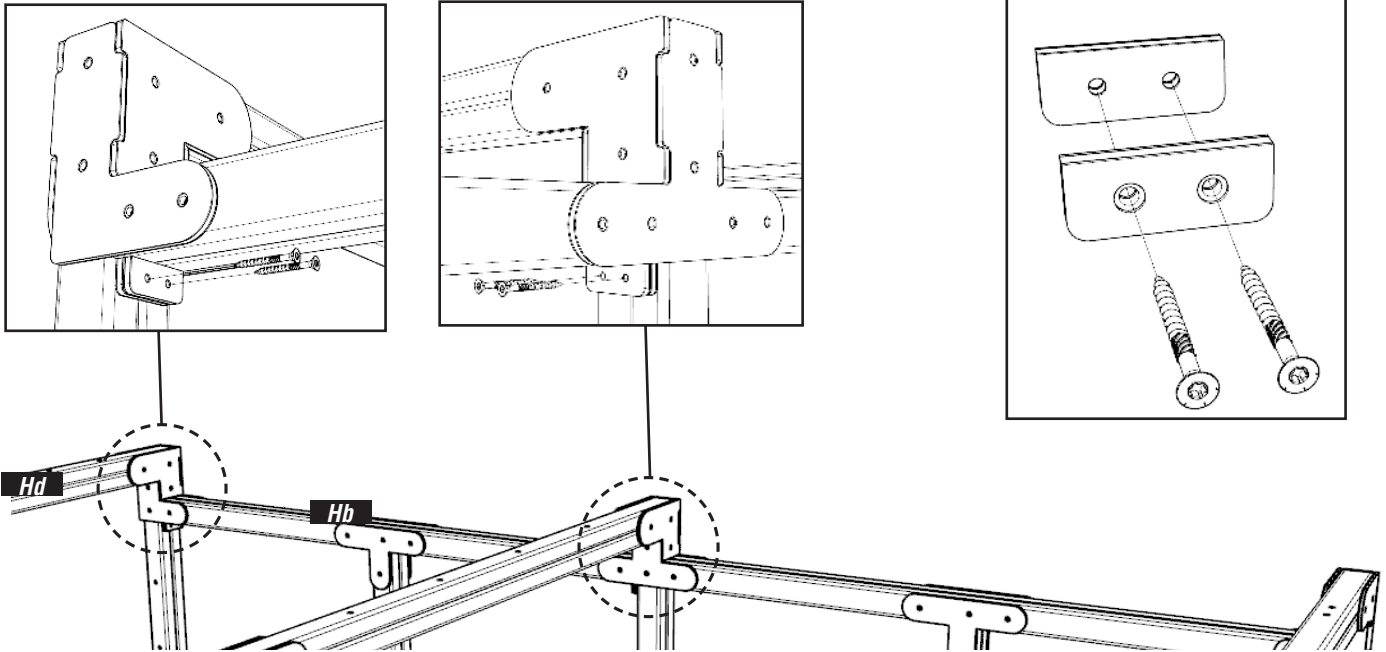
USING 8X80 WOOD SCREWS, ENSURE THEY ARE FURTHER ATTACHED TO Hd AS SHOWN



INSTALLATION INSTRUCTIONS

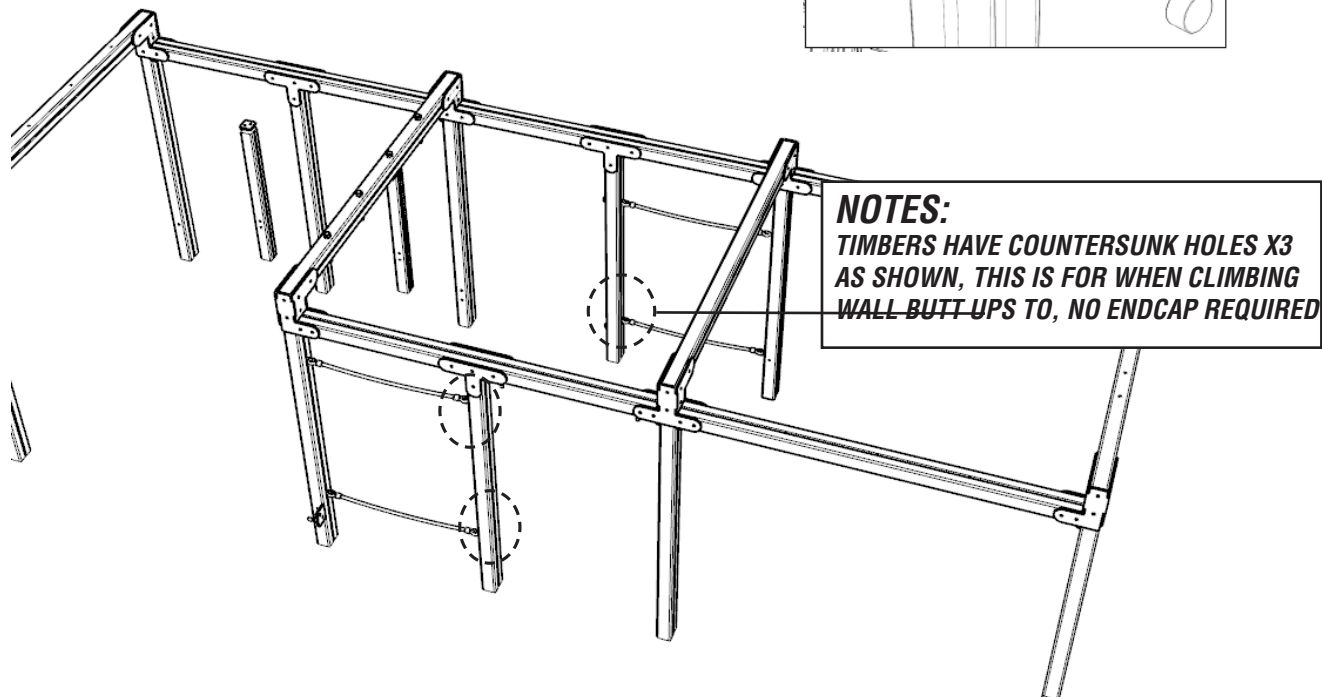
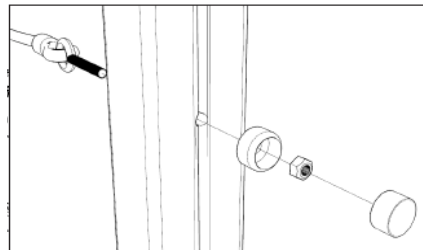
16

**ENSURE ALL TIMBERS BELOW HAVE PLAYTEC UNDERBRACKETS
USING 8X80 WOOD SCREWS, ASSEMBLE UNDERBRACKETS AS SHOWN TO RIGHT**



17

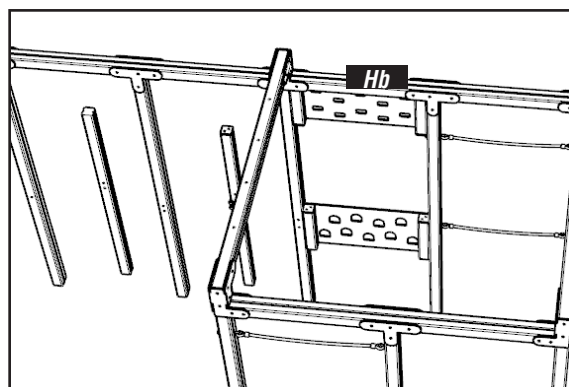
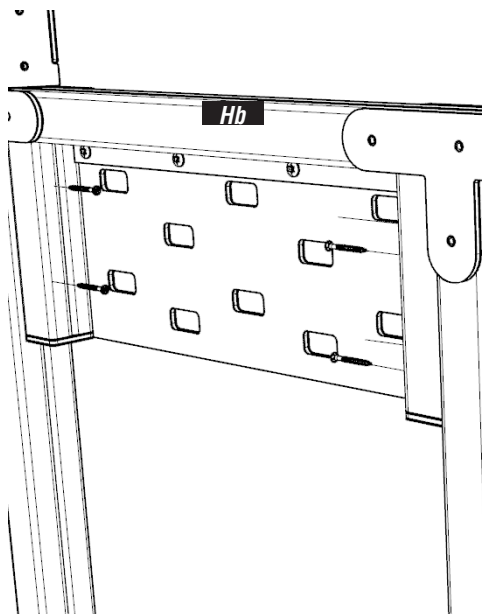
**ATTACH INDIVIDUAL ROPES X4
USING NYLOCS X8 , ENDCAPS X5**



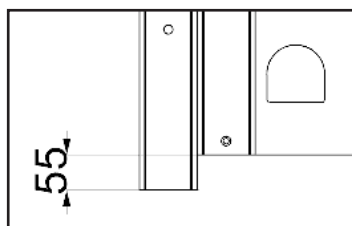
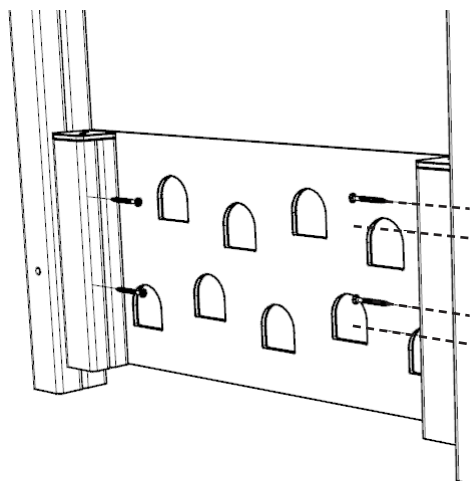
INSTALLATION INSTRUCTIONS

18 ATTACH UPPER PLAYTEC CLIMBING PANELS TO Hb TIMBER SHOWN USING 8X180 WOOD SCREWS (2 SCREWS PER TIMBER SPACED EQUALLY)

NOTES:
TAKE CARE THAT SCREWS DO NOT
'CROSS' IN CENTRAL TIMBERS



19 ATTACH LOWER PLAYTEC CLIMBING PANELS USING 8X180 WOOD SCREWS (2 SCREWS PER TIMBER SPACED EQUALLY)



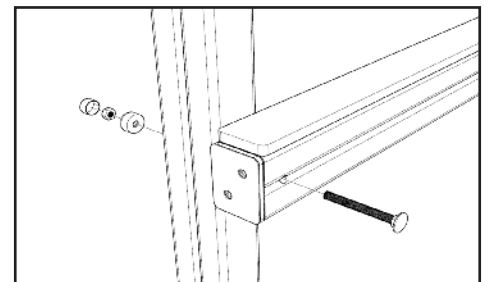
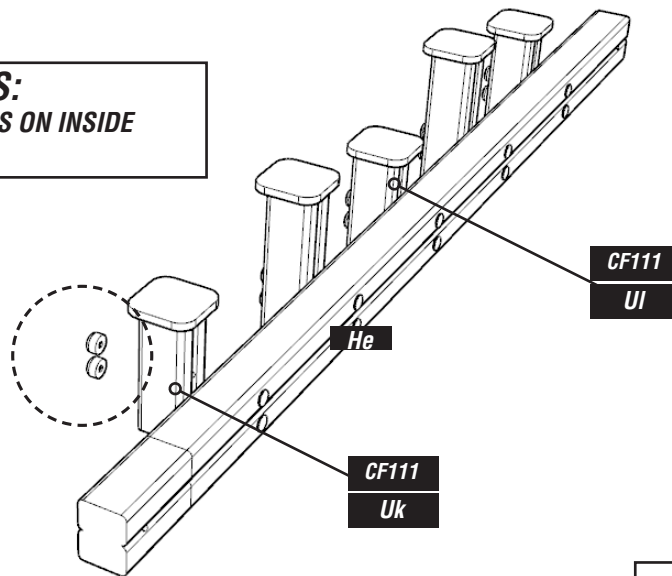
INSTALLATION INSTRUCTIONS

20

ATTACH LOG STEPS TO He

USING M12X220 x10/ NYLOC X10 / ENDCAP X10

NOTES:
ENDCAPS ON INSIDE

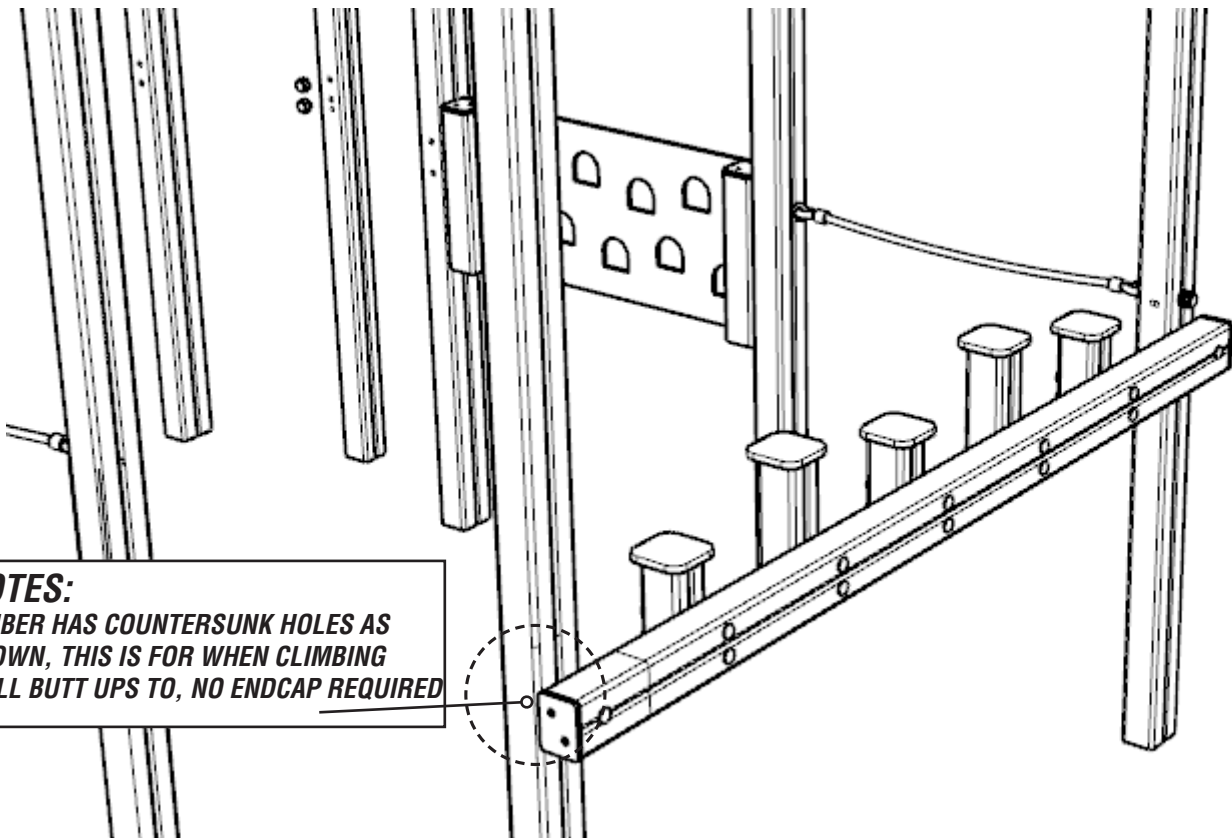


21

ATTACH He TIMBER TO UPRIGHTS

USING M12X220 x2/ NYLOC X2/ ENDCAP X1

NOTES:
TIMBER HAS COUNTERSUNK HOLES AS SHOWN, THIS IS FOR WHEN CLIMBING WALL BUTT UPS TO, NO ENDCAP REQUIRED

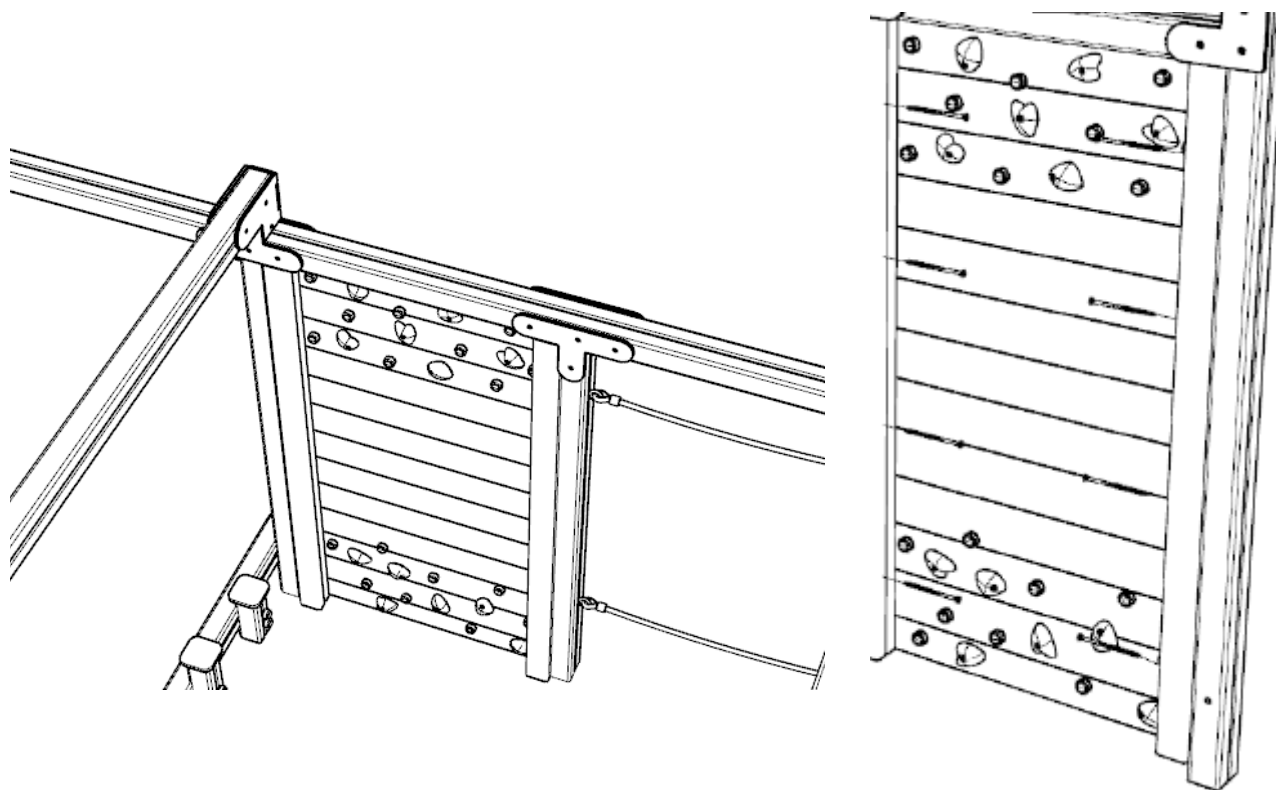


INSTALLATION INSTRUCTIONS

22

ATTACH TIMBER CLIMBING WALL

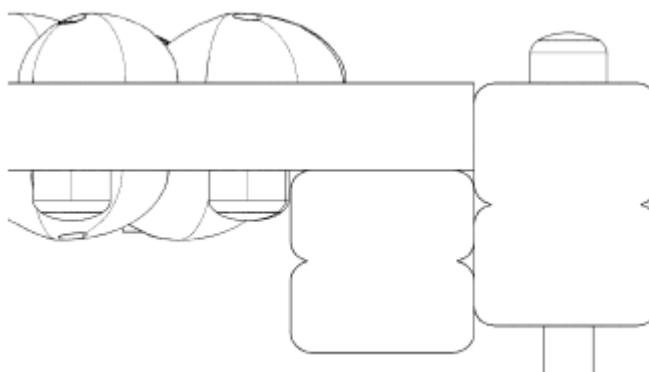
USING 8X180 WOOD SCREWS, EQUALLY SPACED AS SHOWN



NOTES:

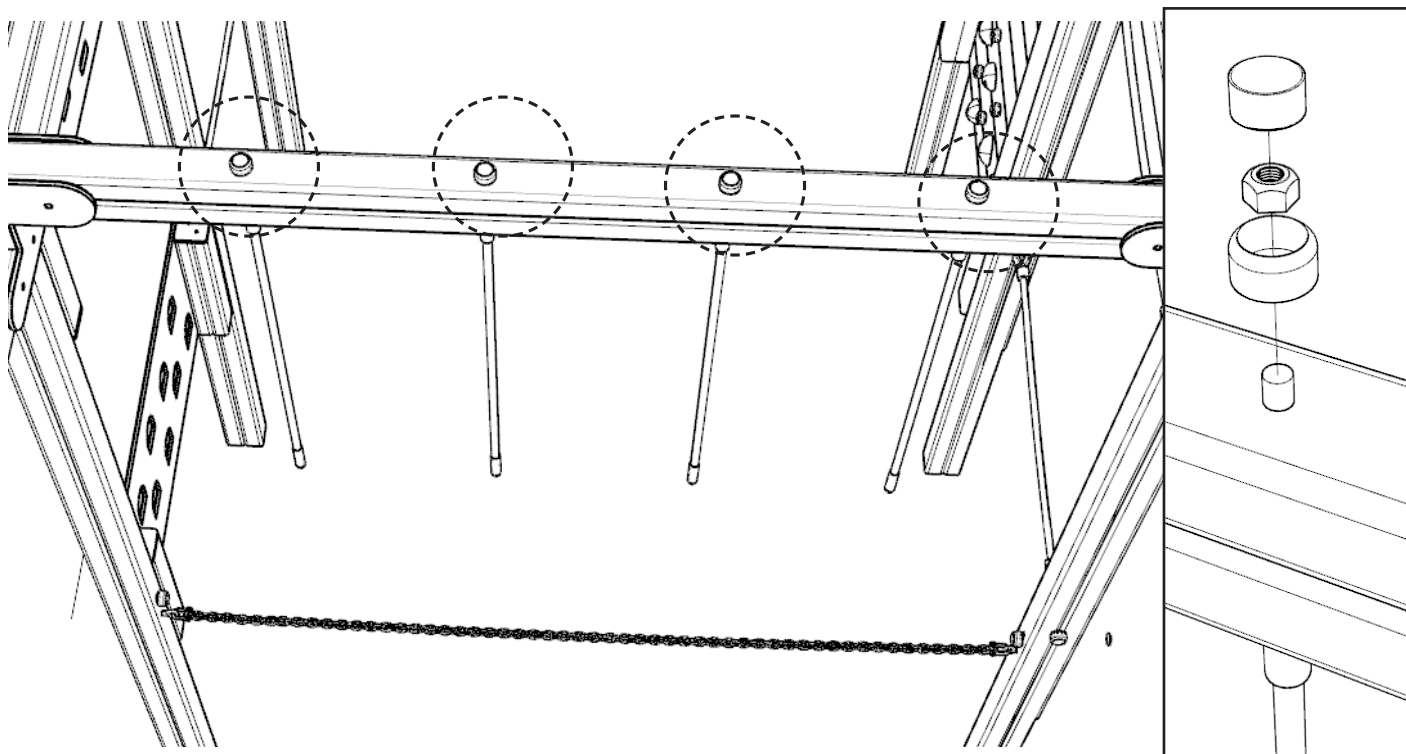
ENSURE OUTER WALL IS FLUSH WITH
OUTER TIMBER

BUTT WALL TO TOP OF HORIZONTAL
TIMBER

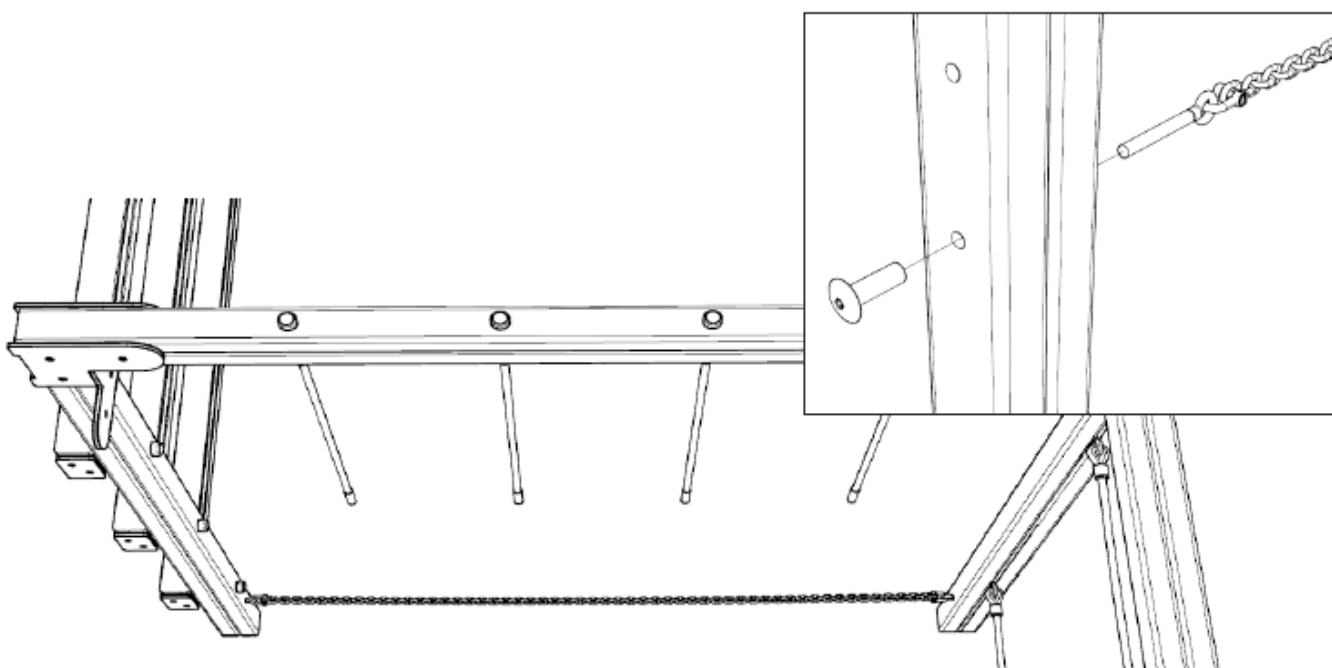


INSTALLATION INSTRUCTIONS

23 ATTACH SWINGING ROPES USING NYLOC X4 / ENDCAPS X4



24 ATTACH SWINGING ROPE CHAIN USING M12 X 50MM SOCKET NUT, D-SHACKLE AND EYEBOLT SHOULD BE PRE-ATTACHED TO CHAIN

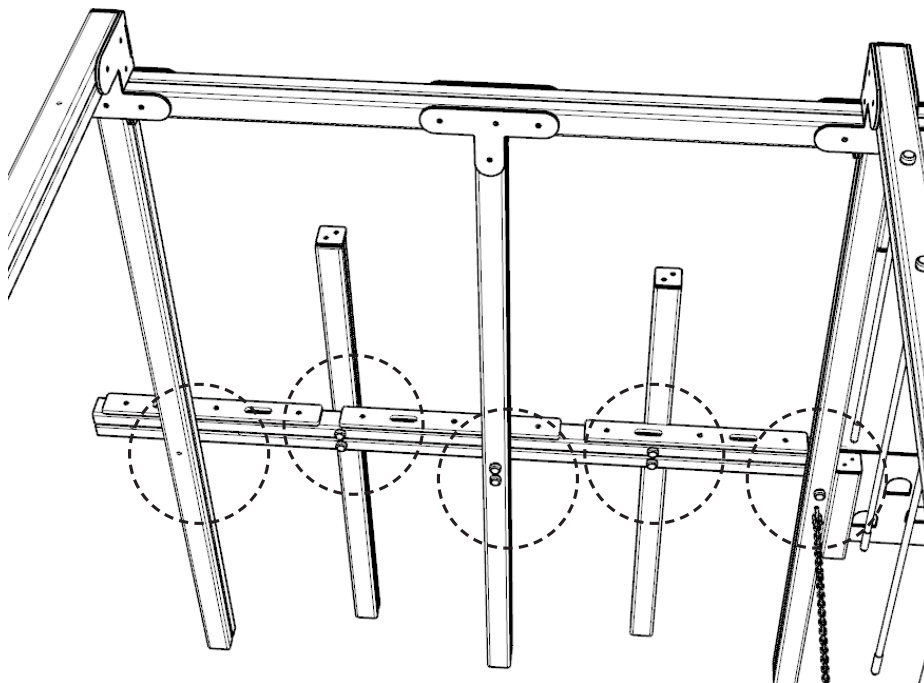


INSTALLATION INSTRUCTIONS

25

ATTACH H_g TIMBER TO UPRIGHTS

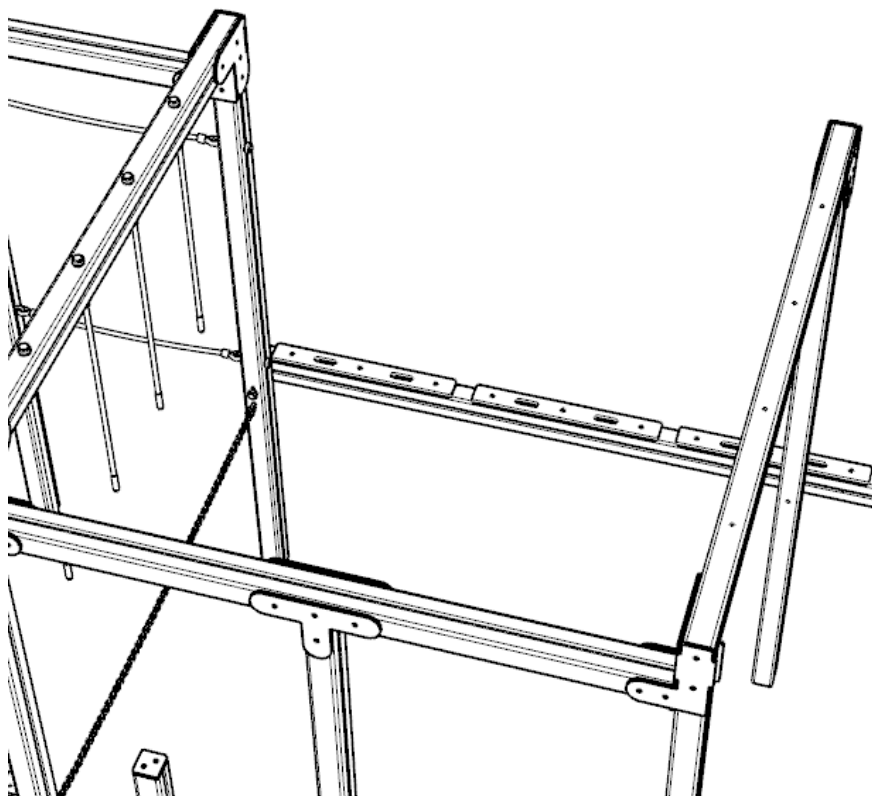
USING M12 X 230MM BOLTS X2 / M12 X 220 BOLTS X6 / NYLOCS X8



26

ATTACH H_f TIMBER TO UPRIGHTS

USING M12 X 230MM BOLTS X2 / NYLOCS X2

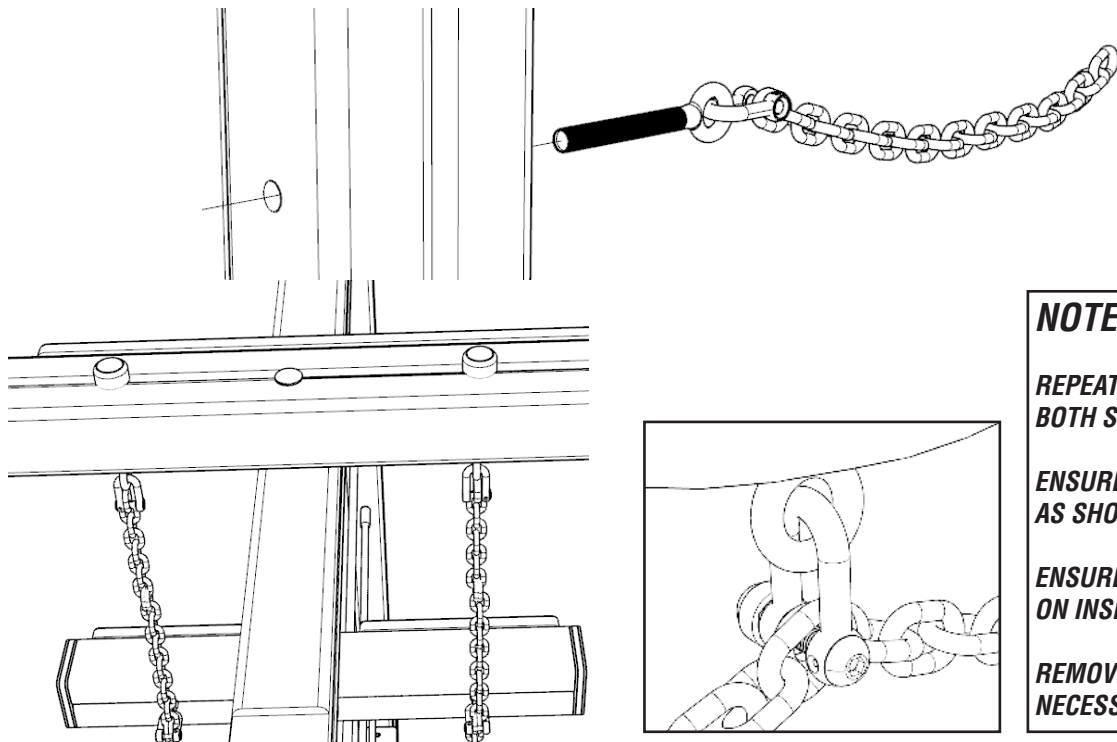
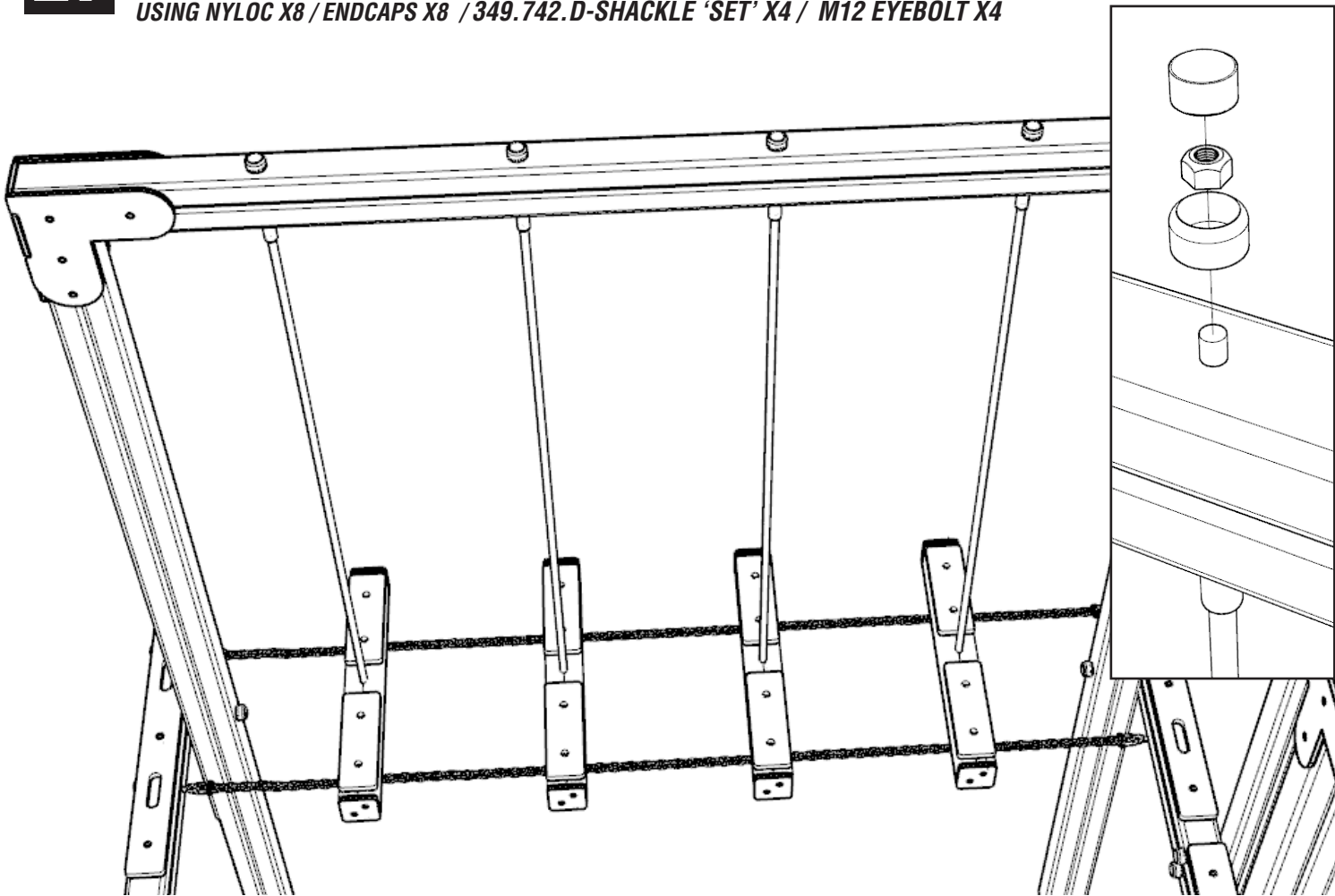


INSTALLATION INSTRUCTIONS

27

ATTACH PRE-ASSEMBLED ROPE WALK

USING NYLOC X8 / ENDCAPS X8 / 349.742.D-SHACKLE 'SET' X4 / M12 EYEBOLT X4



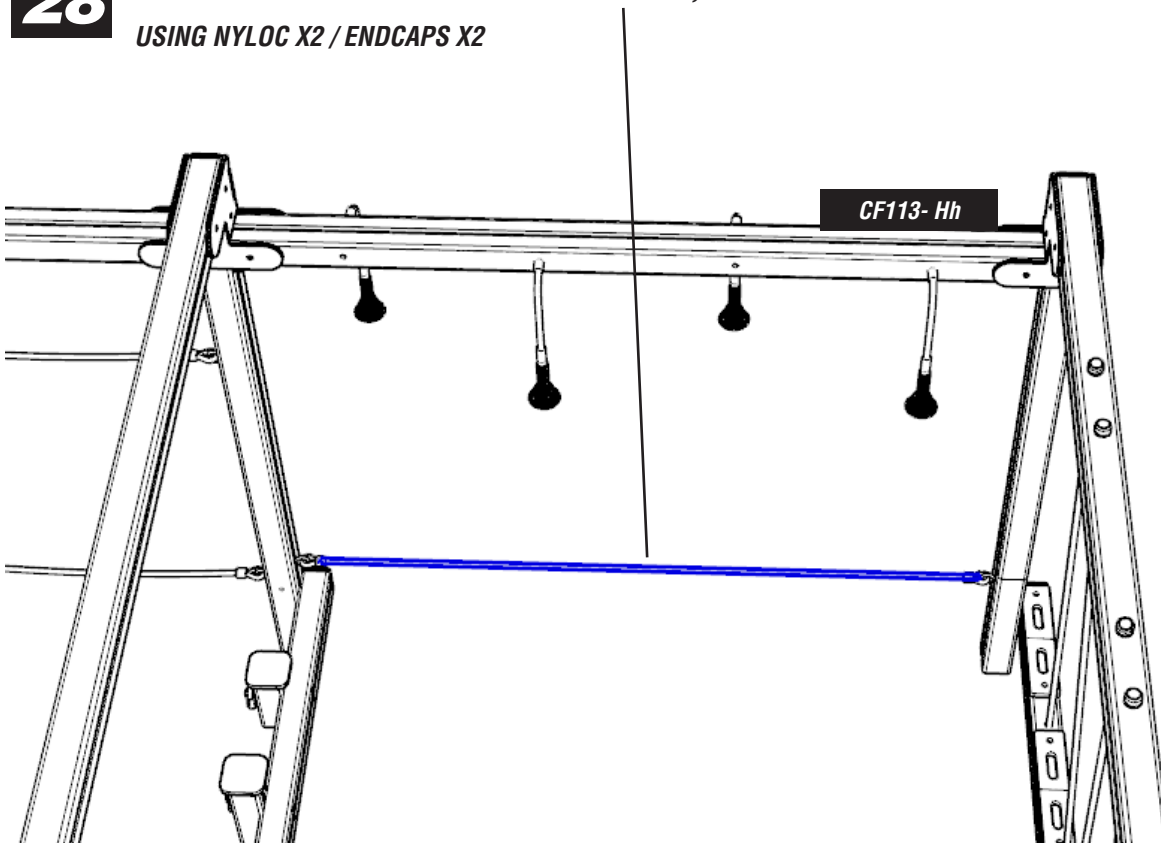
NOTES:

- REPEAT EYEBOLT CHAIN ON BOTH SIDES
- ENSURE CHAIN IS LINKED AS SHOWN
- ENSURE CHAIN IS POSITION ON INSIDE OF D - RING
- REMOVE LINKS IF NECESSARY

INSTALLATION INSTRUCTIONS

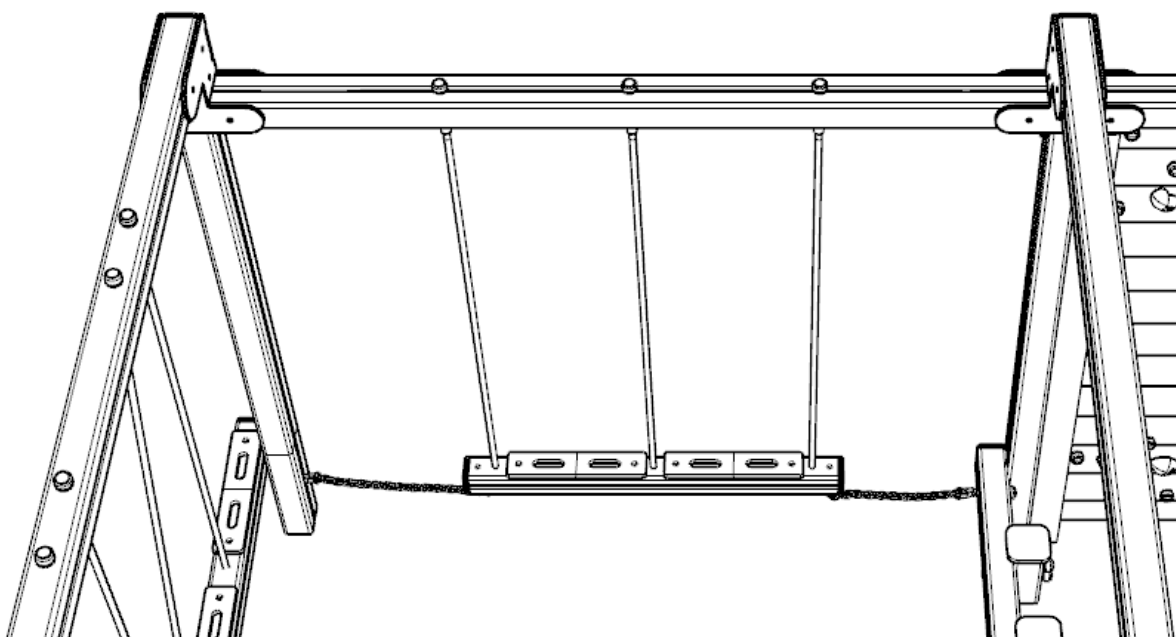
28

**ATTACH GRIPPED ROPE WALK ROPE, HANDLES SHOULD BE PRE-ASSEMBLED ON Hh
USING NYLOC X2 / ENDCAPS X2**



29

**ATTACH LOG SWING PRE-ASSEMBLY
USING NYLOC X2 / ENDCAPS X2**



ADDITIONAL DIMENSIONS

