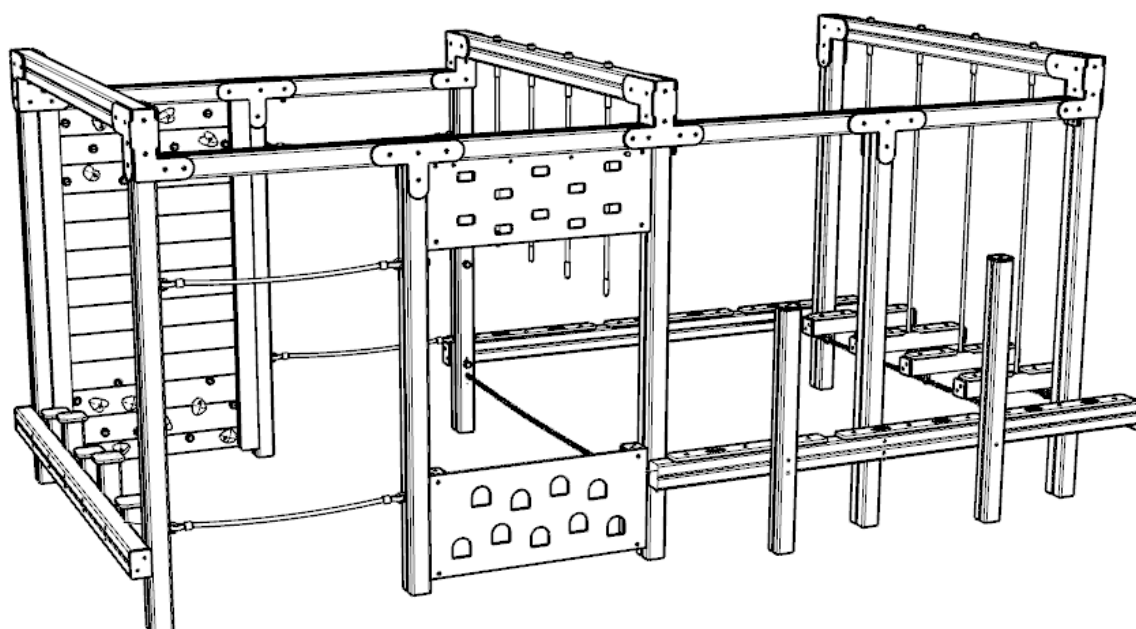
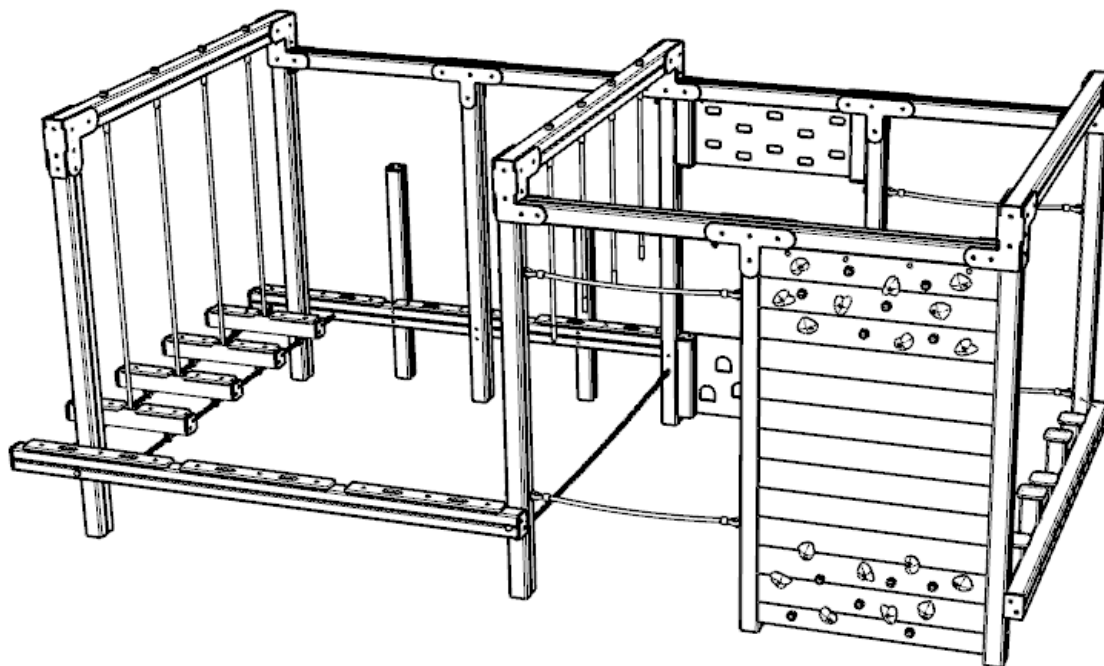
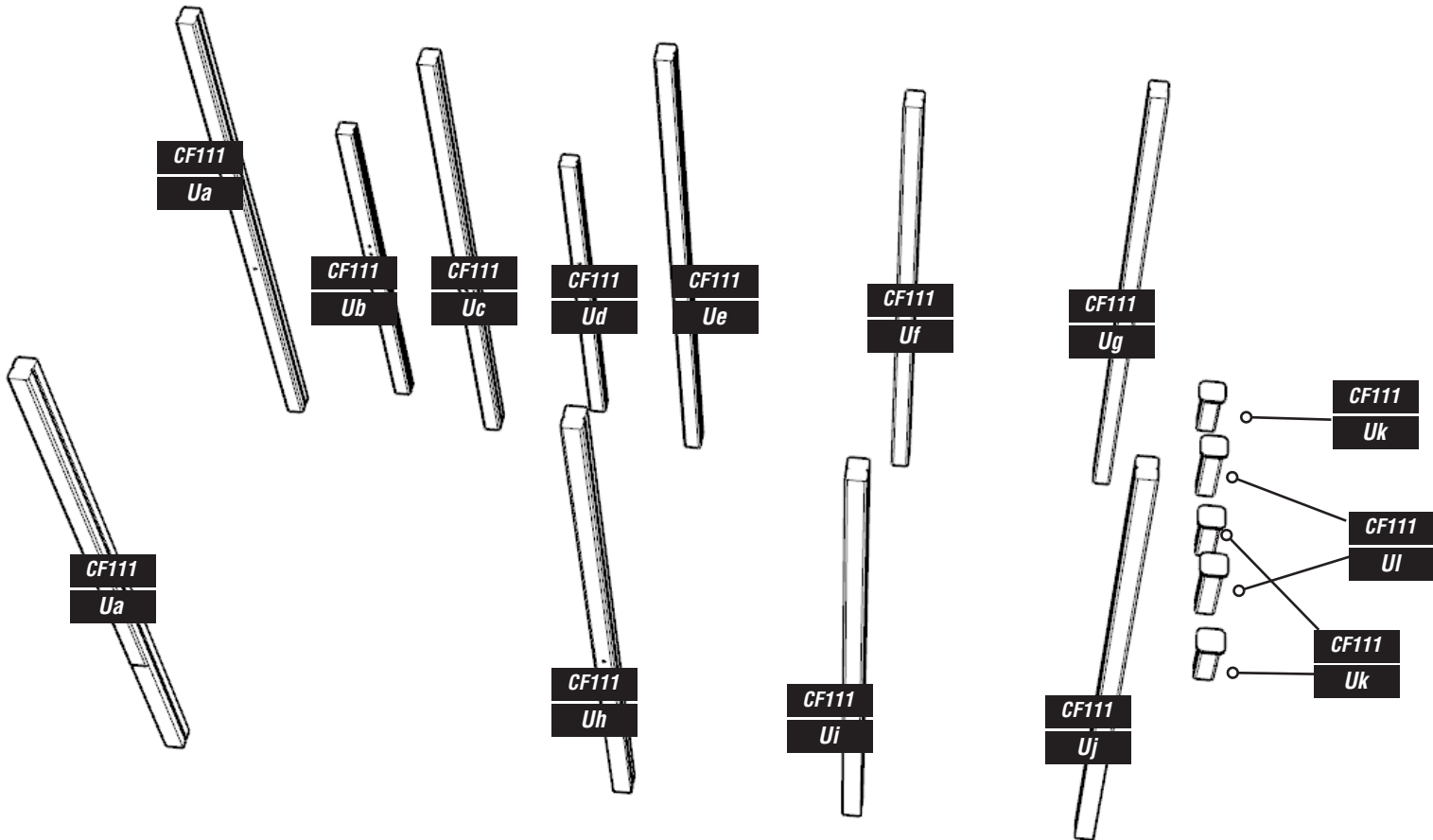


CF111 - TWEED CLIMBING FRAME: *Installation Instructions*

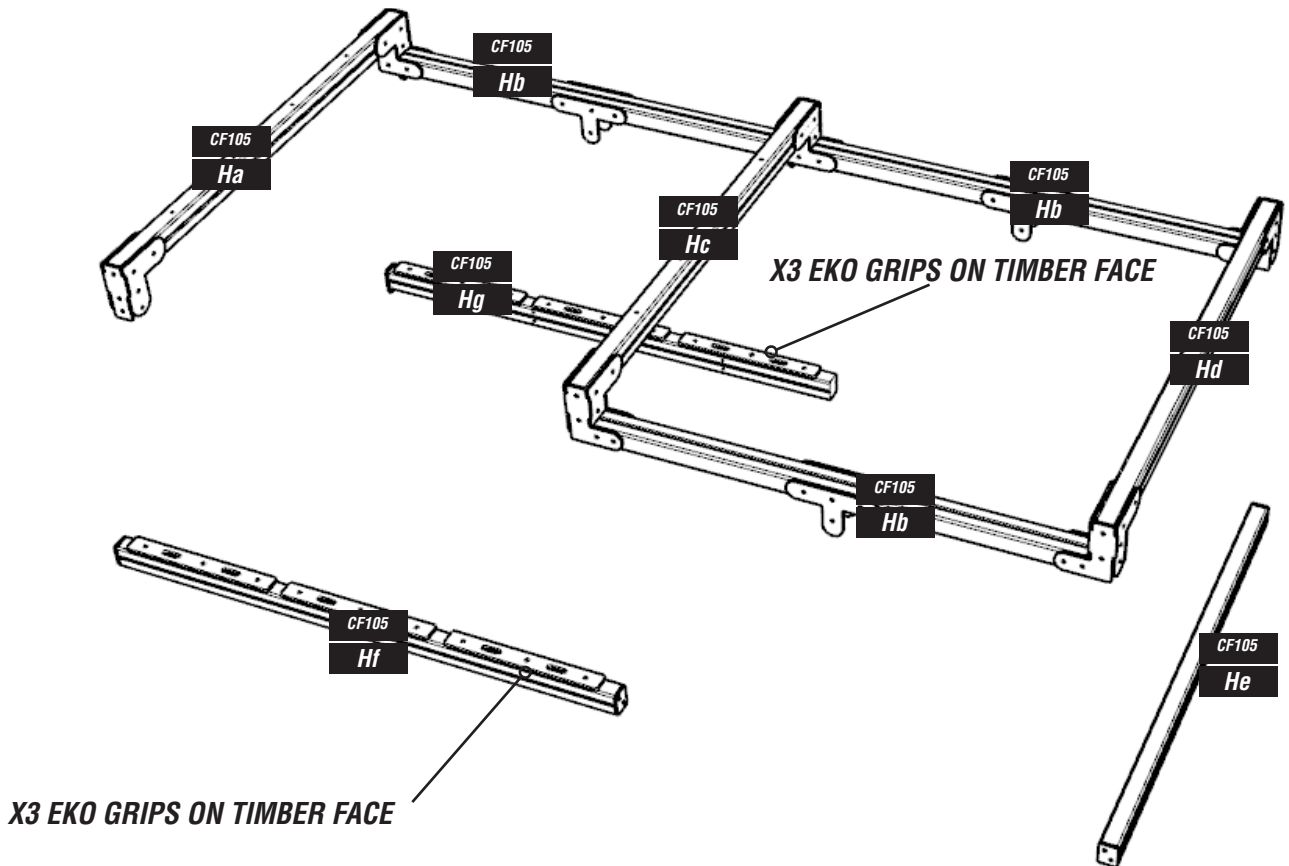
**creative
play**



PARTS REQUIRED

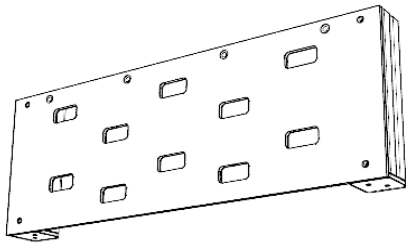


UPRIGHT TIMBERS



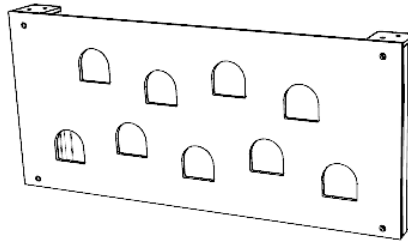
HORIZONTAL TIMBERS

PARTS REQUIRED



x1

UPPER TRAVERSE PANEL



x1

LOWER TRAVERSE PANEL



x4

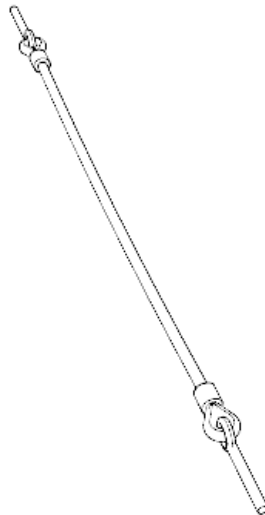
SWINGING ROPE



x1

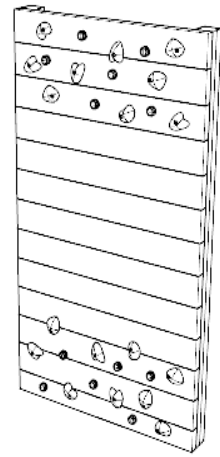
SWINGING ROPE CHAIN (SET)

(2150MM INC EYEBOLTS & D-SHACKLES)



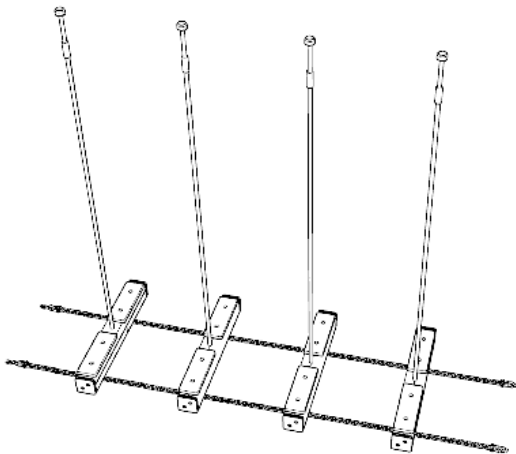
x4

INDIVIDUAL ROPE



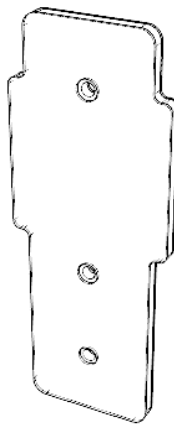
x1

TIMBER CLIMBING WALL



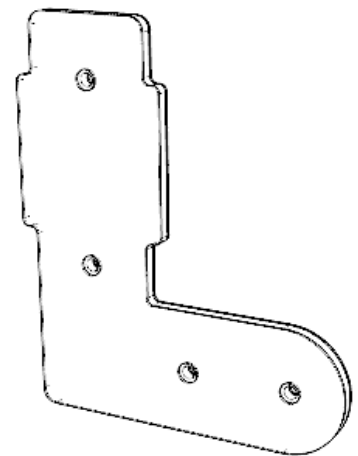
x1

PRE-ASSEMBLY - SMALL ROPE LOG WALK



x1

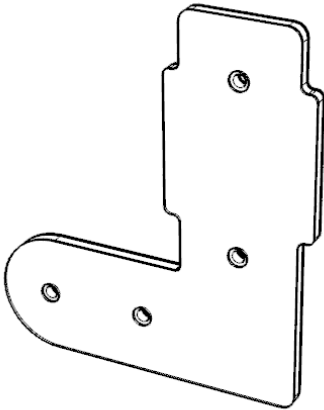
PLAYTEC - BACK



x1

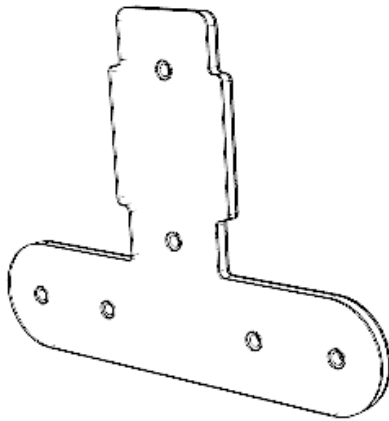
PLAYTEC L - RIGHT

PARTS REQUIRED



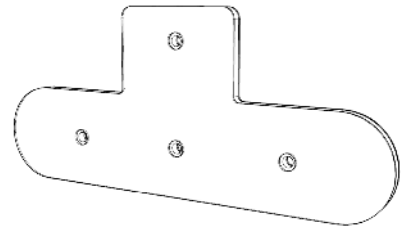
x3

PLAYTEC L - LEFT



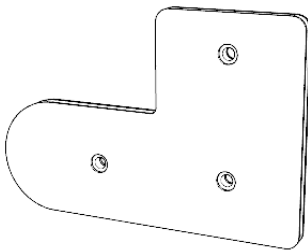
x1

PLAYTEC - SPECIAL T



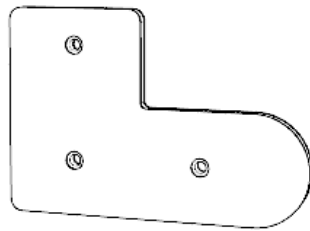
x1

PLAYTEC - INSIDE T



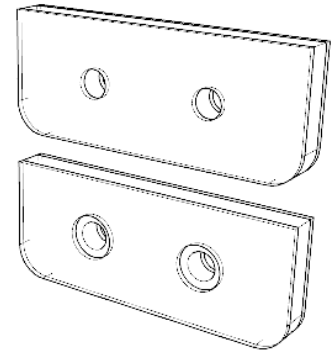
x2

PLAYTEC - SHORT L (LEFT)



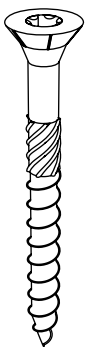
x2

PLAYTEC - SHORT L (RIGHT)



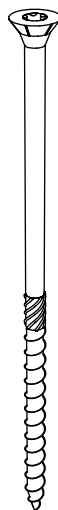
x 4 (PAIRS)

PLAYTEC - UNDER BRACKETS



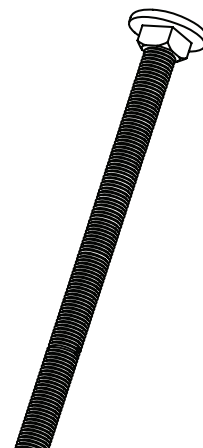
x105

97.M8X80CSK



x20

97.M8X180CSK



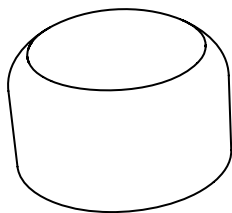
x2

M12 X 230

x22

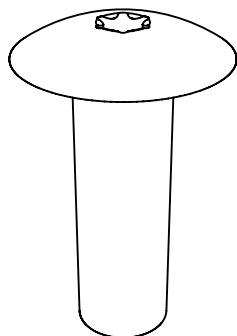
M12 X 220

PARTS REQUIRED



x43

M12 ENDCAP



x2

M12 SOCKET NUT (50MM)



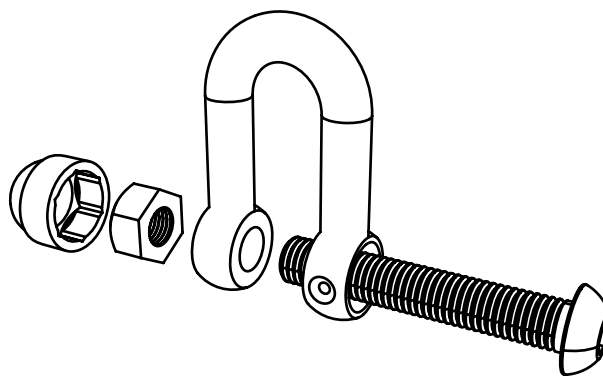
x46

656.M12



x2

EYEBOLT M12

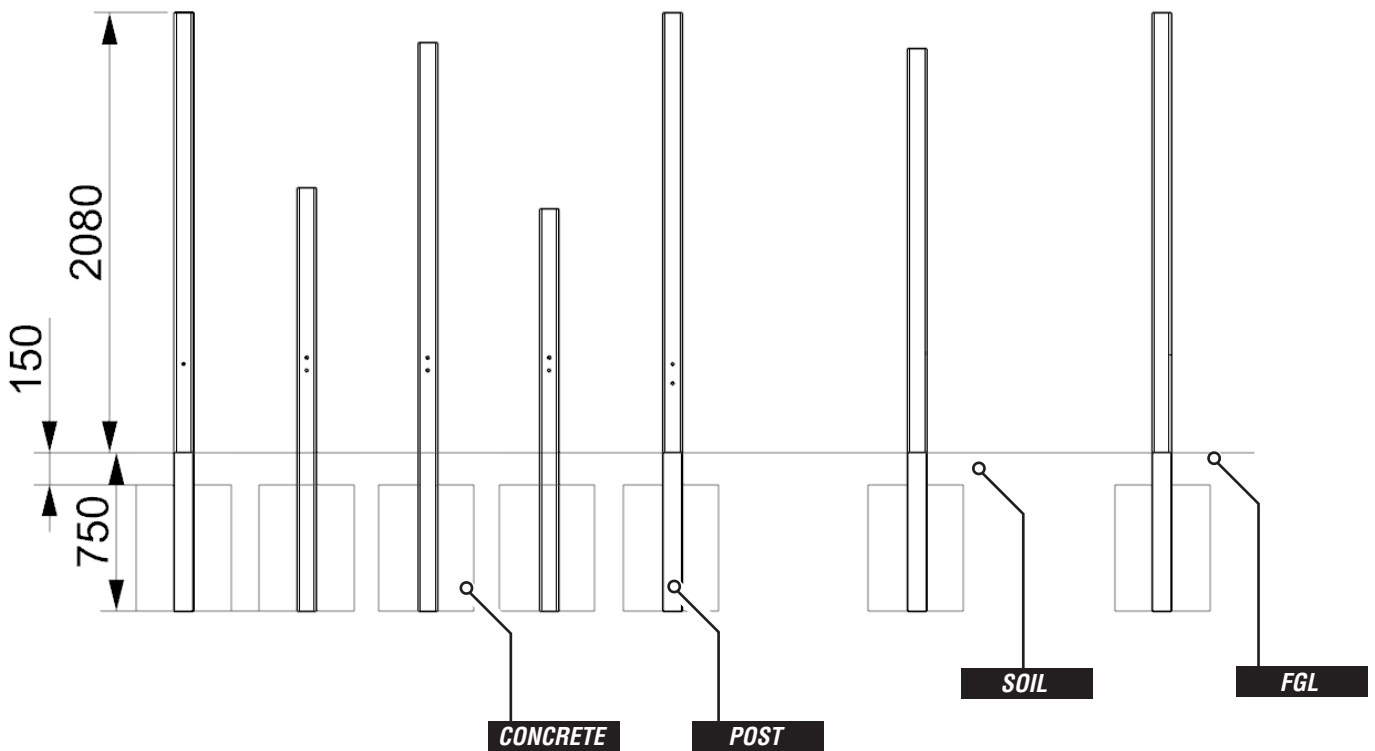
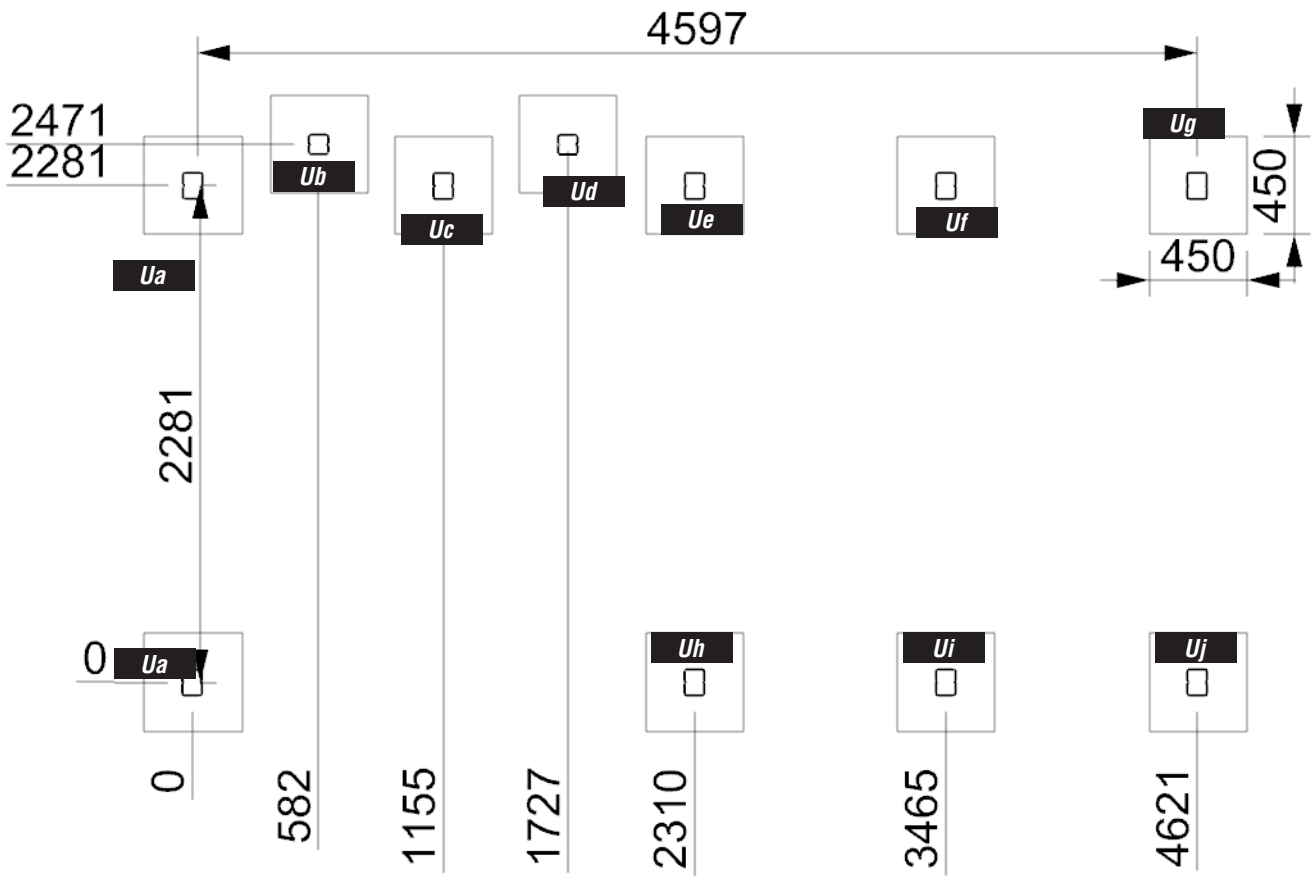


**CONSISTS OF
SHACKLE / BOLT / NYLOC / CAP**

x4

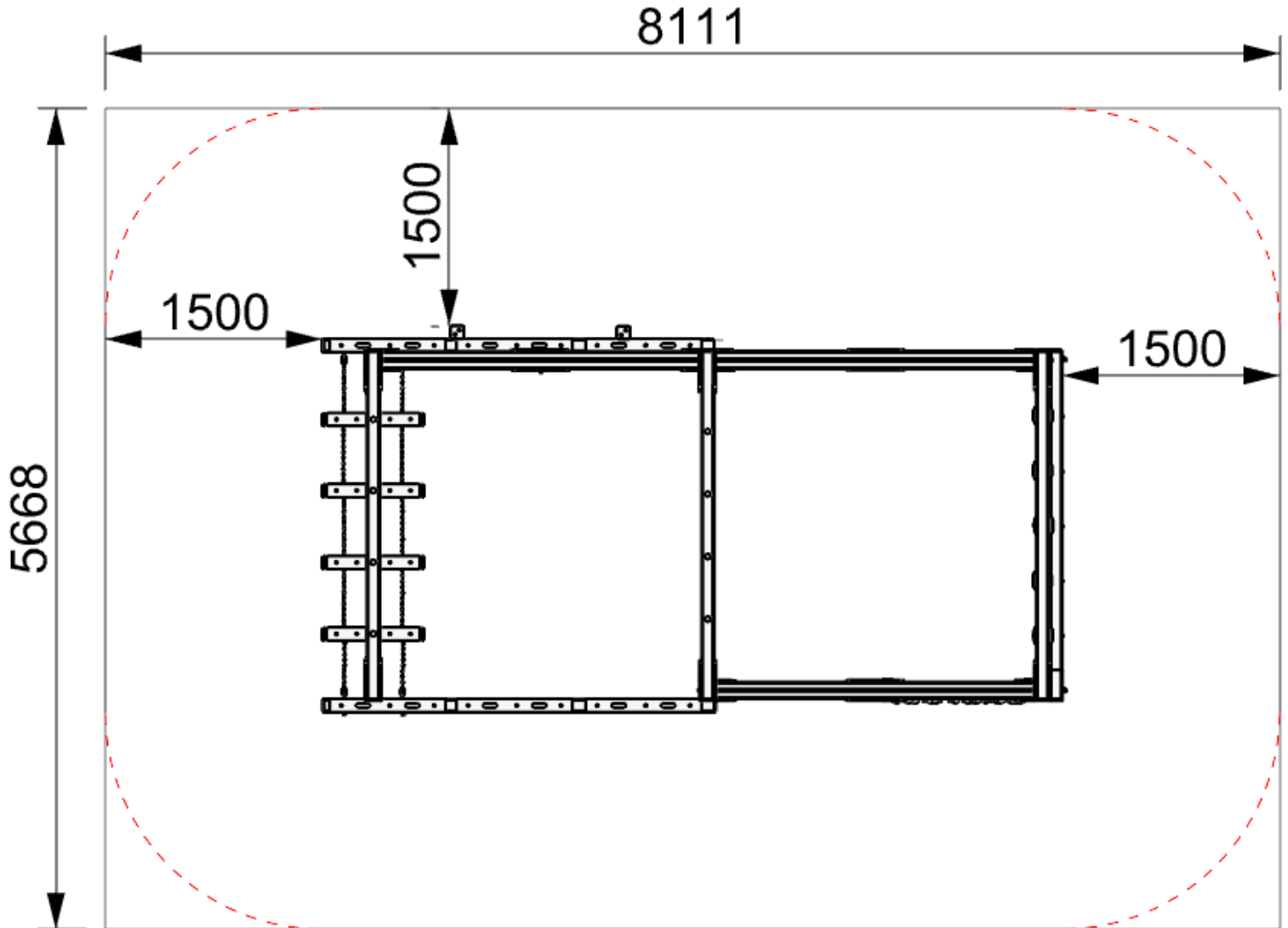
349.742.D-SHACKLE 'SET'

FOUNDATION DETAILS



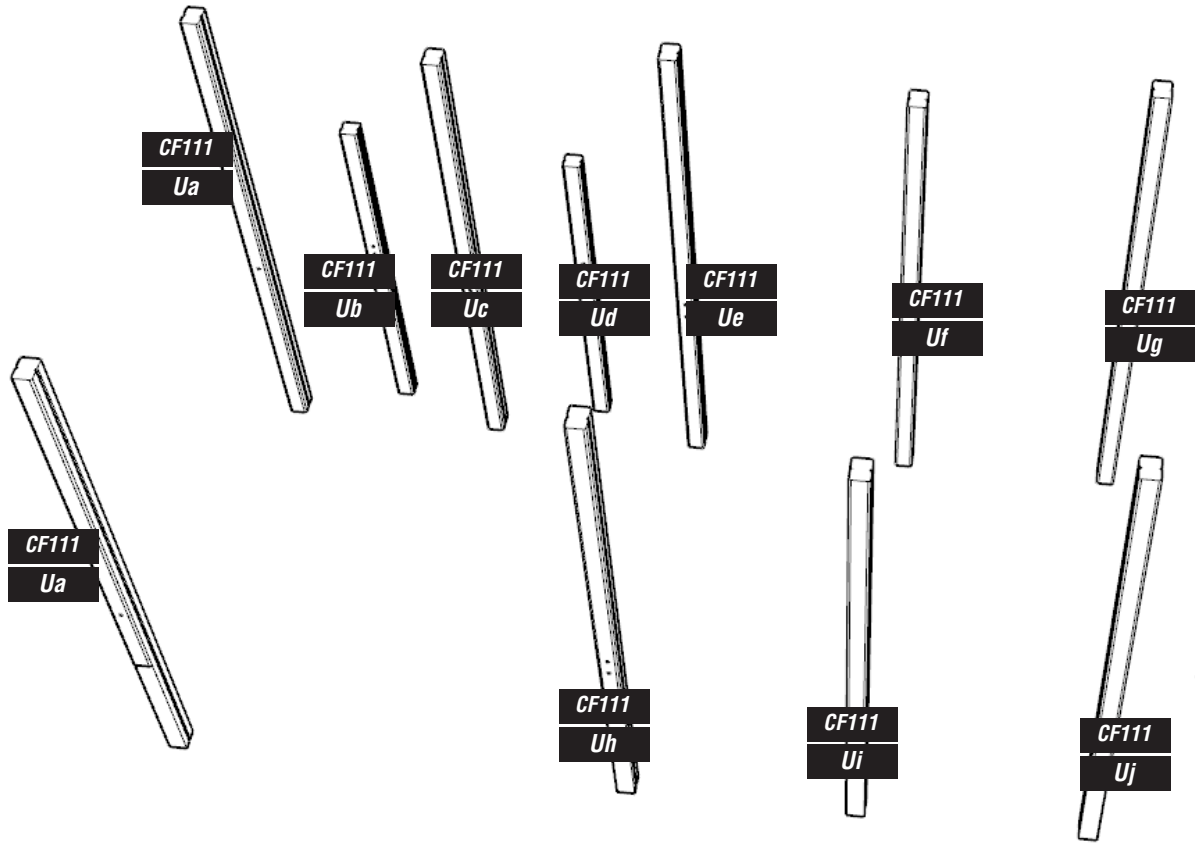
SURFACING DETAILS

- - - - - = MINIMUM SPACE***
- = OVERALL AREA***

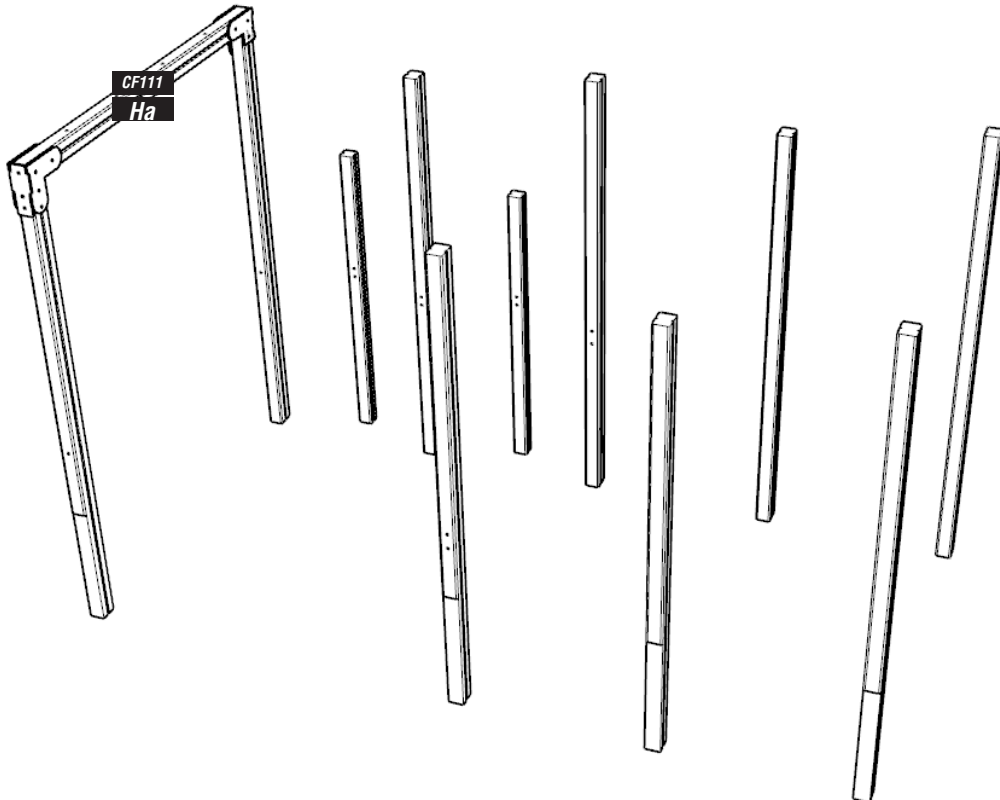


INSTALLATION INSTRUCTIONS

1 POSITION THE UPRIGHT TIMBERS FOLLOWING FOUNDATION DETAILS



2 ATTACH TIMBER Ha USING 8X80 WOOD SCREWS

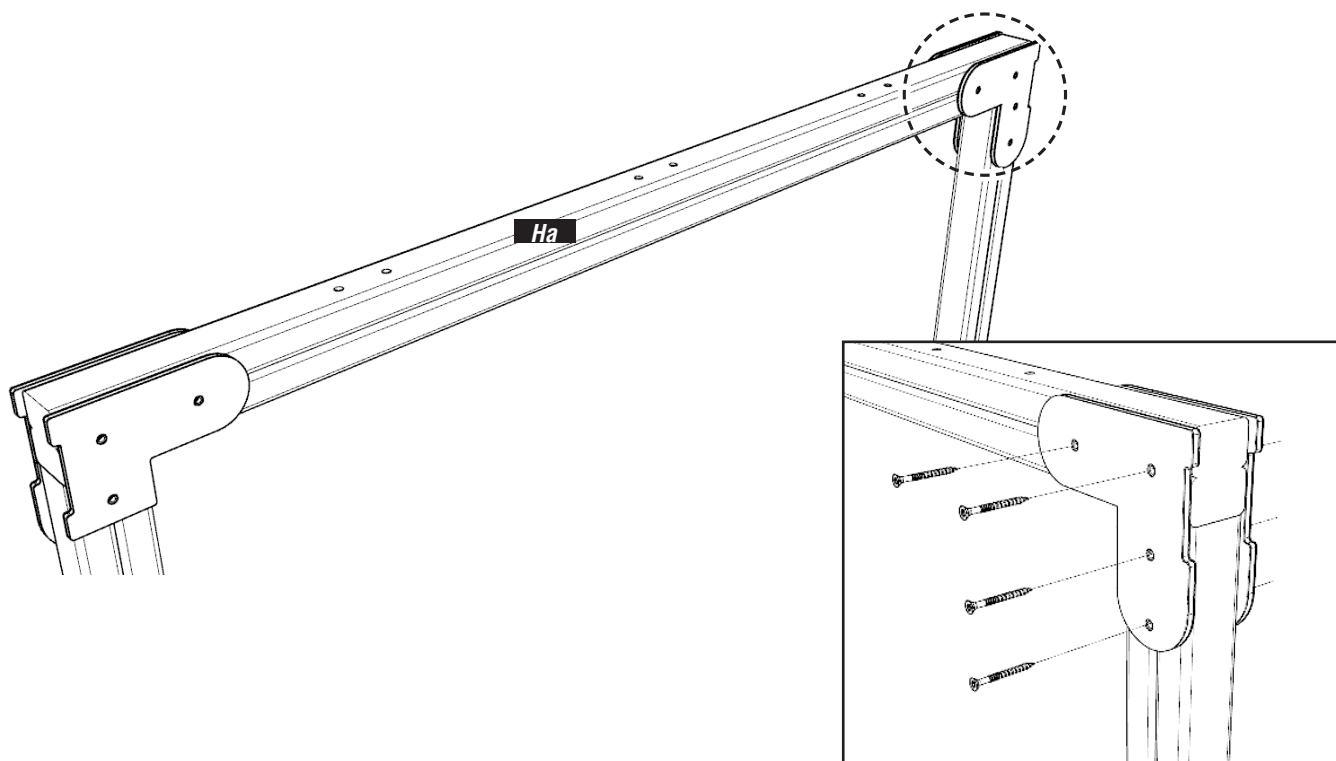


INSTALLATION INSTRUCTIONS

3

ENSURE BRACKETS ARE POSITIONED AS SHOWN BELOW

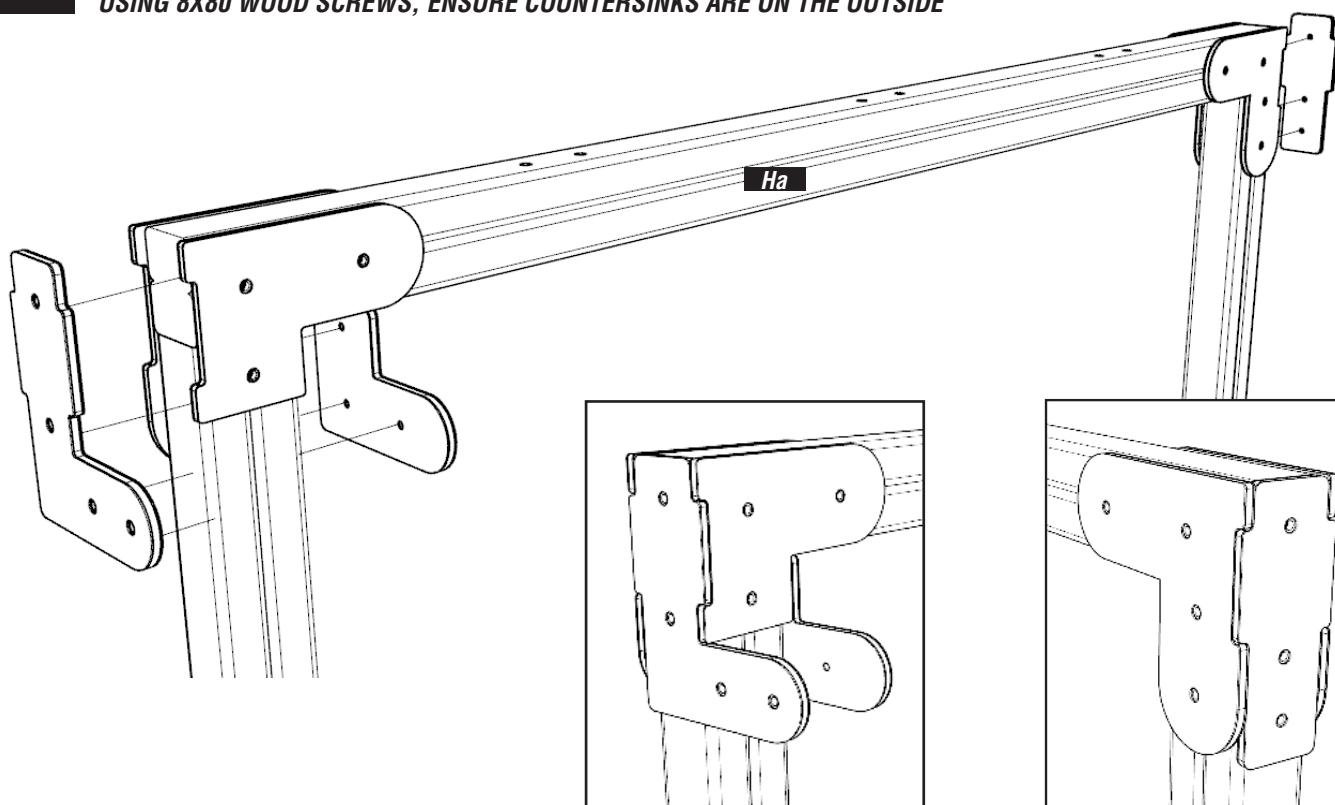
TAKE CARE THAT SCREWS DO NOT 'CROSS'



4

ATTACH PLAYTEC - BACK, SHORT L (LEFT) & L (RIGHT)

USING 8X80 WOOD SCREWS, ENSURE COUNTERSINKS ARE ON THE OUTSIDE



INSTALLATION INSTRUCTIONS

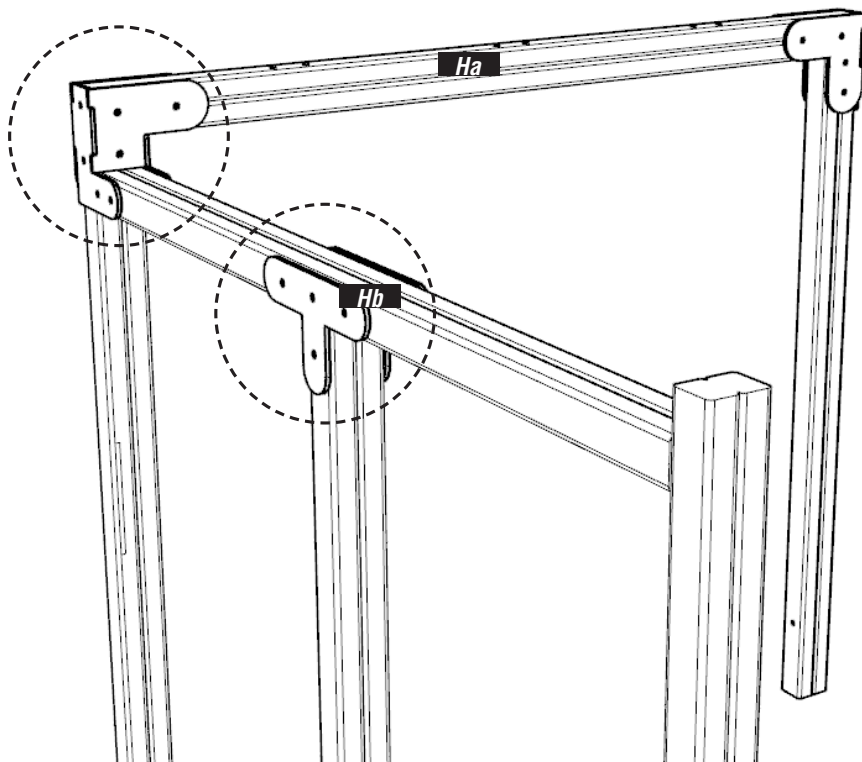
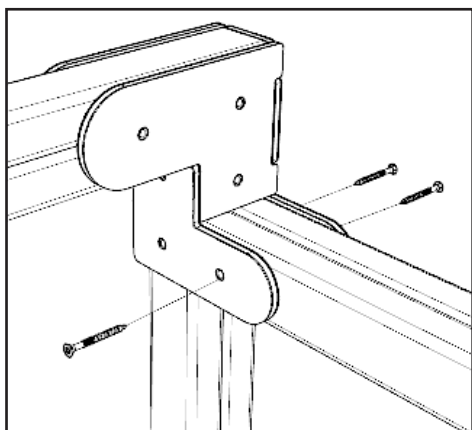
5

ATTACH TIMBER Hb

USING 8X80 WOOD SCREWS

NOTES:

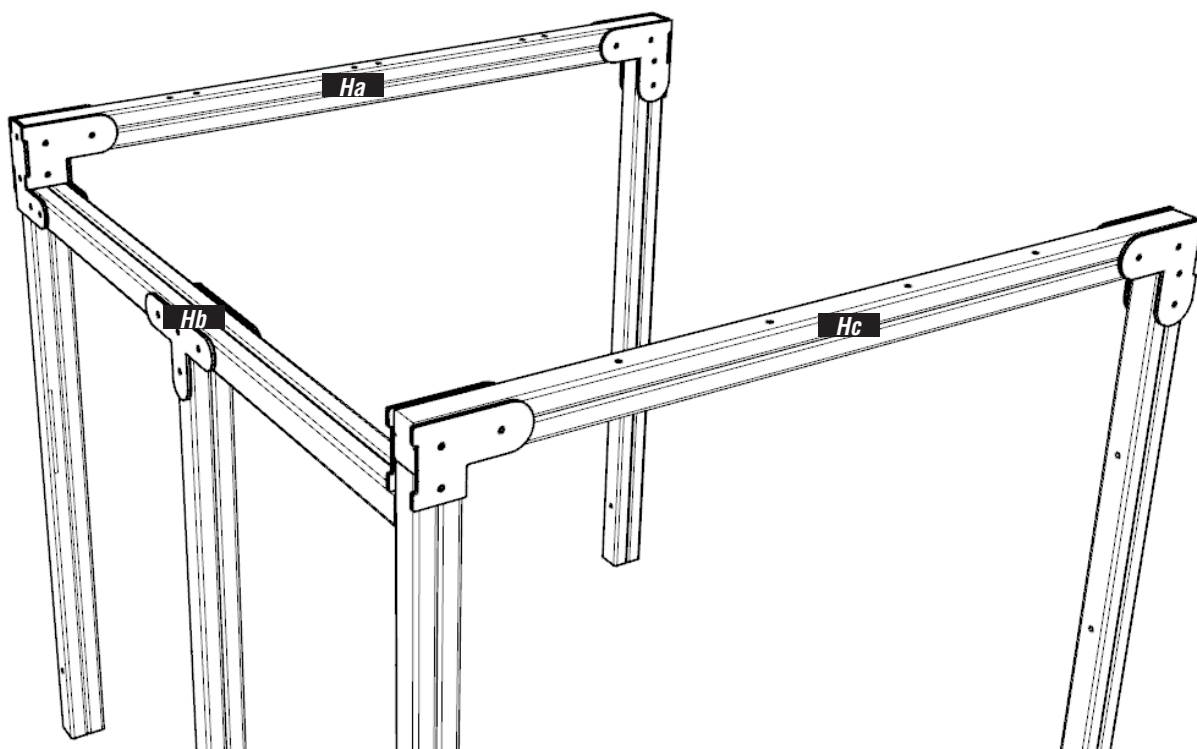
PLEASE ENSURE THE Hb IS FURTHER ATTACHED TO THE Ha PLAYTEC BRACKET



6

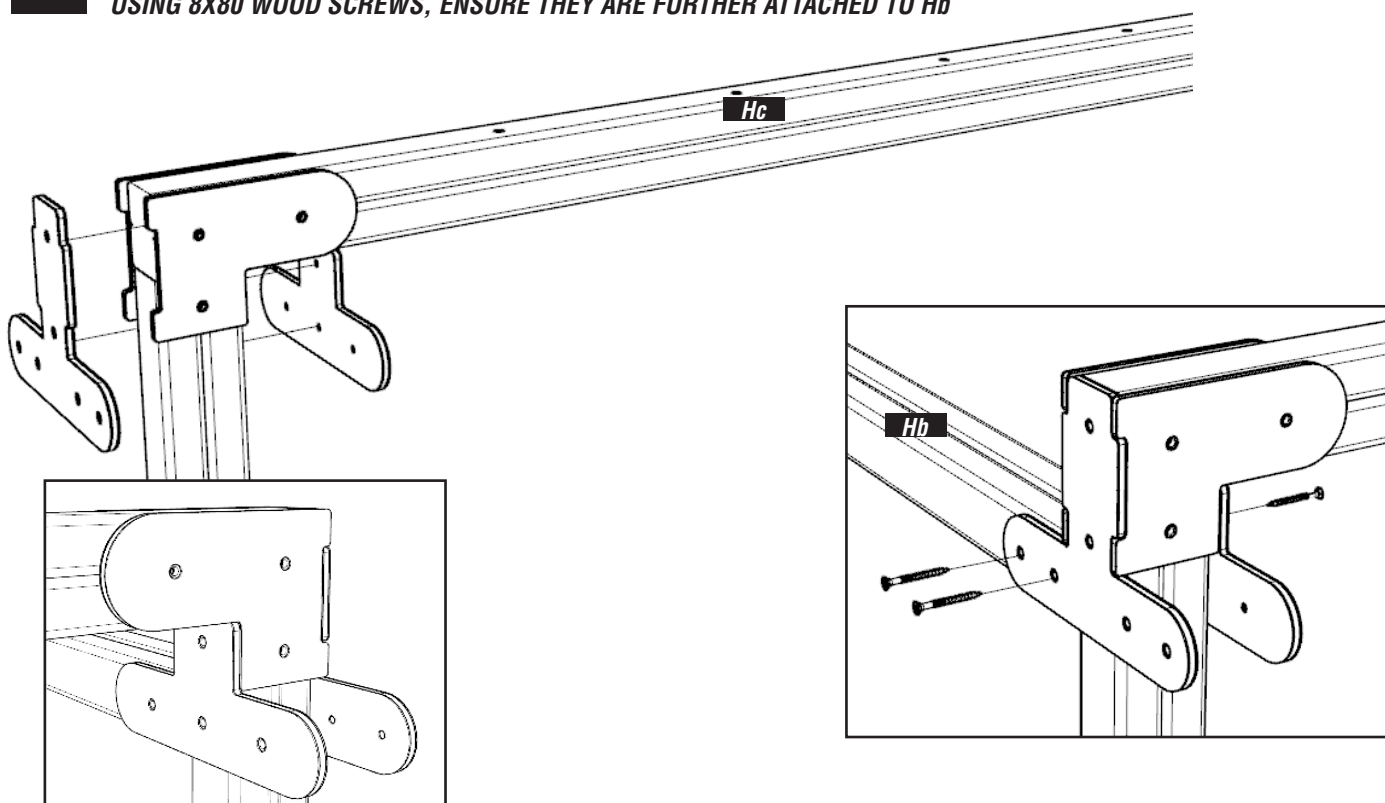
ATTACH TIMBER Hc

USING 8X80 WOOD SCREWS

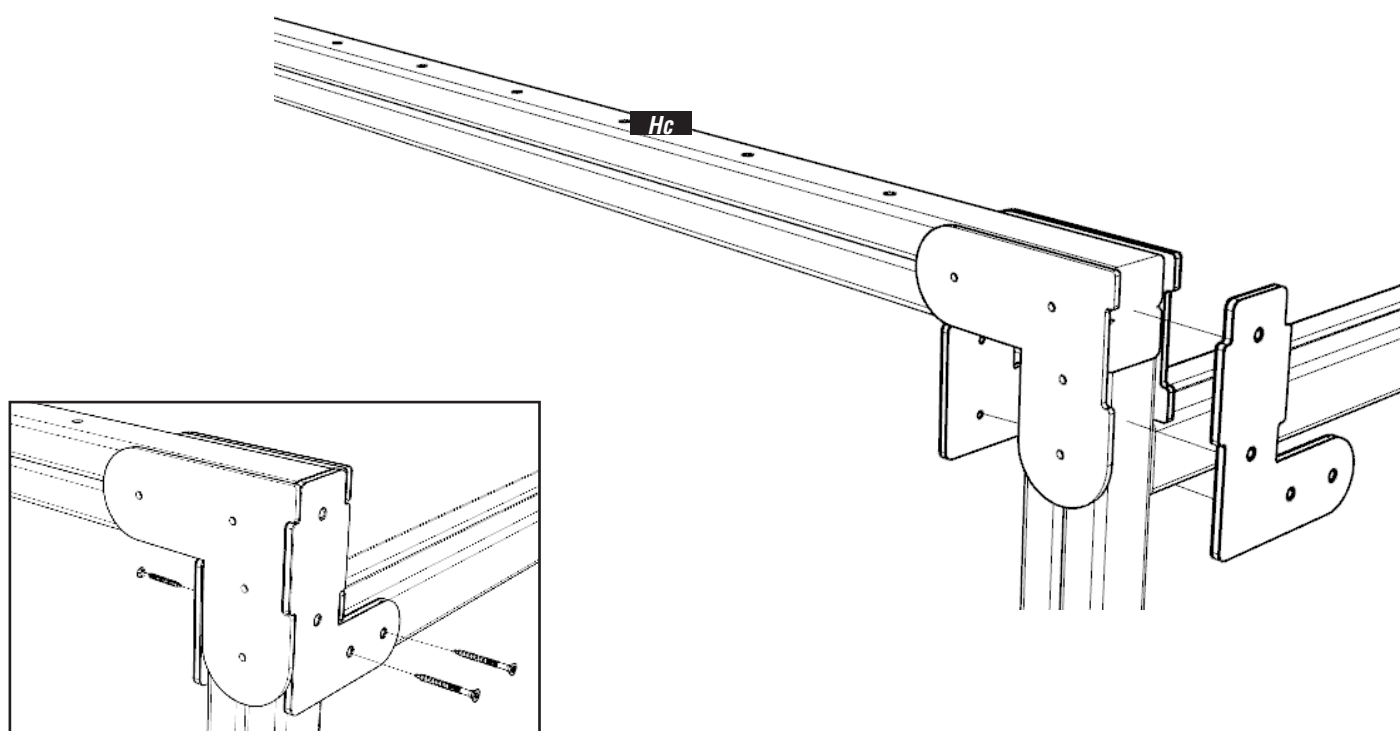


INSTALLATION INSTRUCTIONS

- 7** ATTACH PLAYTEC - SPECIAL T , INSIDE T & BACK
USING 8X80 WOOD SCREWS, ENSURE THEY ARE FURTHER ATTACHED TO Hb



- 8** ATTACH PLAYTEC - L (RIGHT), SHORT L (LEFT)
USING 8X80 WOOD SCREWS, ENSURE THEY ARE FURTHER ATTACHED TO Hb AS SHOWN

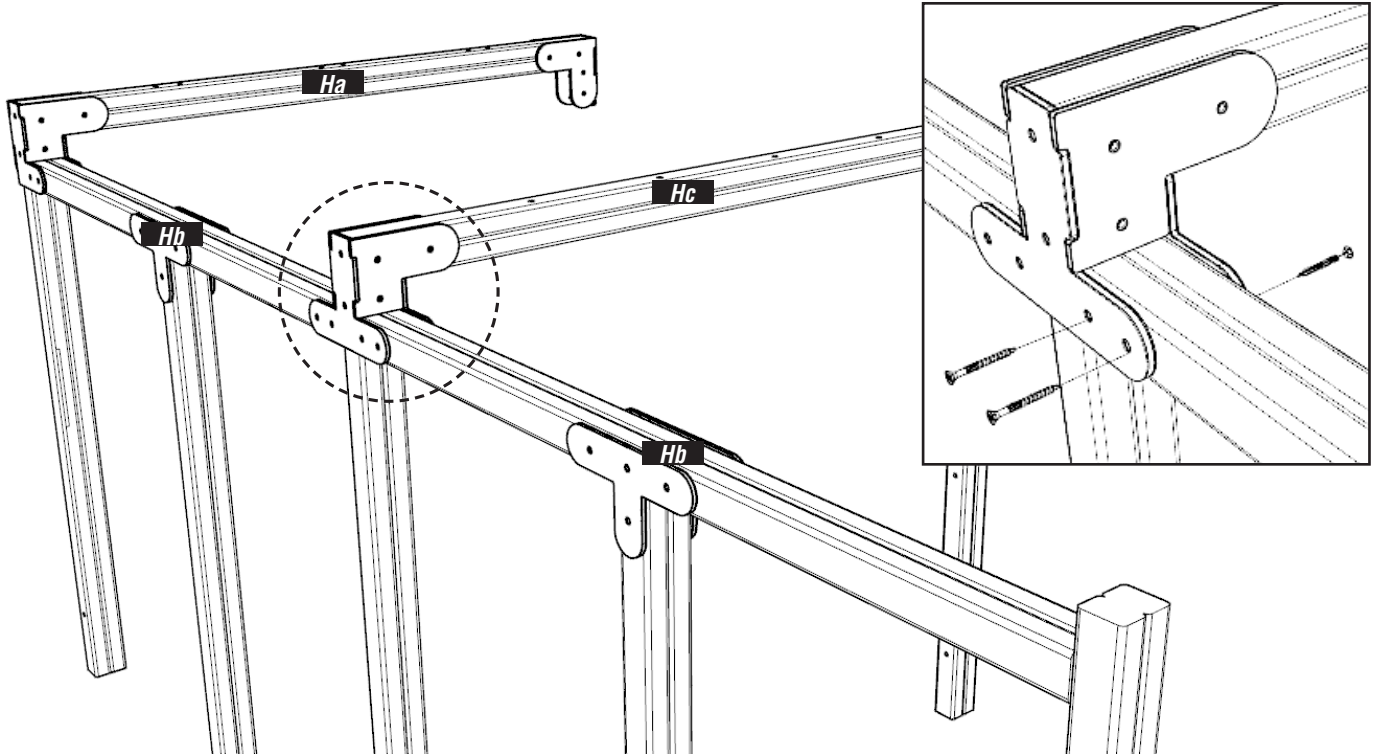


INSTALLATION INSTRUCTIONS

9

ATTACH SECOND H_b TIMBER

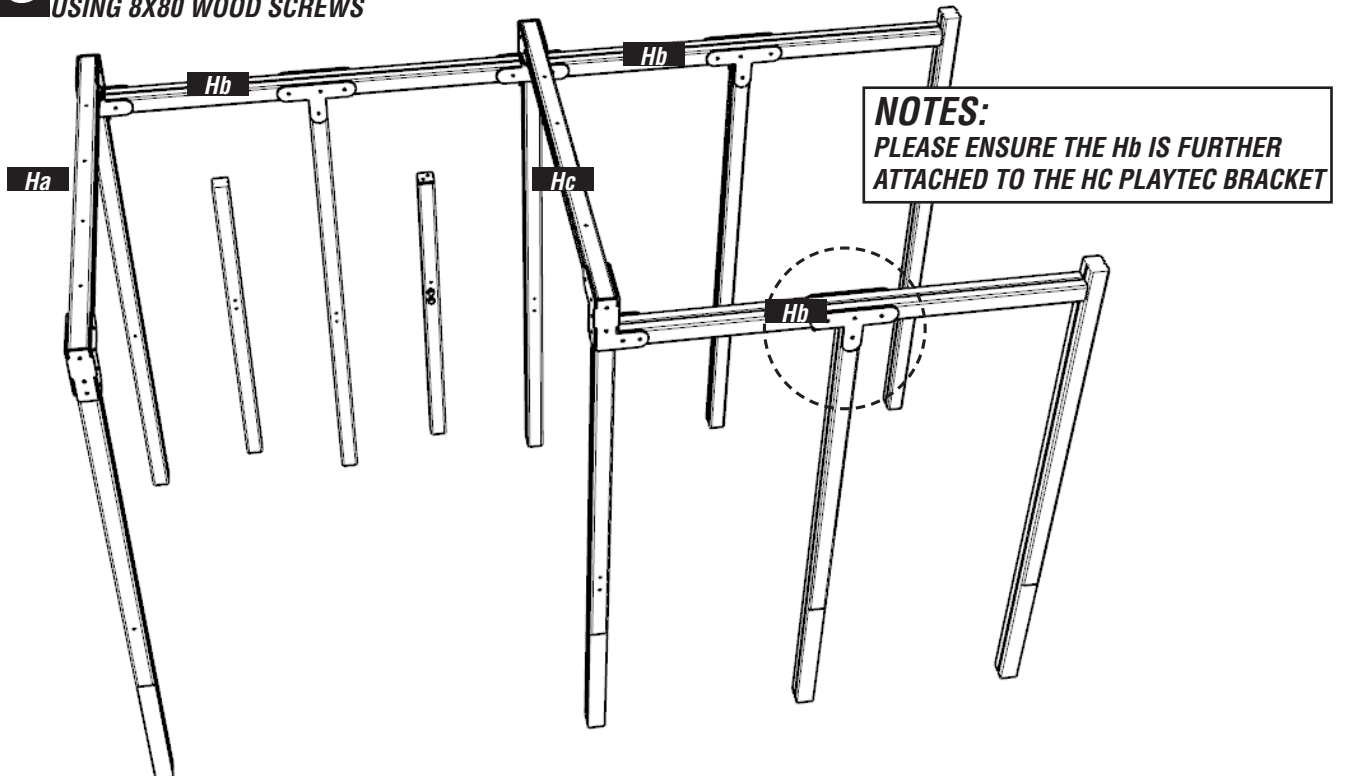
USING 8X80 WOOD SCREWS, ENSURE IT IS FURTHER ATTACHED TO THE H_c SPECIAL T BRACKET AS SHOWN



10

ATTACH TIMBER H_b

USING 8X80 WOOD SCREWS

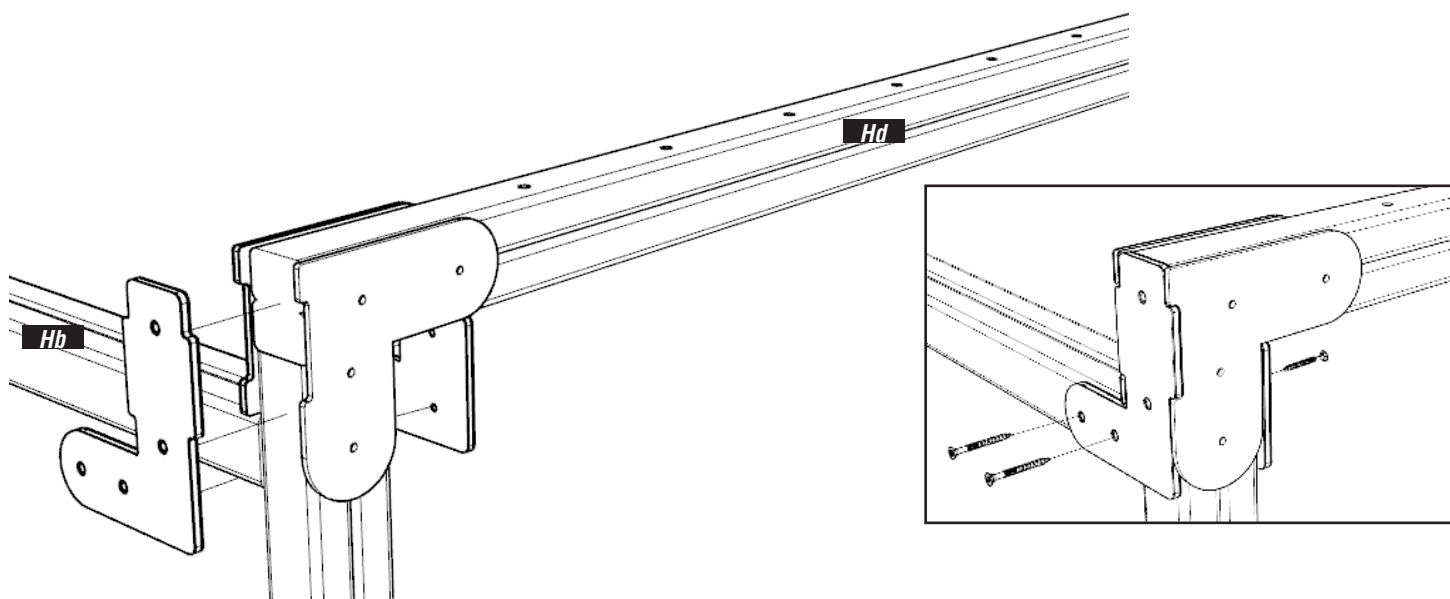


INSTALLATION INSTRUCTIONS

11

ATTACH PLAYTEC - L (LEFT), SHORT L (RIGHT) & BACK

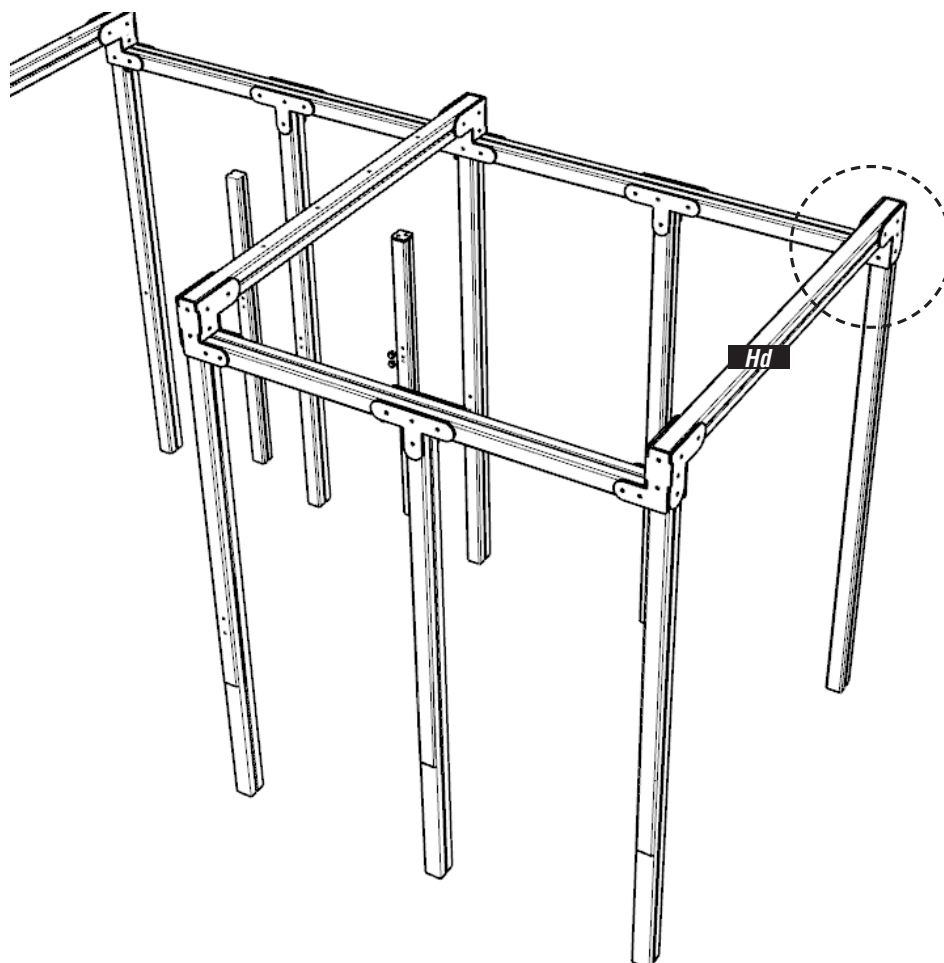
USING 8X80 WOOD SCREWS, ENSURE THEY ARE FURTHER ATTACHED TO Hb AS SHOWN



12

ATTACH PLAYTEC - L (RIGHT), SHORT L (LEFT)

USING 8X80 WOOD SCREWS, ENSURE THEY ARE FURTHER ATTACHED TO Hd AS SHOWN

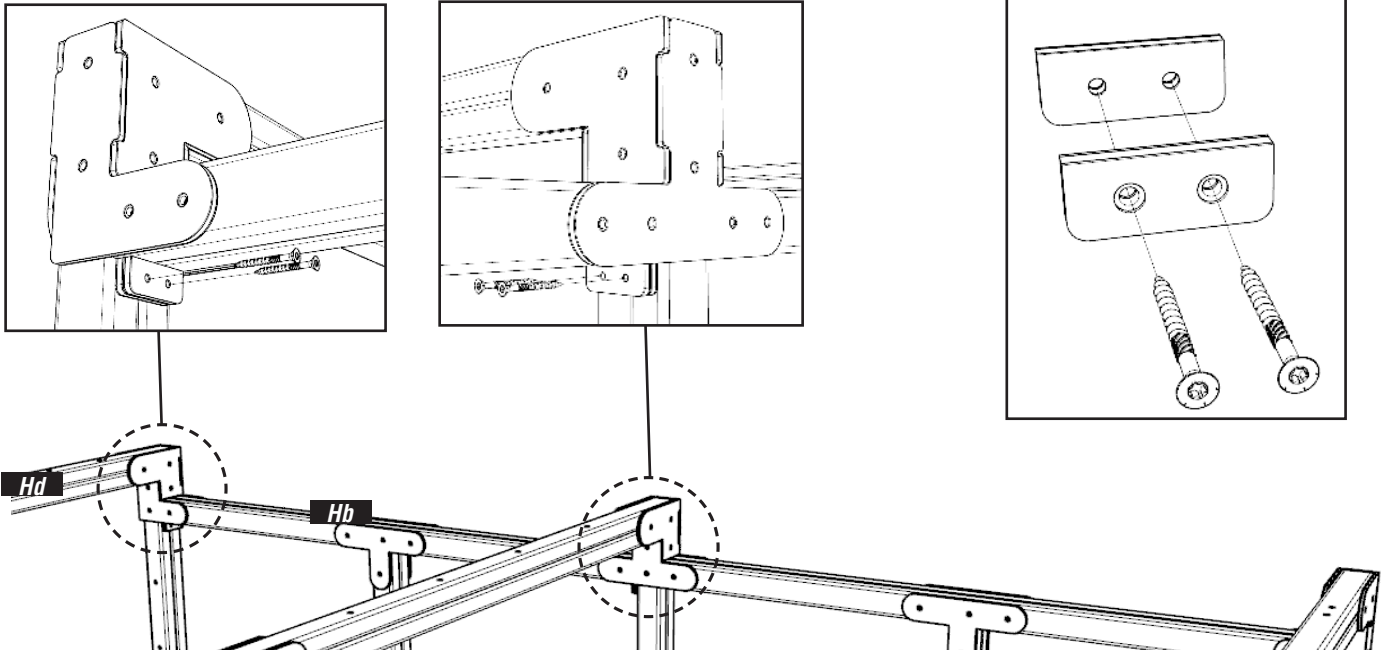


INSTALLATION INSTRUCTIONS

13

ATTACH PLAYTEC - UNDER BRACKETS ON SECOND Hb

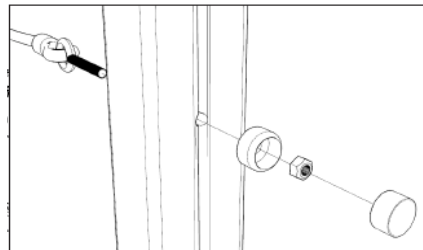
USING 8X80 WOOD SCREWS, ASSEMBLE UNDERBRACKETS AS SHOWN TO RIGHT



14

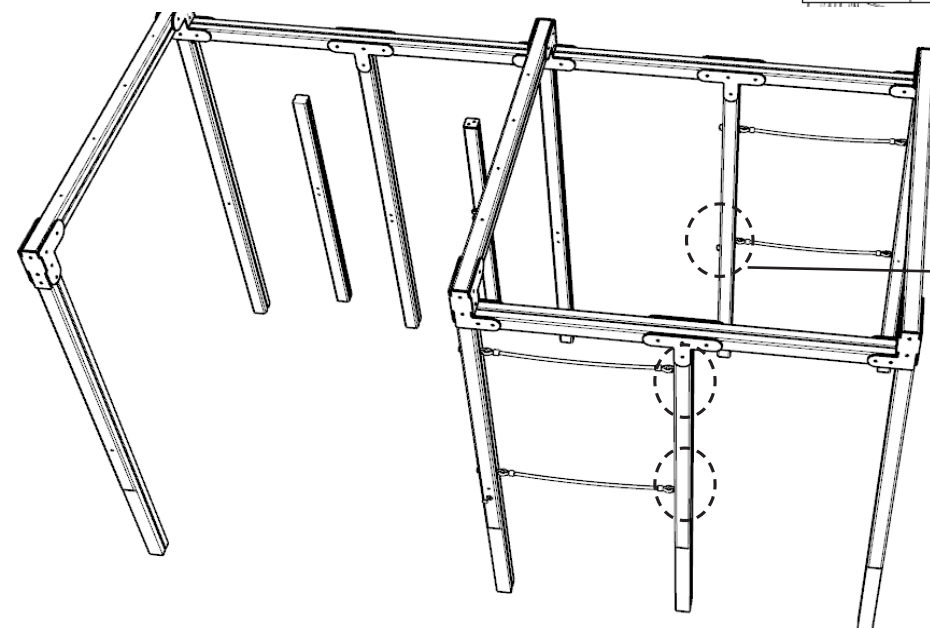
ATTACH INDIVIDUAL ROPES X4

USING NYLOCS X8 , ENDCAPS X5



NOTES:

TIMBERS HAVE COUNTERSUNK HOLES X3 AS SHOWN, THIS IS FOR WHEN CLIMBING WALL BUTT UPS TO, NO ENDCAP REQUIRED

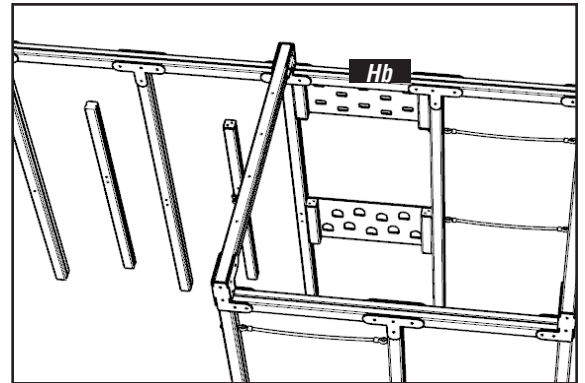
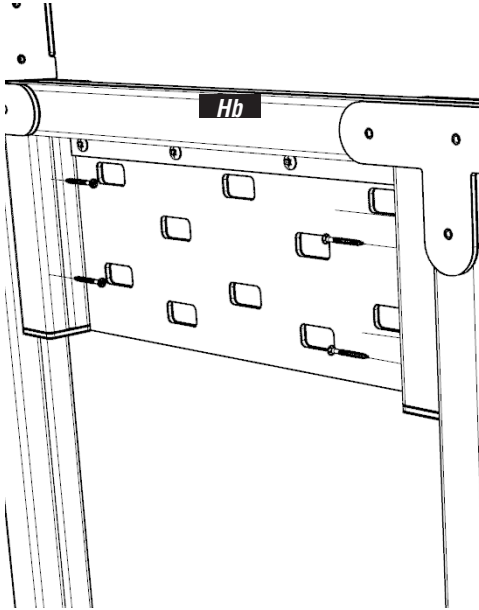


15

ATTACH UPPER PLAYTEC CLIMBING PANELS TO Hb TIMBER SHOWN
USING 8X180 WOOD SCREWS (2 SCREWS PER TIMBER SPACED EQUALLY)

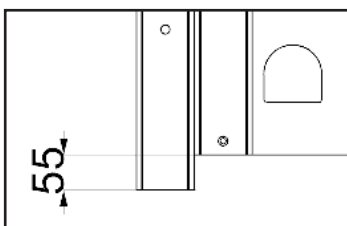
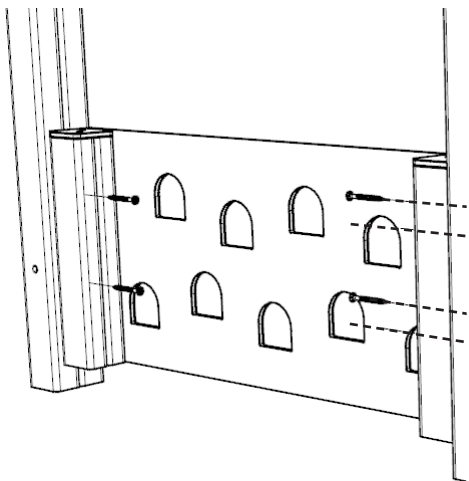
NOTES:

**TAKE CARE THAT SCREWS DO NOT
'CROSS' IN CENTRAL TIMBERS**



16

ATTACH LOWER PLAYTEC CLIMBING PANELS
USING 8X180 WOOD SCREWS (2 SCREWS PER TIMBER SPACED EQUALLY)



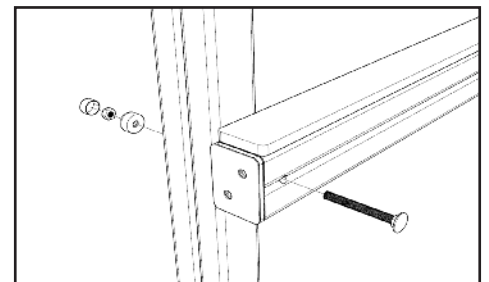
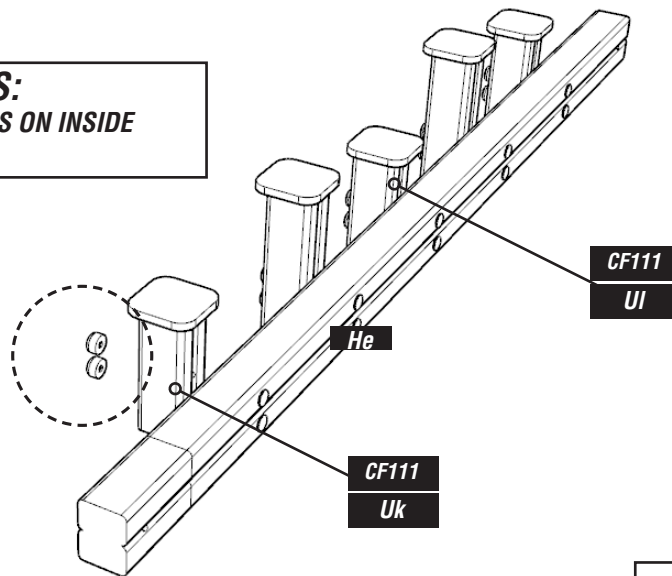
INSTALLATION INSTRUCTIONS

16

ATTACH LOG STEPS TO He

USING M12X220 x10/ NYLOC X10 / ENDCAP X10

NOTES:
ENDCAPS ON INSIDE

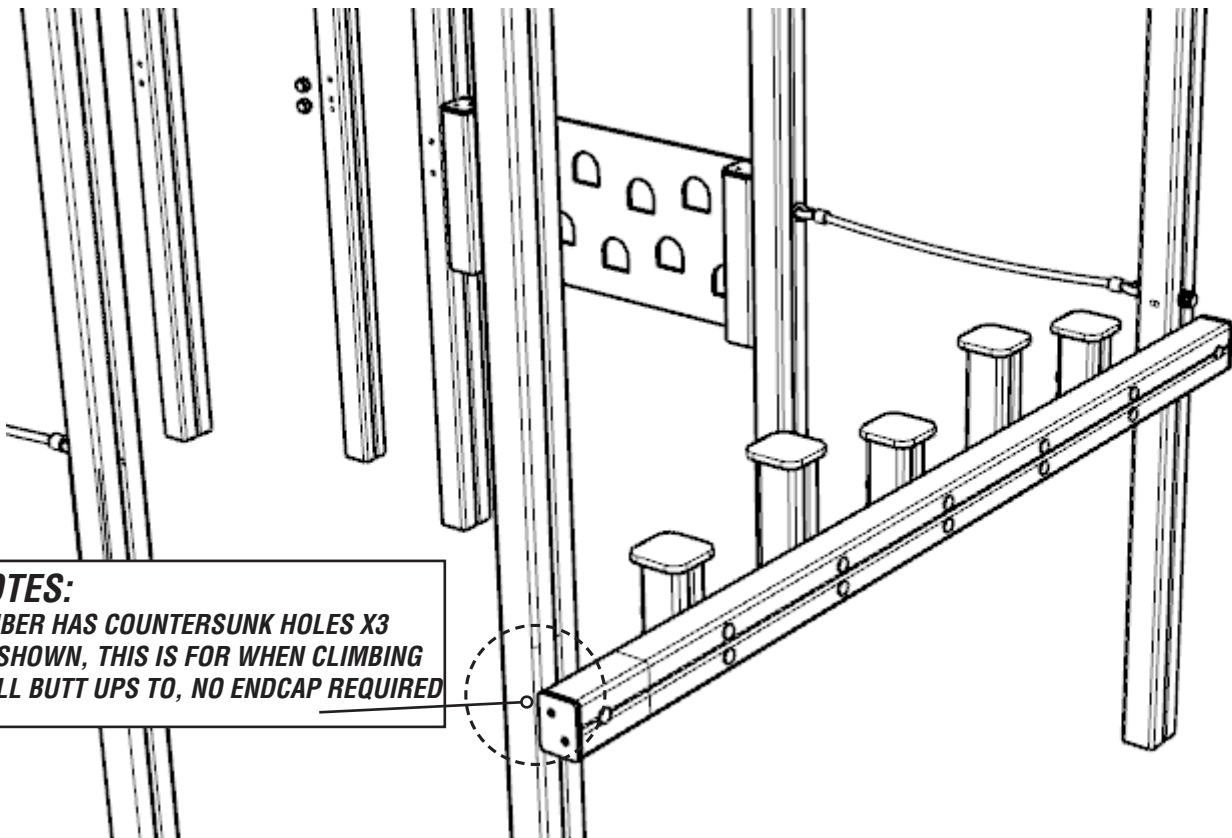


17

ATTACH He TIMBER TO UPRIGHTS

USING M12X220 x2/ NYLOC X2/ ENDCAP X1

NOTES:
TIMBER HAS COUNTERSUNK HOLES X3
AS SHOWN, THIS IS FOR WHEN CLIMBING
WALL BUTT UPS TO, NO ENDCAP REQUIRED

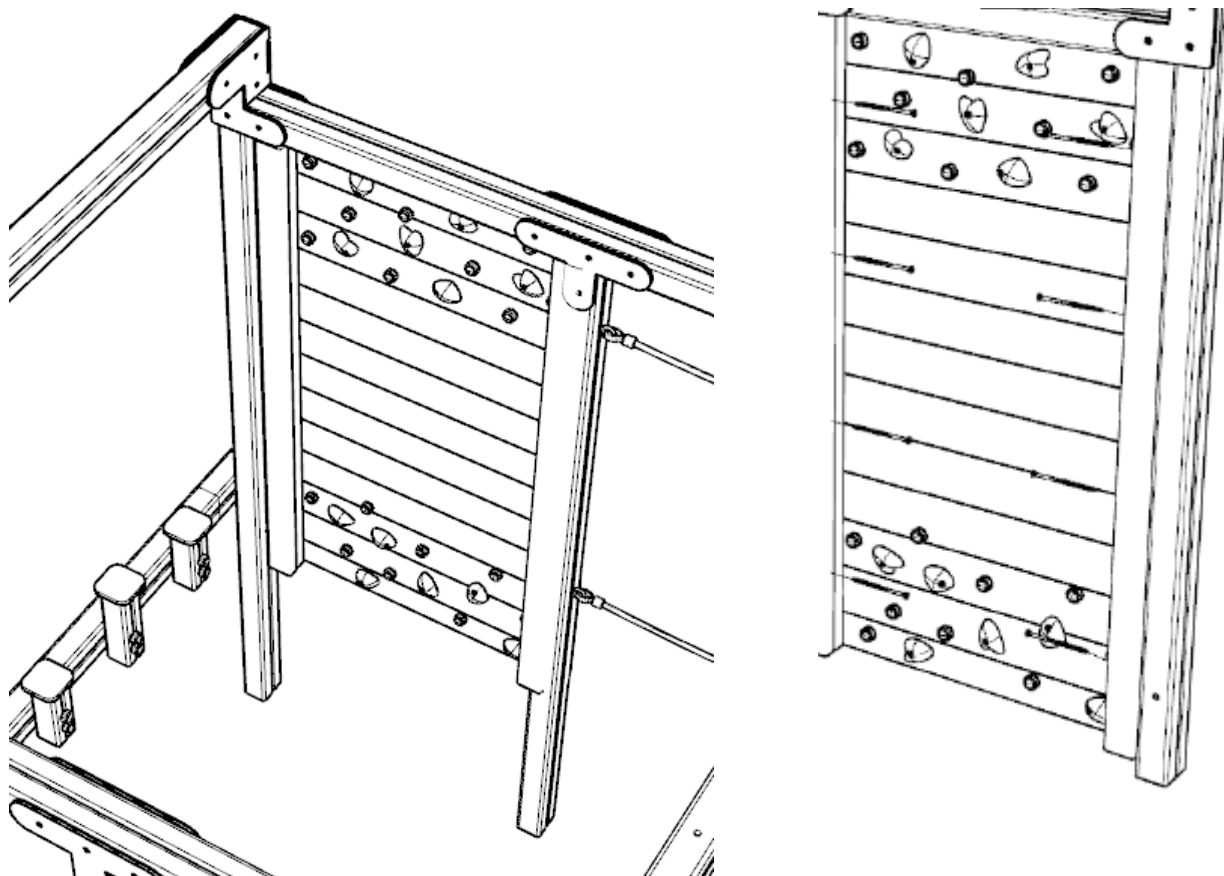


INSTALLATION INSTRUCTIONS

18

ATTACH TIMBER CLIMBING WALL

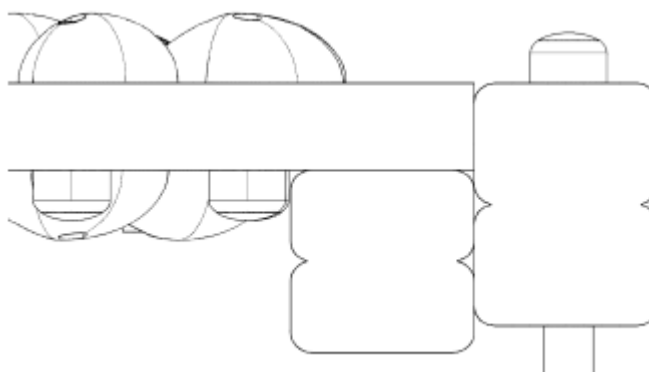
USING 8X180 WOOD SCREWS, EQUALLY SPACED AS SHOWN



NOTES:

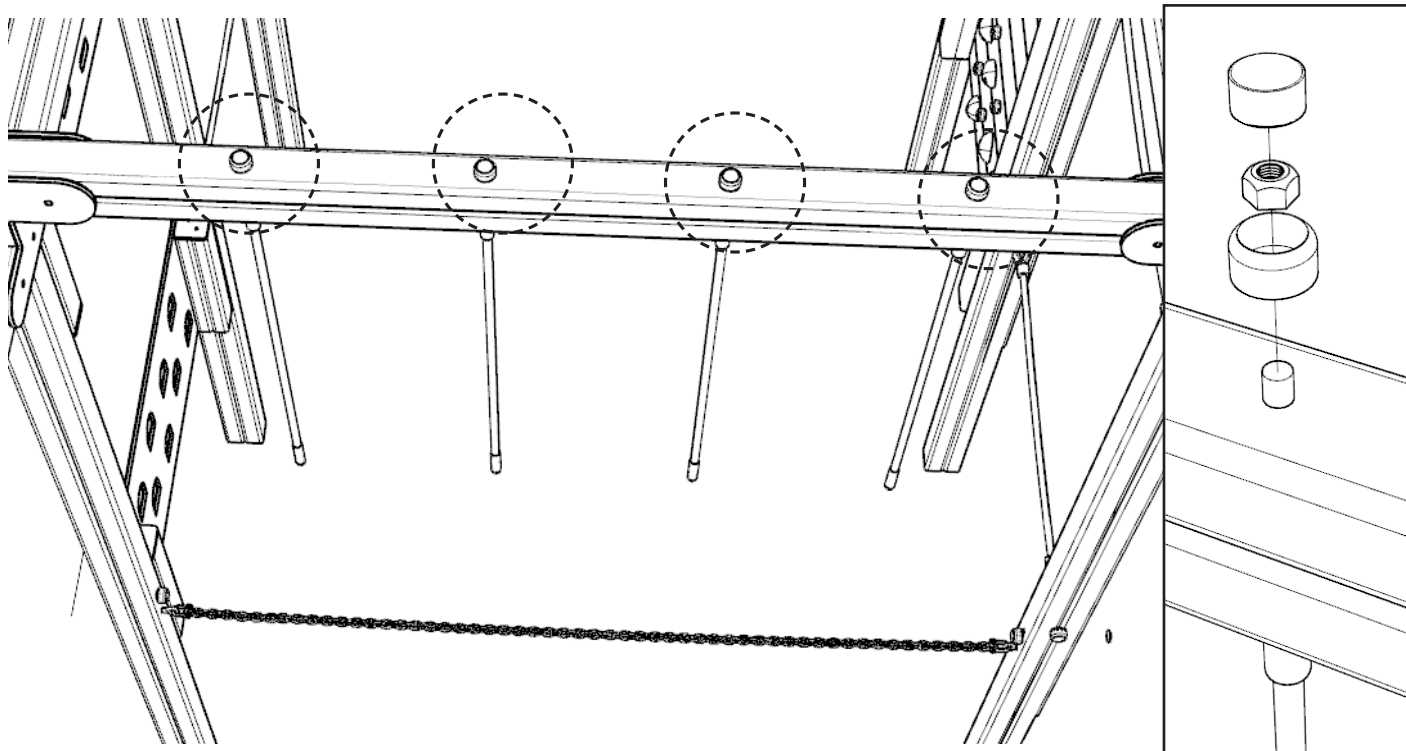
ENSURE OUTER WALL IS FLUSH WITH
OUTER TIMBER

BUTT WALL TO TOP OF HORIZONTAL
TIMBER

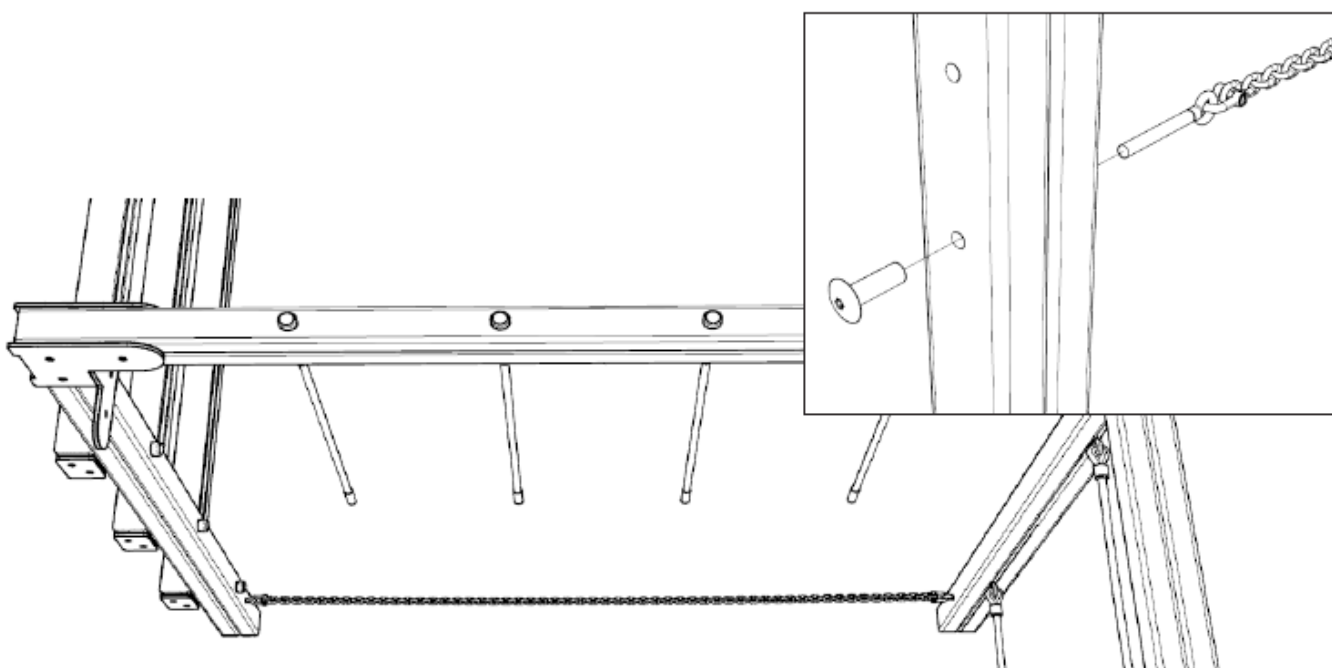


INSTALLATION INSTRUCTIONS

19 ATTACH SWINGING ROPES USING NYLOC X4 / ENDCAPS X4



20 ATTACH SWINGING ROPE CHAIN USING M12 X 50MM SOCKET NUT, D-SHACKLE AND EYEBOLT SHOULD BE PRE-ATTACHED TO CHAIN

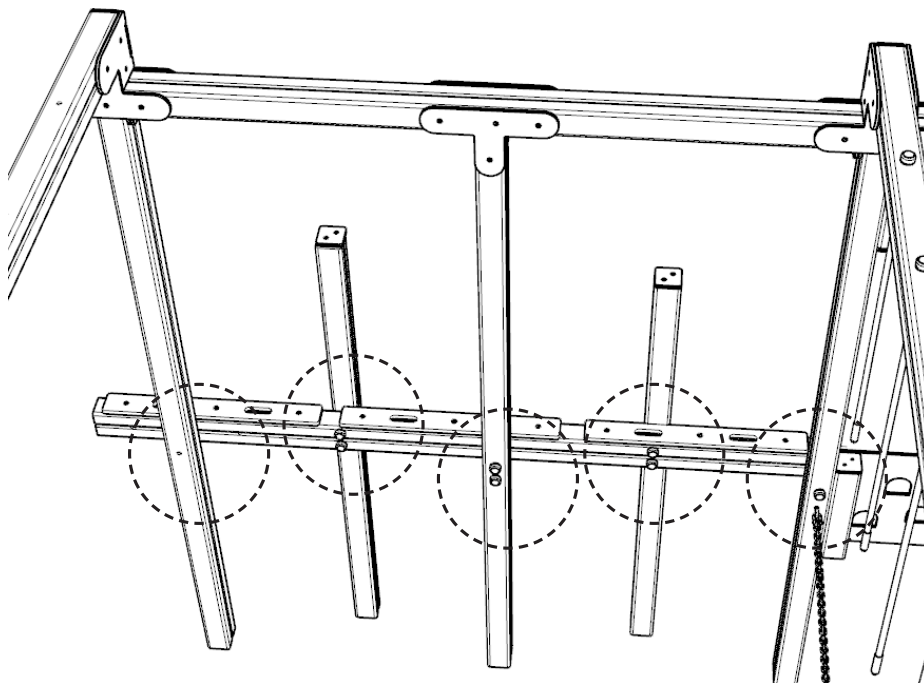


INSTALLATION INSTRUCTIONS

21

ATTACH Hg TIMBER TO UPRIGHTS

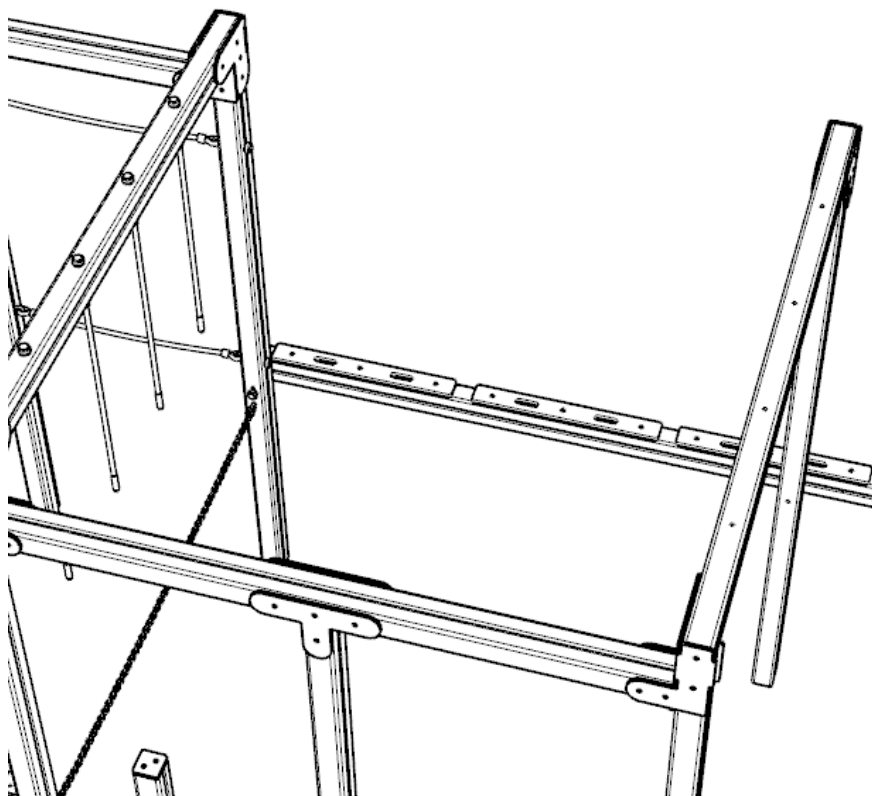
USING M12 X 230MM BOLTS X2 / M12 X 220 BOLTS X6 / NYLOCS X8



22

ATTACH Hf TIMBER TO UPRIGHTS

USING M12 X 230MM BOLTS X2 / NYLOCS X2

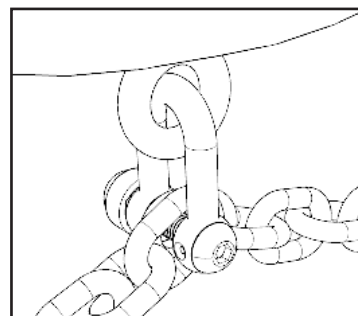
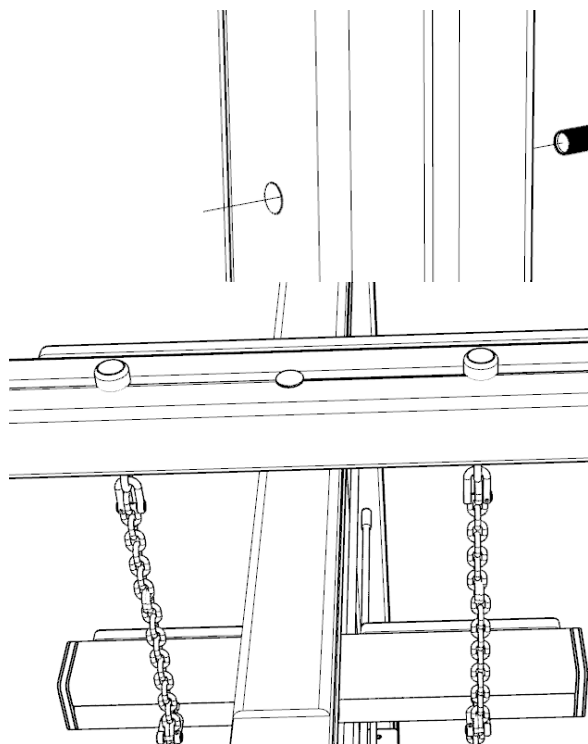
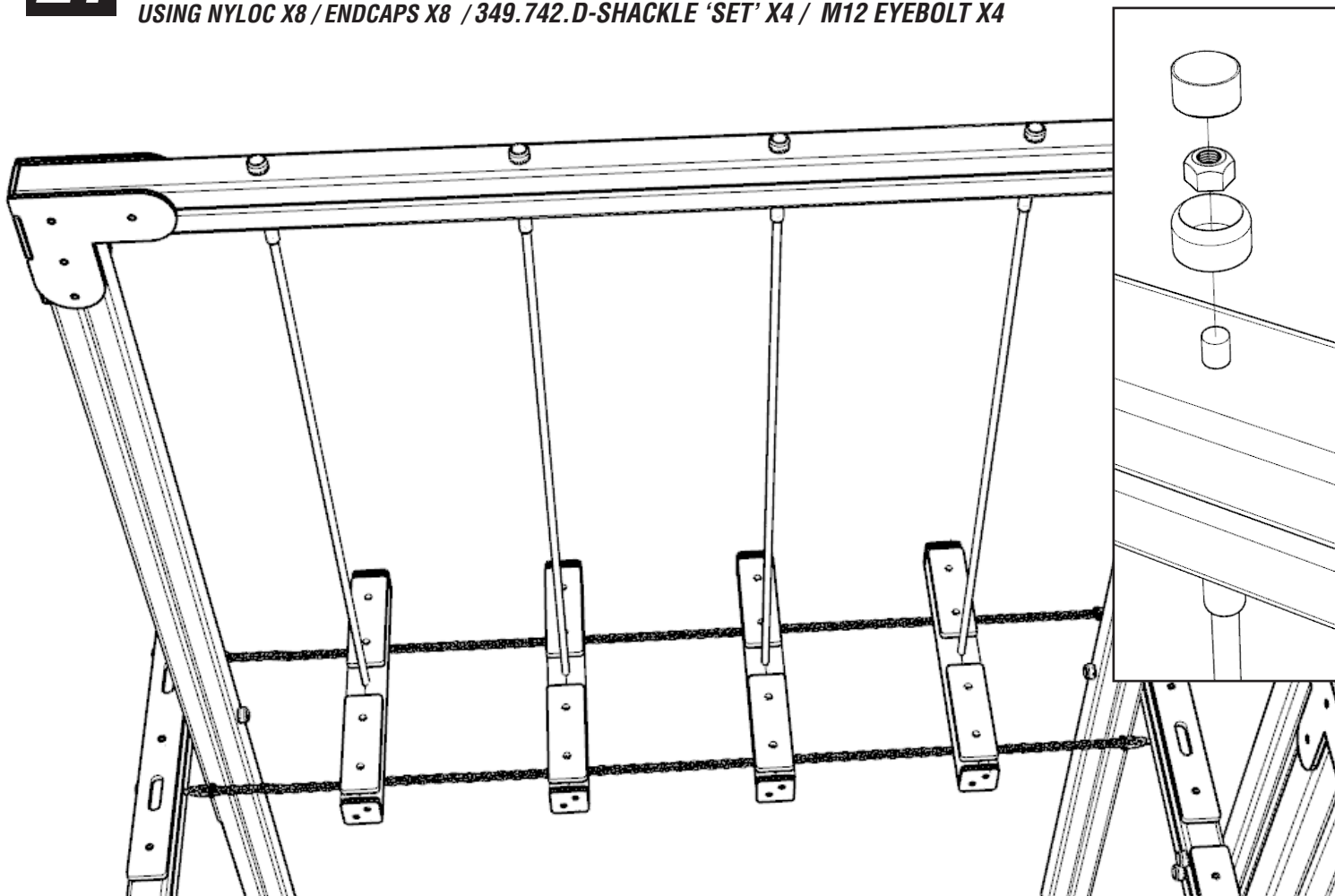


INSTALLATION INSTRUCTIONS

21

ATTACH PRE-ASSEMBLED ROPE WALK

USING NYLOC X8 / ENDCAPS X8 / 349.742.D-SHACKLE 'SET' X4 / M12 EYEBOLT X4



NOTES:

- REPEAT EYEBOLT CHAIN ON BOTH SIDES
- ENSURE CHAIN IS LINKED AS SHOWN
- ENSURE CHAIN IS POSITION ON INSIDE OF D - RING
- REMOVE LINKS IF NECESSARY

ADDITIONAL DIMENSIONS

