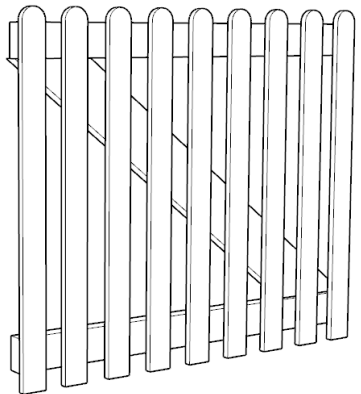
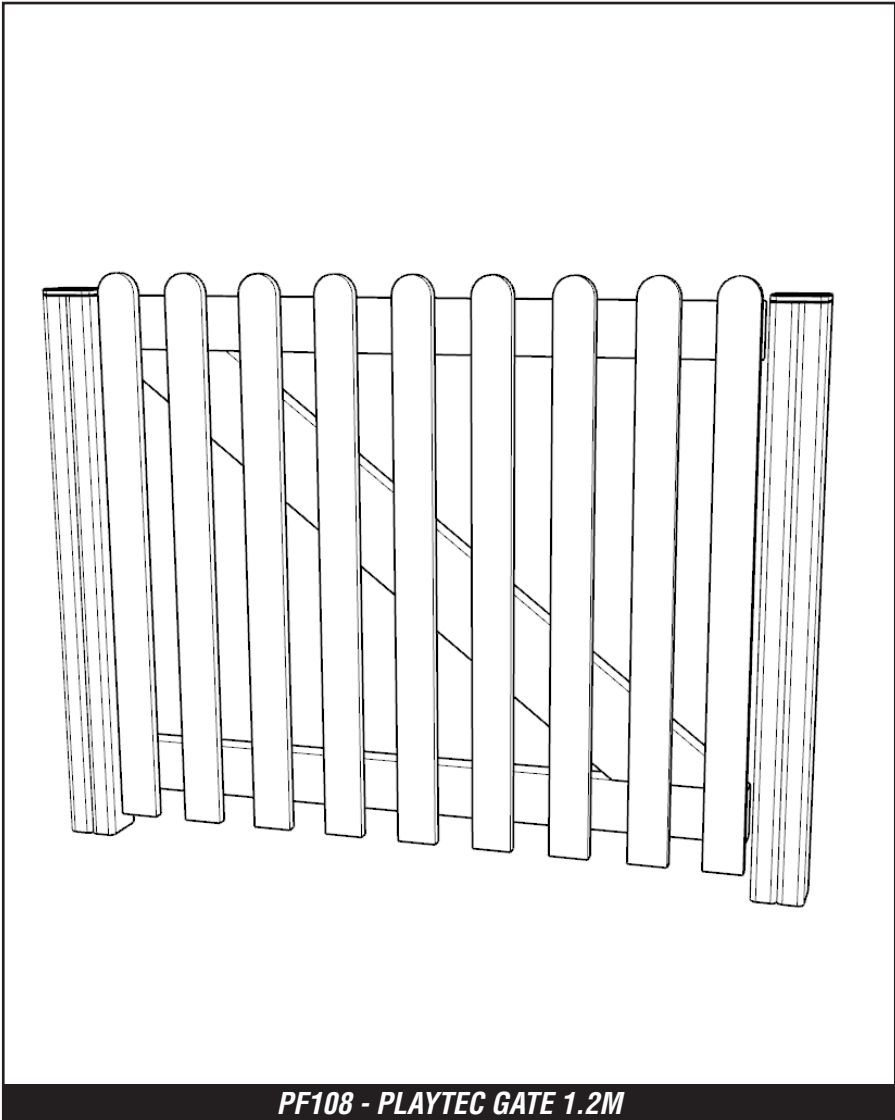


PF108 - MULTI-COLOURED PLAYTEC GATE 1.2M

Installation Instructions



x1

PRE-ASSEMBLED GATE



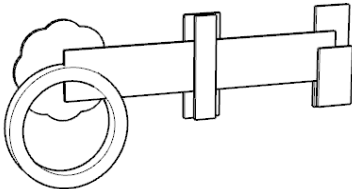
M8X80 x8
M6X60 x6
M6X40 x16

CTS SCREWS



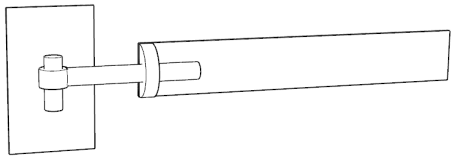
x2

UPRIGHTS -PF102-B



x1

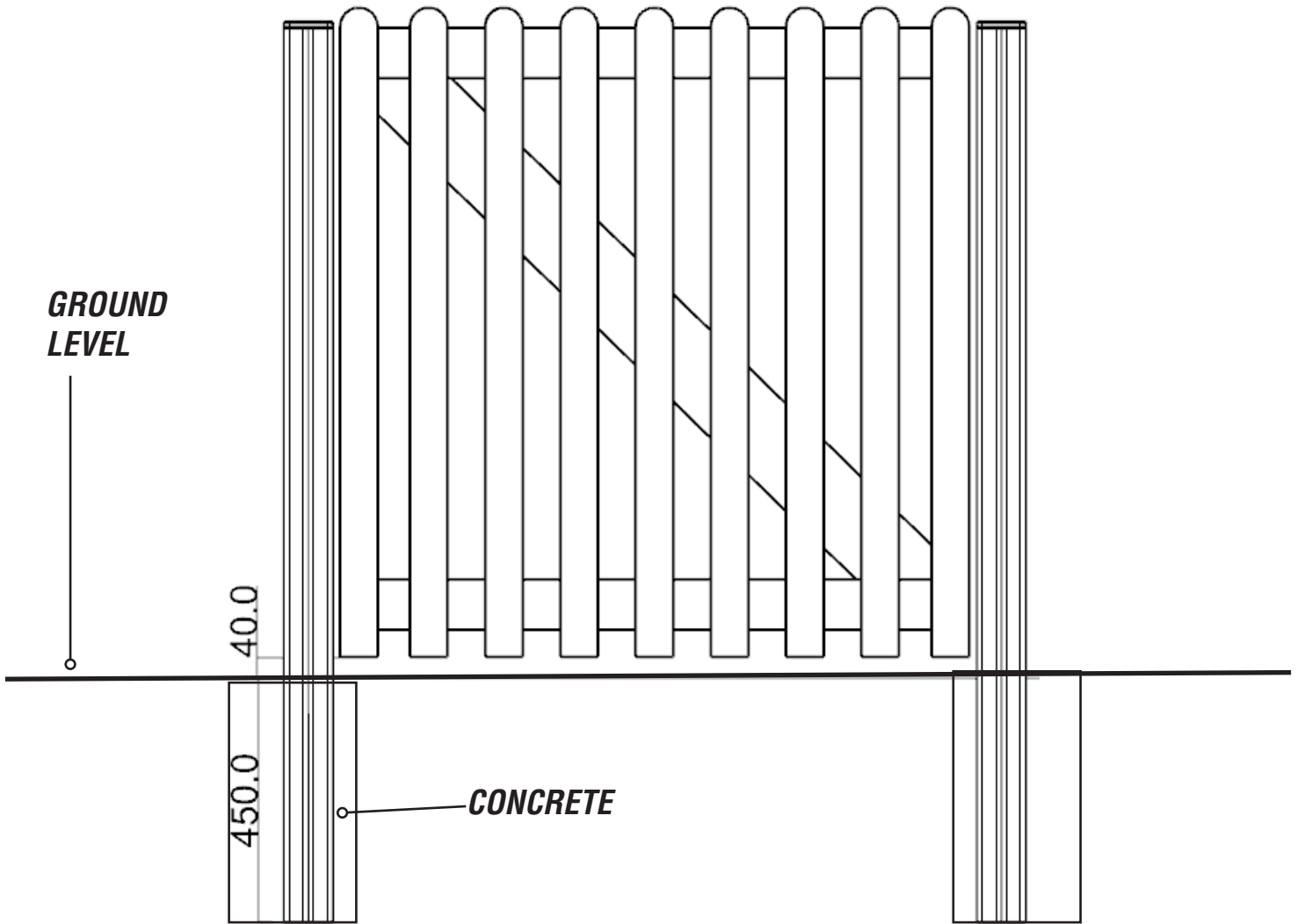
GATE LATCH SET



x2

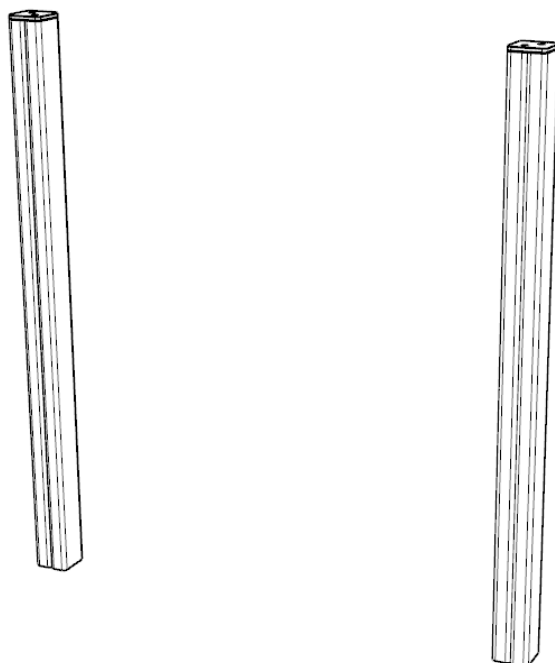
HINGES SET

FOUNDATION DETAILS

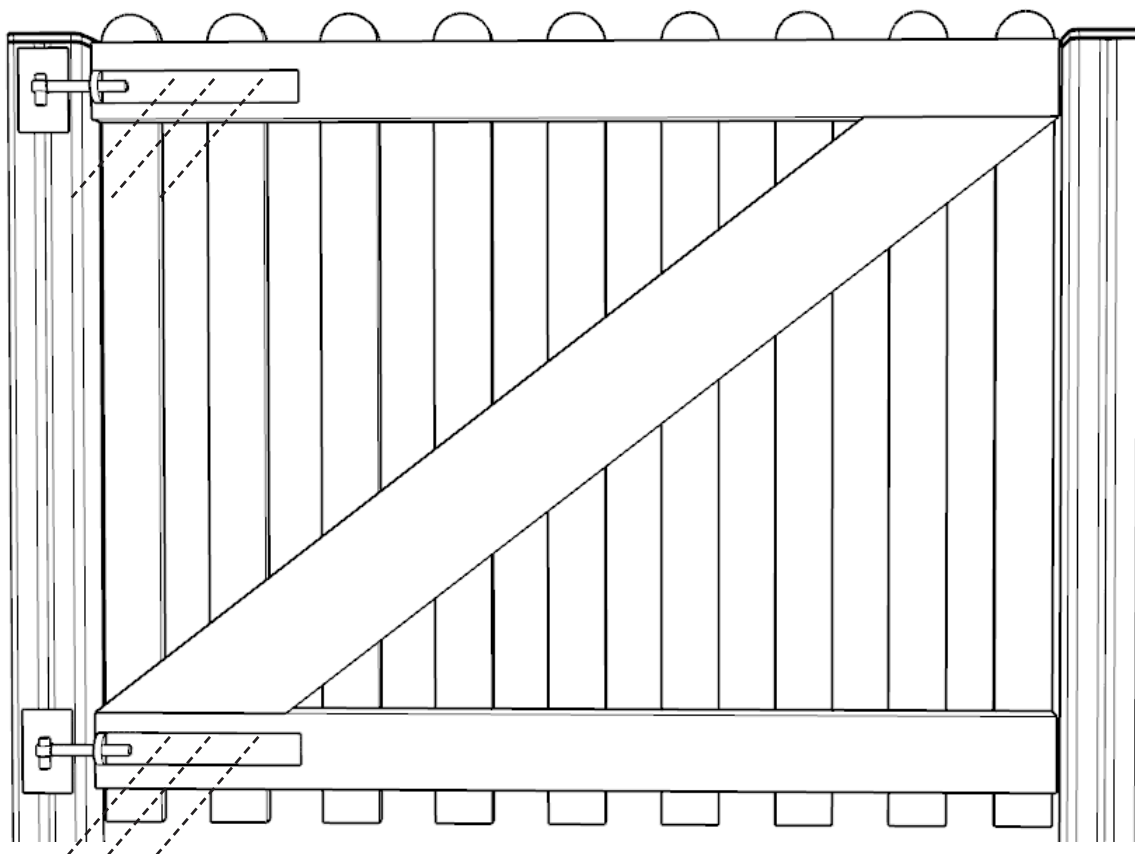


INSTALLATION INSTRUCTIONS

1 INSTALL UPRIGHTS INTO THE GROUND



2 ATTACH GATE BRACKETS TO GATE USING - M8X80 [X8]

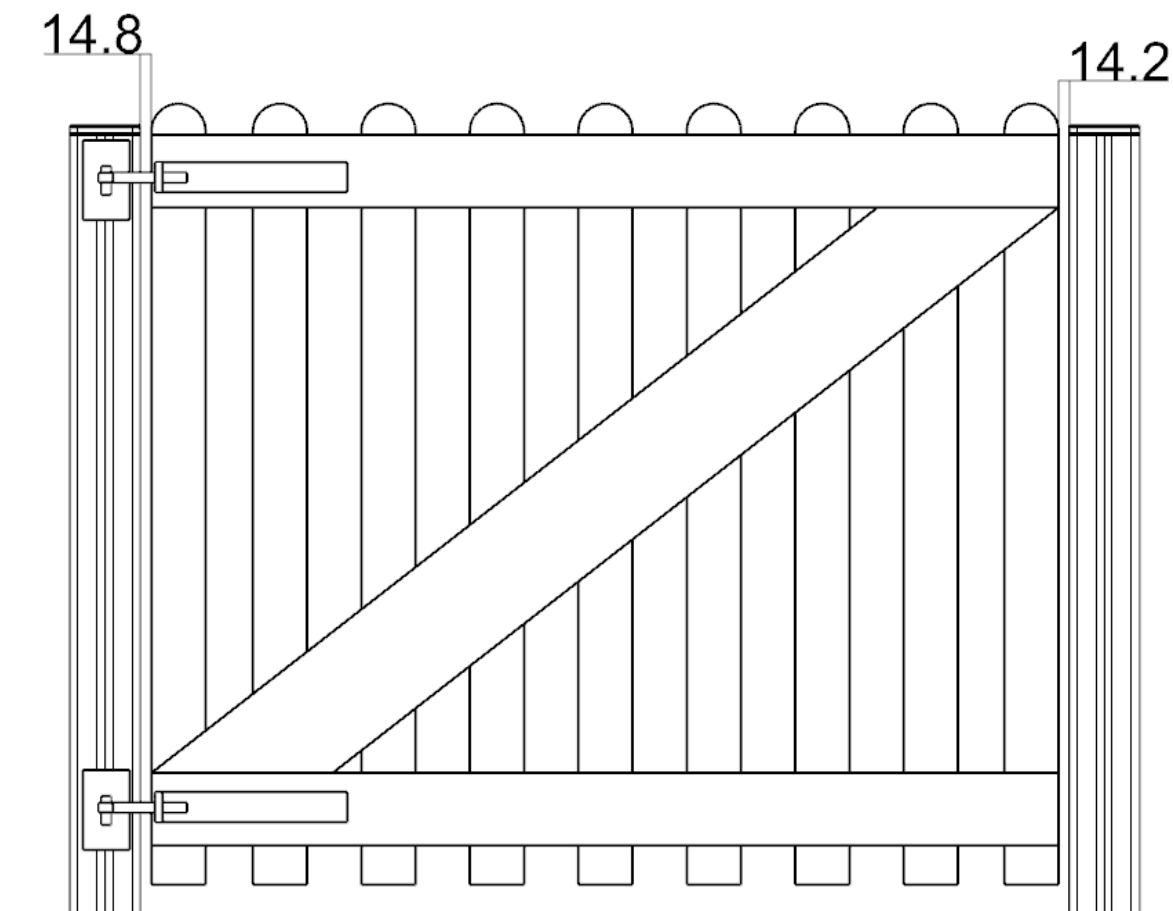


INSTALLATION INSTRUCTIONS

3

ATTACH BRACKETS TO UPRIGHTS, ENSURE GAP IS AS BELOW

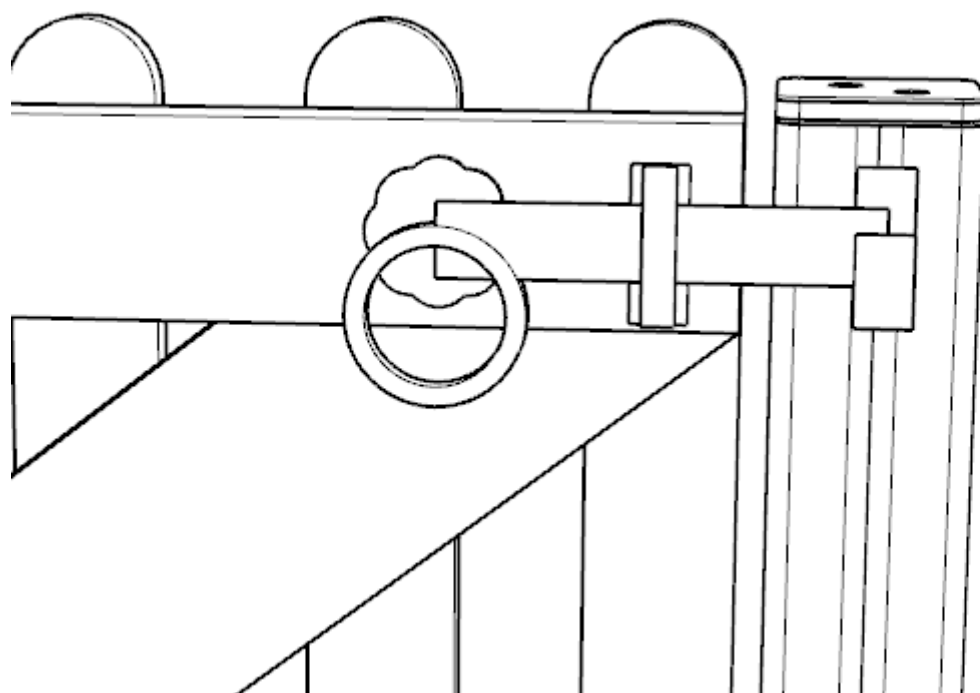
USING M8 X 60 WOOD SCREWS [X6] M6 X 40 WOOD SCREWS [X8] ADJUSTABLE HINGE SET [X2]



4

ATTACH GATE CLOSURE TO GATE

USING M6 X 40 WOOD SCREWS [X8] GATE LATCH SET [X1]



ADDITIONAL DIMENSIONS

