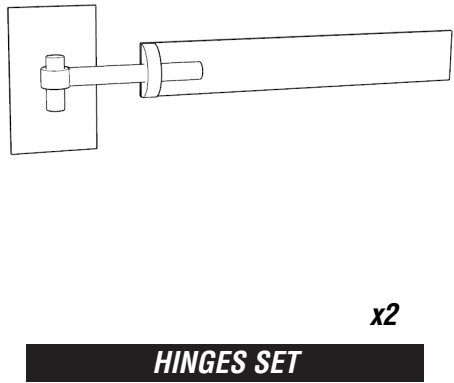
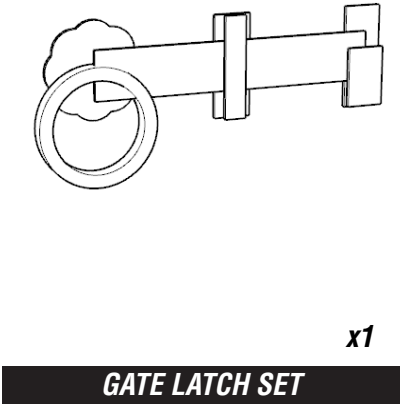
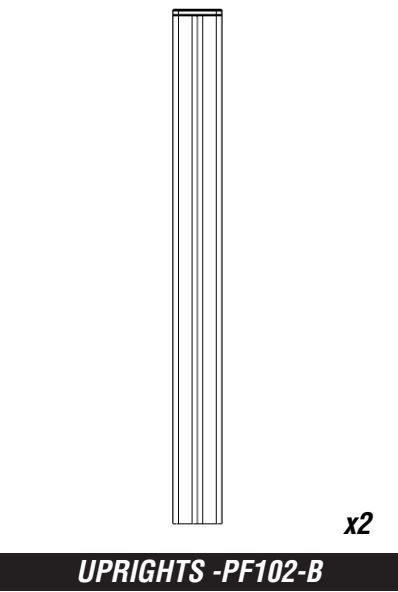
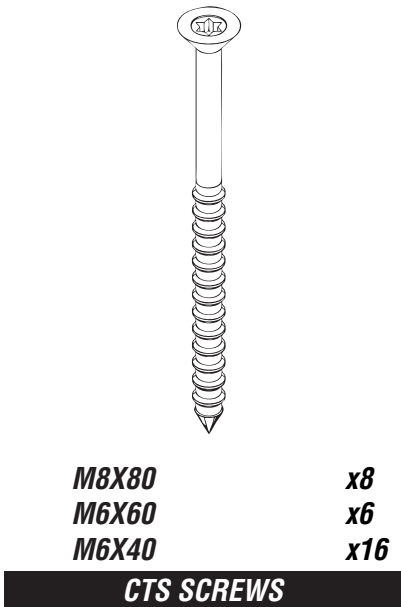
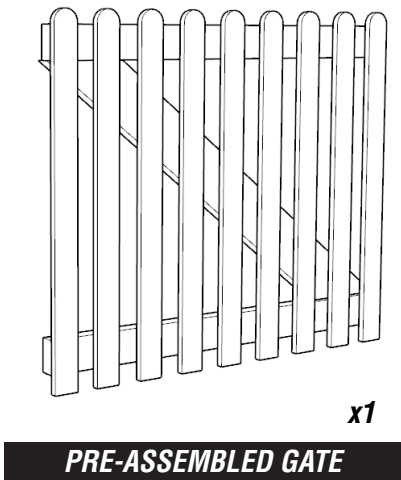
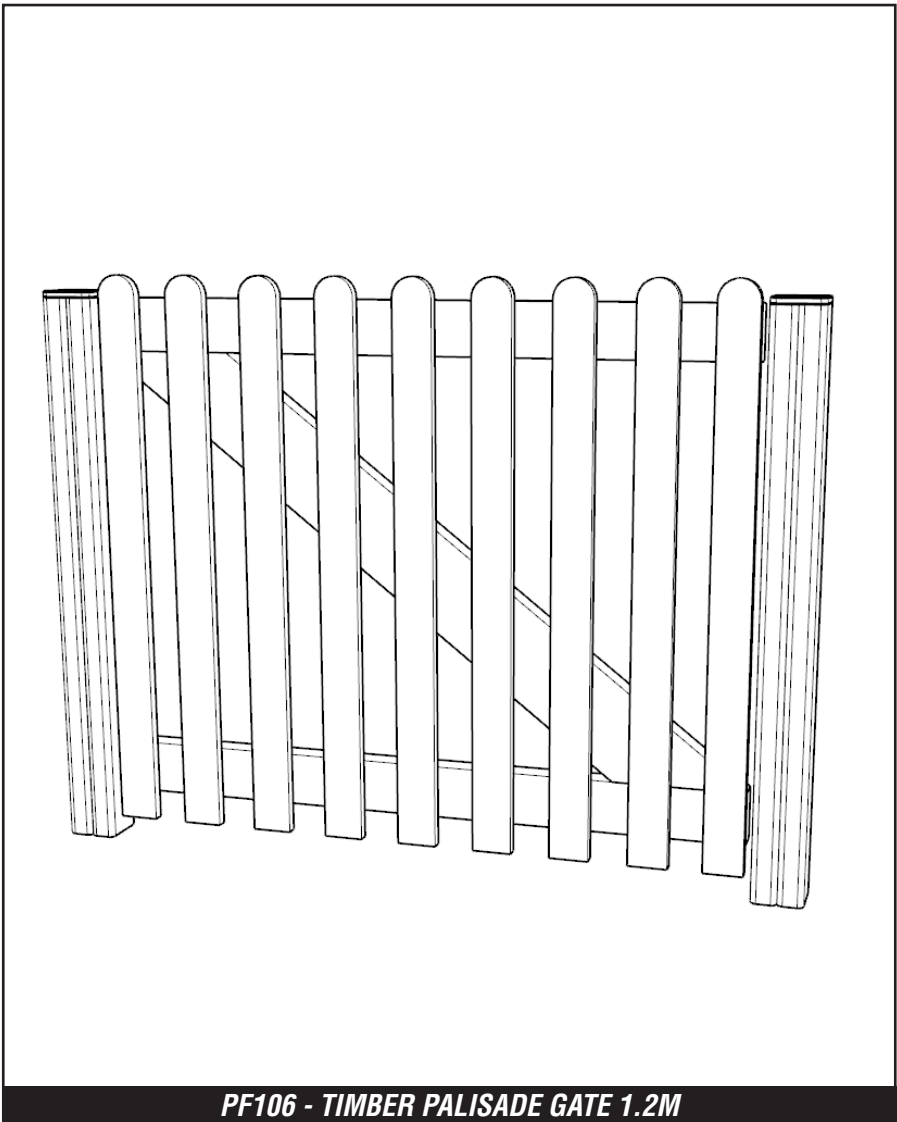


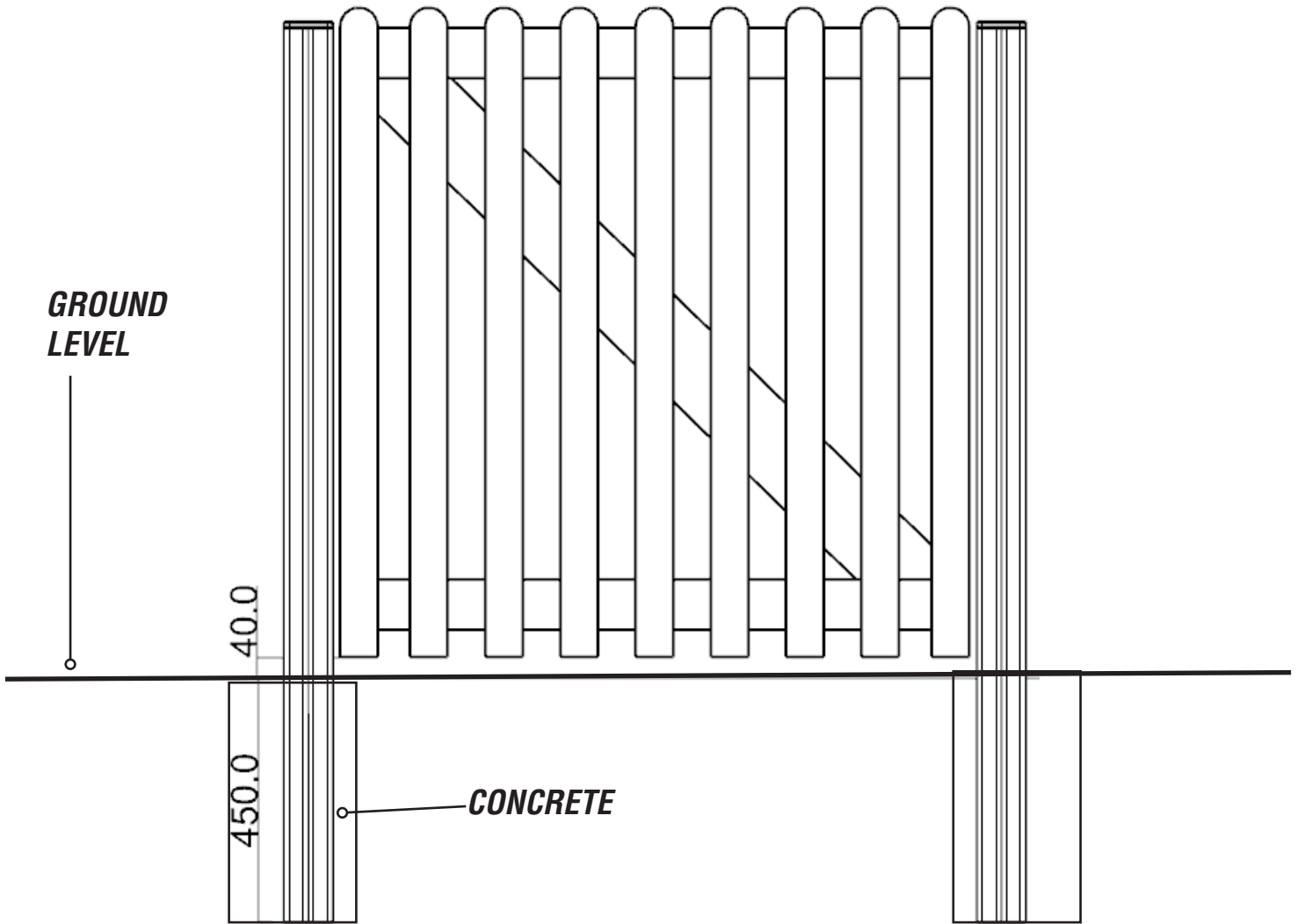
# PF106- TIMBER PALISADE GATE 1.2M

## Installation Instructions



# FOUNDATION DETAILS

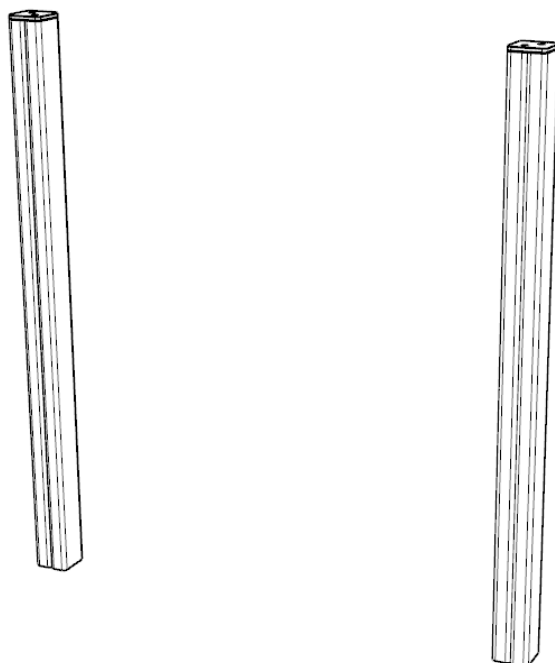
---



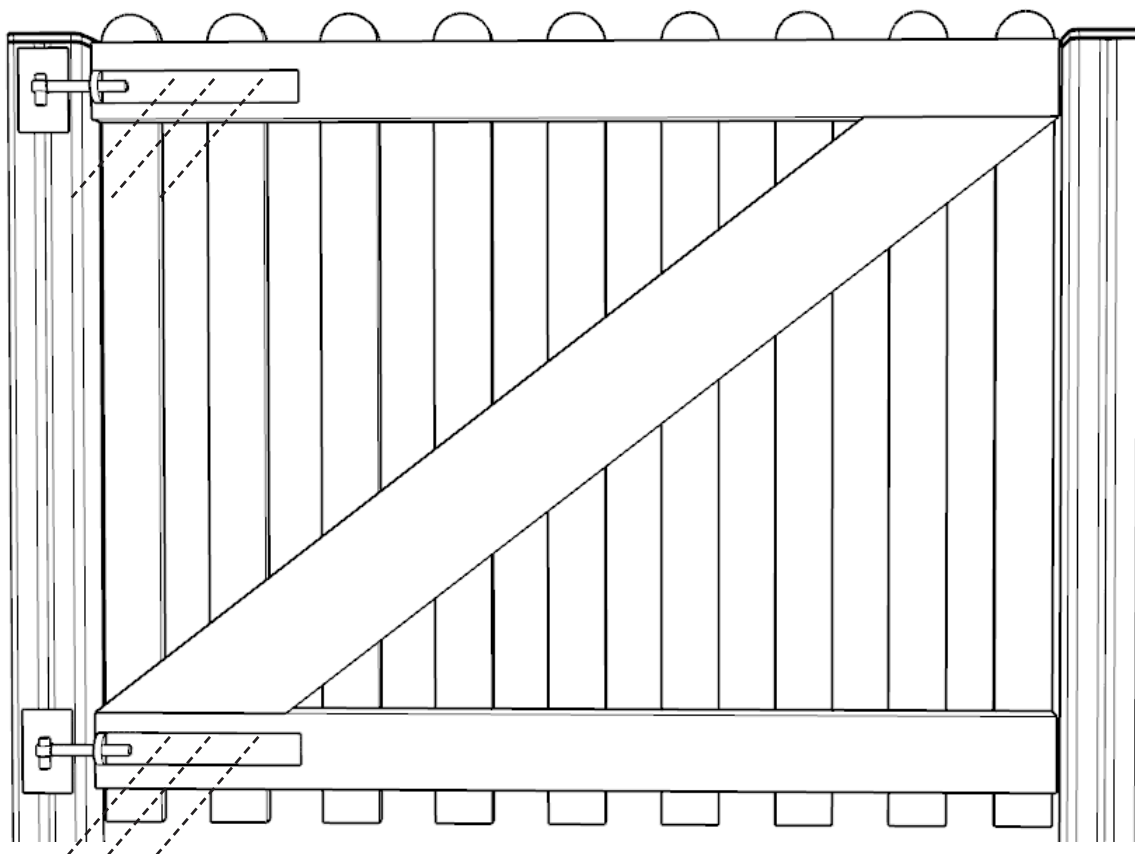
# INSTALLATION INSTRUCTIONS

---

## **1** INSTALL UPRIGHTS INTO THE GROUND



## **2** ATTACH GATE BRACKETS TO GATE USING - M8X80 [X8]

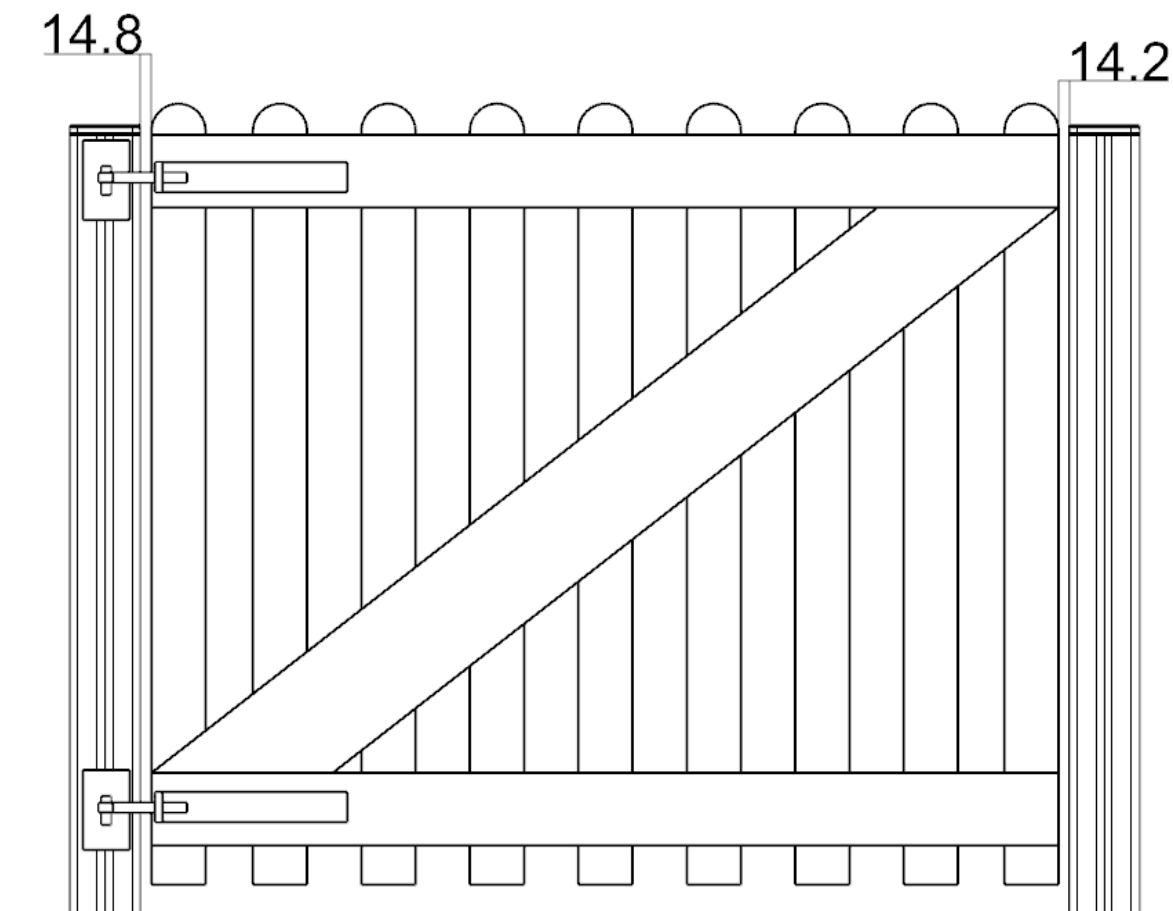


# INSTALLATION INSTRUCTIONS

**3**

**ATTACH BRACKETS TO UPRIGHTS, ENSURE GAP IS AS BELOW**

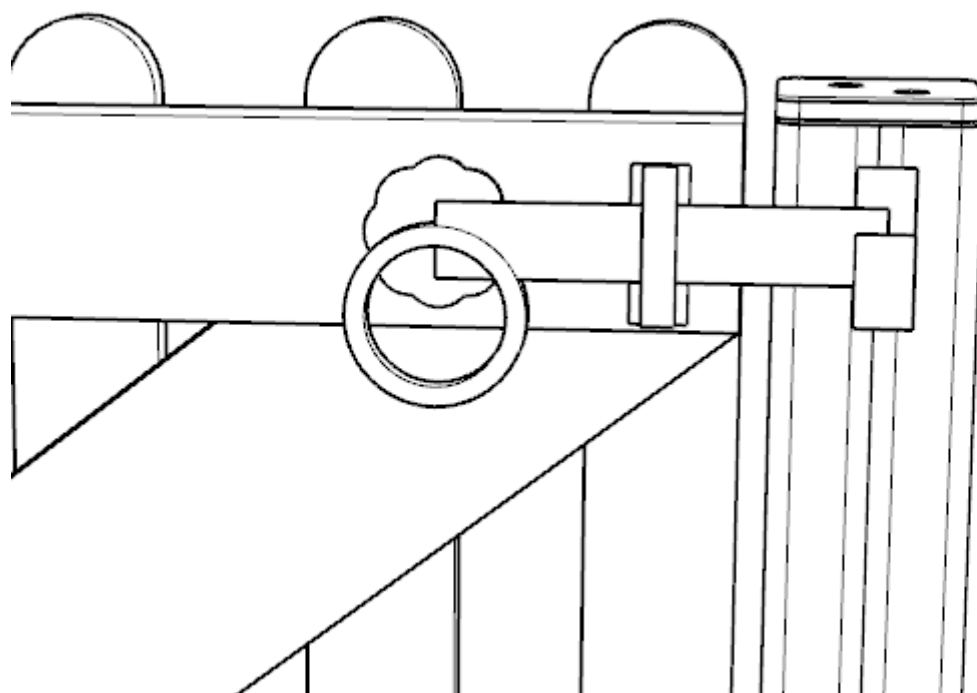
USING M8 X 60 WOOD SCREWS [X6] M6 X 40 WOOD SCREWS [X8] ADJUSTABLE HINGE SET [X2]



**4**

**ATTACH GATE CLOSURE TO GATE**

USING M6 X 40 WOOD SCREWS [X8] GATE LATCH SET [X1]



# ADDITIONAL DIMENSIONS

---

