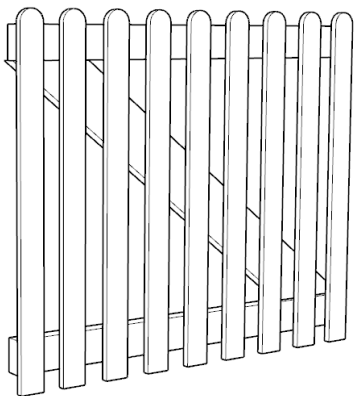
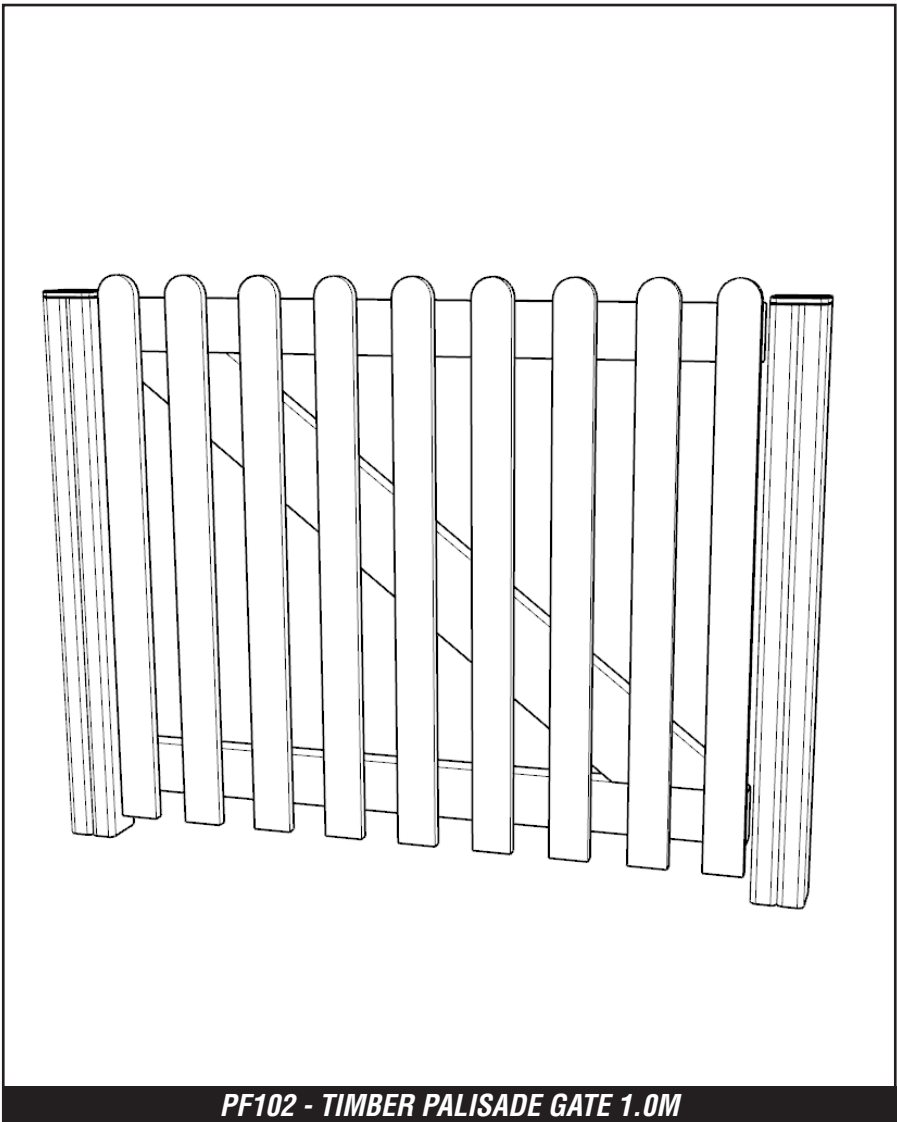


# PF102- TIMBER PALISADE GATE 1.0M

## Installation Instructions



x1

**PRE-ASSEMBLED GATE**



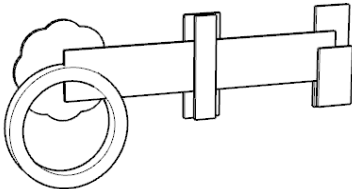
M8X80 x8  
M6X60 x6  
M6X40 x16

**CTS SCREWS**



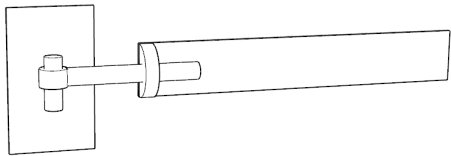
x2

**UPRIGHTS -PF102-B**



x1

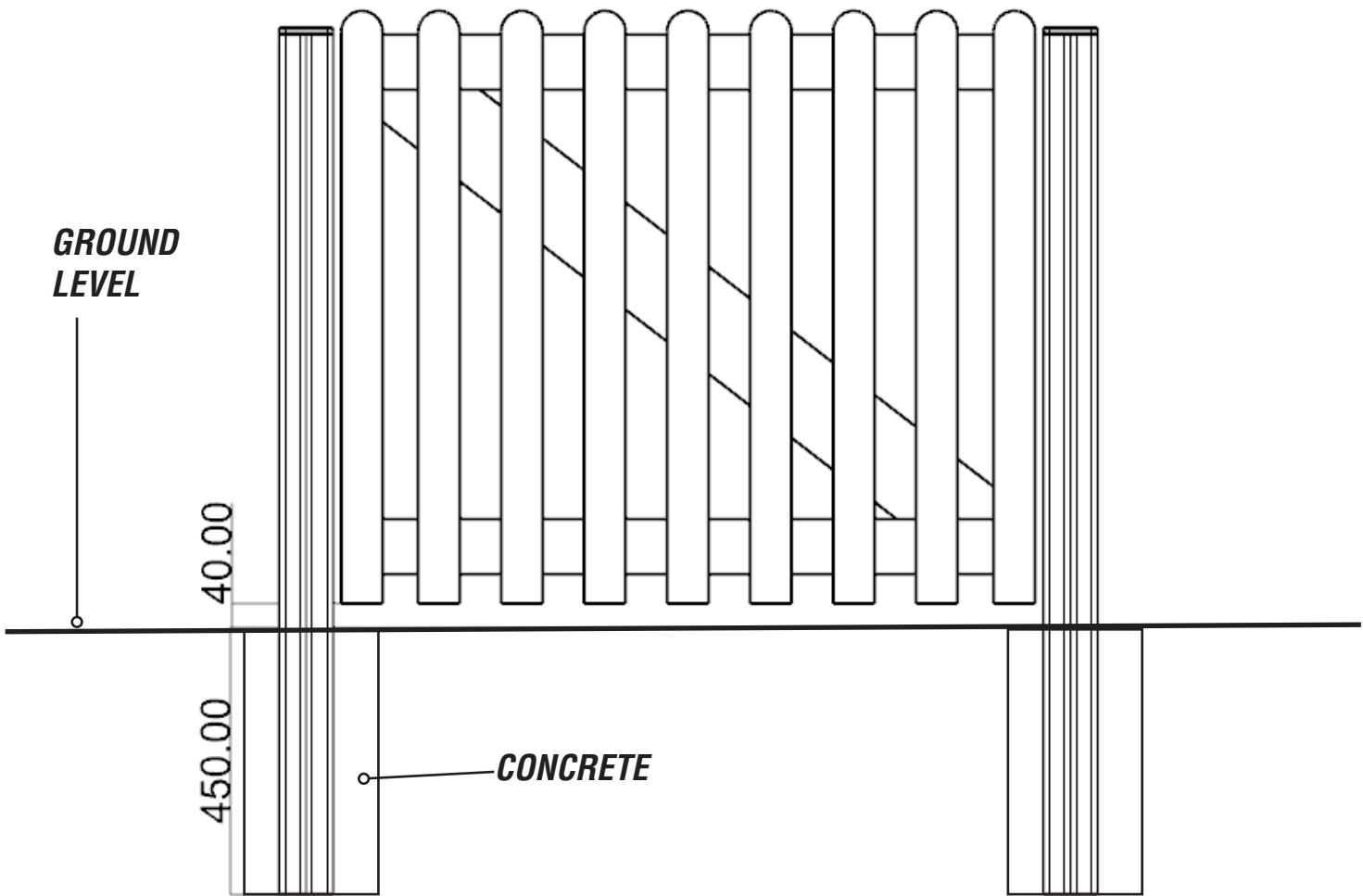
**GATE LATCH SET**



x2

**HINGES SET**

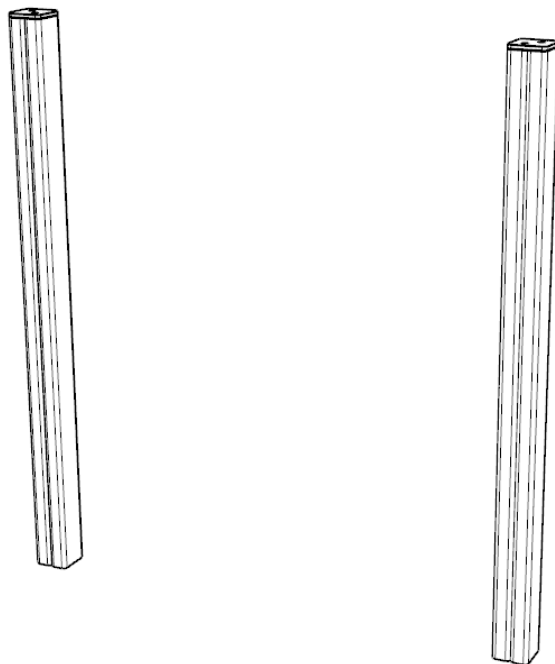
# FOUNDATION DETAILS



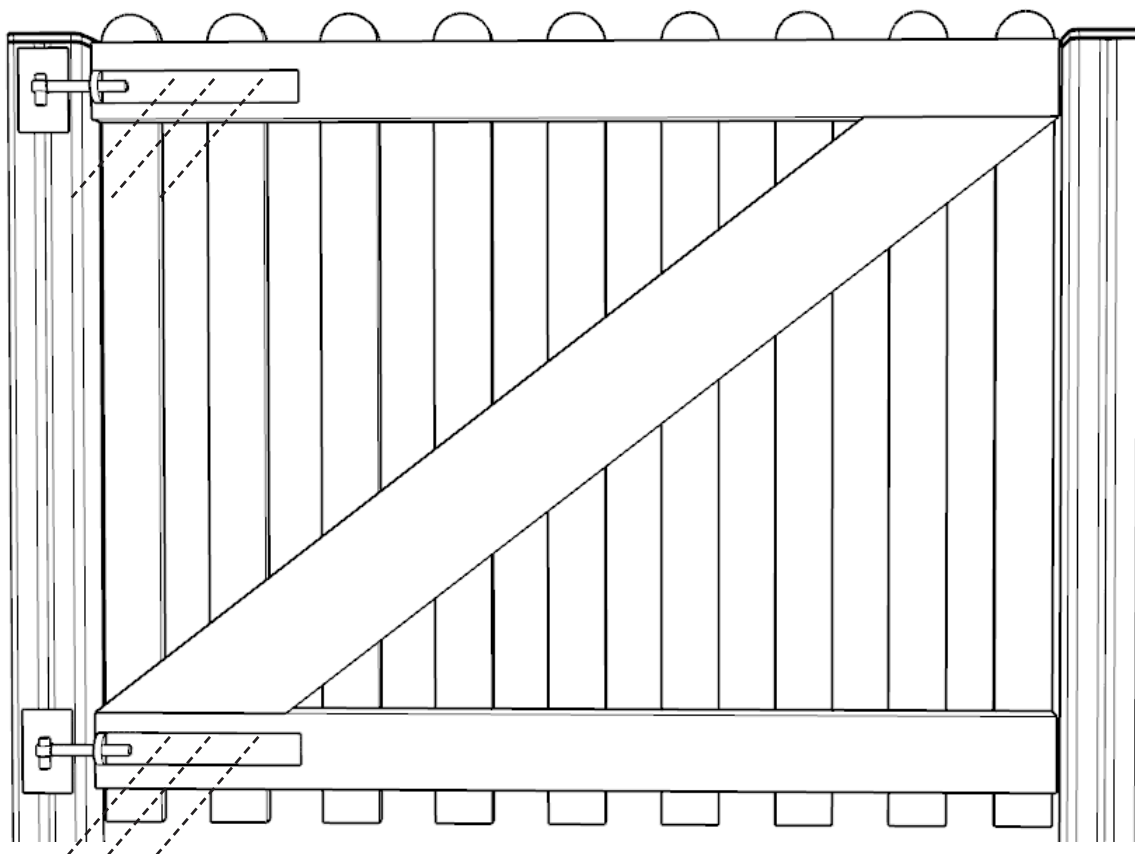
# INSTALLATION INSTRUCTIONS

---

## **1** INSTALL UPRIGHTS INTO THE GROUND



## **2** ATTACH GATE BRACKETS TO GATE USING - M8X80 [X8]

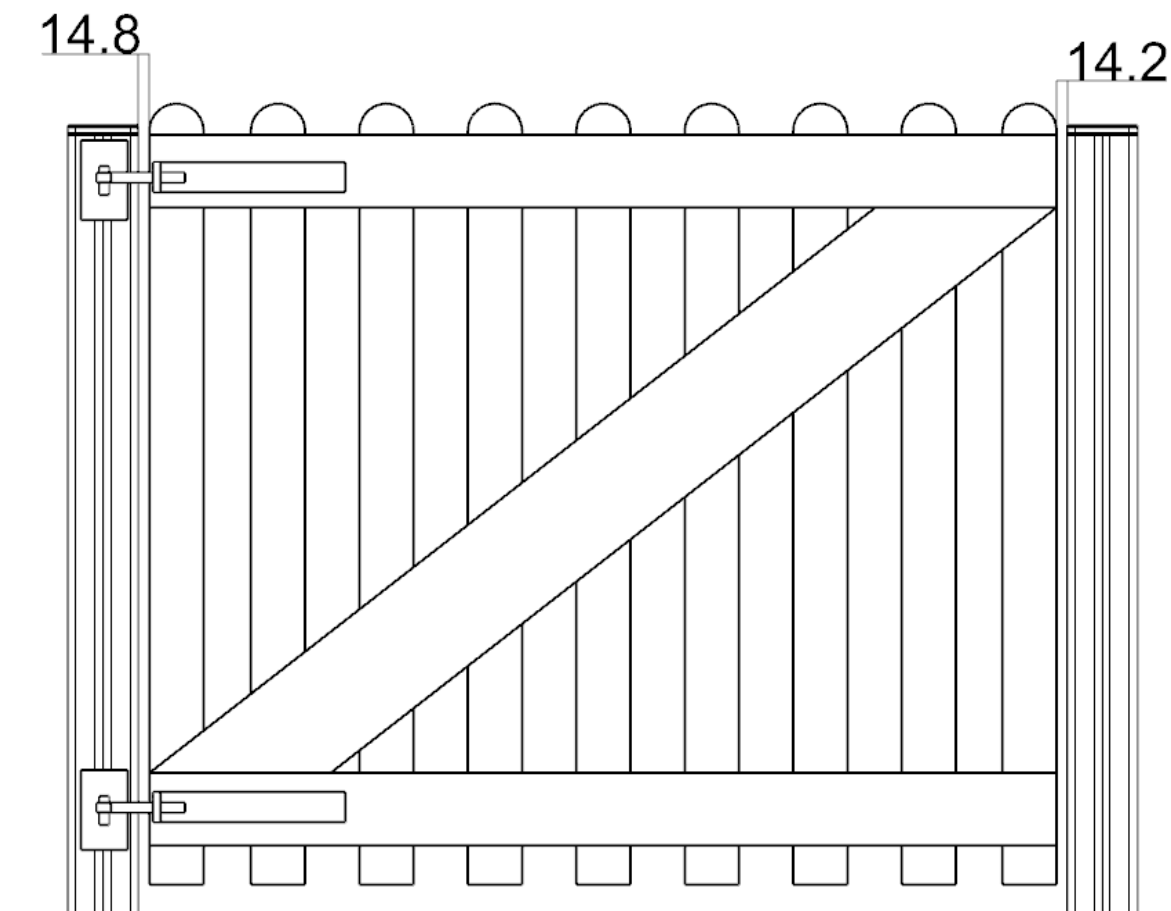


# INSTALLATION INSTRUCTIONS

**3**

**ATTACH BRACKETS TO UPRIGHTS, ENSURE GAP IS AS BELOW**

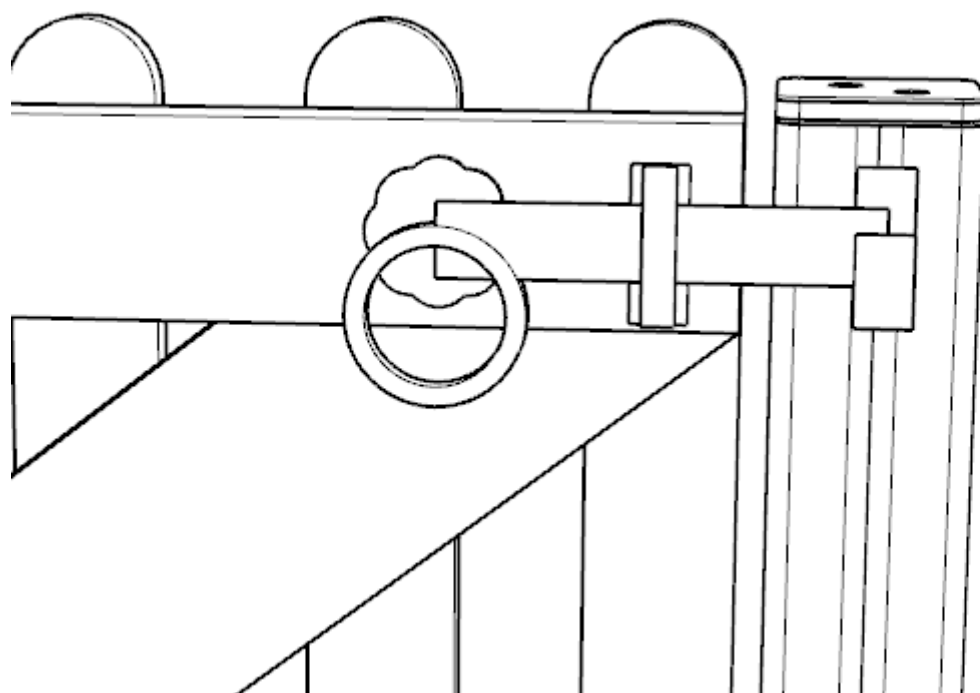
USING M8 X 60 WOOD SCREWS [X6] M6 X 40 WOOD SCREWS [X8] ADJUSTABLE HINGE SET [X2]



**4**

**ATTACH GATE CLOSURE TO GATE**

USING M6 X 40 WOOD SCREWS [X8] GATE LATCH SET [X1]



# ADDITIONAL DIMENSIONS

---

