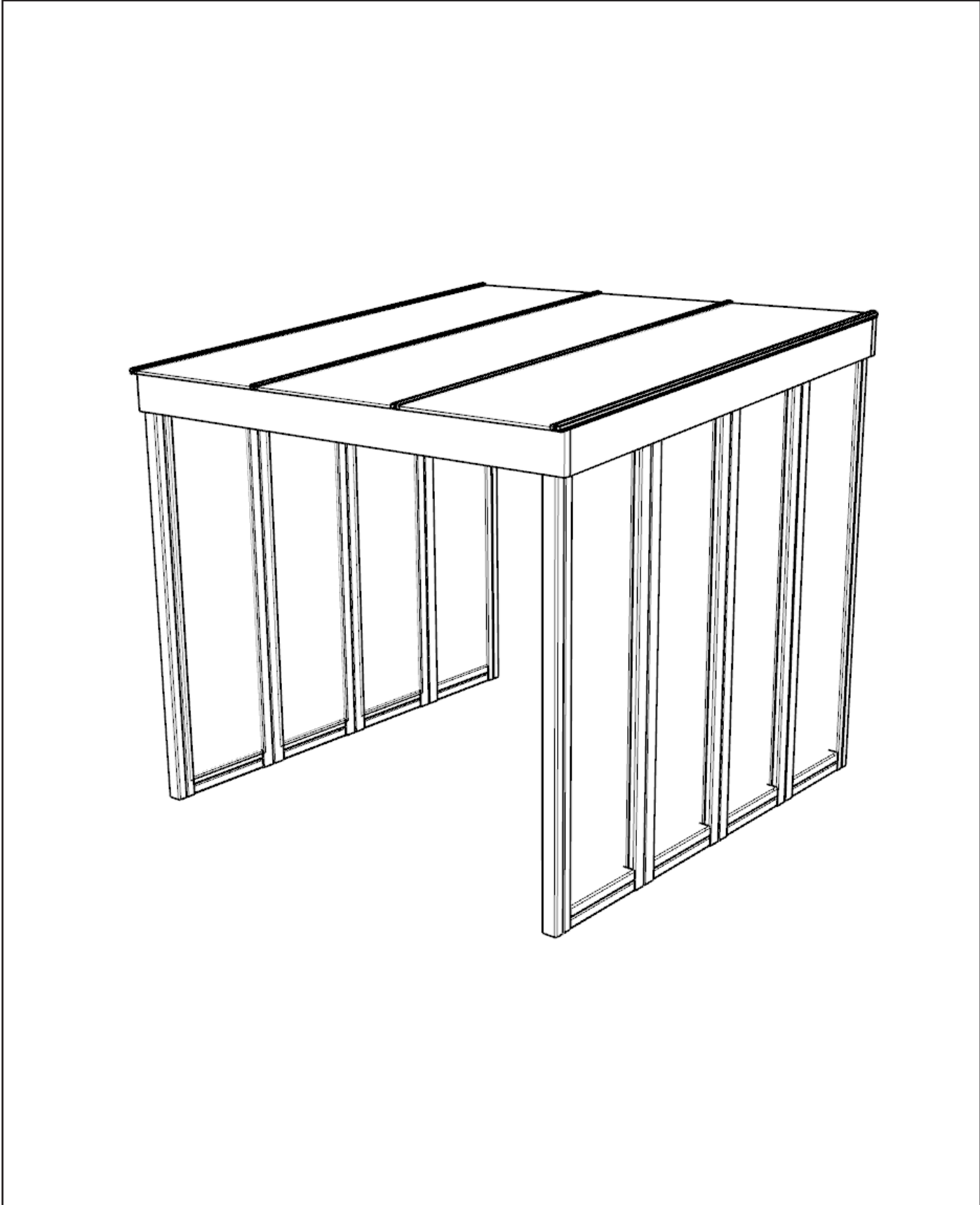
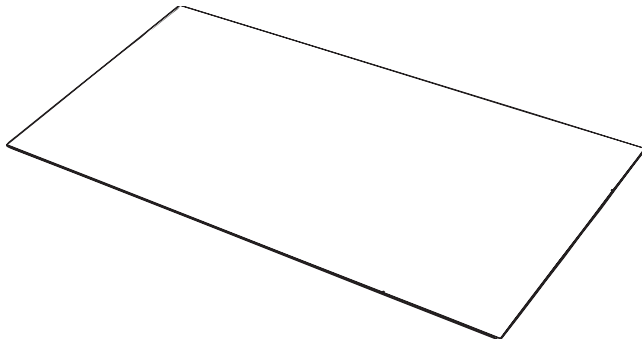


CA115 - CAMBRIDGE SENSORY TUNNEL

Installation Instructions

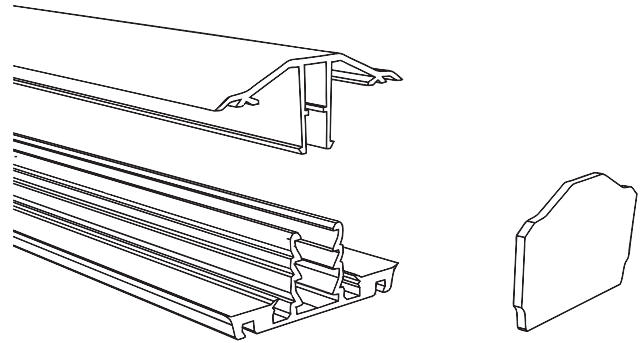


PARTS REQUIRED



x3

POLYCARB ROOF SHEET



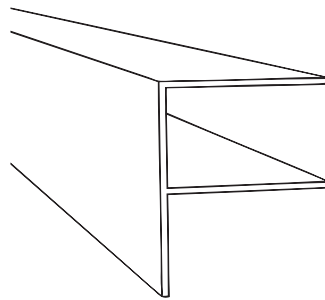
x4

GLAZING BAR -3000MM



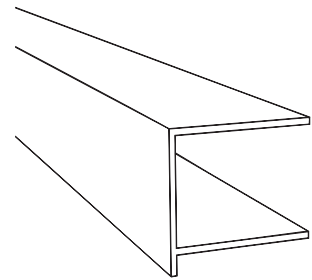
x4

POLYCARB SIDE PANELS



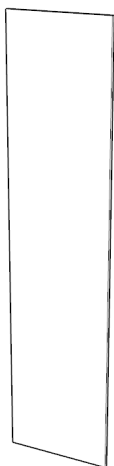
x2

WHITE F-SECTION - 3000MM



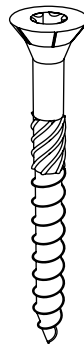
x6

WHITE SHEET CLOSURE - 2100MM



x4

GRASS SIDE PANELS



M8X180	X 40
M8X160	X25
M8X120	X50
M8X80	X102

CTS SCREWS

ADDITIONAL

TAPE - ALUMINIUM TAPE & ANTI DUST BREATGER TAPE FOR 16MM POLYCARB SHEETS. (SHEETS WHICH ARE CUT TO SIZE SHOULD HAVE TAPE ATTACHED AS STANDARD)

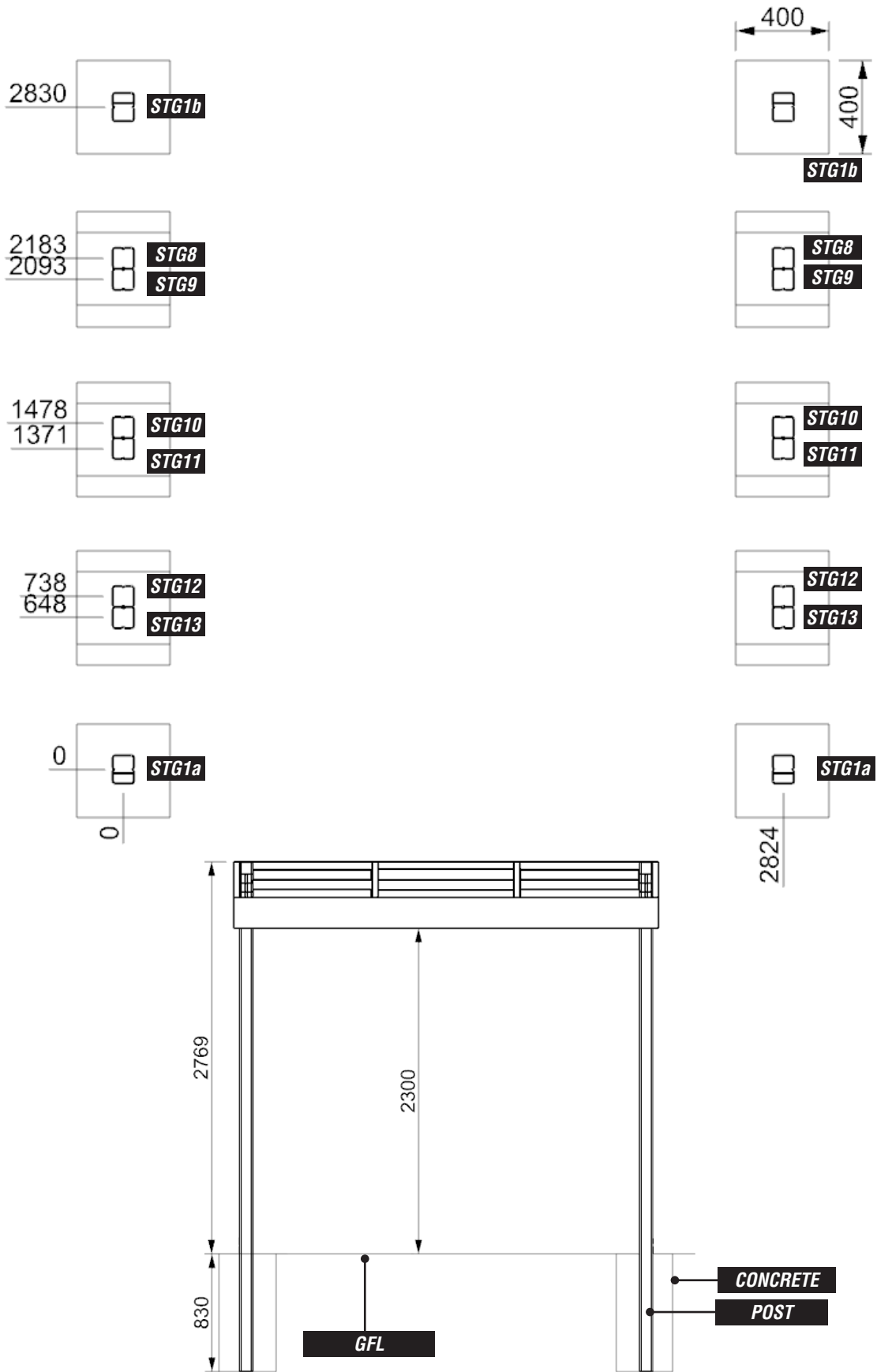
CLEAR SILICONE

ROOFING BUTTONS X 40

TIMBERS REQUIRED

<i>CODE</i>	<i>TYPE</i>	<i>SIZE</i>	<i>QTY</i>
<i>STG1a</i>	<i>120x90</i>	<i>3348</i>	<i>2</i>
<i>STG1b</i>	<i>120x90</i>	<i>3600</i>	<i>3</i>
<i>STG2</i>	<i>218x43</i>	<i>3000</i>	<i>2</i>
<i>STG3</i>	<i>218x43</i>	<i>2895</i>	<i>3</i>
<i>STG4</i>	<i>173x43</i>	<i>2890</i>	<i>3</i>
<i>STG5a</i>	<i>218x43</i>	<i>845</i>	<i>3</i>
<i>STG5b</i>	<i>218x43</i>	<i>956</i>	<i>6</i>
<i>STG6</i>	<i>43x43</i>	<i>2730</i>	<i>2</i>
<i>STG7</i>	<i>90x90</i>	<i>541</i>	<i>8</i>
<i>STG8</i>	<i>90x90</i>	<i>3512</i>	<i>2</i>
<i>STG9</i>	<i>90x90</i>	<i>3512</i>	<i>2</i>
<i>STG10</i>	<i>90x90</i>	<i>3449</i>	<i>2</i>
<i>STG11</i>	<i>120x90</i>	<i>3449</i>	<i>2</i>
<i>STG12</i>	<i>90x90</i>	<i>3385</i>	<i>2</i>
<i>STG13</i>	<i>90x90</i>	<i>3385</i>	<i>2</i>
<i>STG14</i>	<i>120x90</i>	<i>541</i>	<i>8</i>

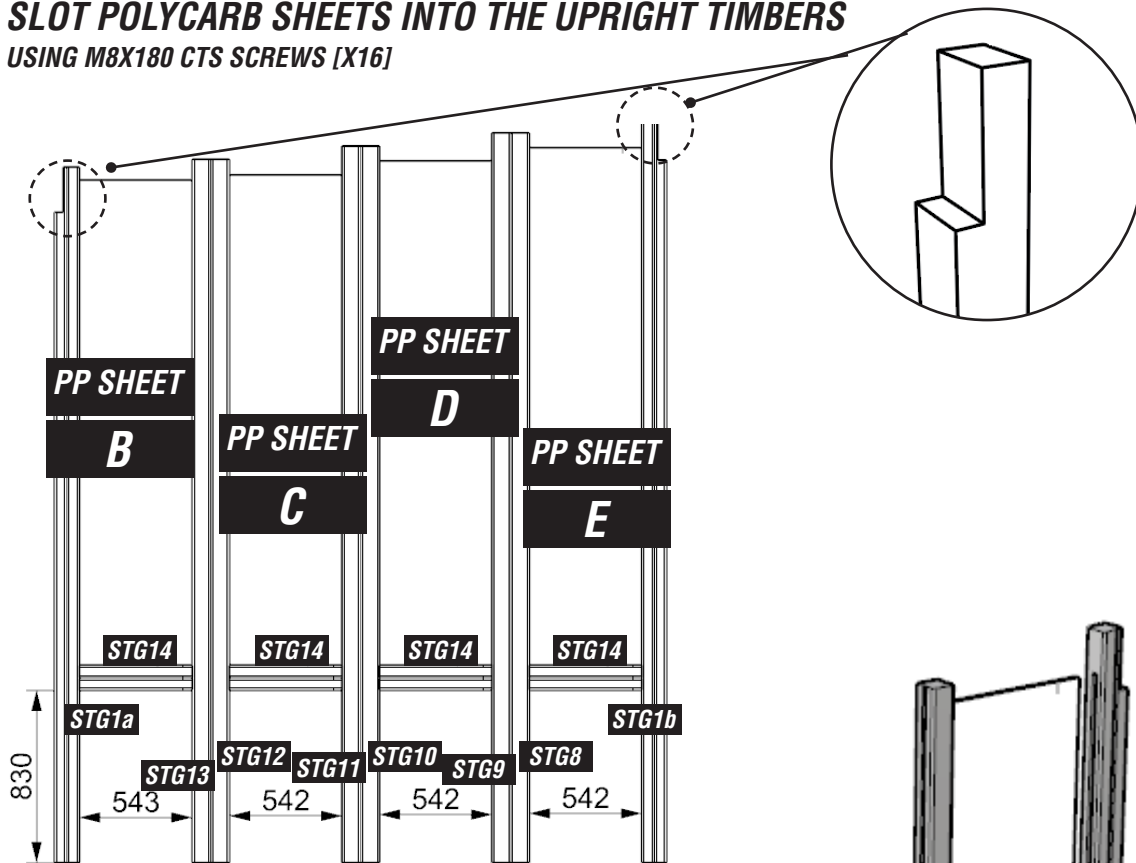
FOUNDATION DETAILS



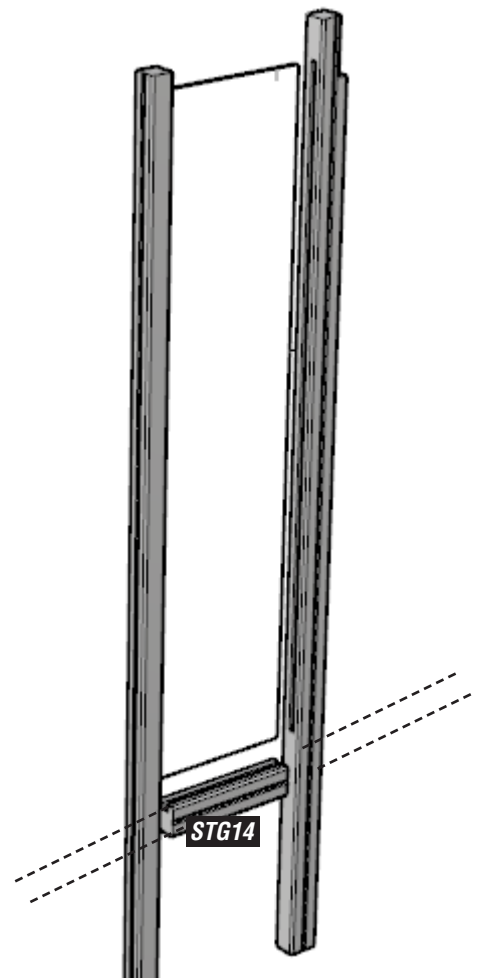
NOTE: MUST HAVE 830 IN THE GROUND

INSTALLATION INSTRUCTIONS

1 SLOT POLYCARB SHEETS INTO THE UPRIGHT TIMBERS USING M8X180 CTS SCREWS [X16]



**SCREW ON SUPPORT TIMBER 830MM FROM THE
BASE AS SHOWN ABOVE MAKING SURE IT SLOTS
INTO POLYCARB**

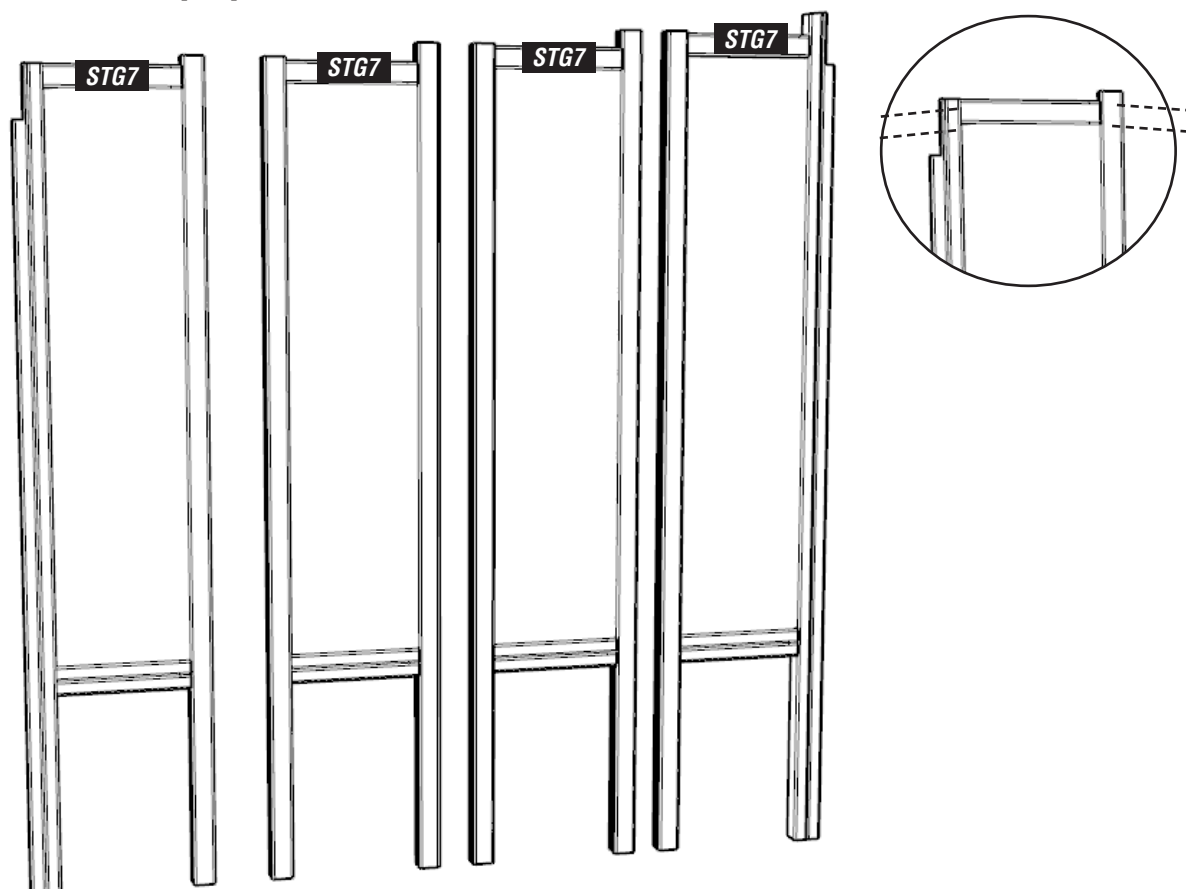


INSTALLATION INSTRUCTIONS

2

SCREW STG7 TIMBERS TO TOP OF FRAME

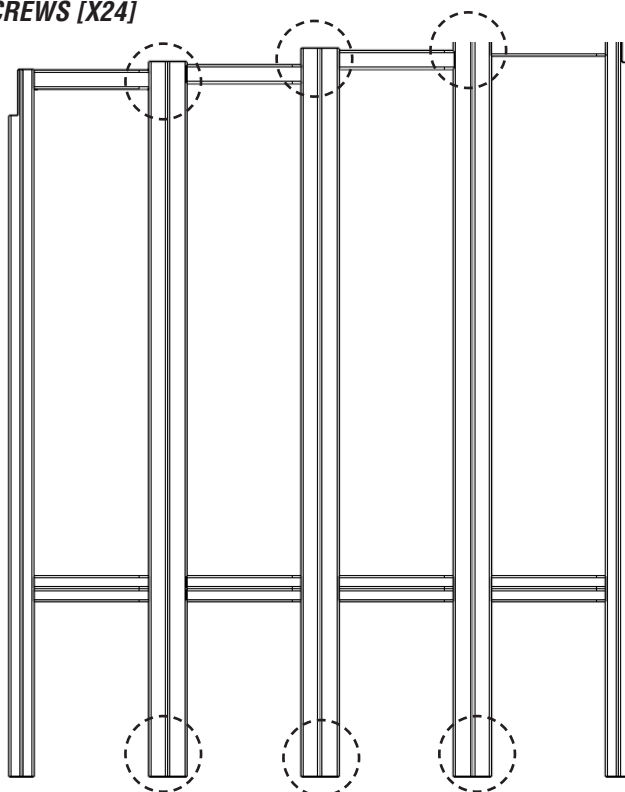
USING M8X160 CTS SCREWS [X12]



3

SCREW UPRIGHT TIMBERS TOGETHER AS SHOWN

USING M8X120 CTS SCREWS [X24]

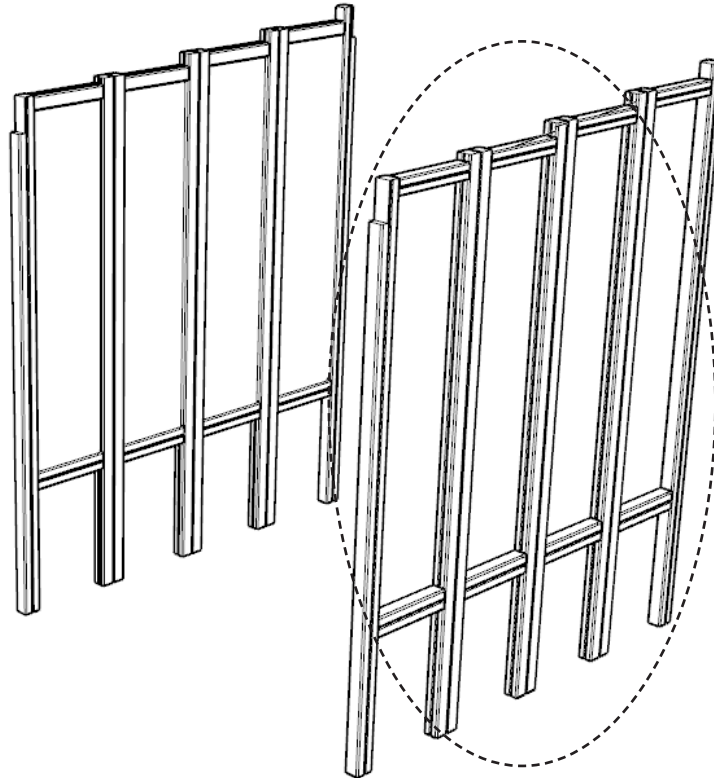


INSTALLATION INSTRUCTIONS

4

REPEAT STEPS 1-3 ABOVE FOR OPPOSITE SIDE PANNEL

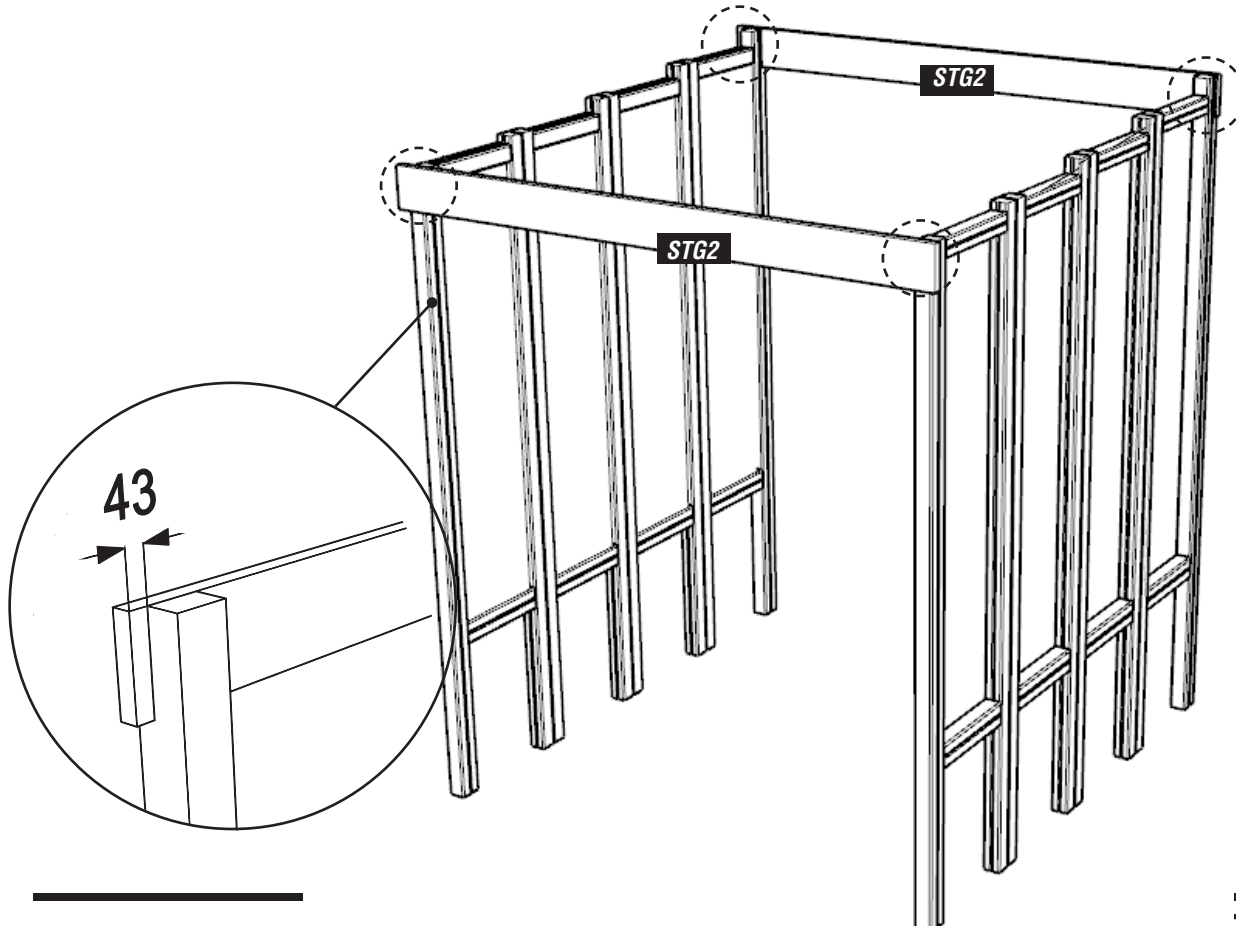
USING M8X180 CTS SCREWS [X16] USING M8X160 CTS SCREWS [X12] USING M8X120 CTS SCREWS [X24]



5

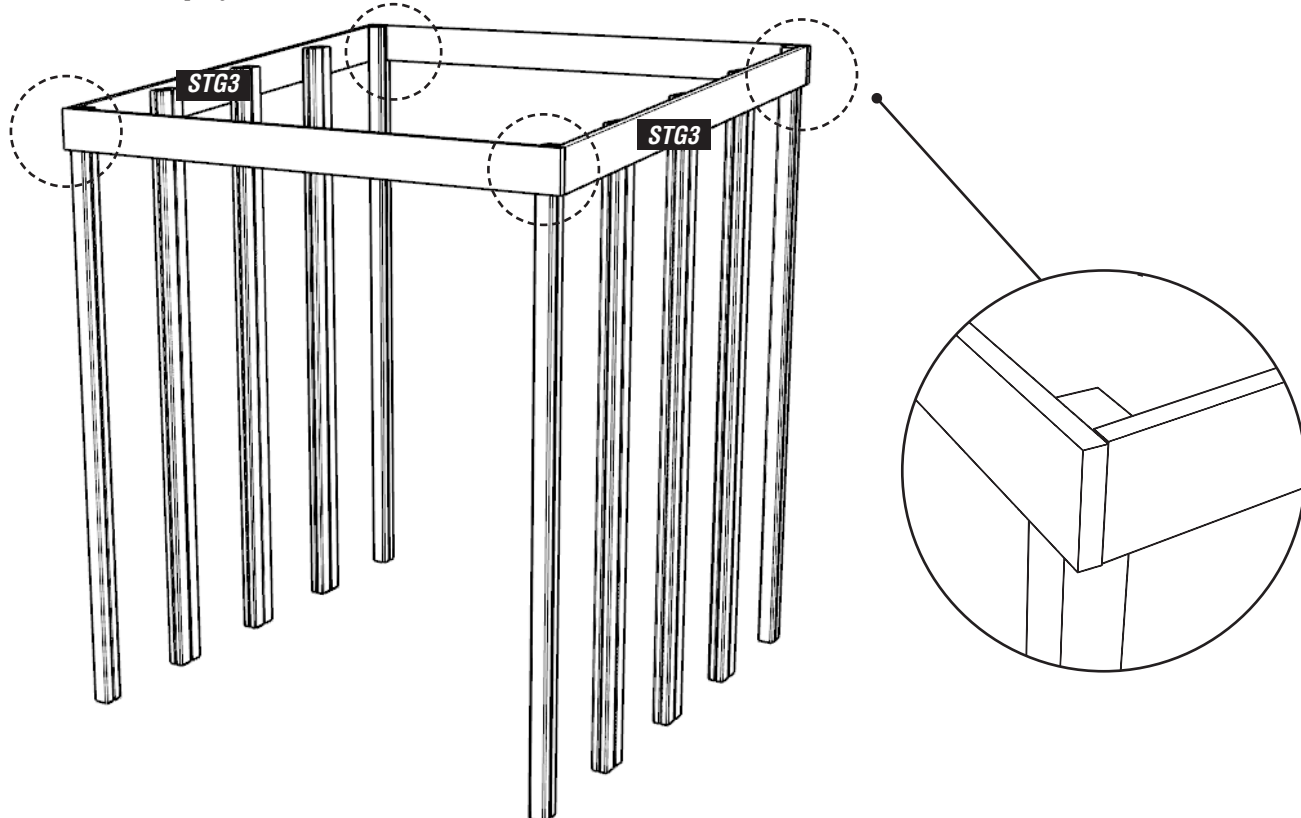
ATTACH STG2 FLUSH TO UPRIGHT TIMBERS. ENSURE TIMBER HAS 43MM OVERHANG ON EITHER

USING M8X80 [X8] WOOD SCREWS

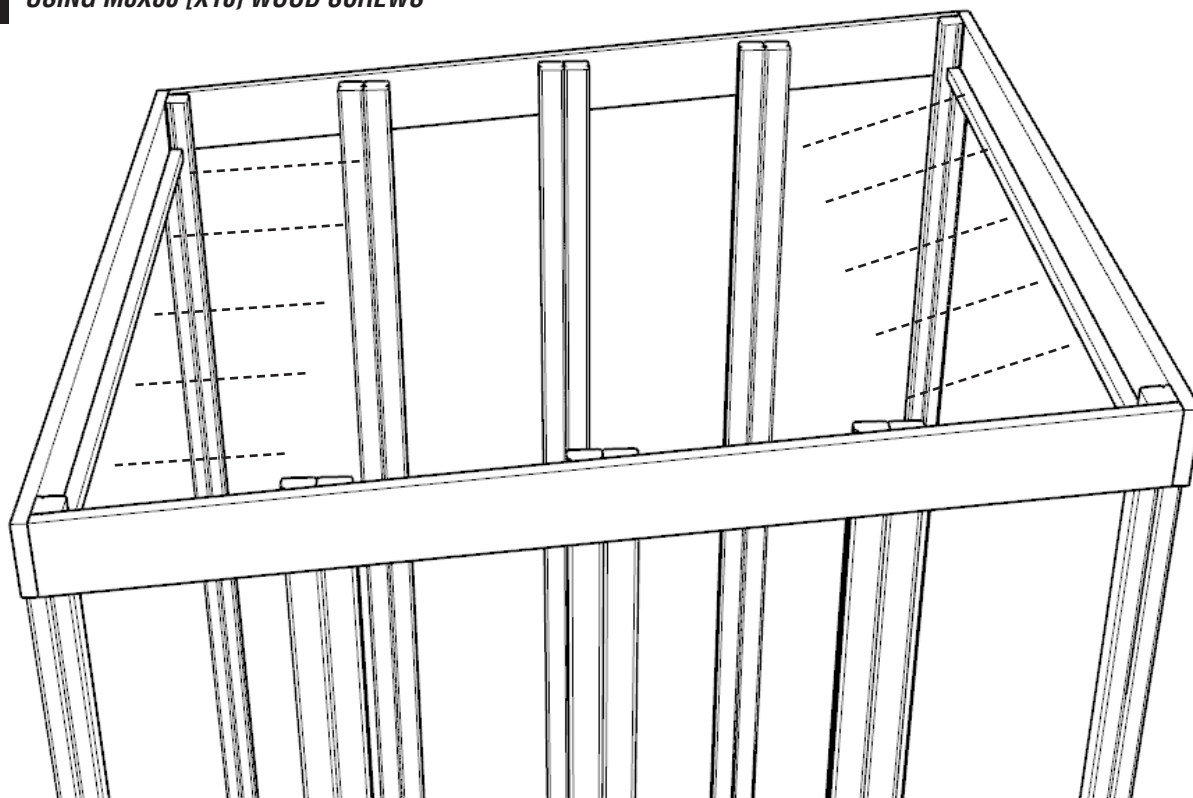


INSTALLATION INSTRUCTIONS

6 ATTACH STG2 TO UPRIGHT TIMBERS. USING M8X80 [X8] WOOD SCREWS



7 ATTACH STG6 [X2] TO THE BOTTOM OF STG2 TIMBERS. USING M8X80 [X10] WOOD SCREWS



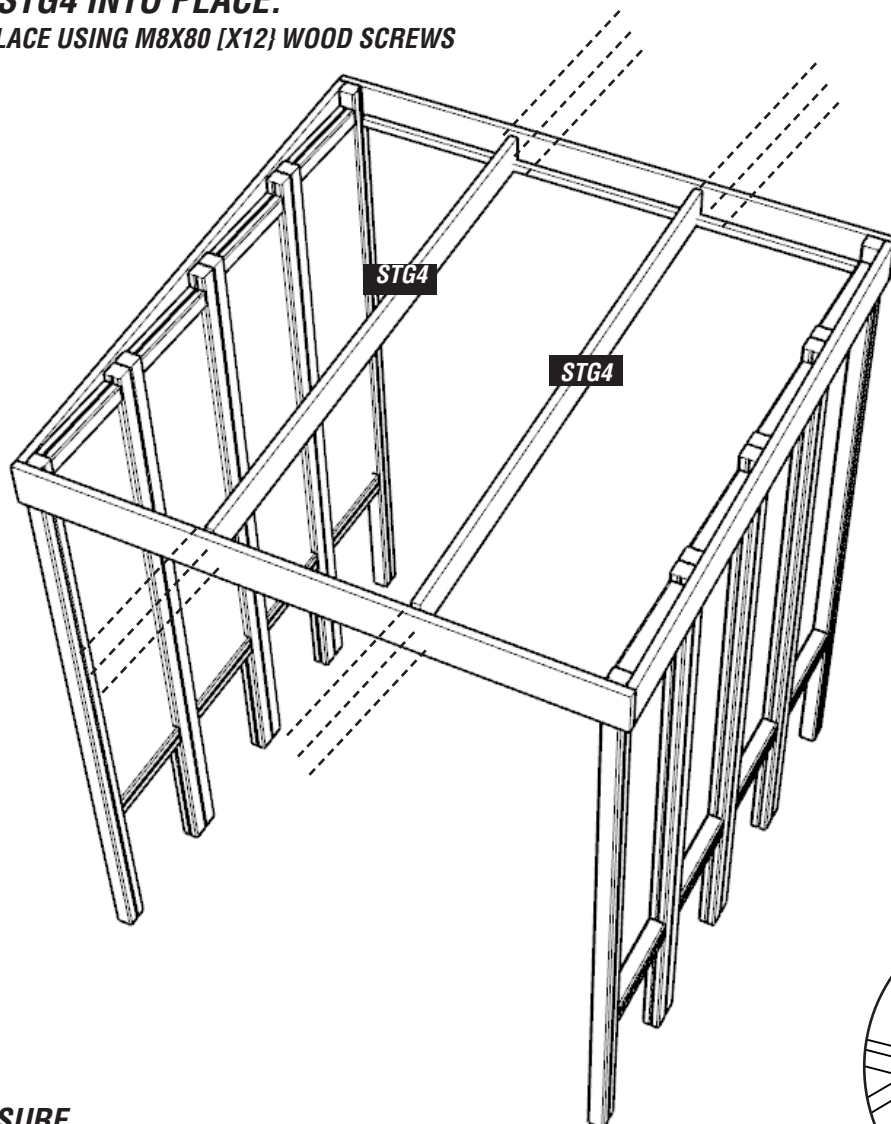
NOTE: THESE ARE USED IN PLACE OF JOIST HANGERS. ENSURE TIMBER EDGES ARE FLUSH.

INSTALLATION INSTRUCTIONS

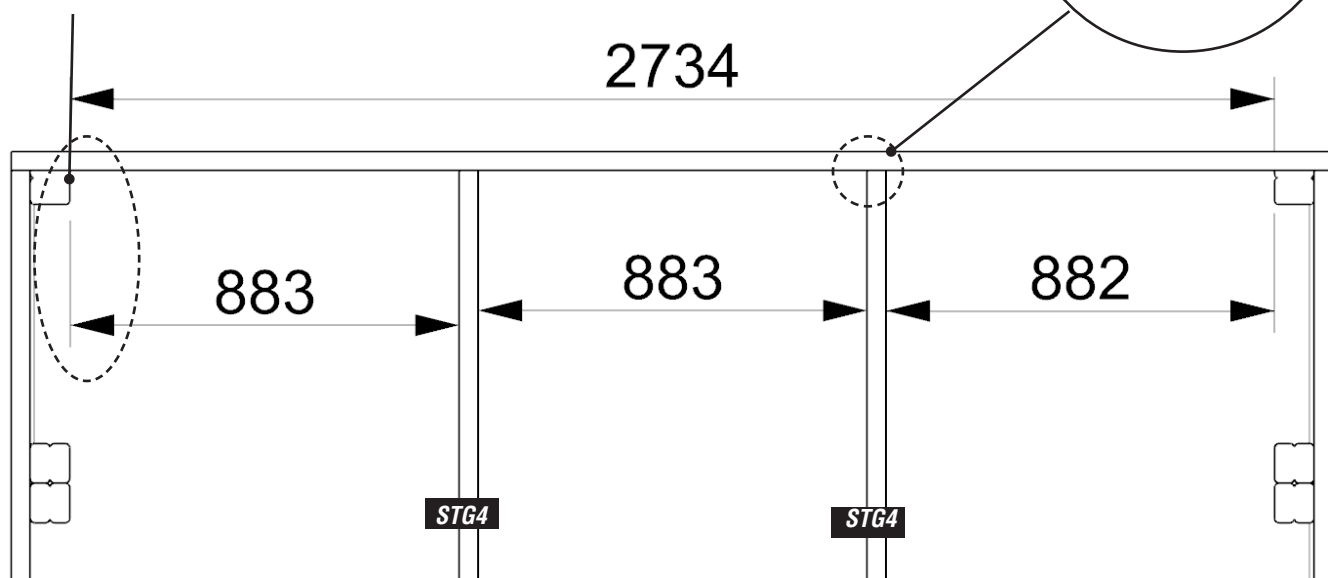
8

SLOT STG4 INTO PLACE.

FIX IN PLACE USING M8X80 [X12] WOOD SCREWS

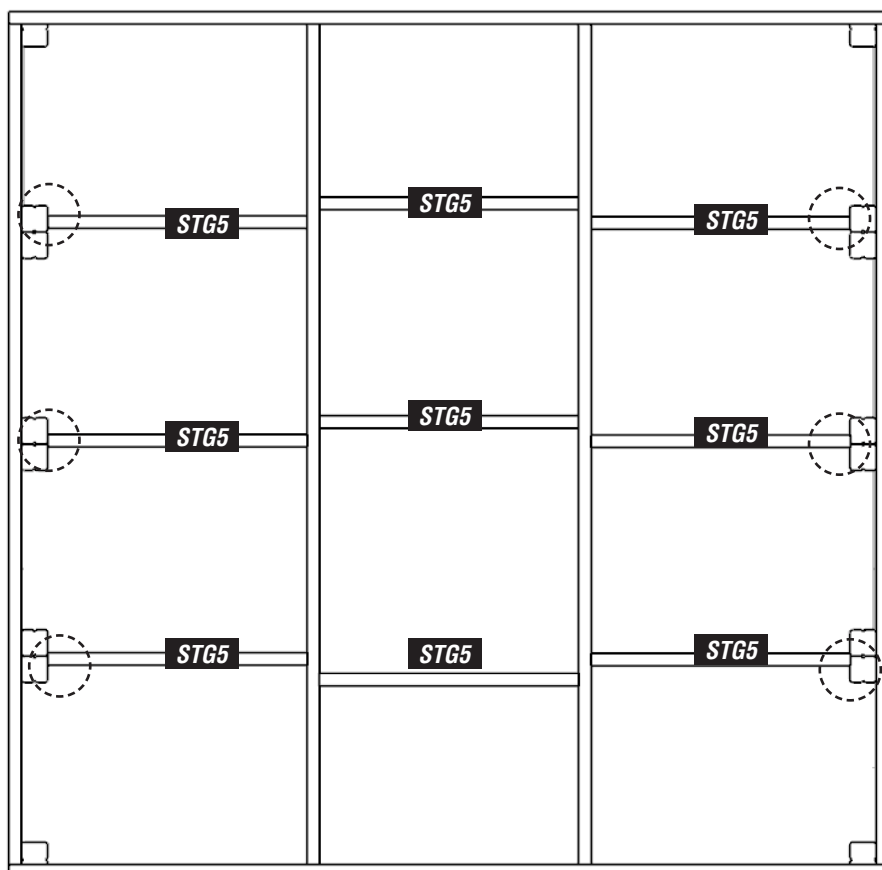
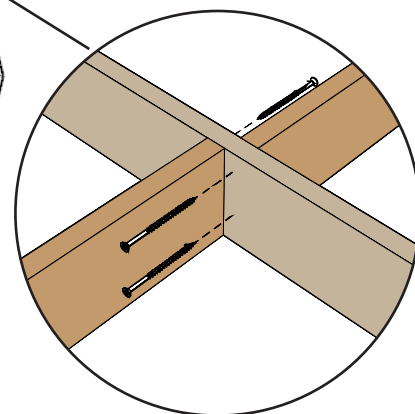
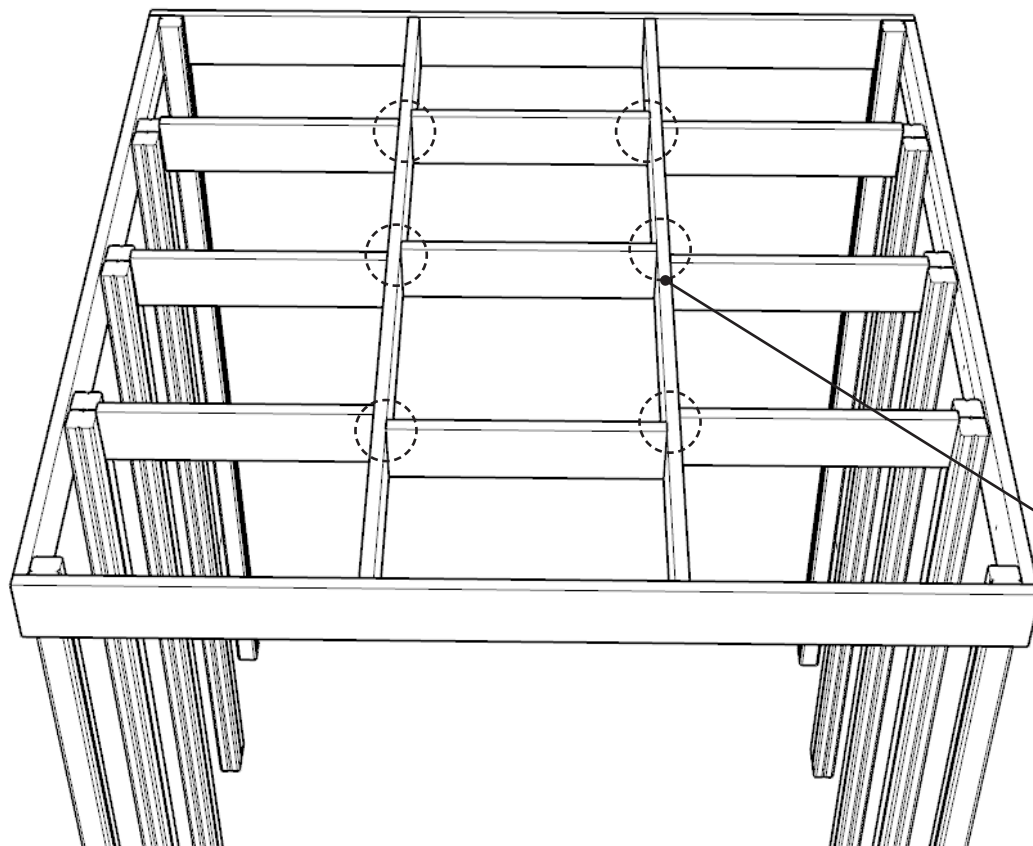


NOTE: MEASURE FROM TIMBER EDGE



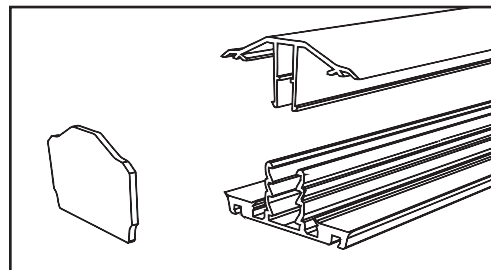
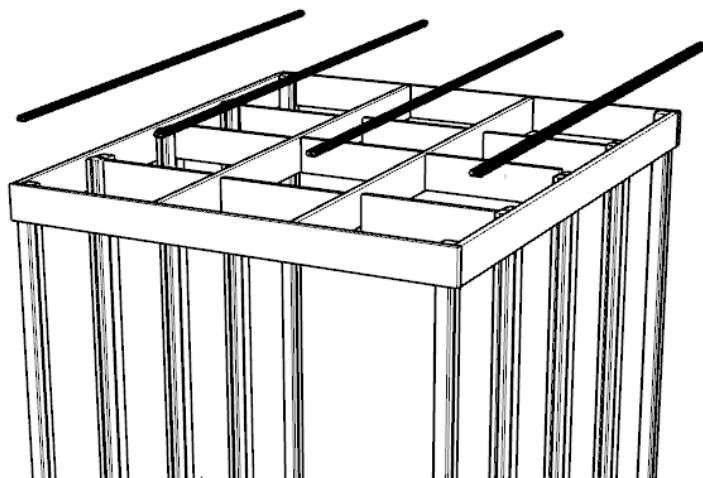
INSTALLATION INSTRUCTIONS

9 ATTACH STG5 TO STG4 TIMBERS AS BELOW.
FIX IN PLACE USING M8X80 [X24] WOOD SCREWS

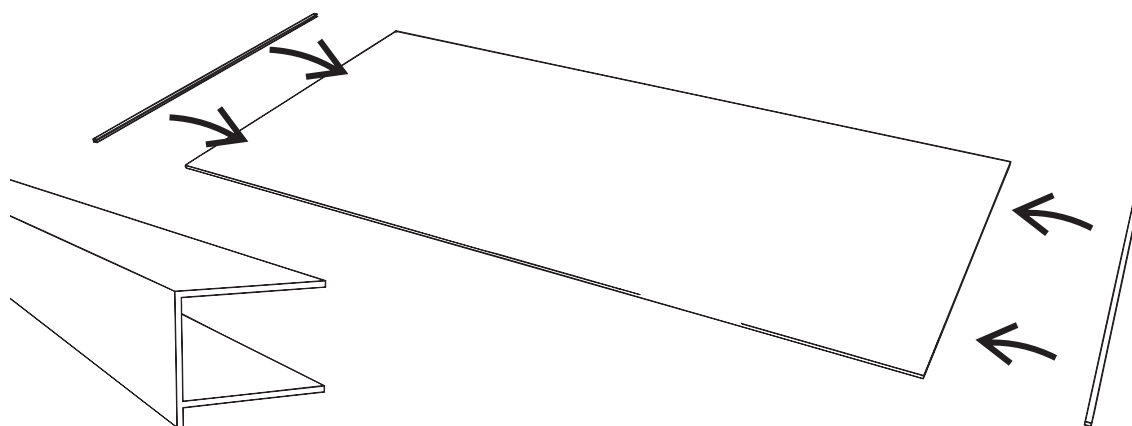


INSTALLATION INSTRUCTIONS

10 ATTACH GLAZING BARS TO STG4 TIMBERS x4.
FIX IN PLACE USING M8X80 (X40) WOOD SCREWS

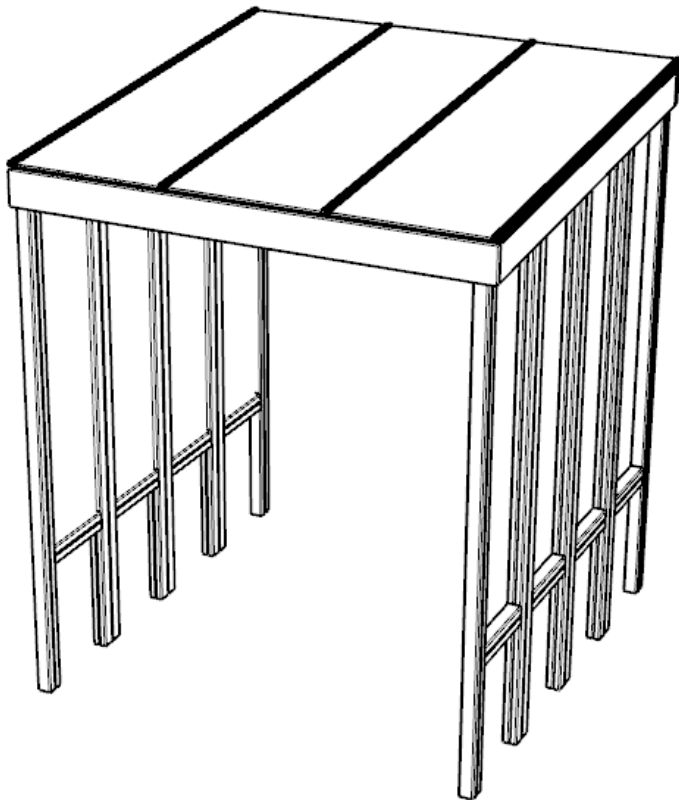


11 ATTACH THE SHEET CLOSURE TO THE SHORT EDGE OF EACH POLYCARBONATE SHEET (NOT F SECTION). CLOSURE WILL NEED TO BE TRIMMED DOWN TO SUIT SHEET WIDTHS.



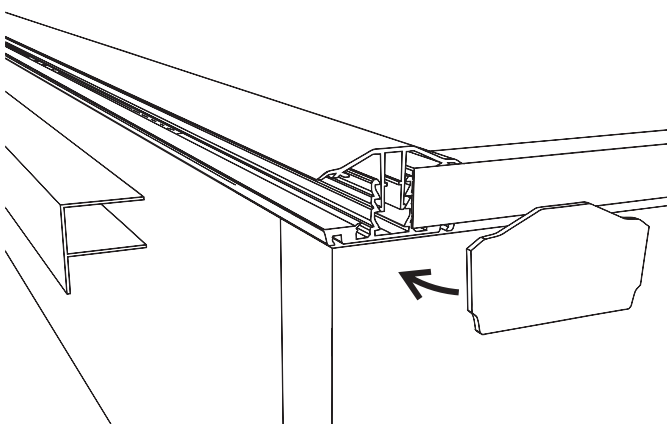
INSTALLATION INSTRUCTIONS

12 ATTACH 16MM POLYCARBONATE SHEETS.

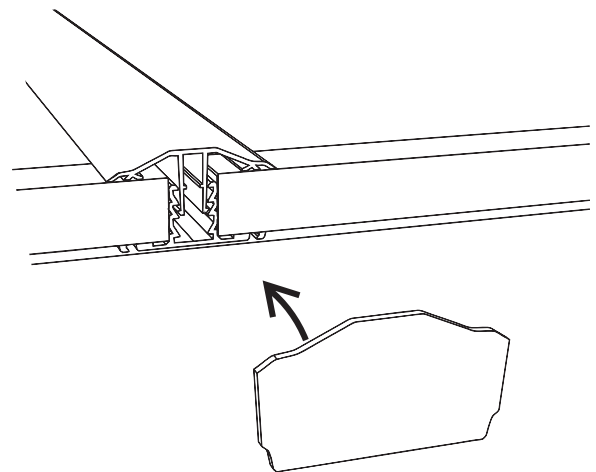


NOTE: ENSURE THE PRINTED FLOWER PATTERN WRAP SIDE IS UNDER THE ROOF, NOT ON THE TOP OF THE ROOF

Fig. 1



In the vacant space of the RIGHT Glazing Bar – fit the supplied “F” Section in place



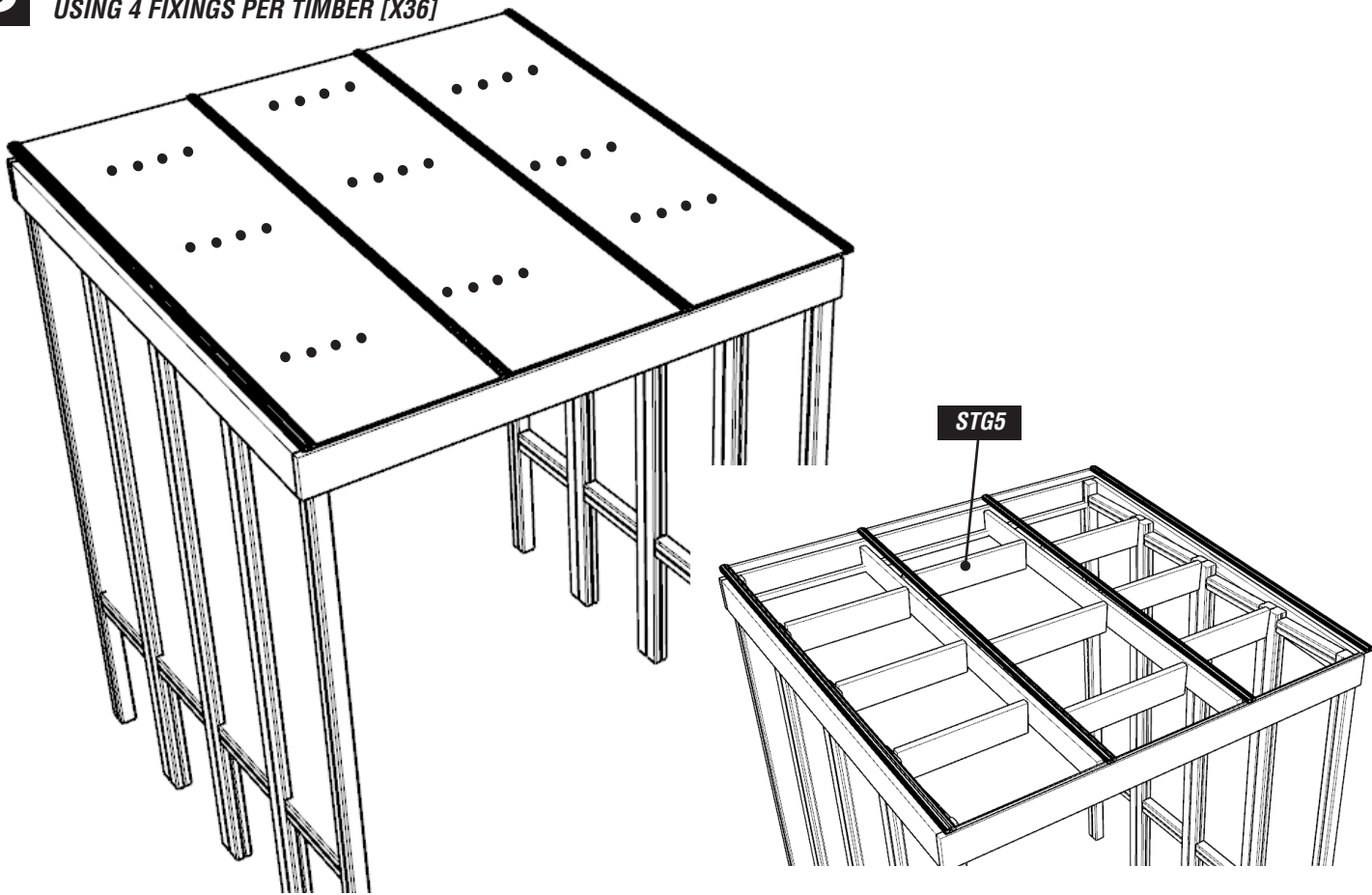
All 'INNER' glazing bars will have a polycarbonate sheet EACH SIDE

Fig. 2

INSTALLATION INSTRUCTIONS

13

ATTACH WHITE FIXING BUTTONS THROUGH POLYCARB INTO STG5 TIMBERS.
USING 4 FIXINGS PER TIMBER [X36]



ADDITIONAL DIMENSIONS

