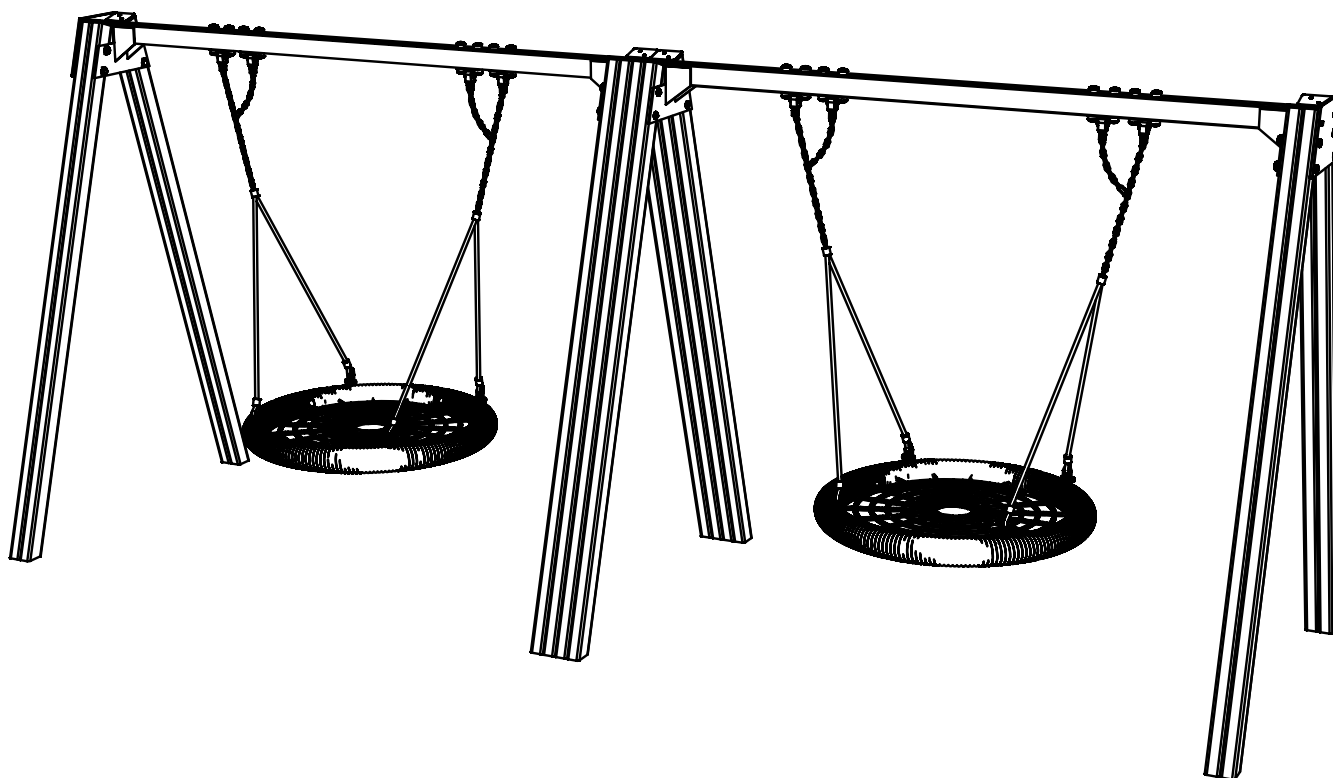


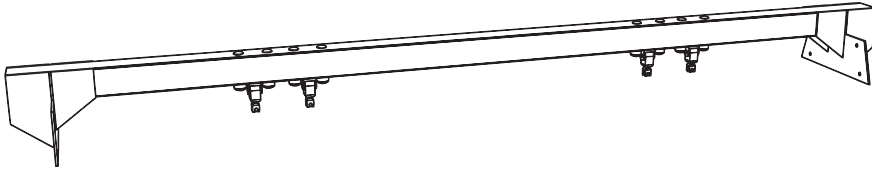
S120 - DOUBLE BASKET SWING

Installation Instructions

**creative
play**

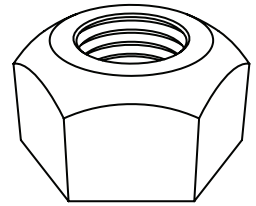


PARTS REQUIRED



X2

BASKET SUPPORT BEAM



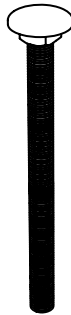
X12

M12 NYLOCS



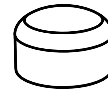
X4

M8X80 WOODSCREWS



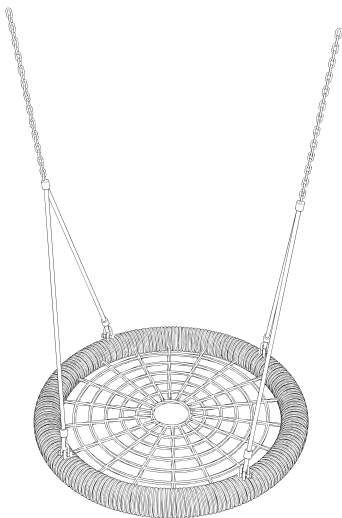
X8

M12X160 BOLT



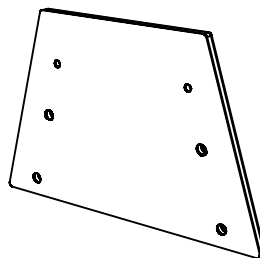
X12

M12 END CAP



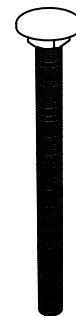
X2

BASKET SEAT INC CHAINS



X2

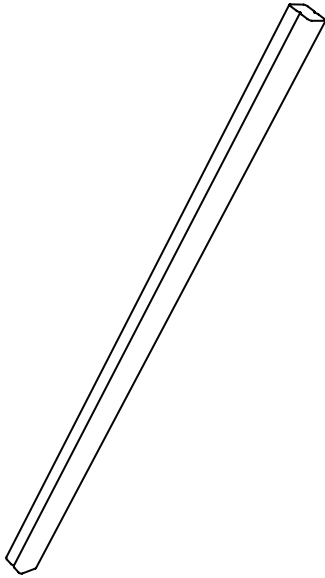
PLAYTEC COVER



X4

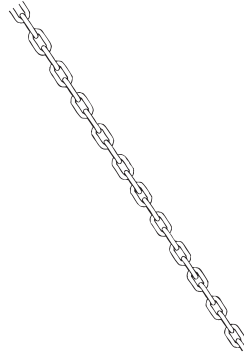
M12X260 BOLT

PARTS REQUIRED



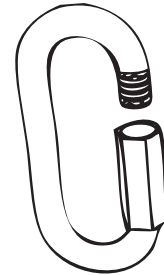
X8

S1 TIMBERS



X4

300MM CHAIN



X4

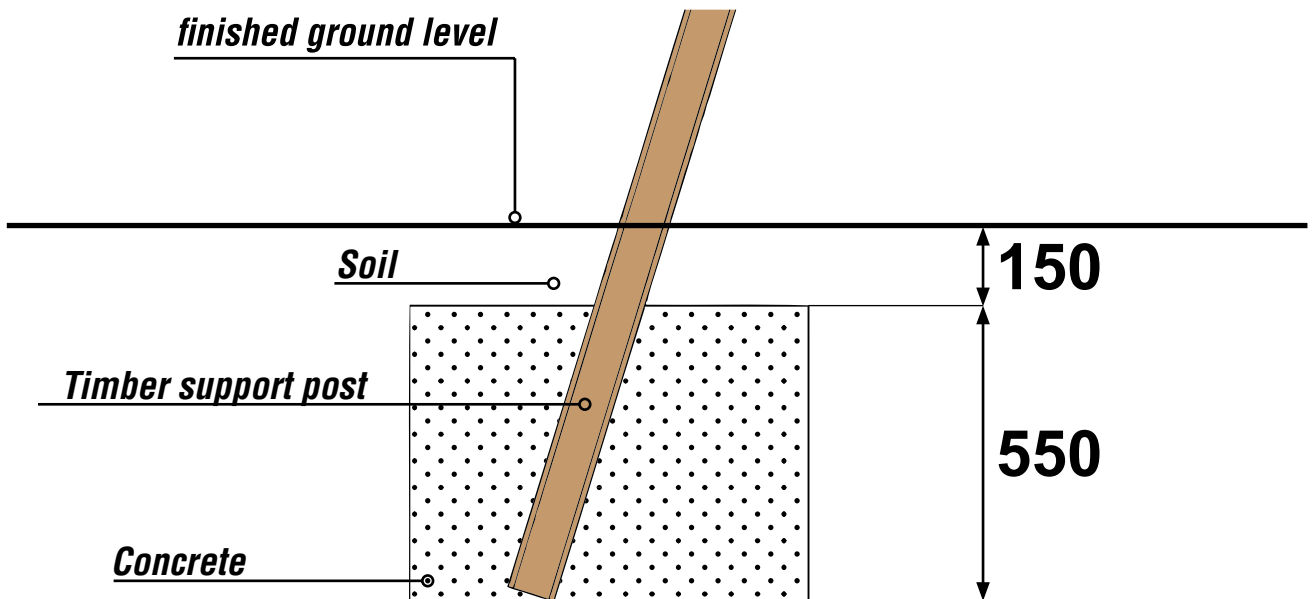
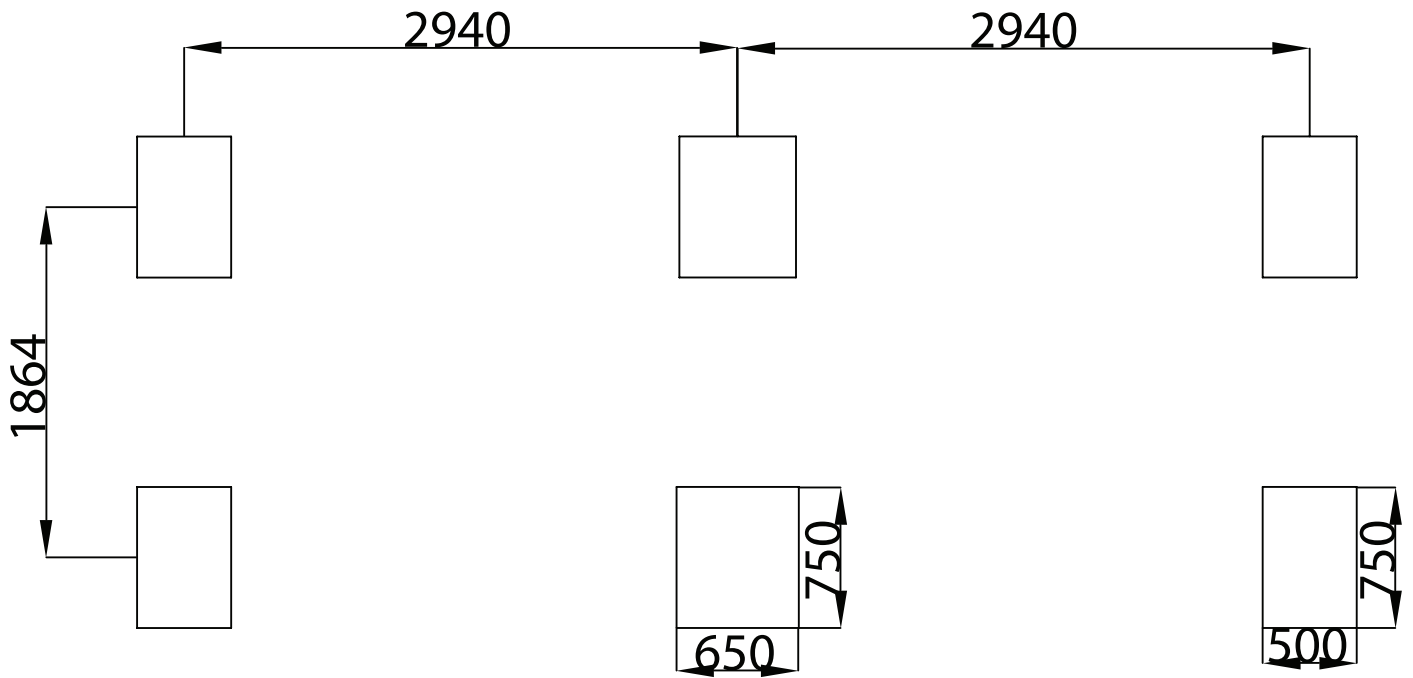
QUICKLINK



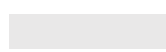


X16

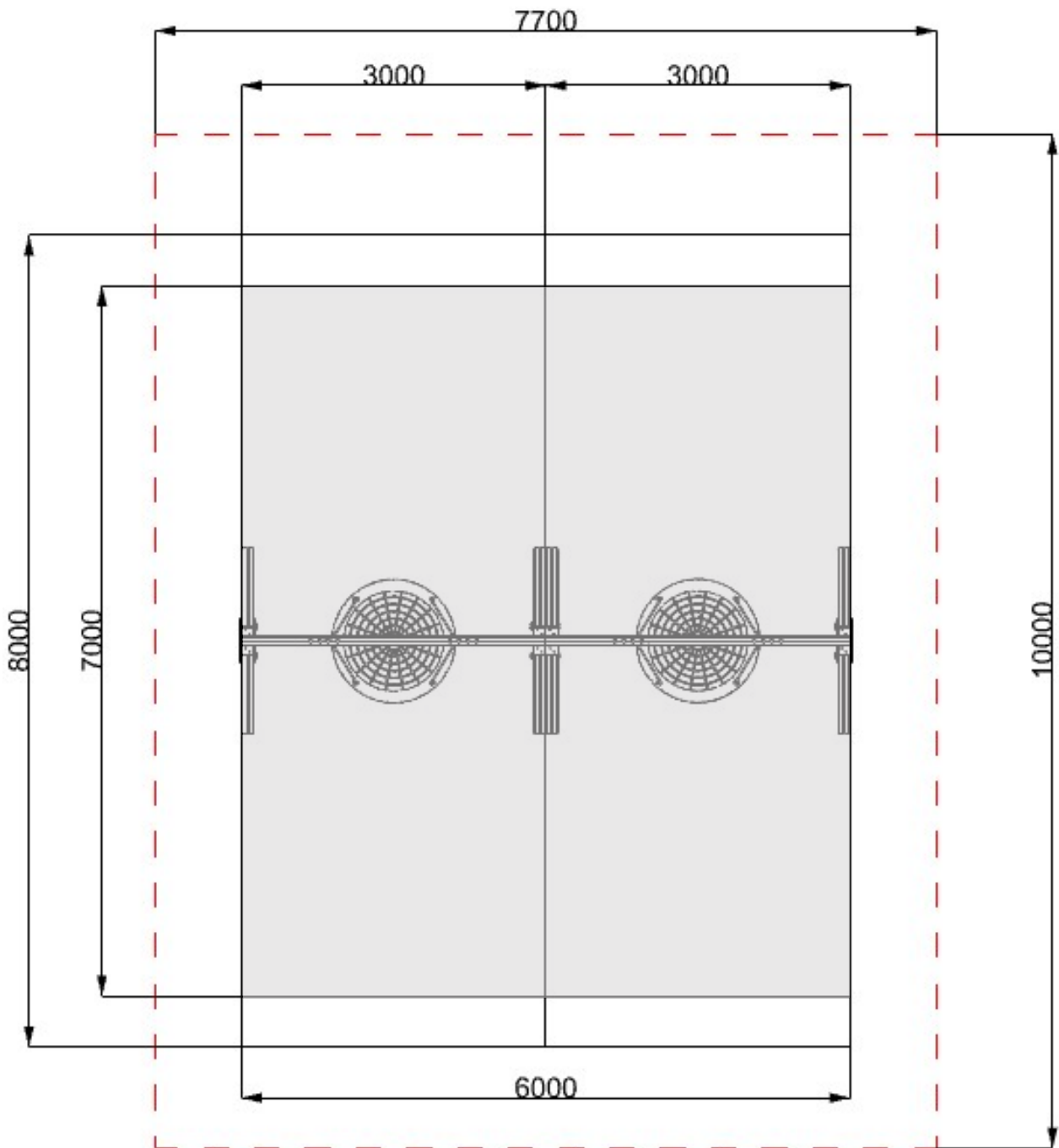
M8 NUT CAP

FOUNDATION DETAILS



SURFACING DETAILS

-  = ***SYNTHETIC***
-  = ***LOOSE FILL***
-  = ***AREA REQUIRED***

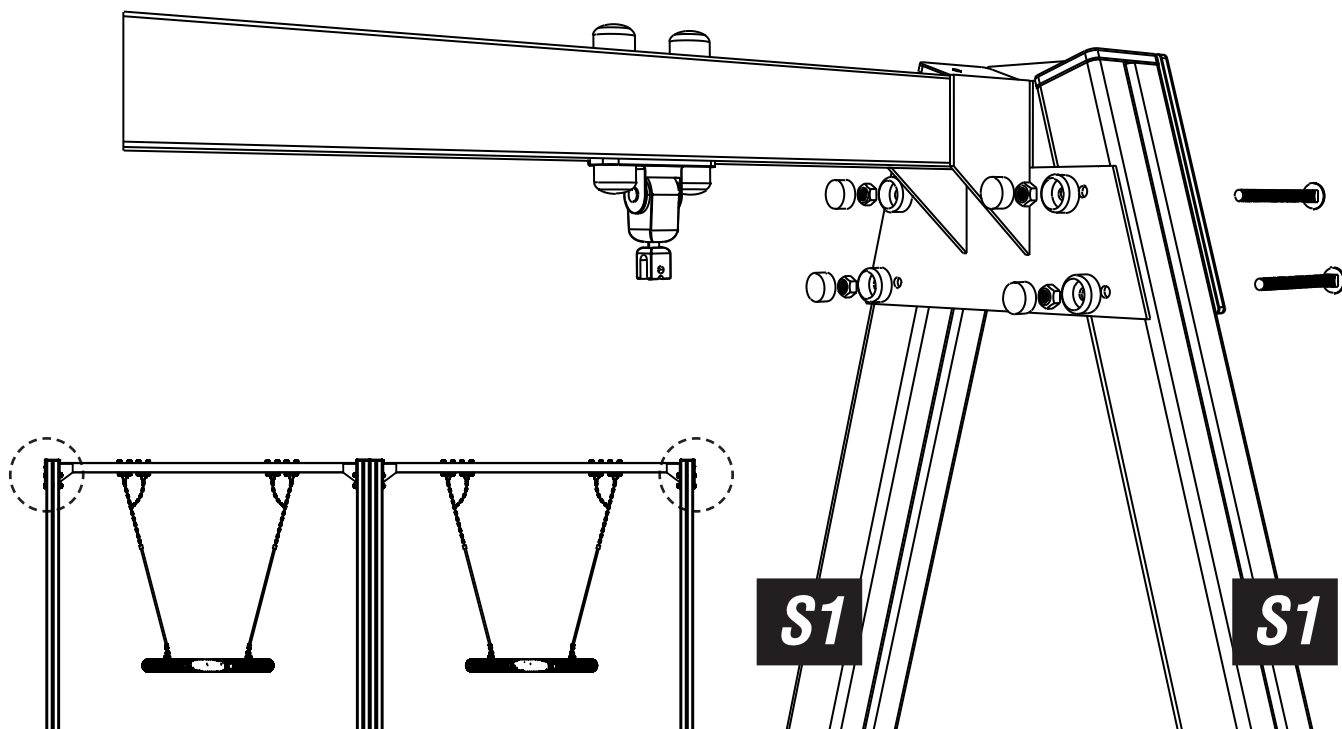


INSTALLATION INSTRUCTIONS

1

ATTACH PLAYTEC COVER AND S1 TIMBERS TO ONE END OF EACH BEAM

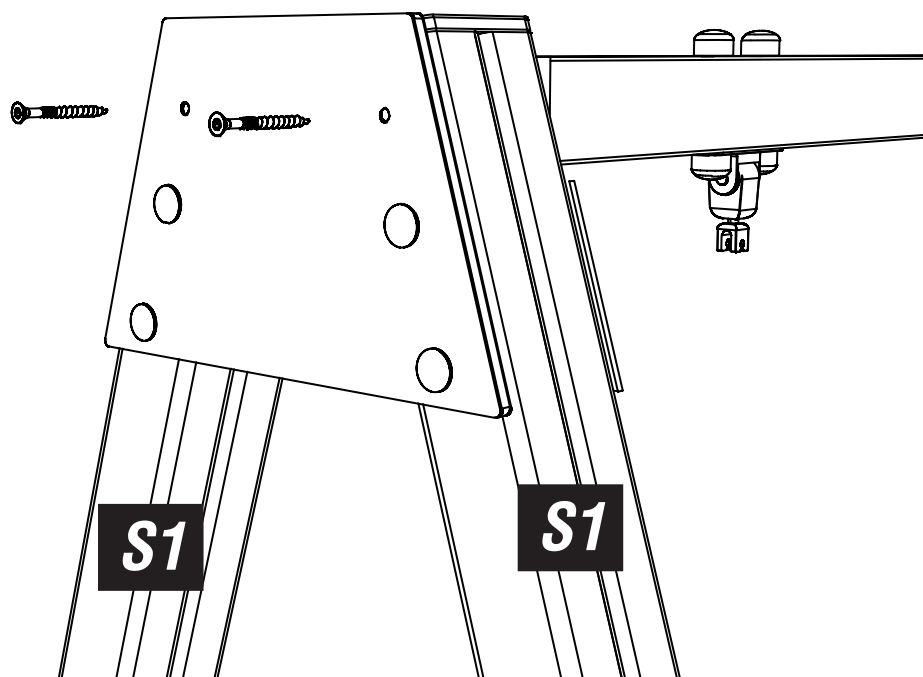
USING M12X160 BOLTS [X8], M12 NYLOGS [X8] AND END CAPS [X8]



2

ATTACH PLAYTEC COVER TO TIMBERS S1

USING M8X80 WOODSCREWS [X4]

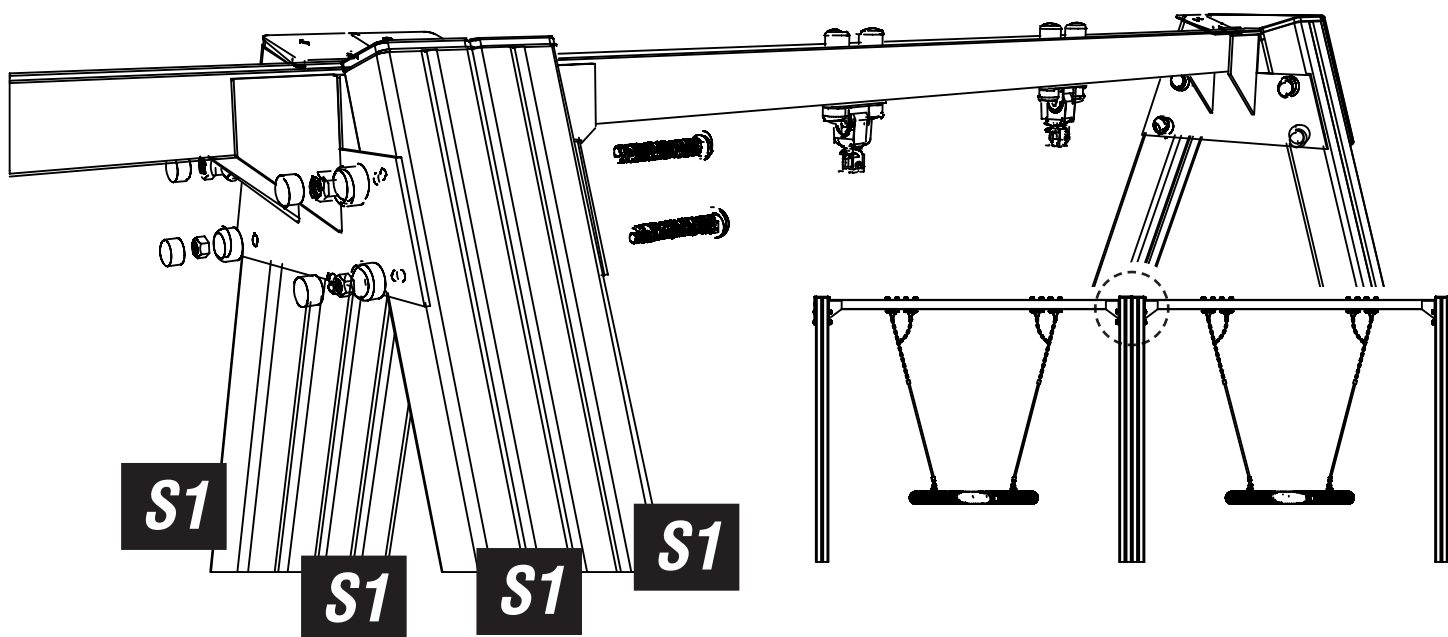


INSTALLATION INSTRUCTIONS

3

SECURE BOTH BEAMS AND MIDDLE TIMBERS TOGETHER

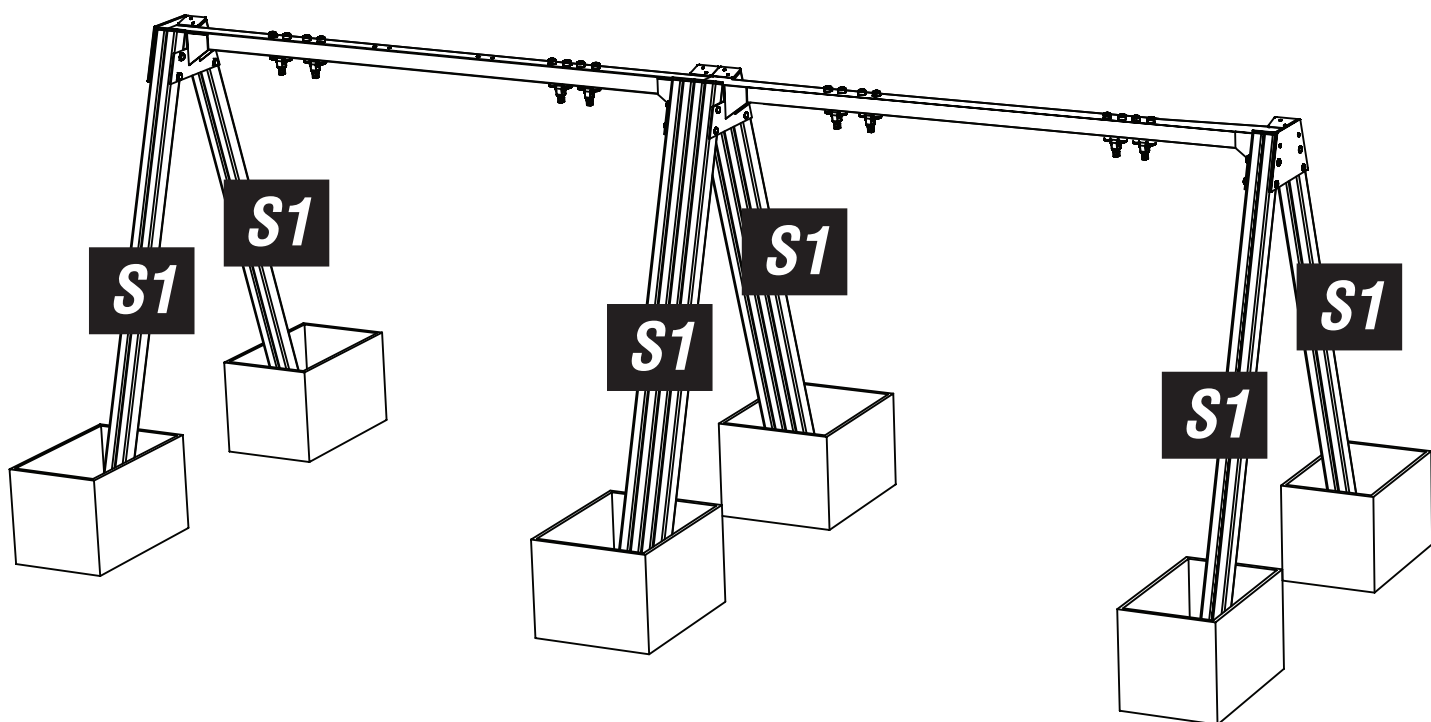
USING M12X260 BOLTS [X4], M12 NYLOGS [X4] AND END CAPS [X4]



4

INSTALL THE ASSEMBLY

FOLLOW FOUNDATION DETAILS

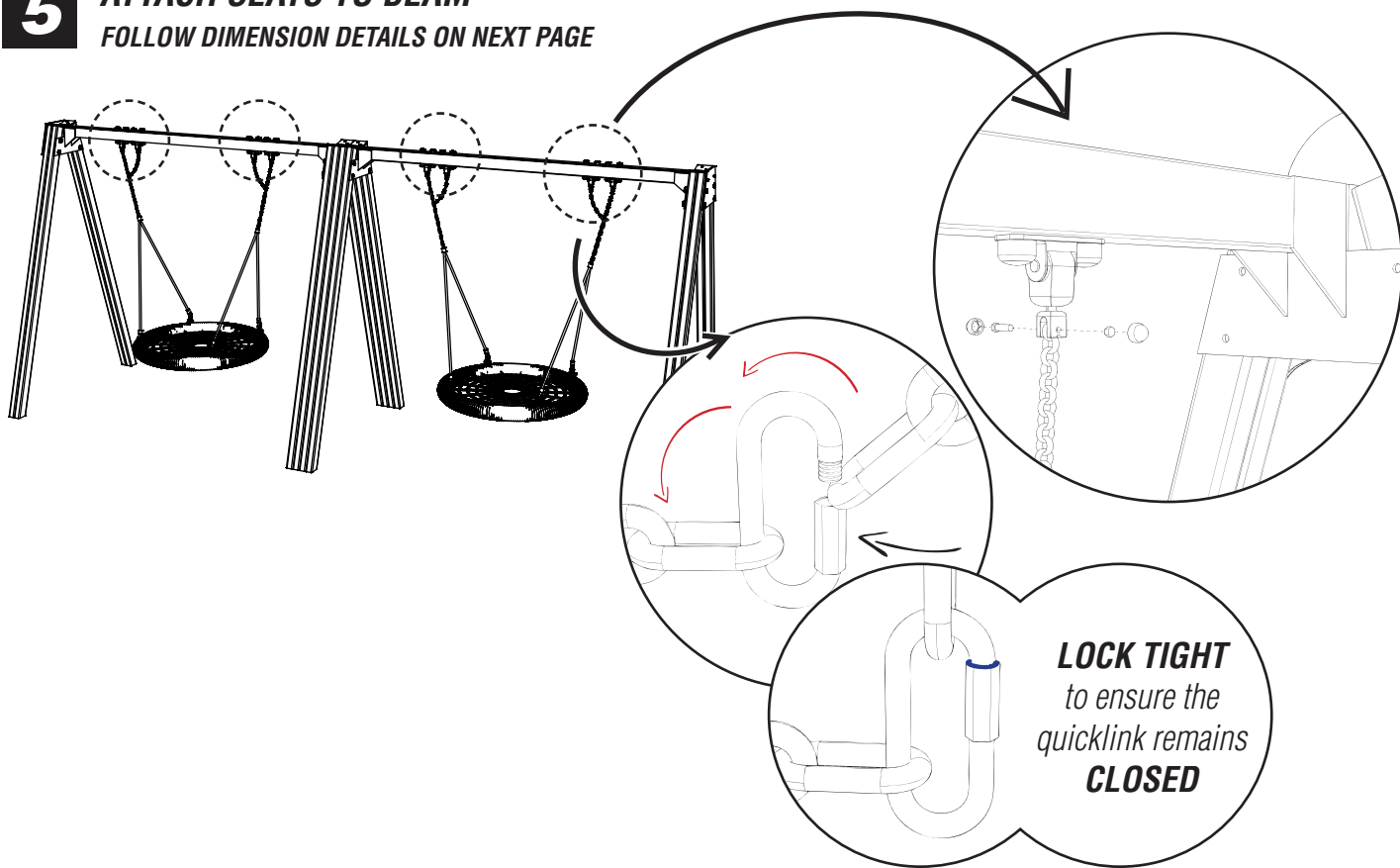


INSTALLATION INSTRUCTIONS

5

ATTACH SEATS TO BEAM

FOLLOW DIMENSION DETAILS ON NEXT PAGE



ADDITIONAL DIMENSIONS

