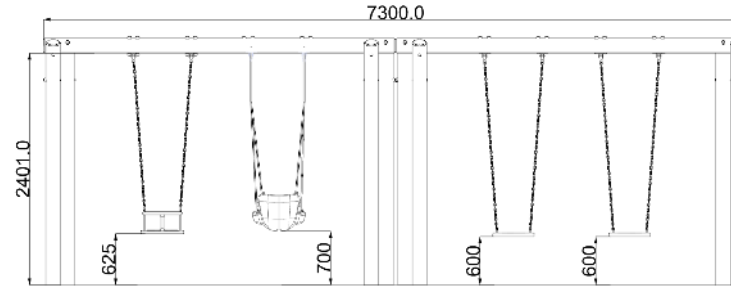
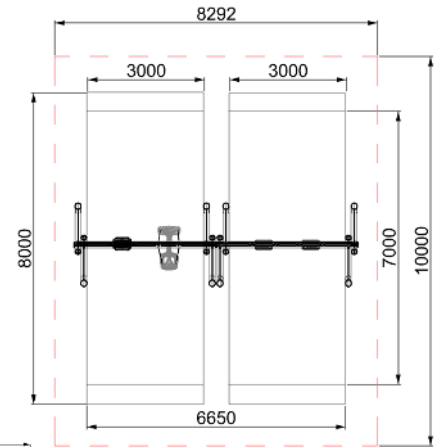
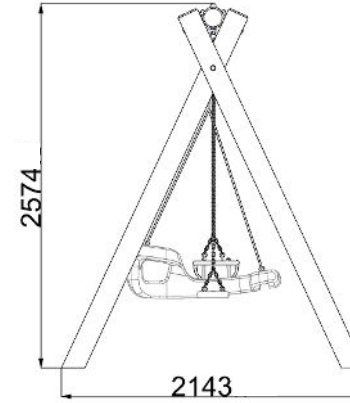


# QUAD SWING ROUND

**creative**  
**play**

S119-R



\* Measurements in millimetres  
- - - = Minimum area required  
8000 Dimension for loose fill surfacing

## PRODUCT INFORMATION

PRODUCT CODE

S119-R

DIMENSIONS LXWXH

7.3M X 2.1M X 2.5M

AGE RANGE

3+

SPARE PART AVAILABILITY

2-4 WEEKS

## TECHNICAL INFORMATION

FREE FALL HEIGHT

1.5M

MINIMUM AREA

10M X 8.3M

MIN. SURFACING AREA  
(OVERALL SURFACING)

46 SQM

STANDARDS COMPLIANCE

BSEN1176

## DOWNLOADS

PRODUCT WEBPAGE



MAINTENANCE INFORMATION



\*Information correct at time of creation