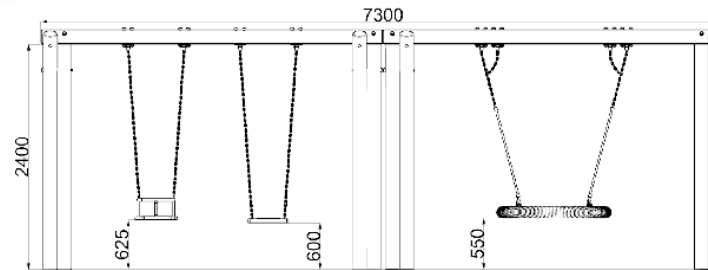
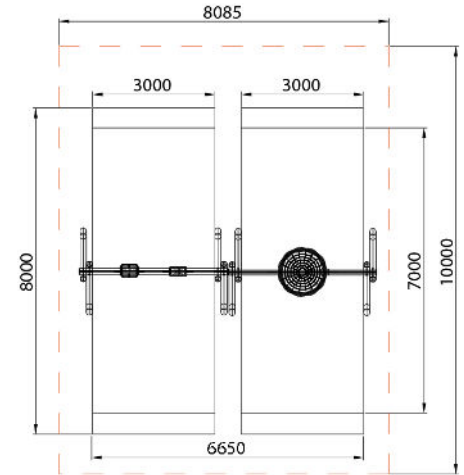
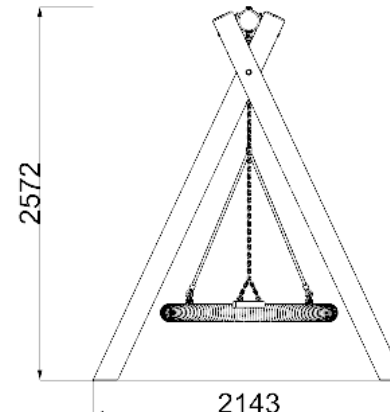
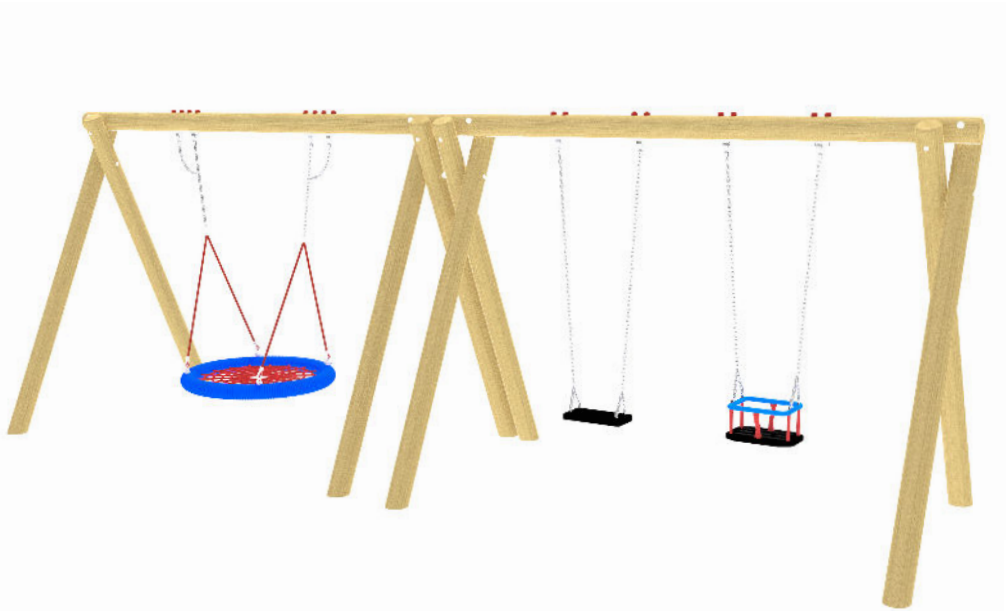


DOUBLE SWING & BASKET ROUND

creative
play

S118-R



* Measurements in millimetres
--- = Minimum area required
8000 Dimension for loose fill surfacing

PRODUCT INFORMATION

PRODUCT CODE S118-R

DIMENSIONS LXWXH 5.8M X 2.1M X 2.5M

AGE RANGE 3+

SPARE PART AVAILABILITY 2-4 WEEKS

TECHNICAL INFORMATION

FREE FALL HEIGHT 1.5M

MINIMUM AREA 10M X 8M

MIN. SURFACING AREA (OVERALL SURFACING) 46 SQM

STANDARDS COMPLIANCE BSEN1176

DOWNLOADS

PRODUCT WEBPAGE 

MAINTENANCE INFORMATION 

*Information correct at time of creation