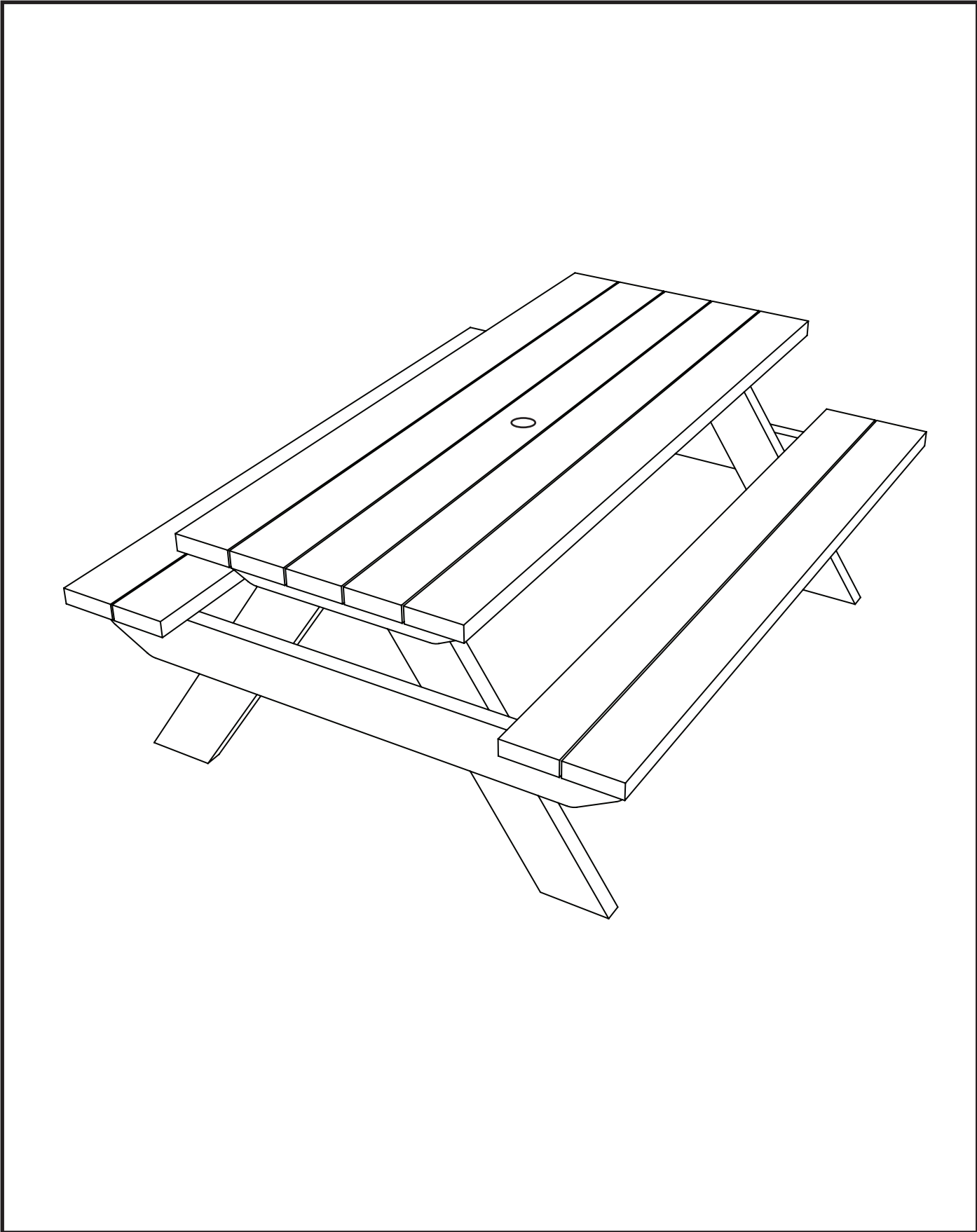
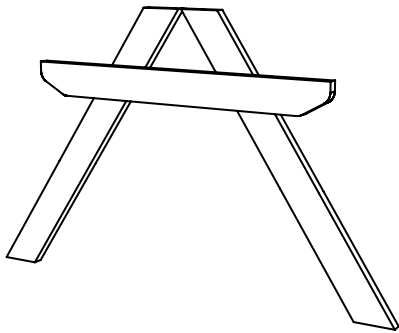


**PT108-A - 1.8M PICNIC TABLE
(UMBRELLA) (INSTALLED)**
Installation Instructions

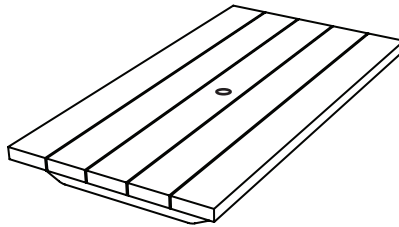


PT108-A - 1.8M PICNIC TABLE (UMBRELLA) (INSTALLED) Installation Instructions



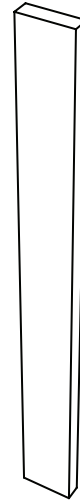
x2

TABLE LEGS



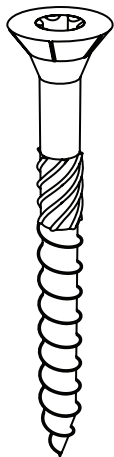
x1

1.8M TABLE TOP



x4

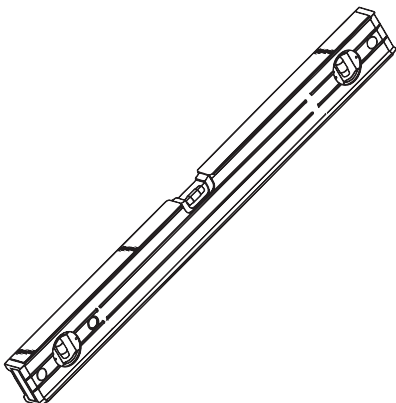
SEAT TIMBERS



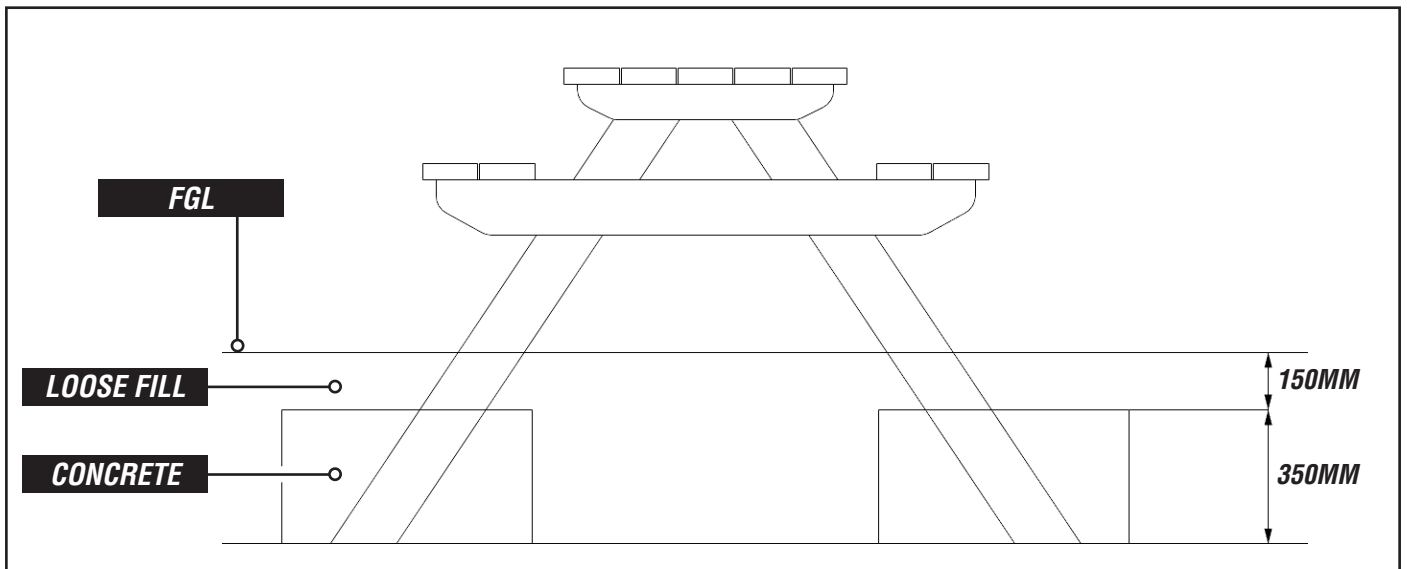
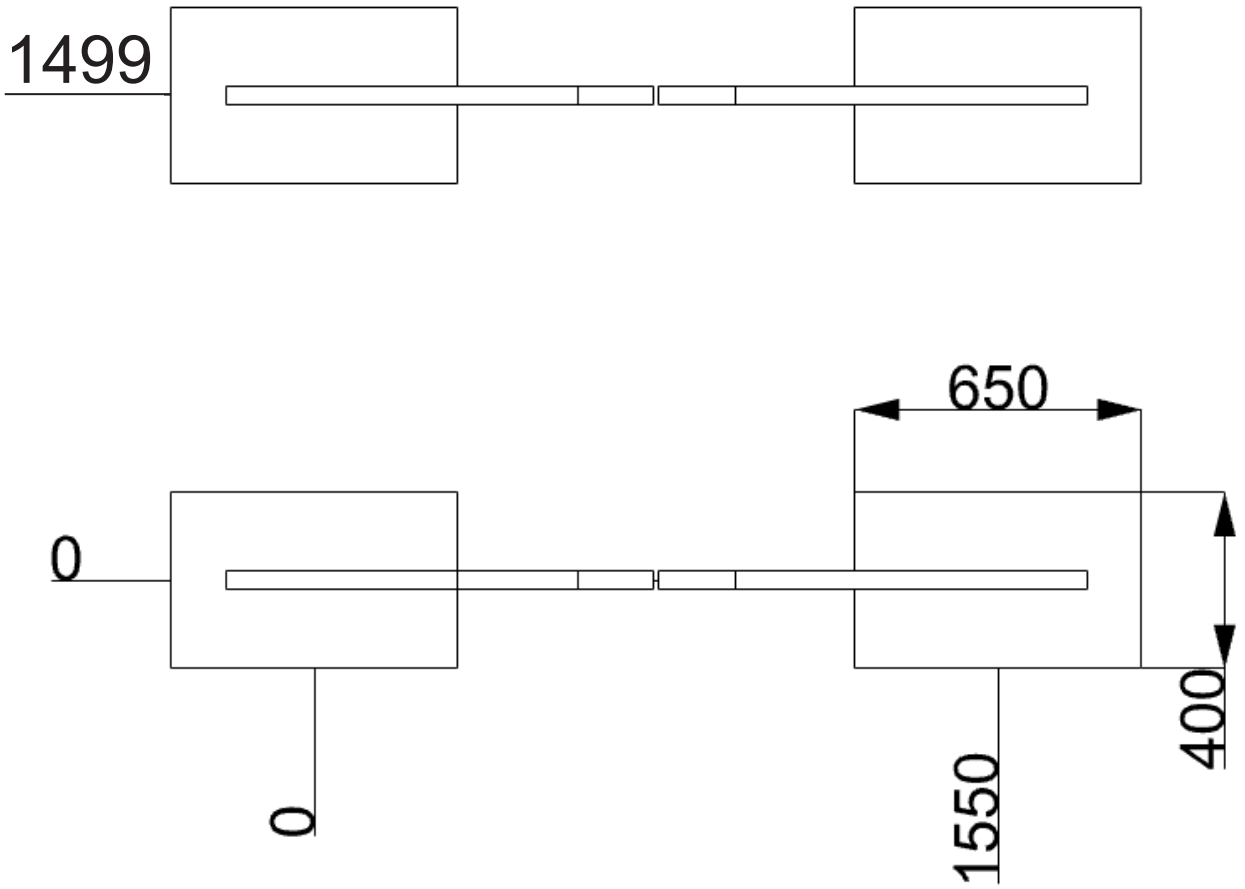
x24

M8X80CSK

TOOLS REQUIRED



FOUNDATION DETAILS

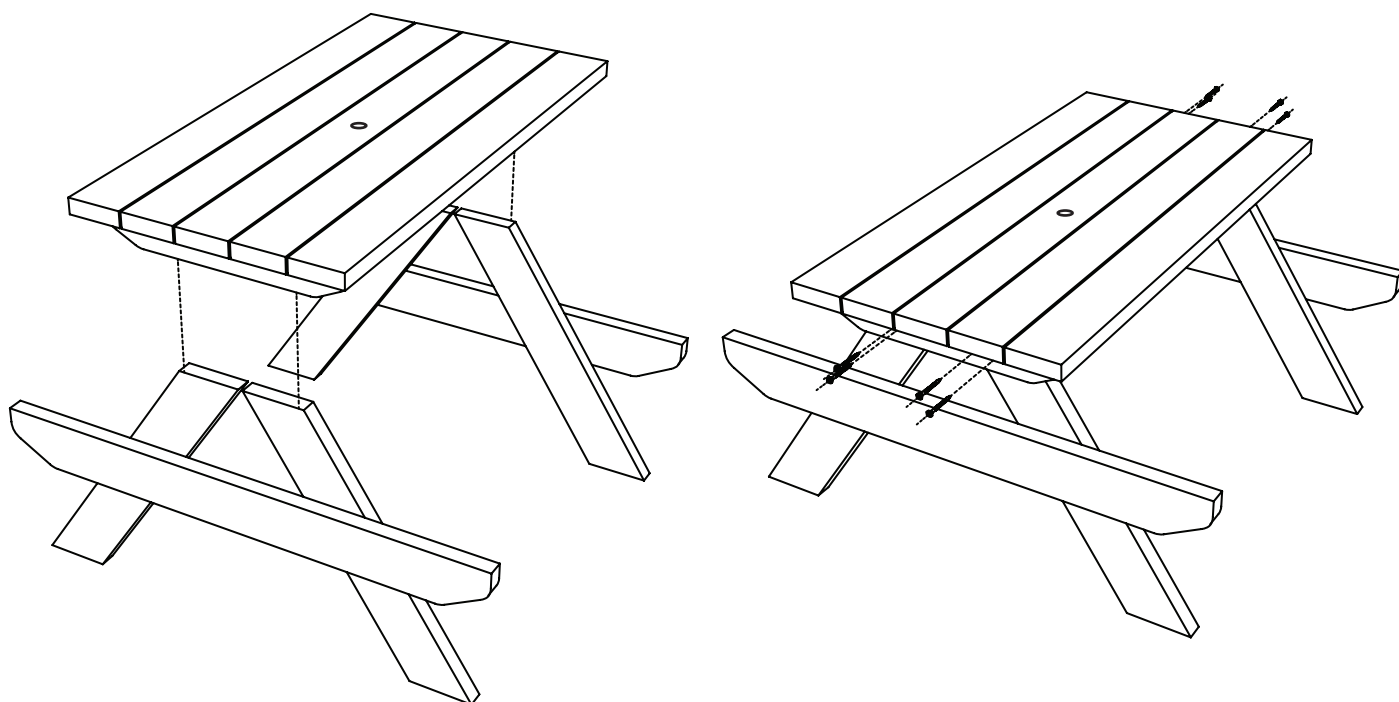


INSTALLATION INSTRUCTIONS

1

FIX TABLE TOP TO TABLE LEGS

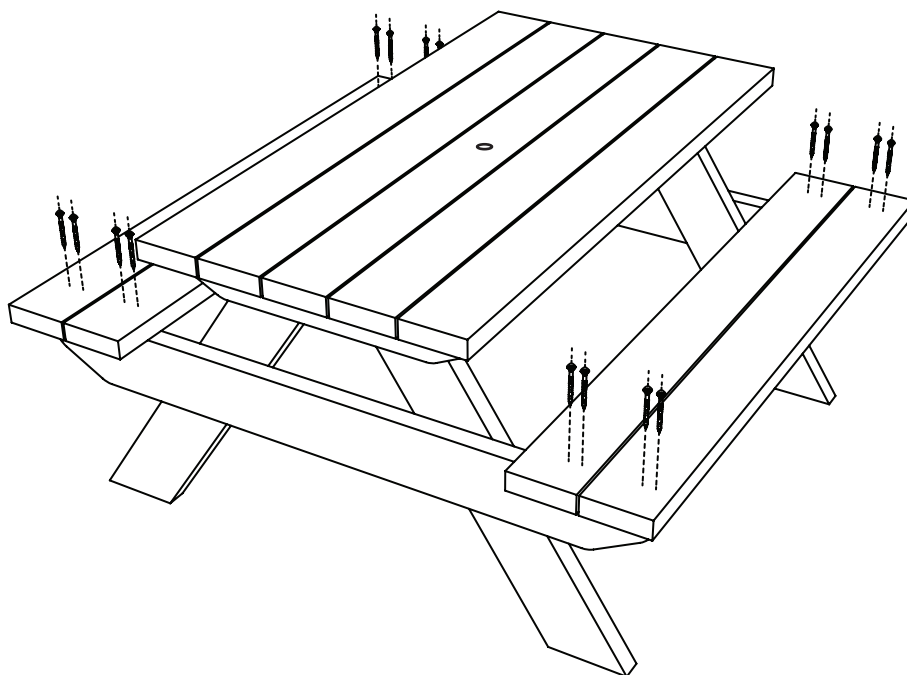
USING M8X80 SCREWS [X8] - ENSURE LEGS SIT ON THE INSIDE OF THE TABLE TOP SUPPORTS



2

FIX SEATING TIMBERS TO TABLE TOP

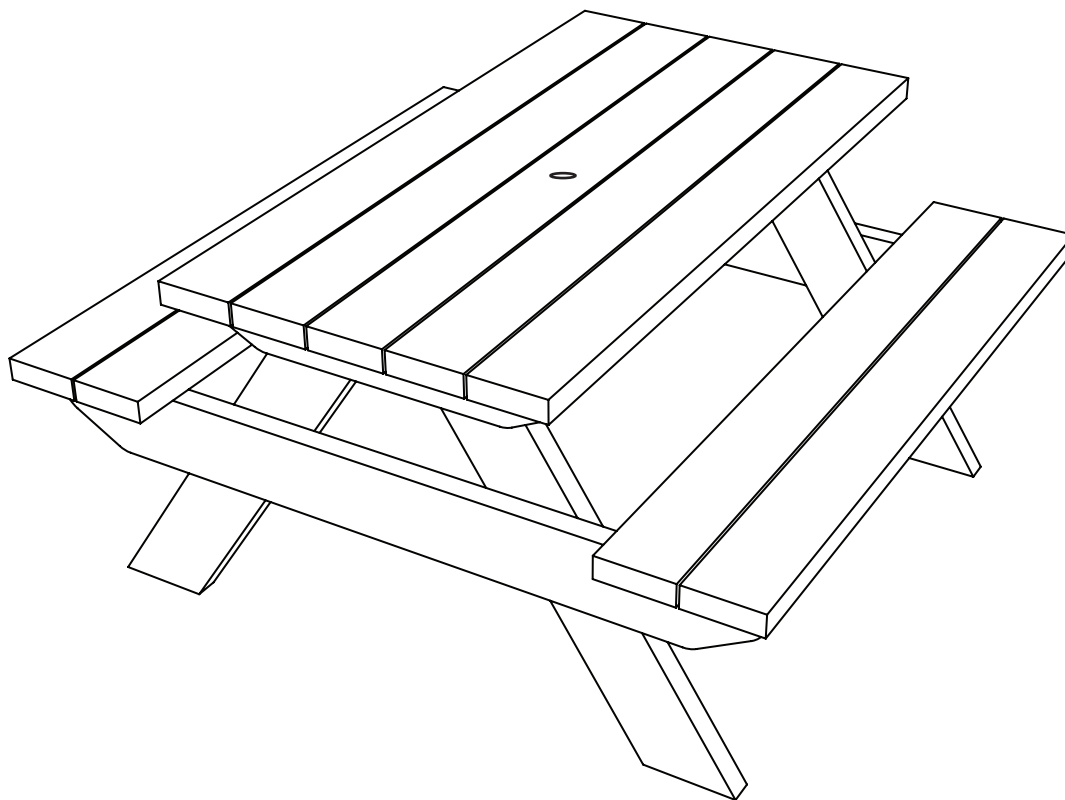
USING M8X80 SCREWS [X16]



INSTALLATION INSTRUCTIONS

3

SECURE INTO THE GROUND
USING FOUNDATION DETAILS ON PAGE 3



ADDITIONAL DIMENSIONS

