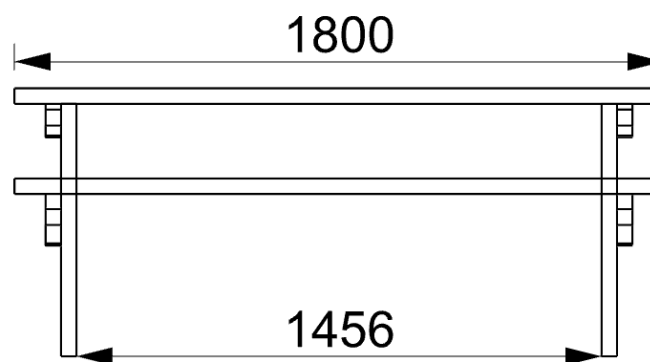
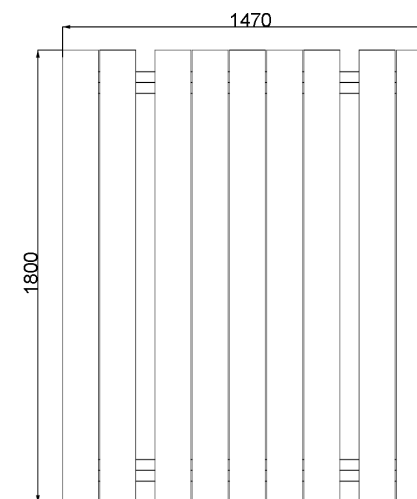
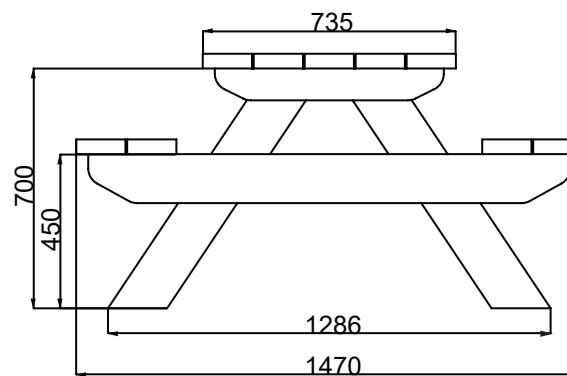


1.8M PICNIC TABLE

**creative
play**

PT107-A



**Measurements in millimetres*

PRODUCT INFORMATION

PRODUCT CODE

PT107-A

DIMENSIONS LXWXH

1.8M X 1.5M X 0.7M

AGE RANGE

3+

SPARE PART AVAILABILITY

2-4 WEEKS

TECHNICAL INFORMATION

FREE FALL HEIGHT

N/A

MINIMUM AREA

1.8MX1.5M

MIN. SURFACING AREA

N/A

STANDARDS COMPLIANCE

BSEN1176

DOWNLOADS

PRODUCT WEBPAGE



MAINTENANCE INFORMATION



**Information correct at time of creation*