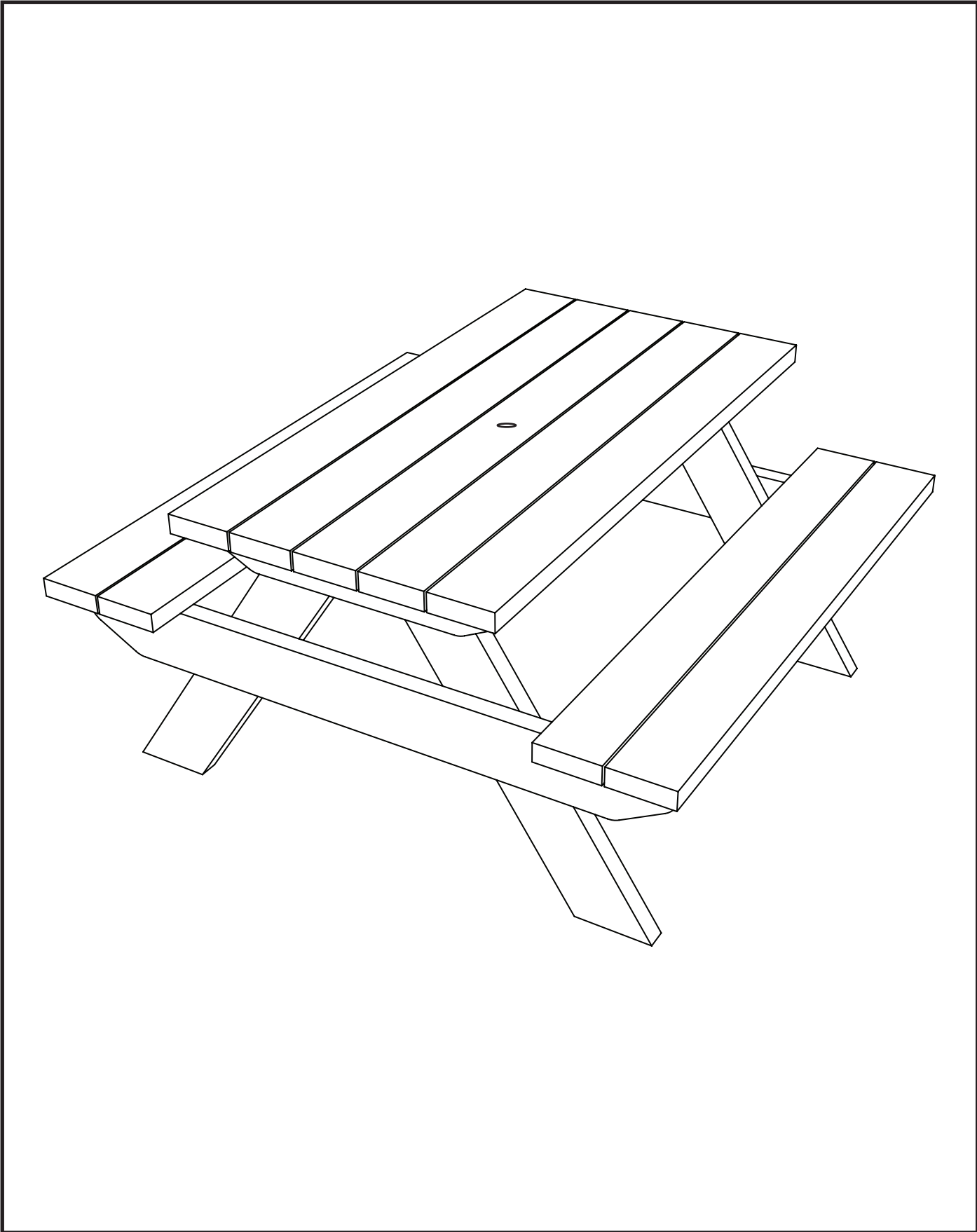


# PT106-A - 1.4M PICNIC TABLE

**UMBRELLA** (INSTALLED)

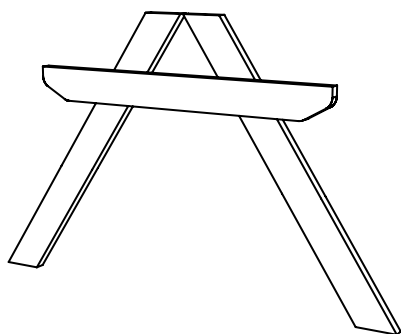
## Installation Instructions



# PT106-A - 1.4M PICNIC TABLE

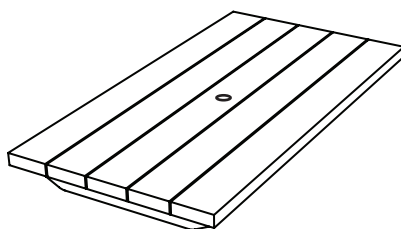
**UMBRELLA** (INSTALLED)

## Installation Instructions



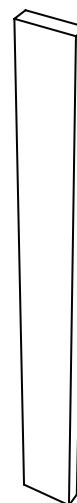
x2

**TABLE LEGS**



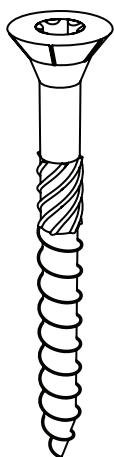
x1

**1.4M TABLE TOP**



x4

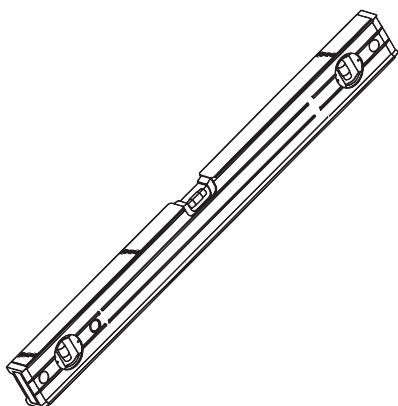
**SEAT TIMBERS**



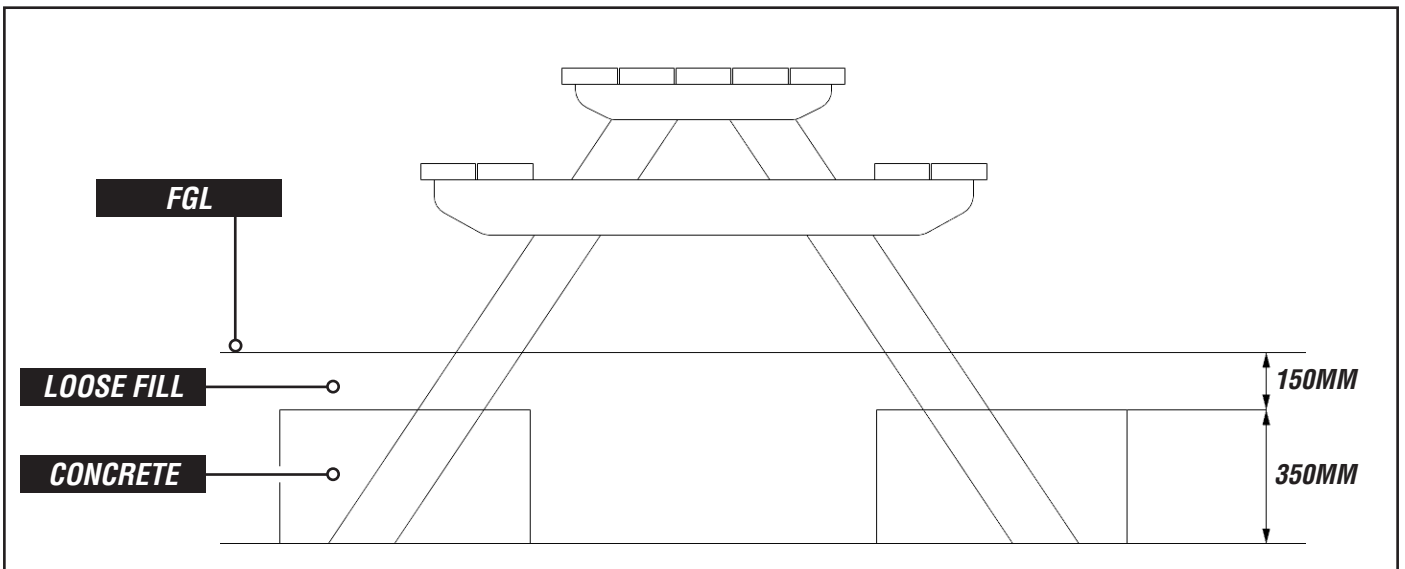
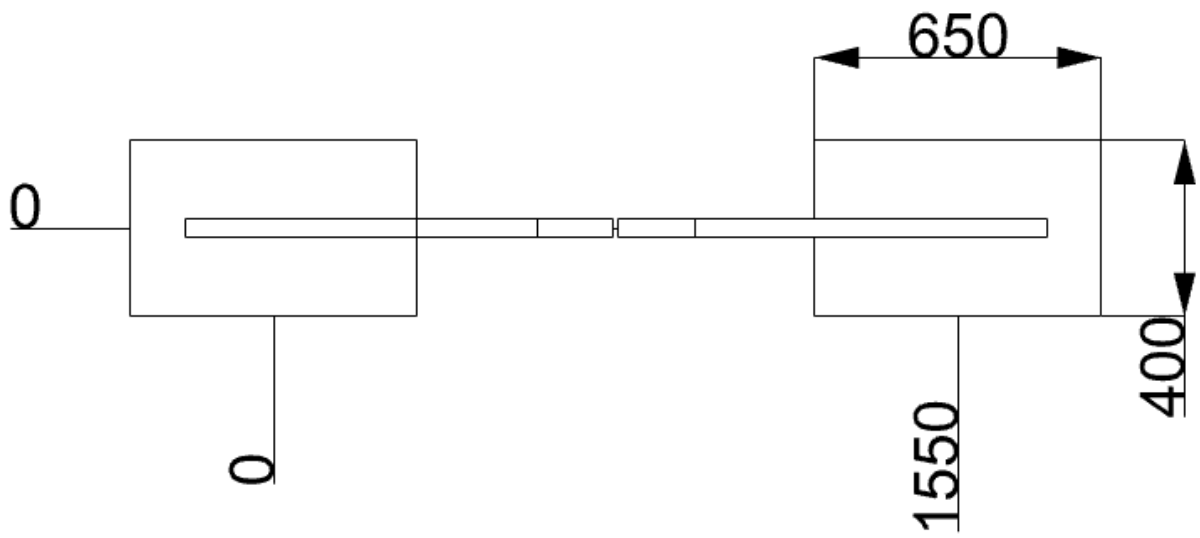
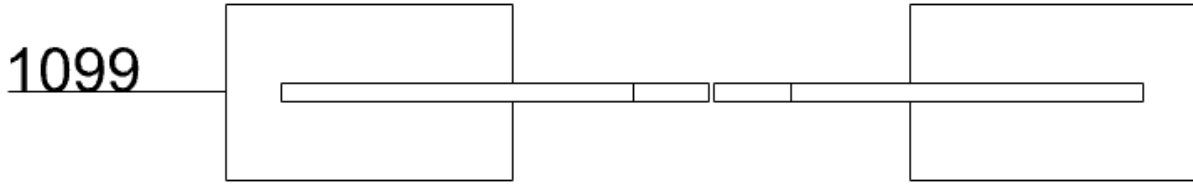
x24

**M8X80CSK**

## TOOLS REQUIRED



# FOUNDATION DETAILS



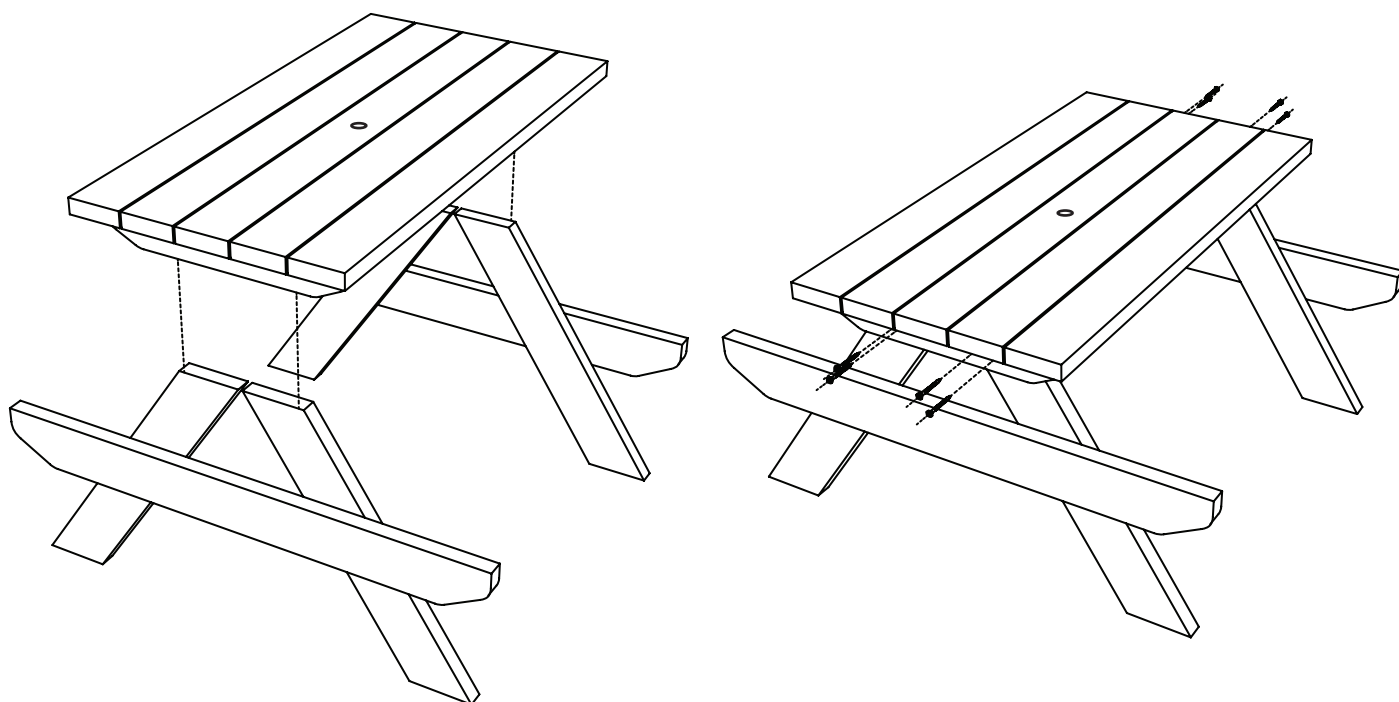
# INSTALLATION INSTRUCTIONS

---

**1**

## **FIX TABLE TOP TO TABLE LEGS**

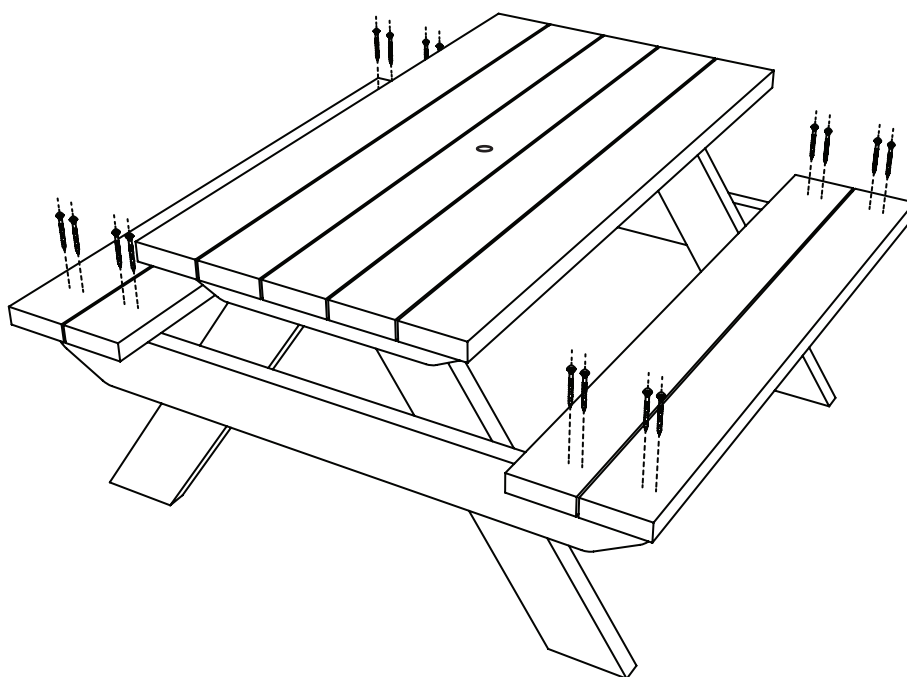
**USING M8X80 SCREWS [X8] - ENSURE LEGS SIT ON THE INSIDE OF THE TABLE TOP SUPPORTS**



**2**

## **FIX SEATING TIMBERS TO TABLE TOP**

**USING M8X80 SCREWS [X16]**

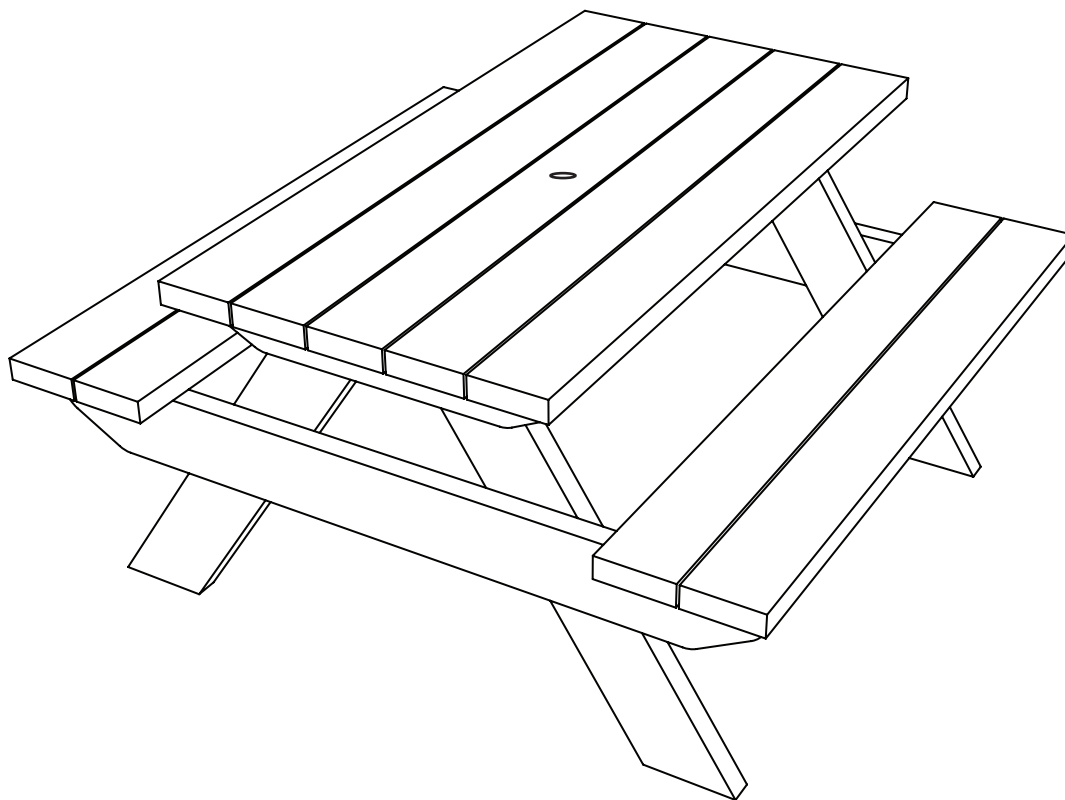


# INSTALLATION INSTRUCTIONS

---

**3**

**SECURE INTO THE GROUND**  
USING FOUNDATION DETAILS ON PAGE 3



# ***ADDITIONAL DIMENSIONS***

---

