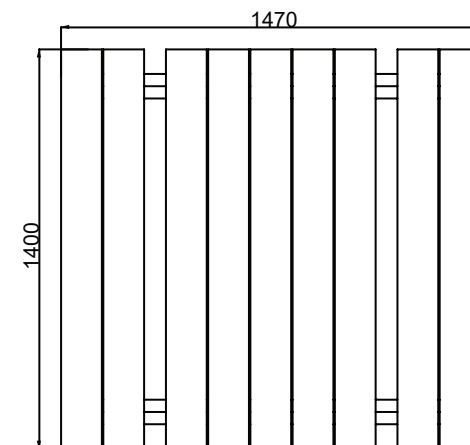
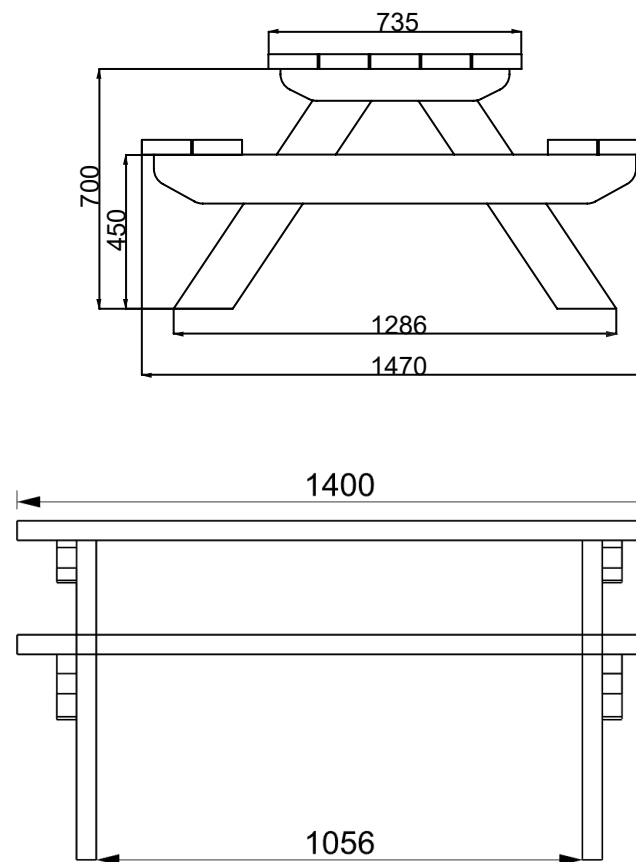


# 1.4M PICNIC TABLE

**creative**  
**play**

PT105-A



*\*Measurements in millimetres*

## PRODUCT INFORMATION

PRODUCT CODE

PT105-A

DIMENSIONS LXWXH

1.4M X 1.5M X 0.7M

AGE RANGE

3+

SPARE PART AVAILABILITY

2-4 WEEKS

## TECHNICAL INFORMATION

FREE FALL HEIGHT

N/A

MINIMUM AREA

1.4MX1.5M

MIN. SURFACING AREA

N/A

STANDARDS COMPLIANCE

BSEN1176

## DOWNLOADS

PRODUCT WEBPAGE



MAINTENANCE INFORMATION



*\*Information correct at time of creation*