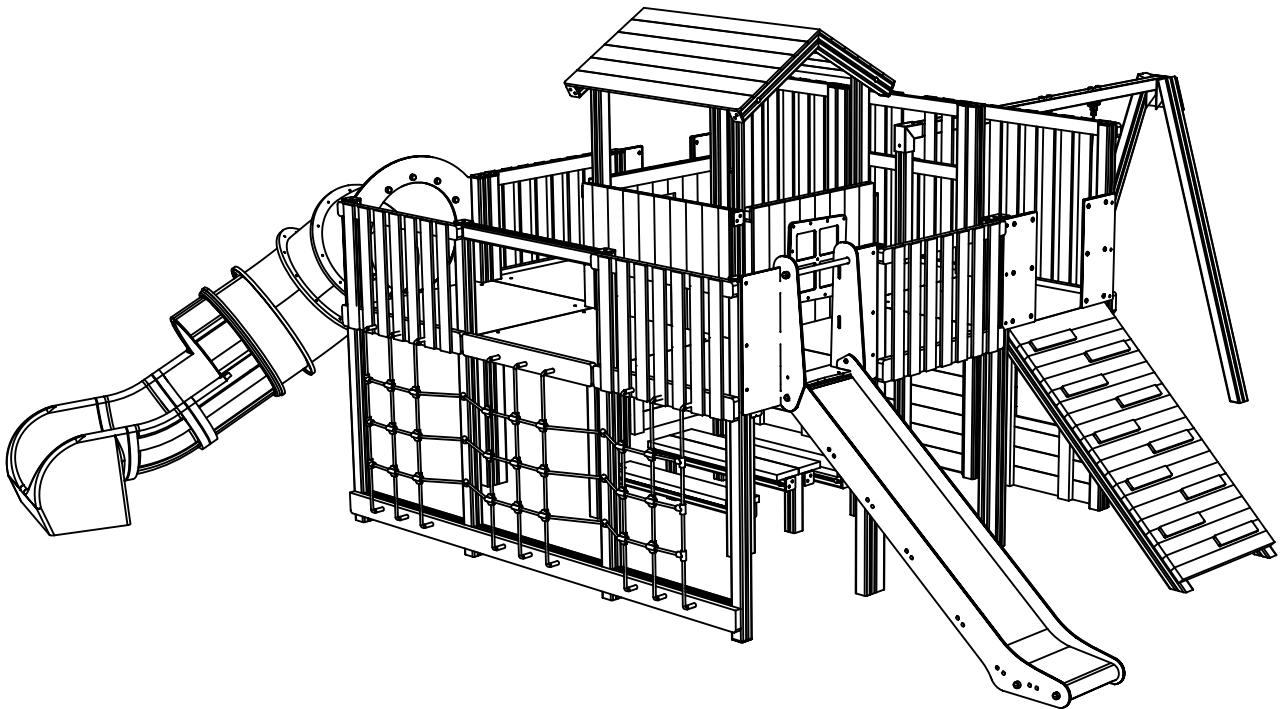
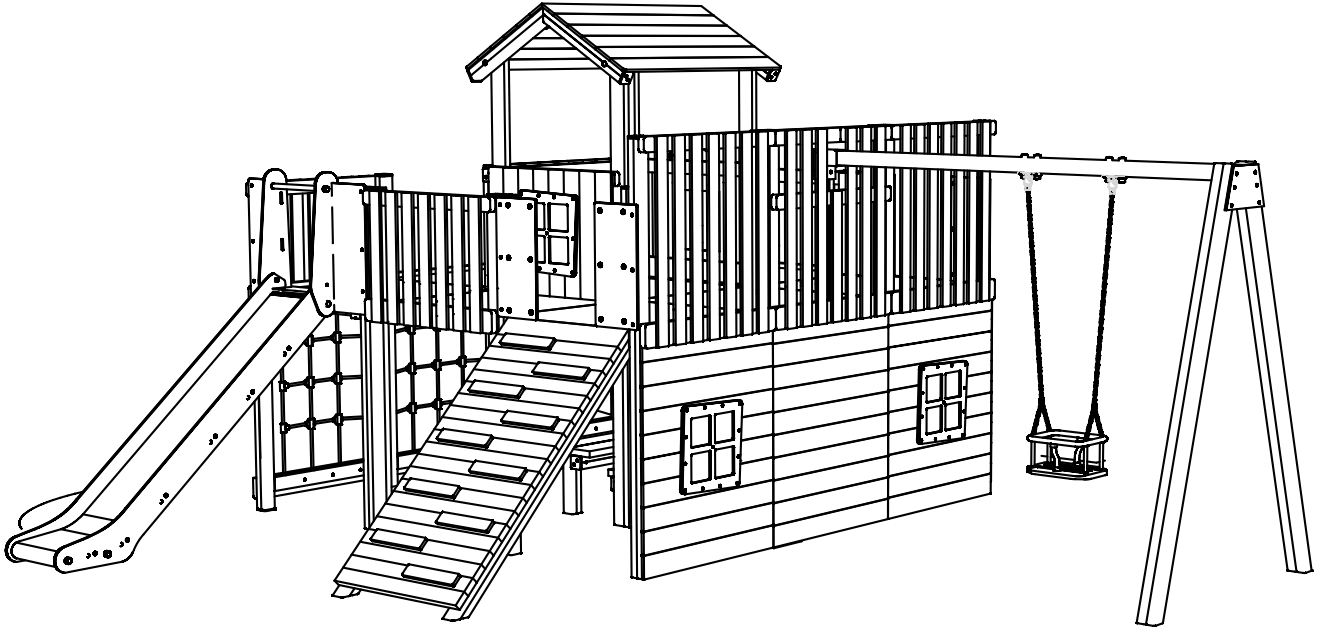
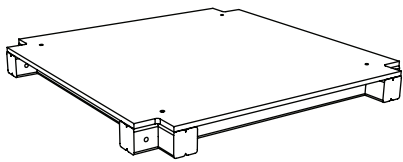


WO106B - HEARTWOOD CRADLE SEAT INSTALLATION INSTRUCTIONS



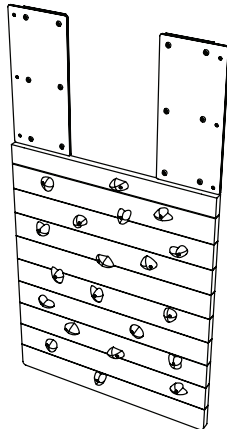
PARTS REQUIRED

FOR ANY STANDARD JIGSAW PARTS USE THE STANDARD JIGSAW INSTALLATION INSTRUCTIONS.



X6

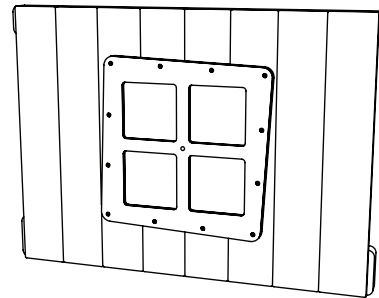
STANDARD JIGSAW PART
JIGSAW FLOOR ASSEMBLY



X1

inc. standard fixings

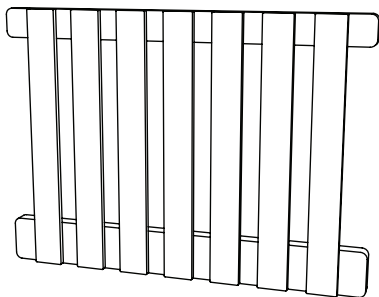
STANDARD JIGSAW PART
JIG1515 - CLIMBING PANEL WITH BLOCKS - 1.5M



X2

inc. standard fixings

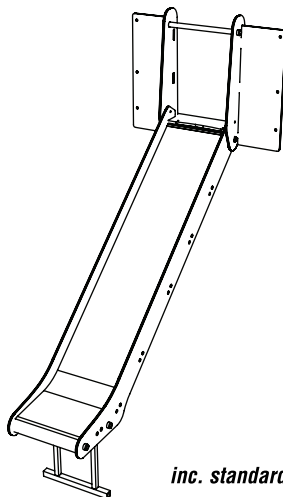
STANDARD JIGSAW PART
JIG117 - GUARD RAIL - WINDOW



X4

inc. standard fixings

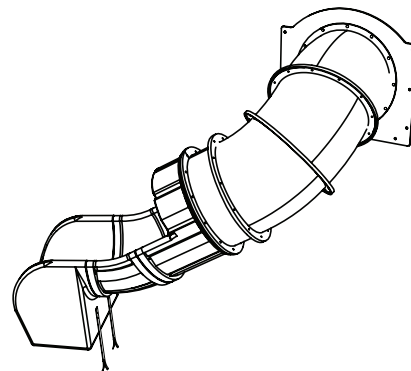
STANDARD JIGSAW PART
JIG102 - GUARD RAIL - STRAIGHT



X1

inc. standard fixings

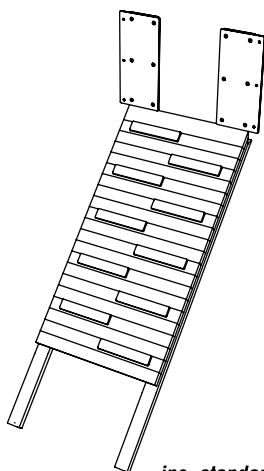
STANDARD JIGSAW PART
JIG1511 - SLIDE - 1.5M



X1

inc. standard fixings

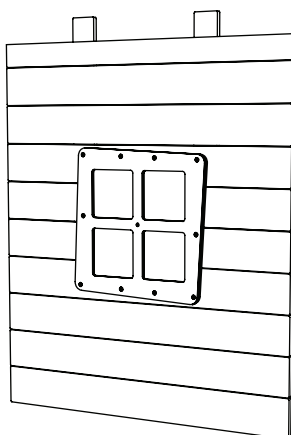
STANDARD JIGSAW PART
JIG1511(B) - TUBULAR SLIDE - CURVED - 1.5M



X1

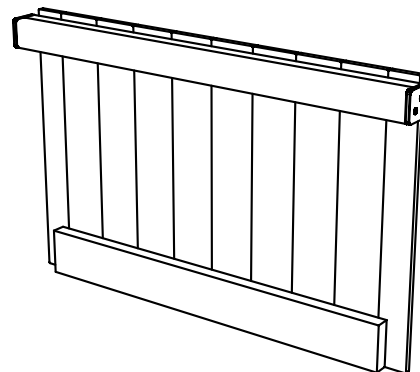
inc. standard fixings

STANDARD JIGSAW PART
JIG1513 - RAMP - 1.5M



X2

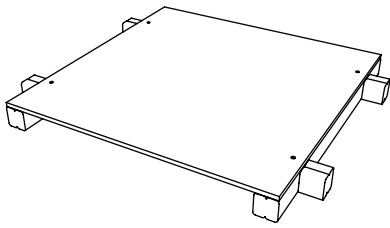
WO106 - SPECIFIC PART
LARGE WINDOW PANEL



X1

WO106 - SPECIFIC PART
GUARD RAIL

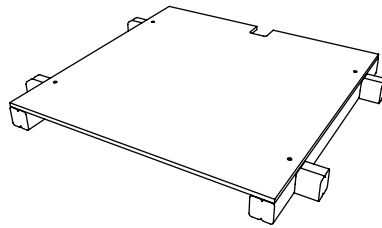
PARTS REQUIRED



X2

WO106 - SPECIFIC PART

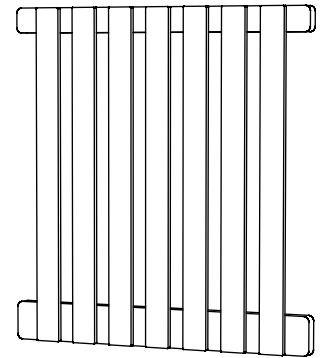
MIDDLE PLATFORM FLOOR



X1

WO106 - SPECIFIC PART

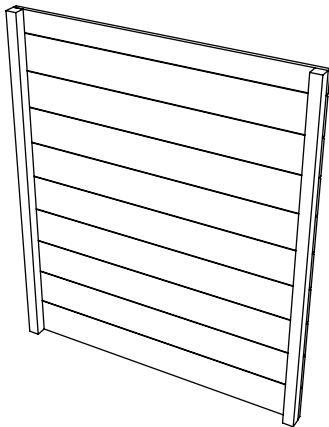
MIDDLE BACK PLATFORM FLOOR



X2

WO106 - SPECIFIC PART

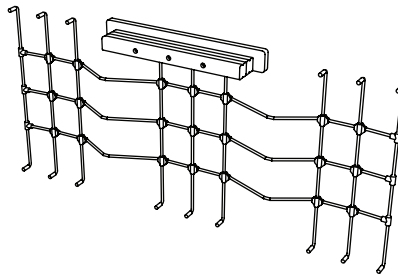
LARGE GUARD RAIL



X1

WO106 - SPECIFIC PART

LARGE TIMBER PANEL



X1

WO106 - SPECIFIC PART

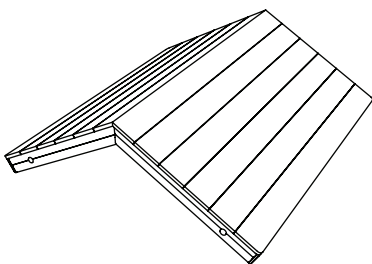
NET ASSEMBLY



X1

WO106 - SPECIFIC PART

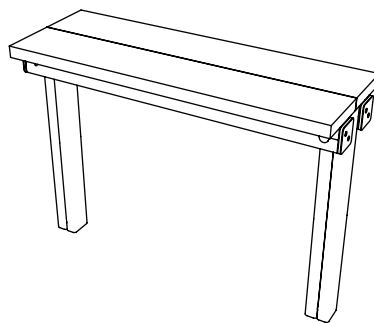
NET TIMBER ASSEMBLY



X1

WO106 - SPECIFIC PART

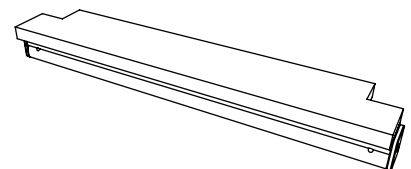
ROOF



X1

WO106 - SPECIFIC PART

WOODLANDER TABLE

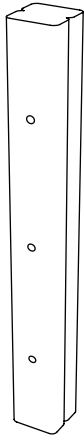


X2

WO106 - SPECIFIC PART

WOODLANDER SEATS

PARTS REQUIRED



X2

W0106 - SPECIFIC PART

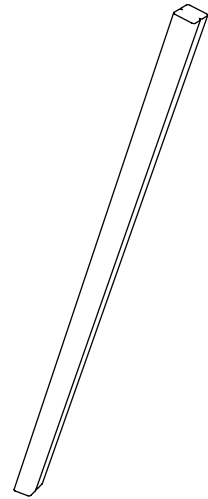
W0106-Y



X1

W0106 - SPECIFIC PART

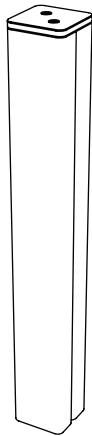
W0106-BB



X2

W0106 - SPECIFIC PART

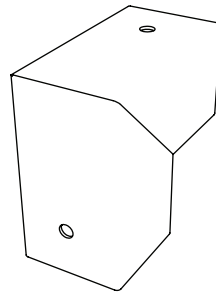
W0106-CC



X2

W0106 - SPECIFIC PART

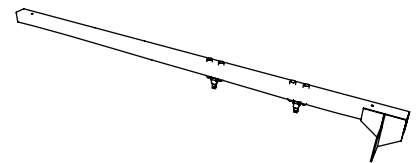
W0106-DD



X1

W0106 - SPECIFIC PART

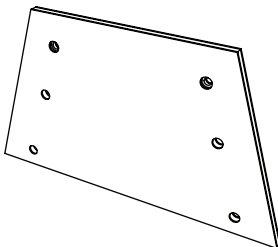
90° SWING BRACKET



X1

W0106 - SPECIFIC PART

STEEL BEAM ASSEMBLY



X1

W0106 - SPECIFIC PART

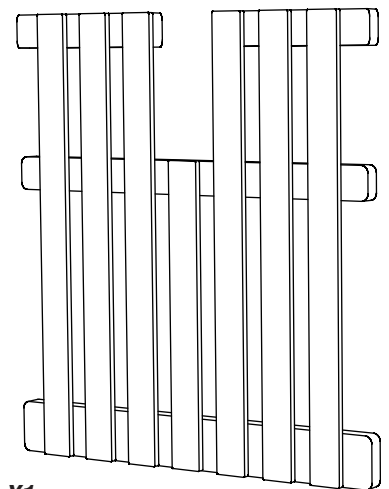
PLAYTEC SWING BRACKET



X1

W0106 - SPECIFIC PART

CRADLE SWING

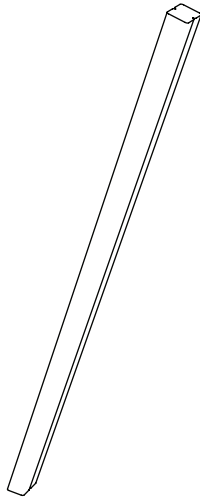


X1

W0106 - SPECIFIC PART

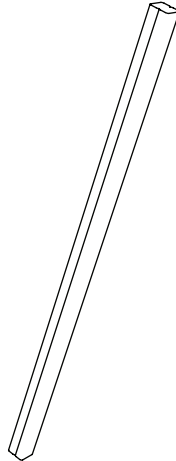
LARGE U-SHAPED GUARD RAIL

PARTS REQUIRED



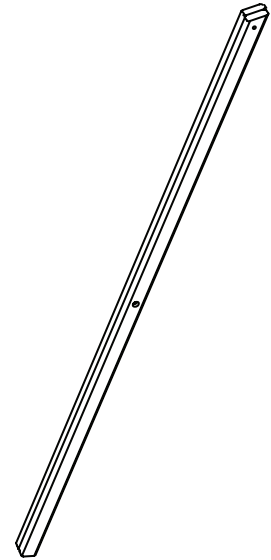
X4

WO106 - SPECIFIC PART
WO106-EE



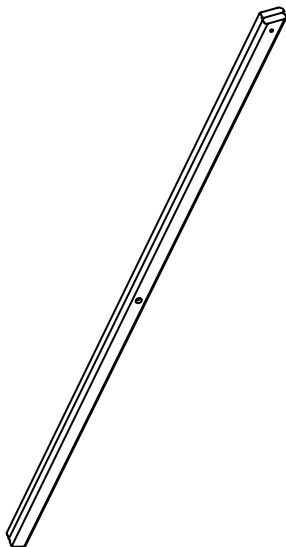
X16

WO106 - SPECIFIC PART
WO106-FF



X2

WO106 - SPECIFIC PART
WO106-GG



X2

WO106 - SPECIFIC PART
WO106-HH



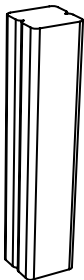
X1

WO106 - SPECIFIC PART
WO106-QQ HORIZONTAL TIMBER



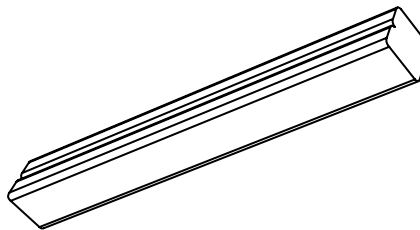
X8

WO106 - SPECIFIC PART
EXTENSION PLATES



X4

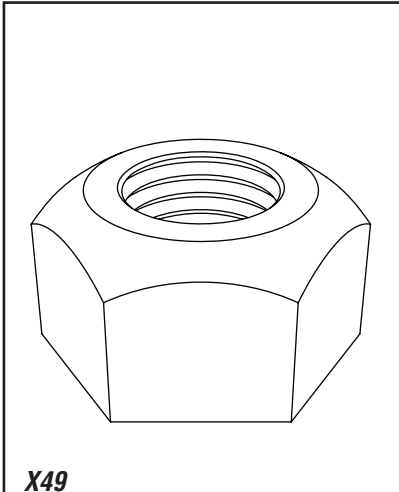
WO106 - SPECIFIC PART
WO106-II



X1

WO106 - SPECIFIC PART
WO106-RR

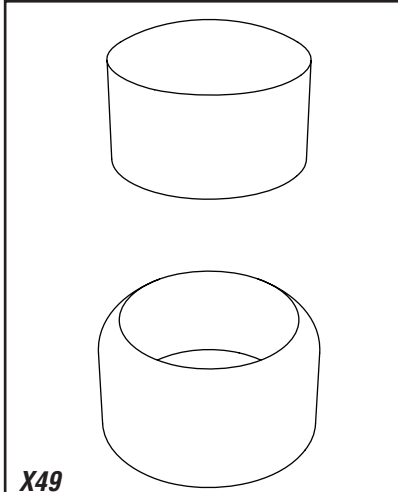
PARTS REQUIRED



X49

WO106 - EXTRA FIXINGS

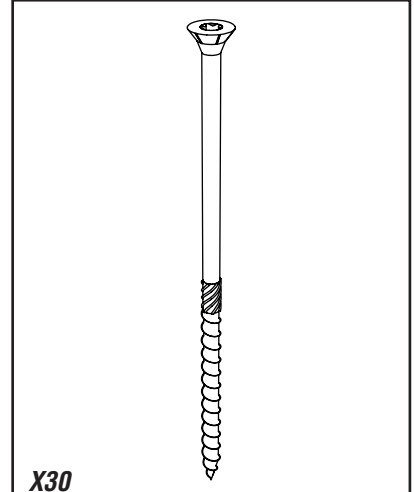
M12 NYLOCS



X49

WO106 - EXTRA FIXINGS

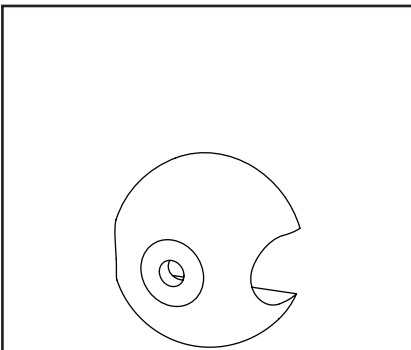
COVERED ENDS



X30

WO106 - EXTRA FIXINGS

M8X180 SCREWS

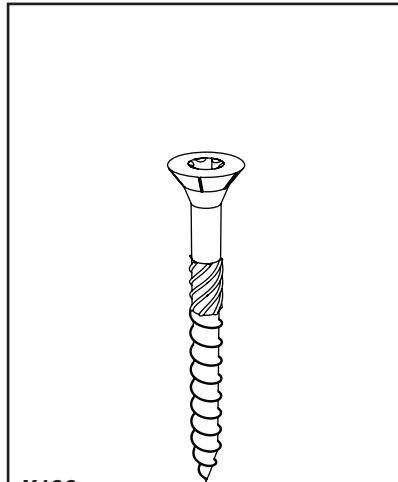


X6

inc. standard fixings

WO106 - EXTRA FIXINGS

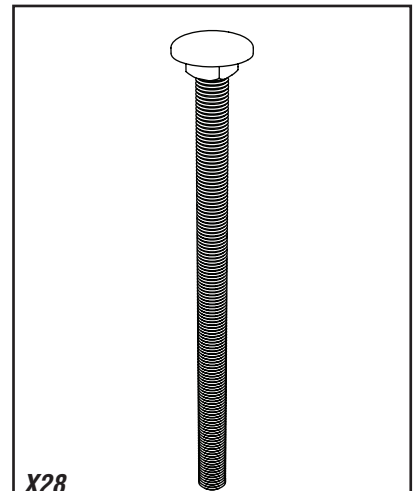
POLYFIX HALVES



X138

WO106 - EXTRA FIXINGS

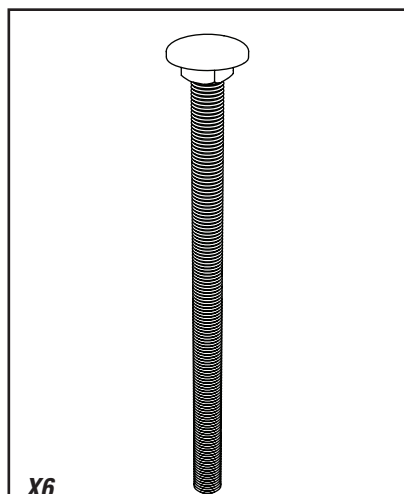
M8X80 SCREWS



X28

WO106 - EXTRA FIXINGS

M12X180 CUP SQUARE BOLTS

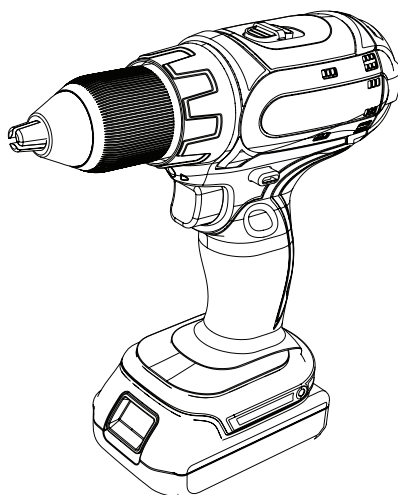
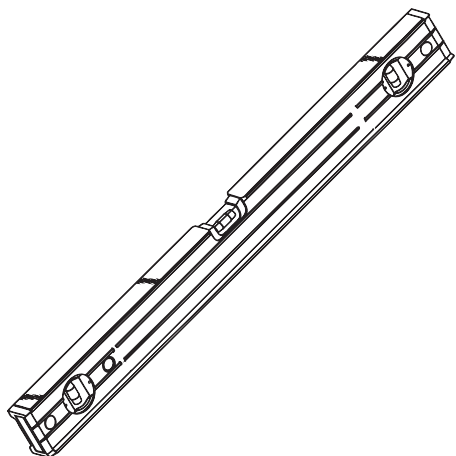


X6

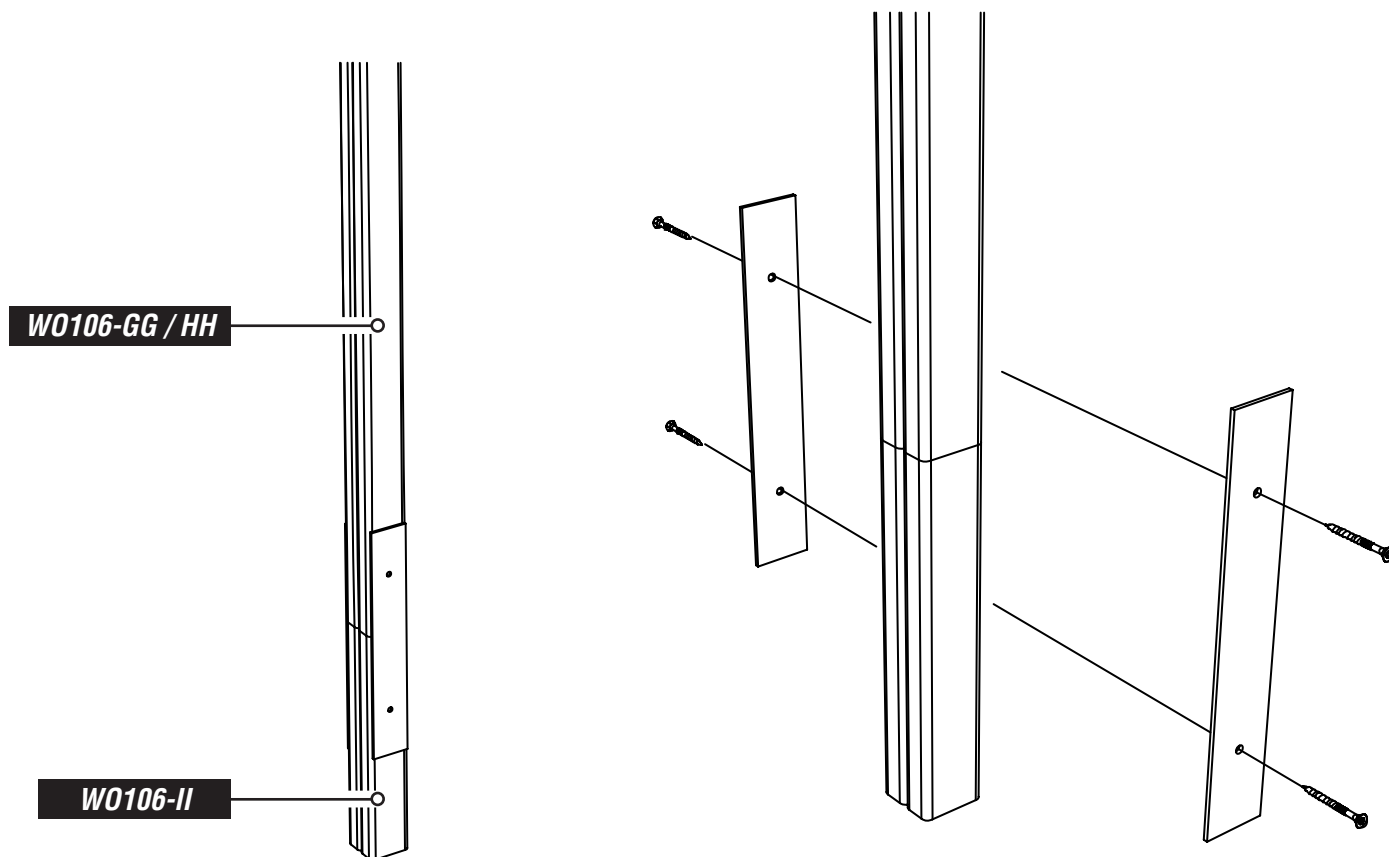
WO106 - EXTRA FIXINGS

M12X160 CUP SQUARE BOLTS

TOOLS REQUIRED

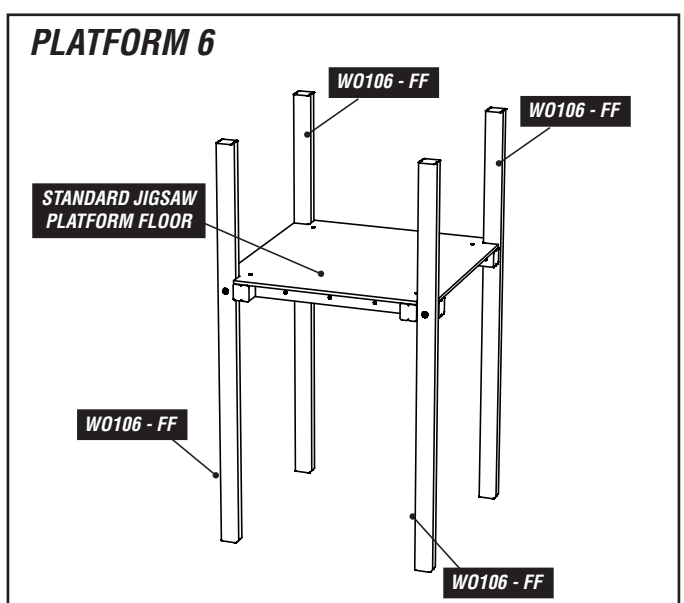
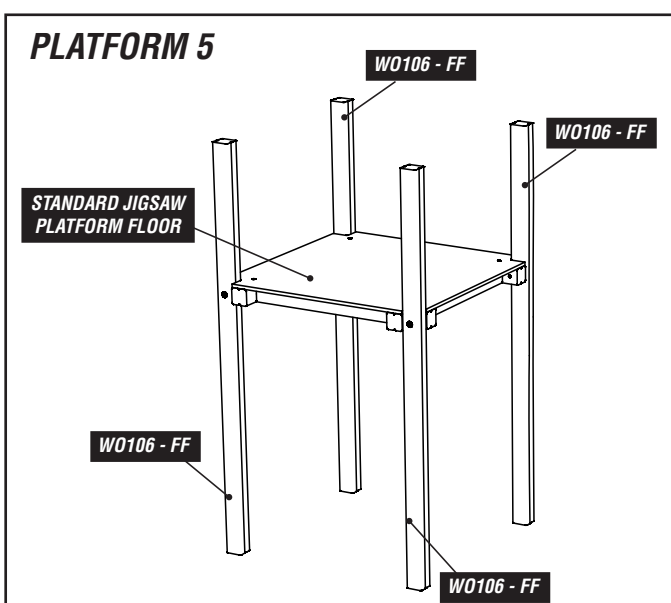
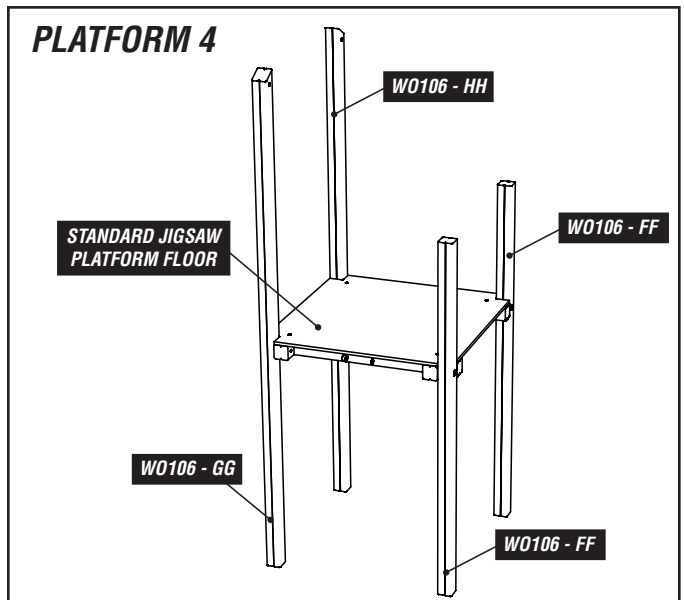
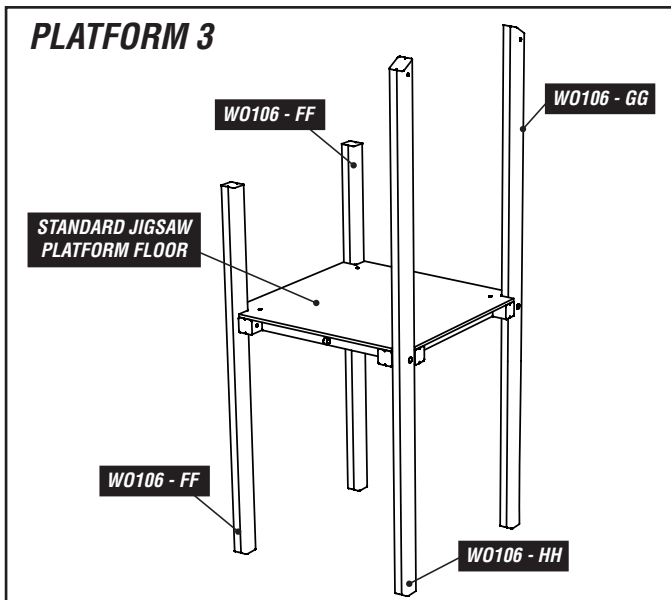
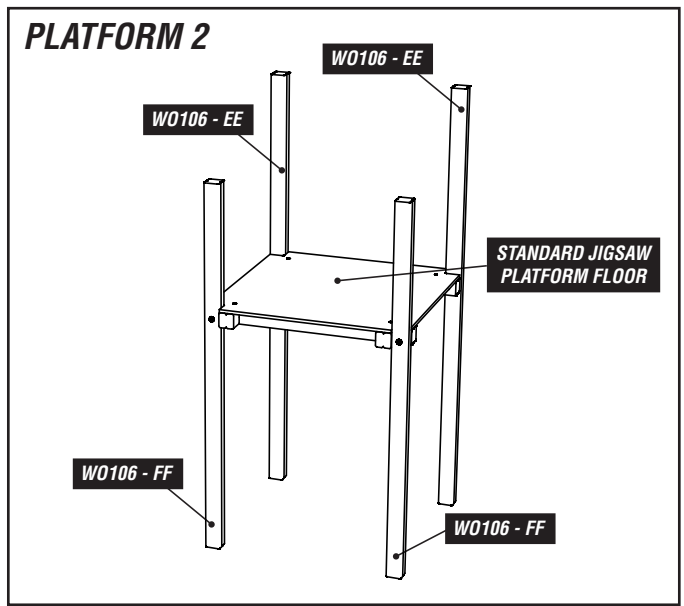
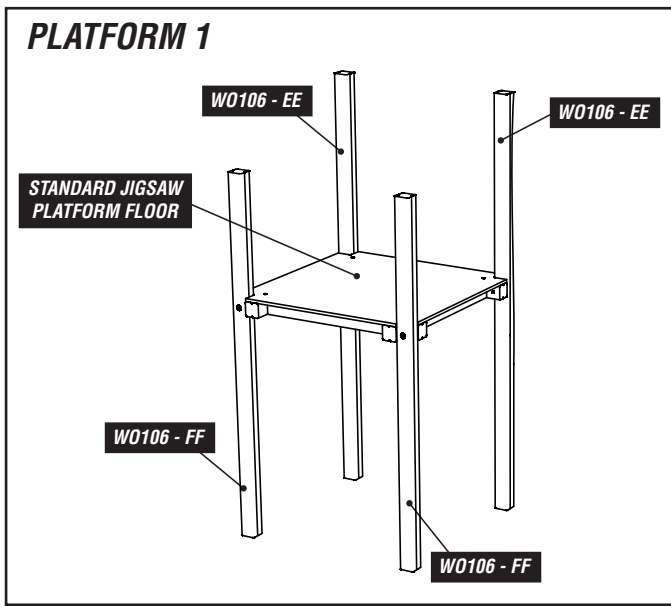


**ATTACH WO106-GG/HH AND WO106-II TIMBERS TOGETHER
USING EXTENSION PLATES / 97.M8X80CSK [X16]**



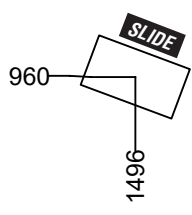
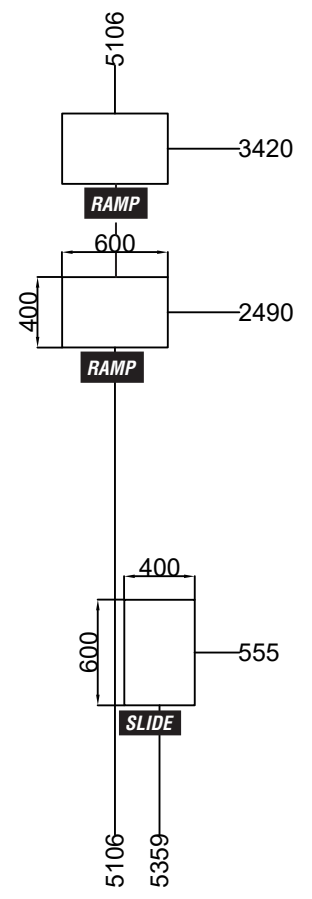
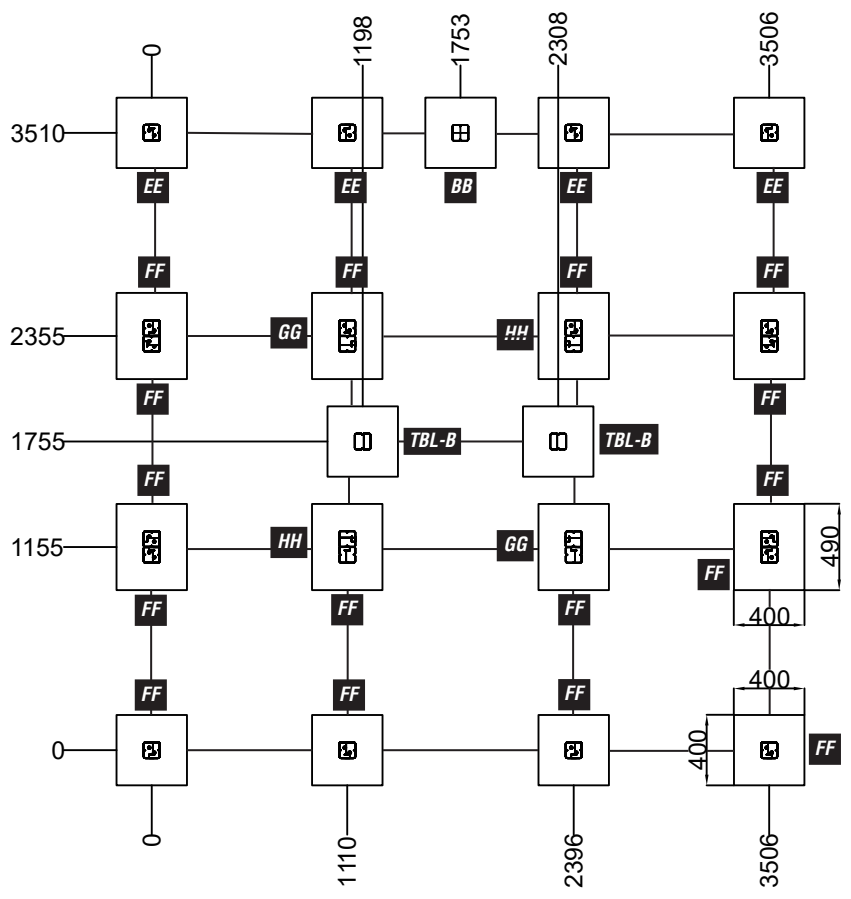
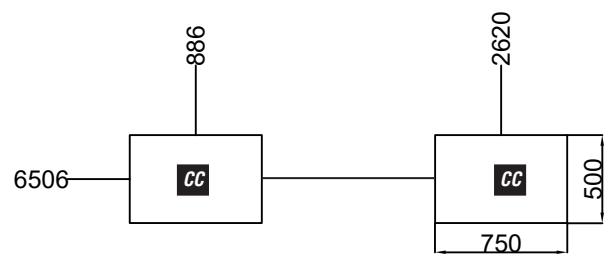
INSTALLATION INSTRUCTIONS

ATTACH STANDARD JIGSAW PLATFORM FLOOR AS PER STANDARD JIGSAW INSTRUCTIONS

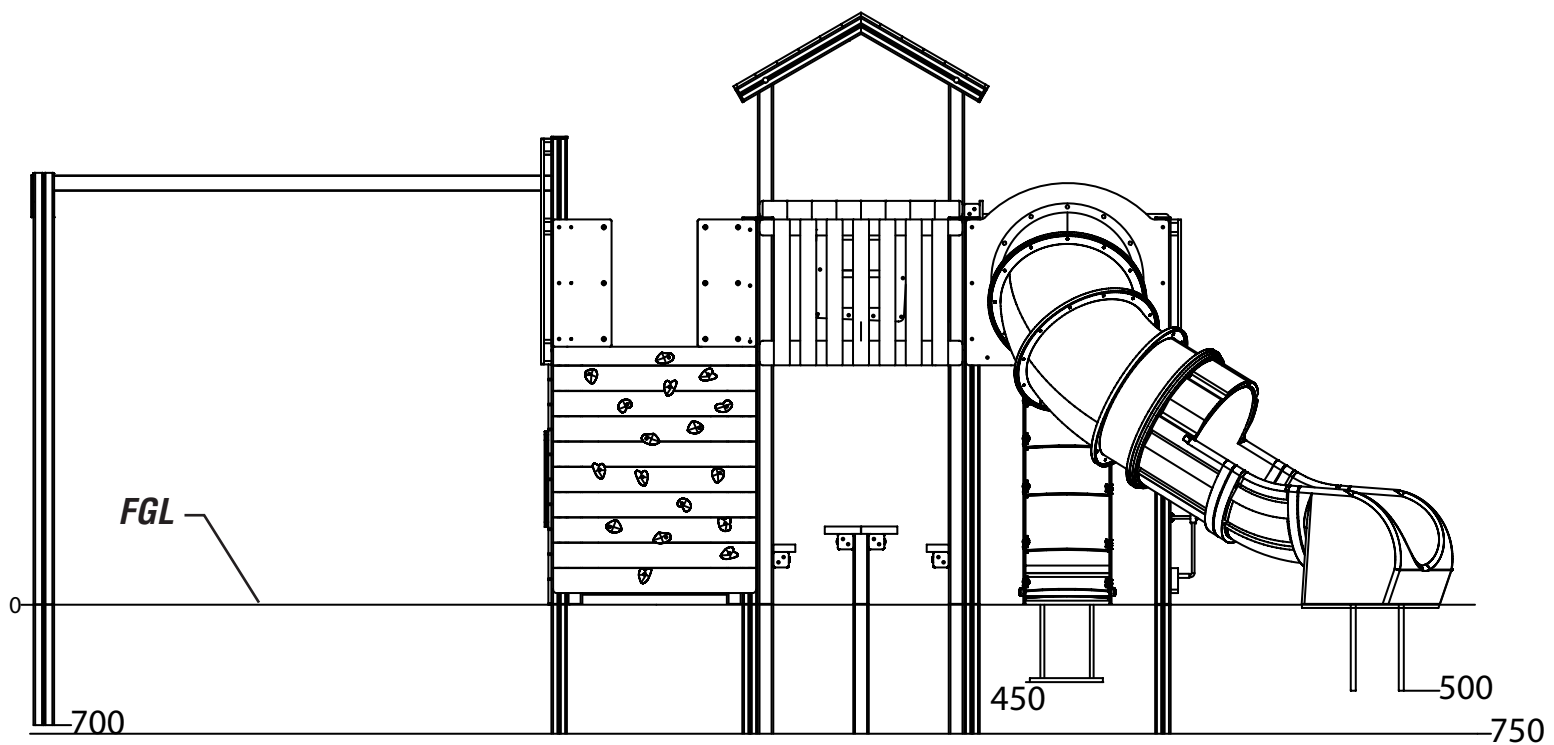


FOUNDATION DETAILS

NOTE: ALL TIMBERS TO BE POSITIONED IN CENTRE OF HOLES.



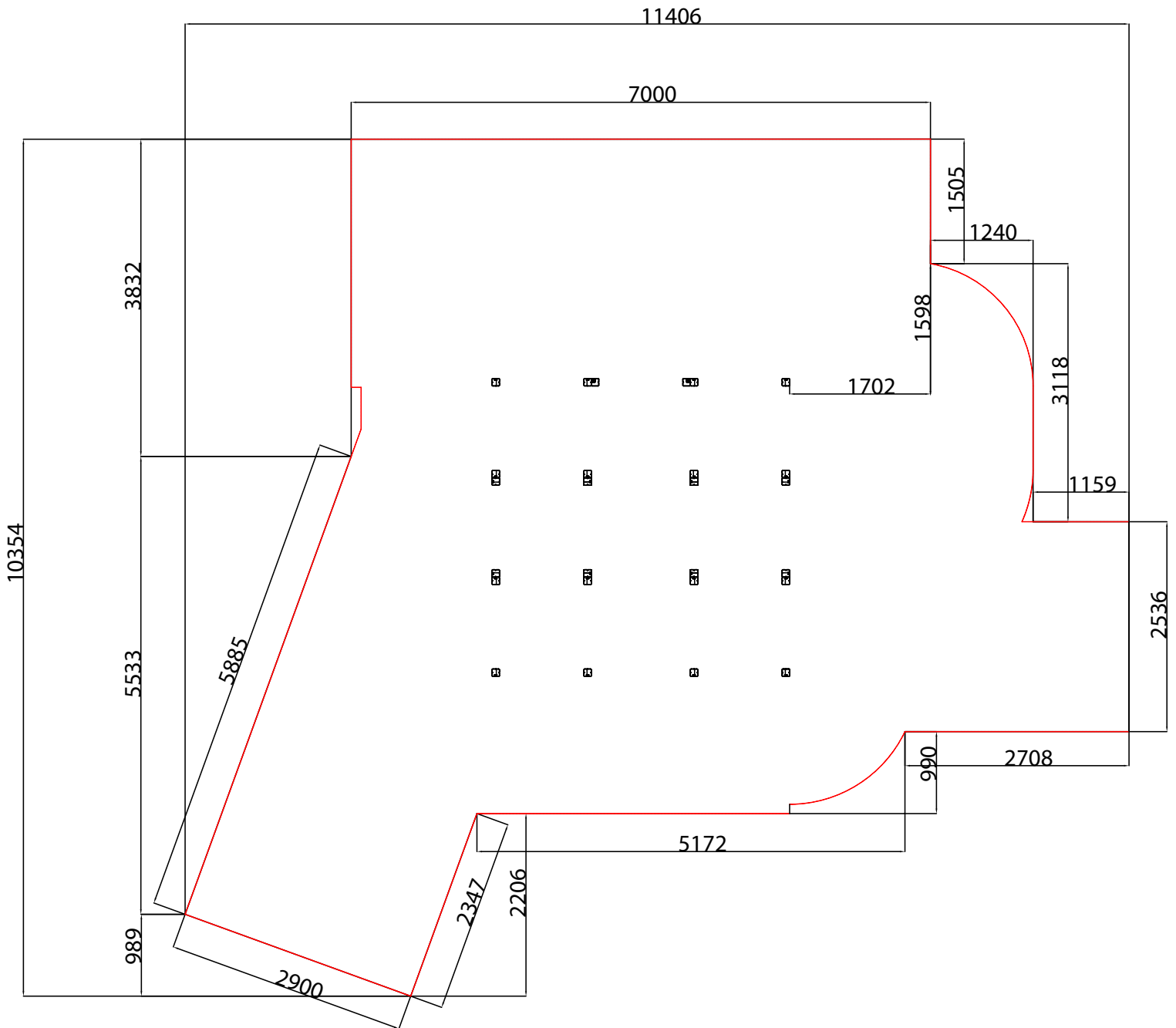
FOUNDATION DETAILS



SURFACING DETAILS

- - - - - = MINIMUM SPACE

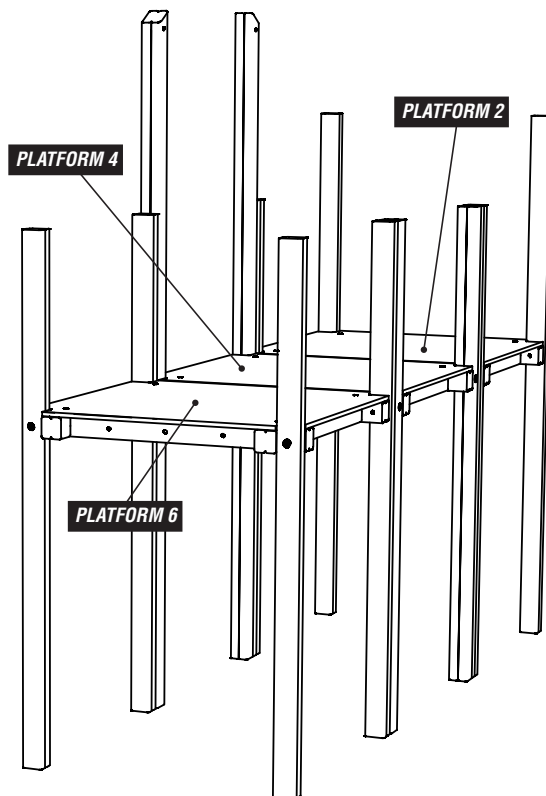
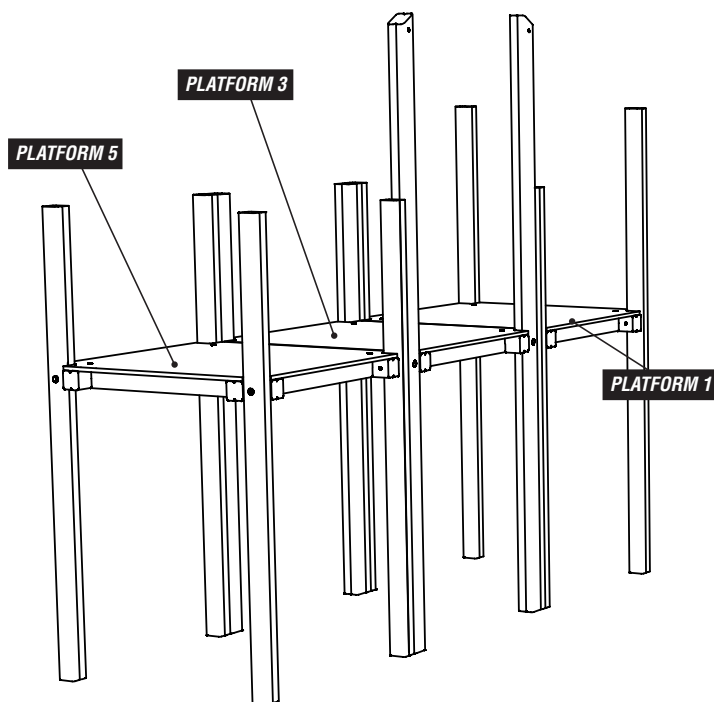
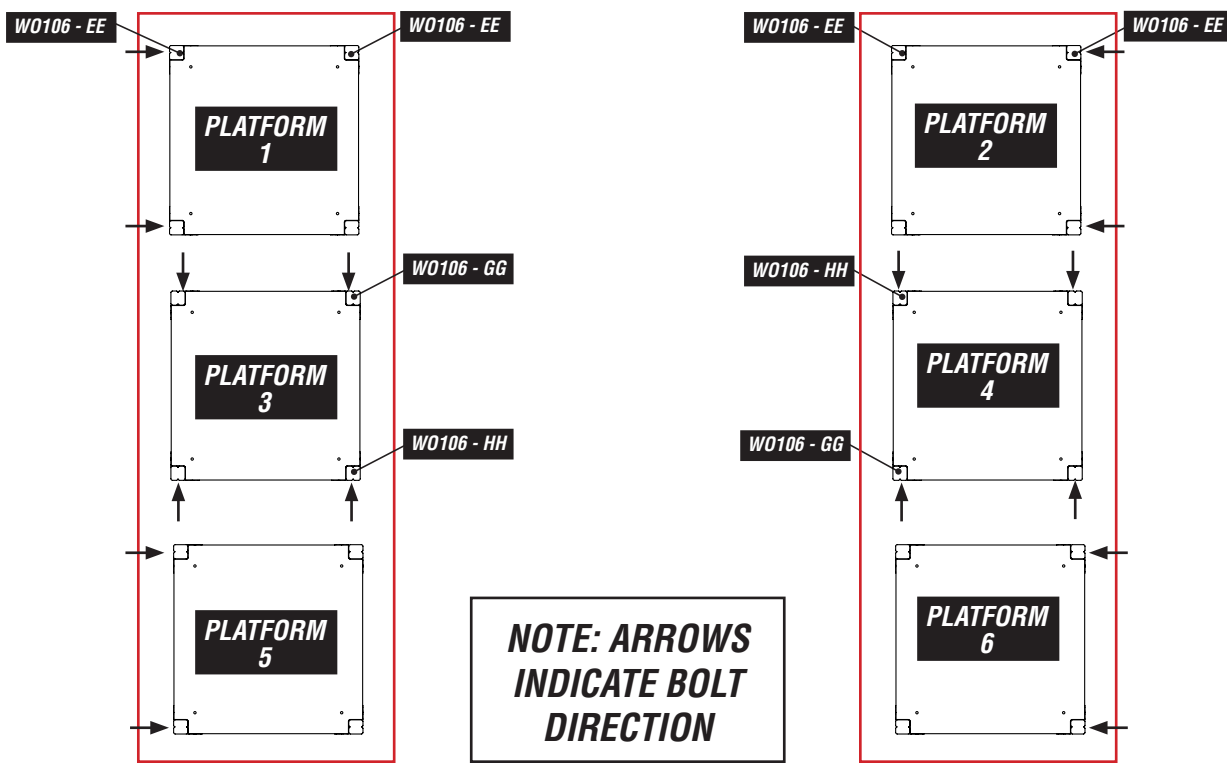
————— = SURFACE AREA



INSTALLATION INSTRUCTIONS

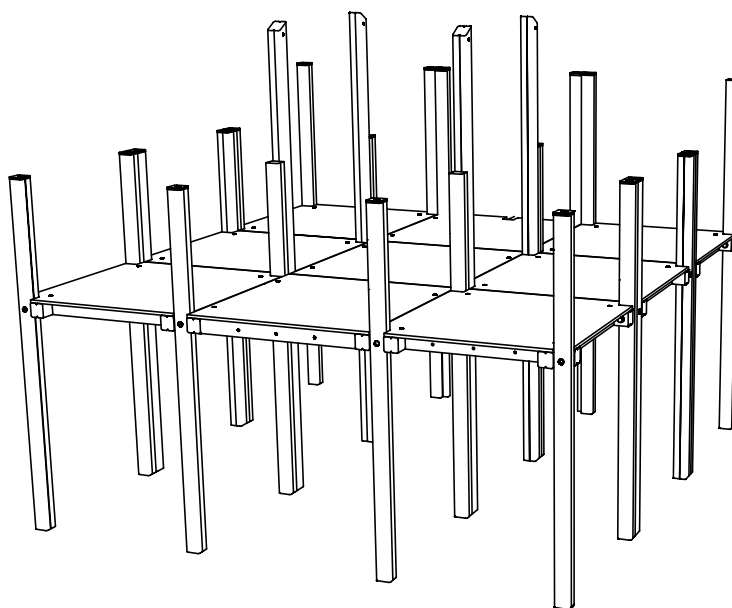
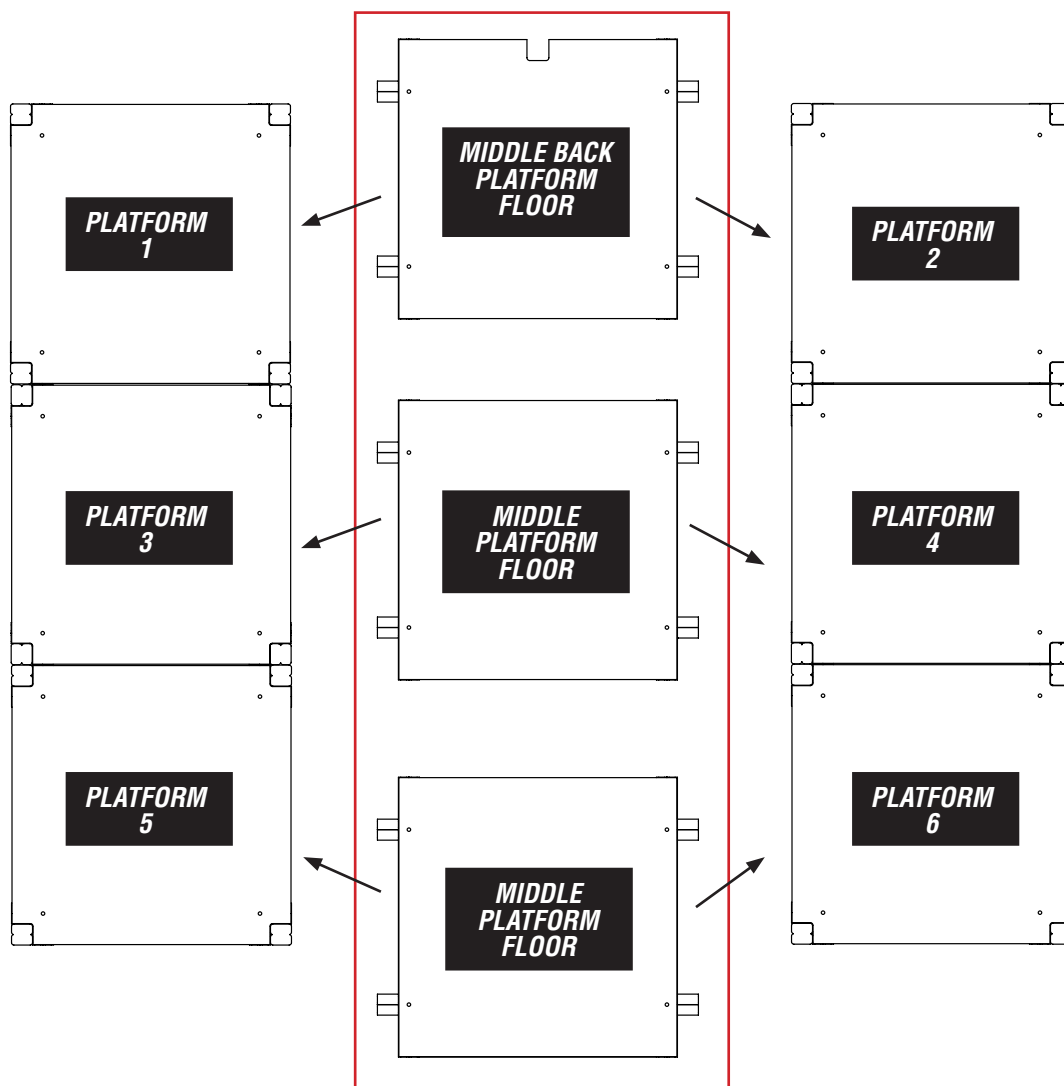
1 INSTALL PLATFORMS AS PER LAYOUT BELOW USING STANDARD JIGSAW PLATFORM INSTRUCTIONS

USING M12X180 [X16], M12 NYLOCS [X16] & END CAPS [X16]



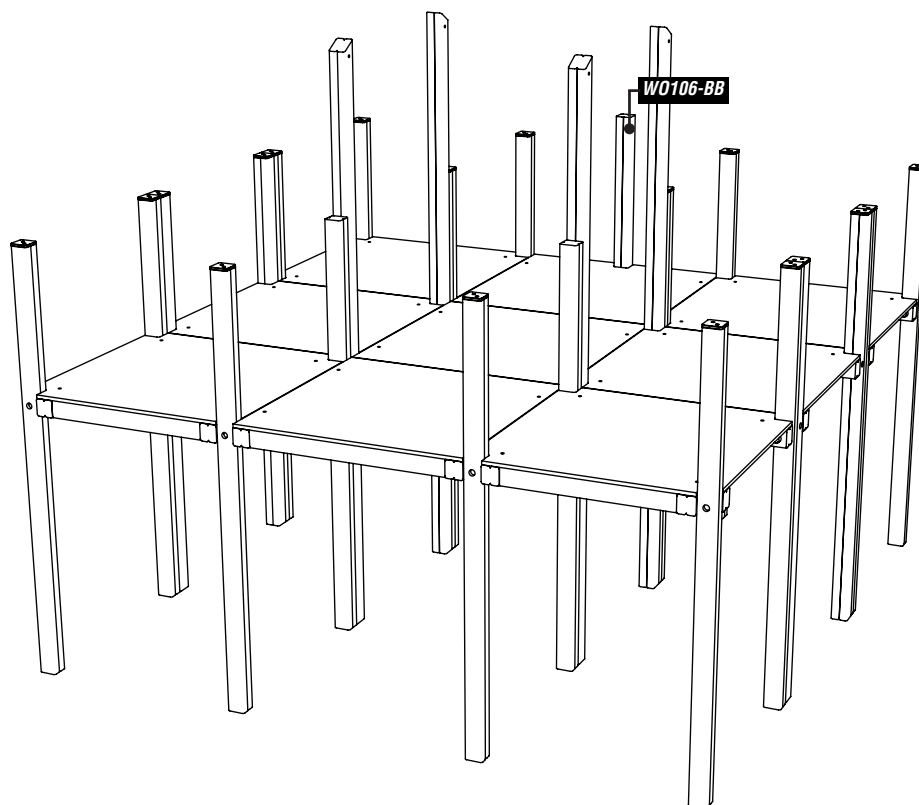
INSTALLATION INSTRUCTIONS

2 INSTALL MIDDLE PLATFORMS AS PER LAYOUT BELOW USING M12X180 [X12], M12 NYLOCS [X12] & END CAPS [X12]

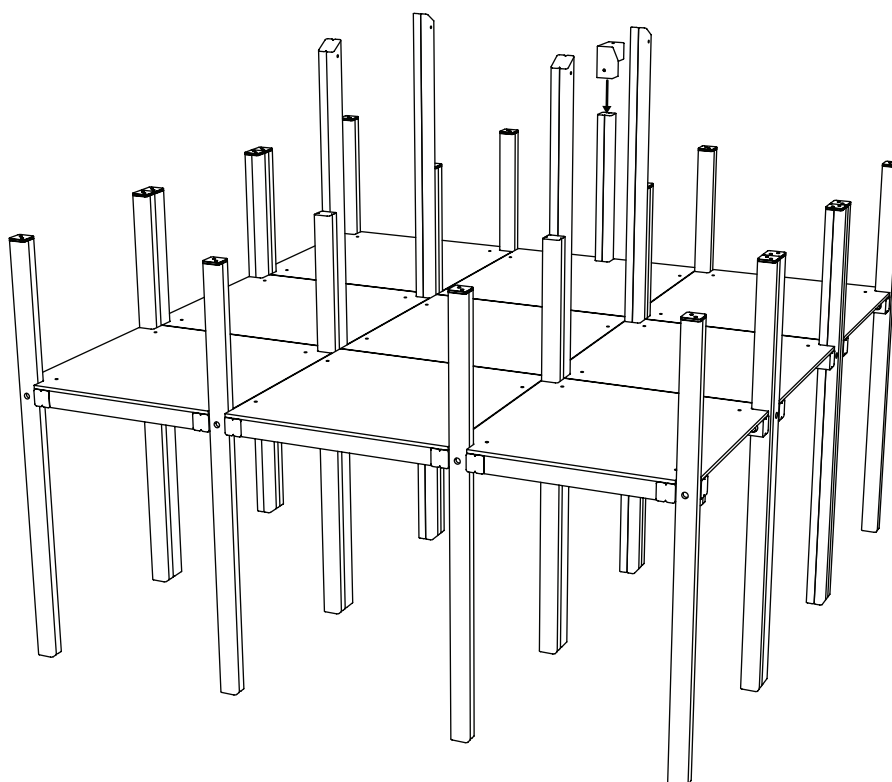


INSTALLATION INSTRUCTIONS

3 INSTALL W0106-BB INTO THE GROUND AS PER GROUND SCREW LAYOUT

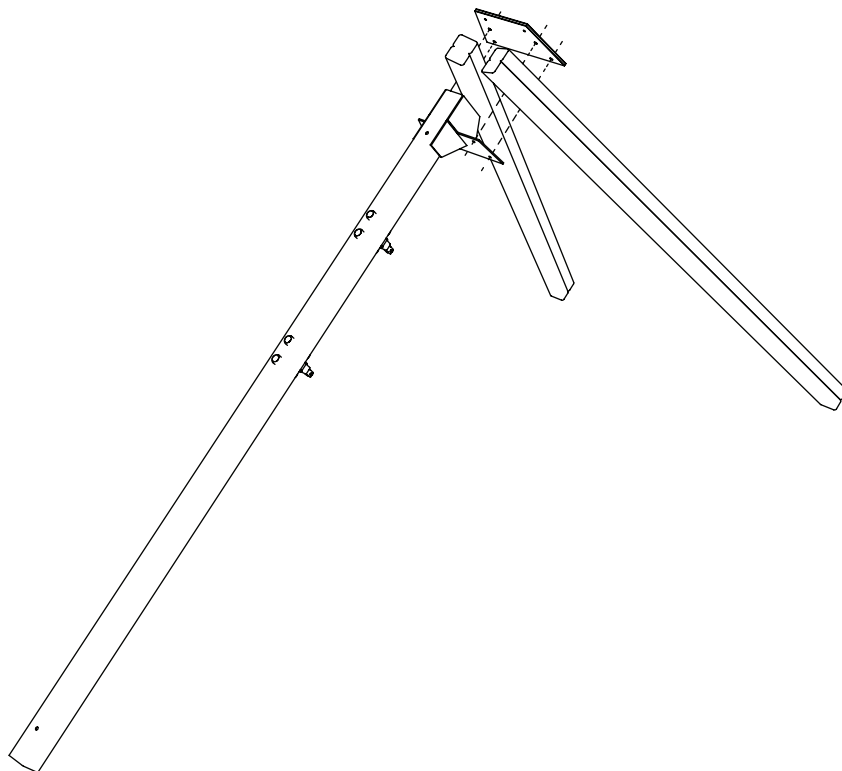


4 FIX 90° SWING BRACKET TO W0106-BB USING M12X160 BOLT [X1], NYLOC [X1] AND END CAP [X1]

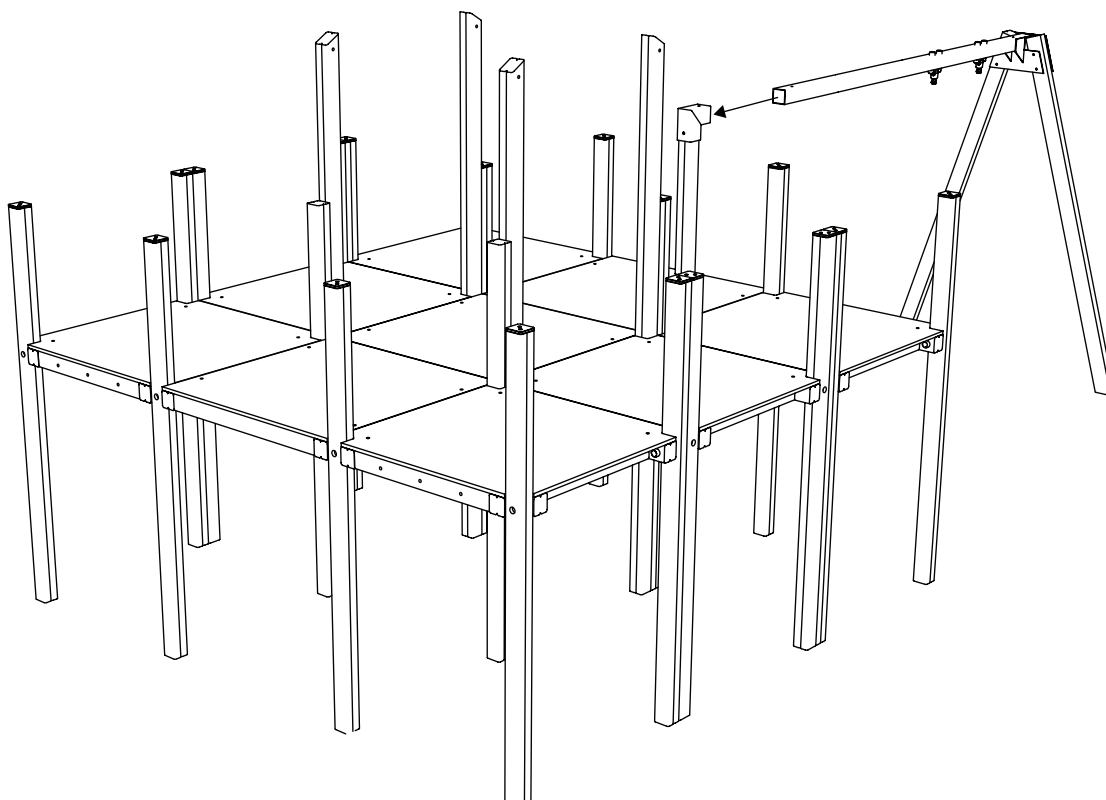


INSTALLATION INSTRUCTIONS

- 5** **ATTACH WO106-CC TO SWING METAL SUPPORT BEAM ASSEMBLY**
USING M12X160 BOLTS [X4], NYLOCS [X4], END CAPS [X4] AND M8X80 SCREWS [X2]



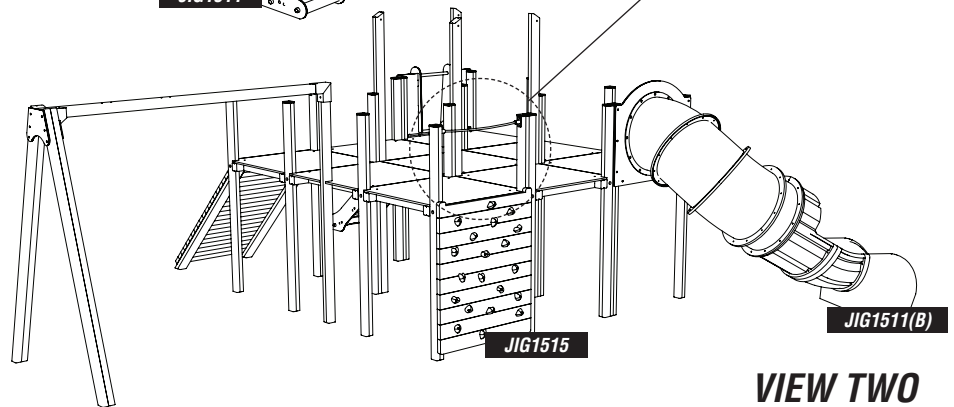
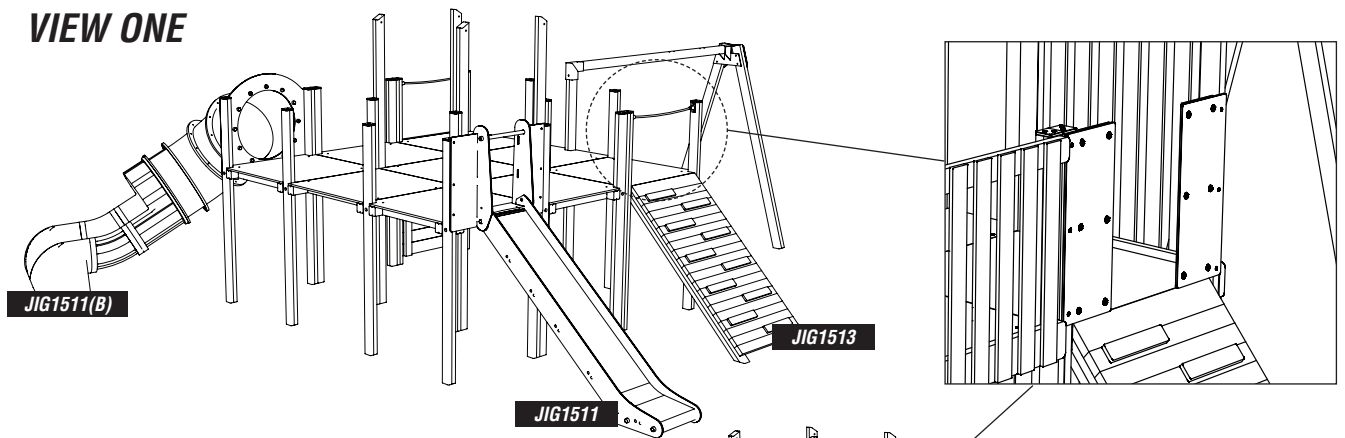
- 6** **ATTACH SWING ASSEMBLY TO 90° SWING BRACKET**
USING M12X160 BOLT [X1], NYLOC [X1], END CAP [X1]



INSTALLATION INSTRUCTIONS

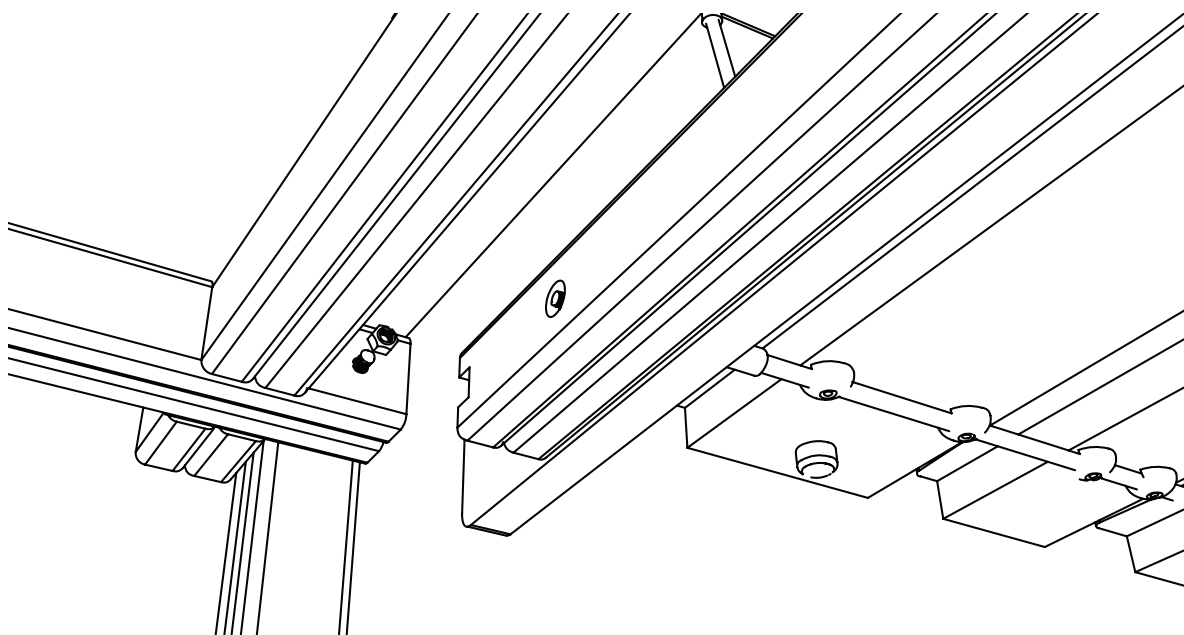
7 **INSTALL ALL STANDARD JIGSAW PLAY PARTS SHOWN BELOW**
AS PER STANDARD INSTRUCTIONS - PLEASE NOTE PVIOUS PRODUCT VISUAL USED BELOW. ROPE HAS BEEN REPLACED WITH PLAYTECH SIDES.

VIEW ONE



VIEW TWO

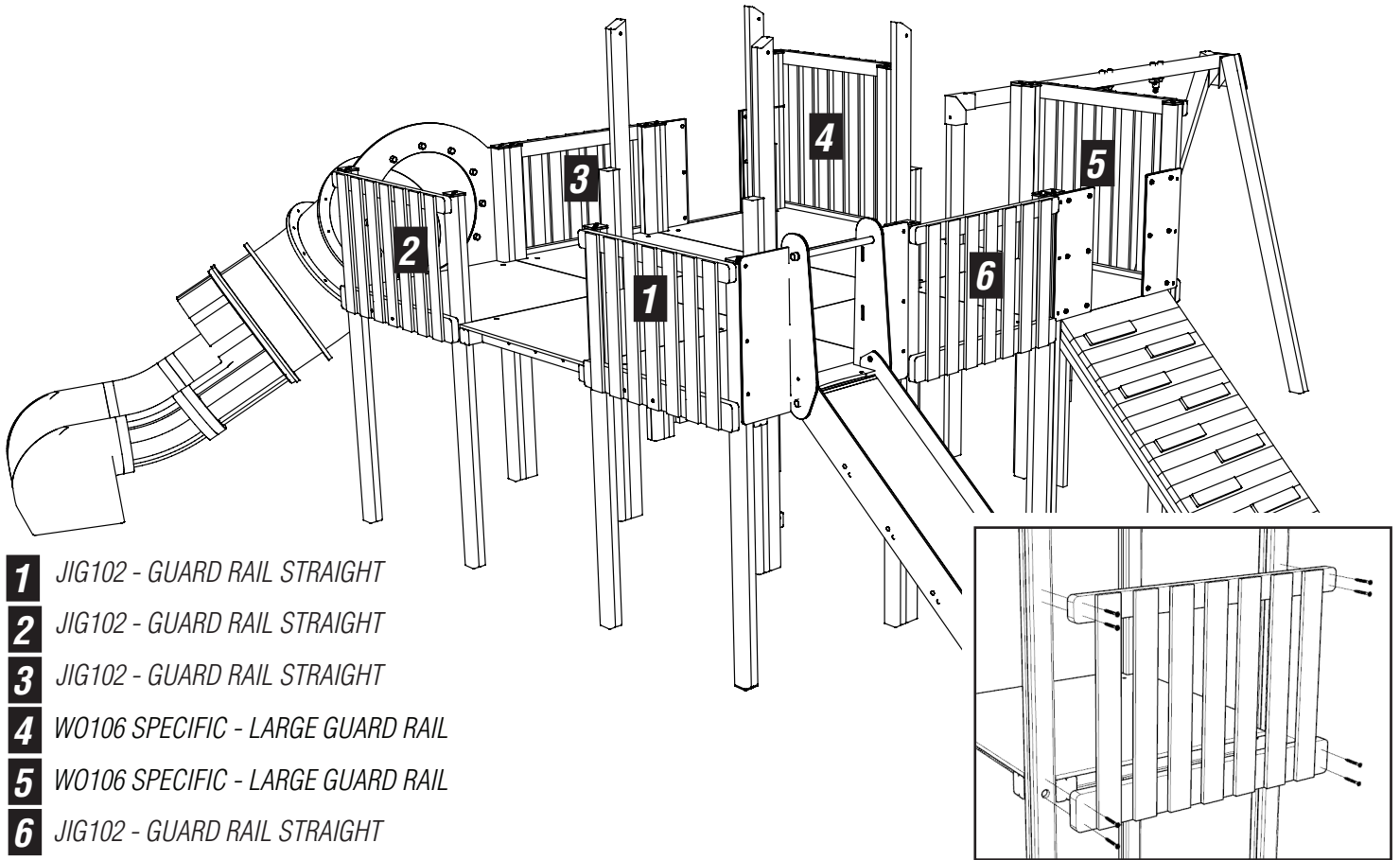
7a **PLEASE NOTE - END CAPS MAY NOT BE REQUIRED**
SOME ATTACHEMENT PARTS MEAN END CAPS ARE NOT REQUIRED



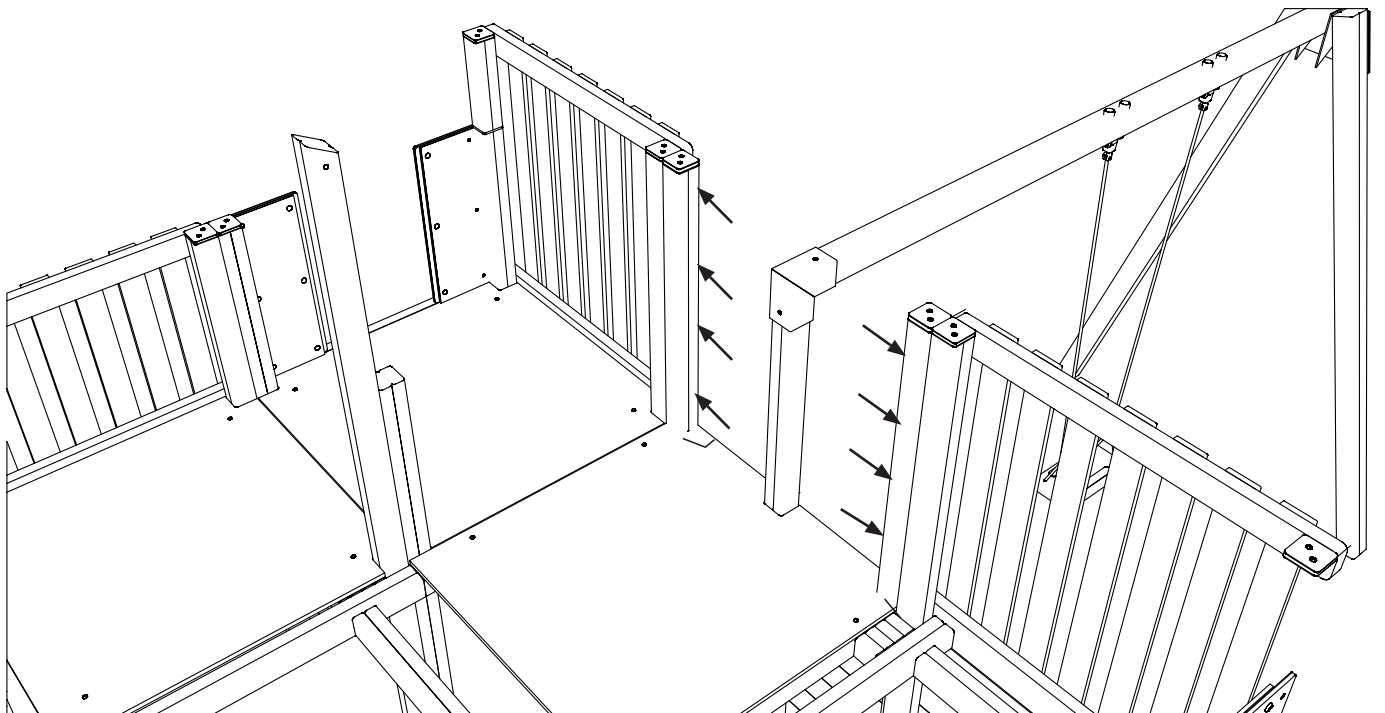
NOTES:
TIMBER SUPPORT IS CUT TO FIT AROUND THE NYLOC - CIRCLED ABOVE

INSTALLATION INSTRUCTIONS

8 **INSTALL GUARD RAILS AS PER STANDARD INSTUCTIONS AND LOCATIONS SHOWN**
USING M8X80 [X8] FOR EACH GUARD RAIL. UNIT SHOULD LOOK LIKE THIS.

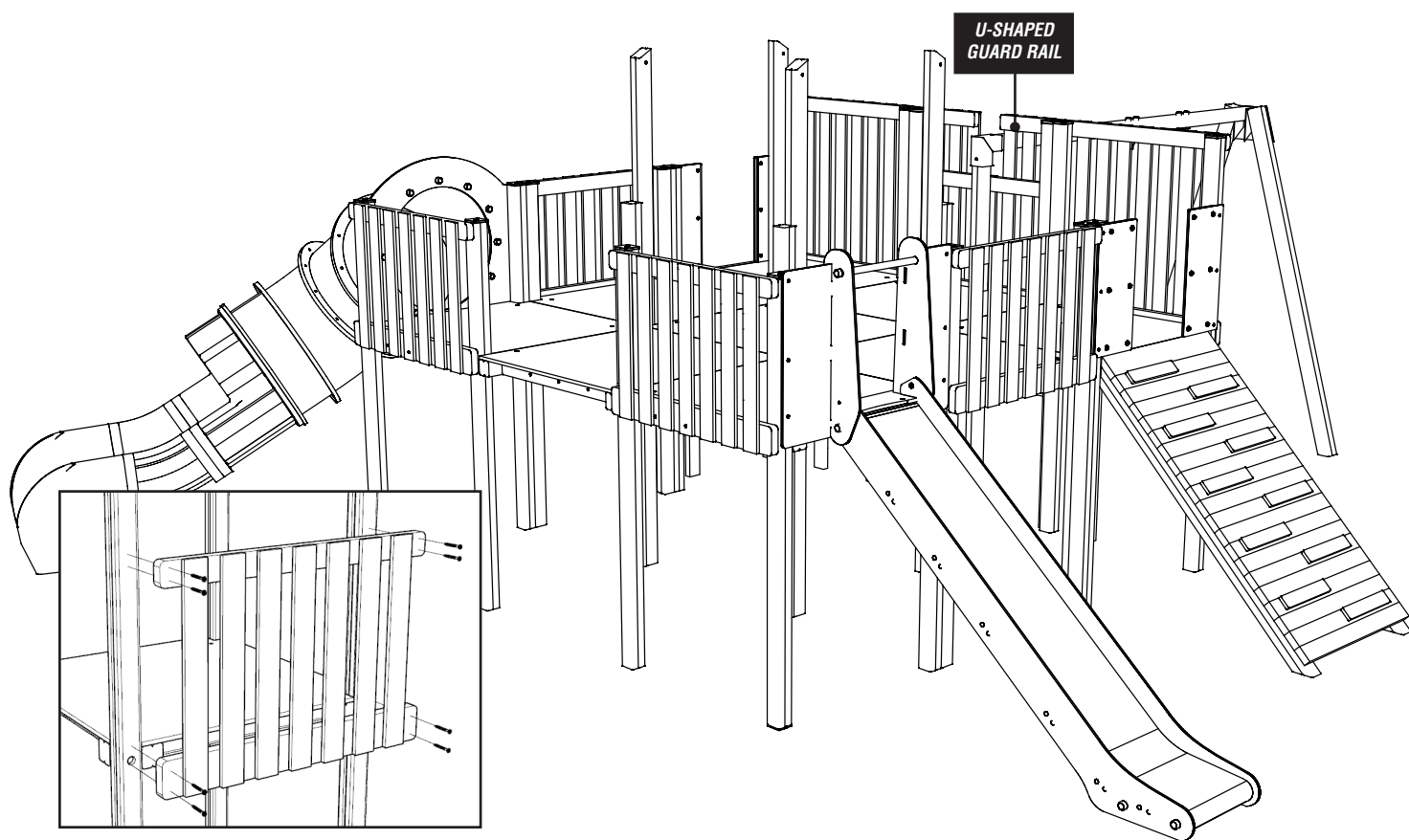


9 **ATTACH 2X W0106-DD TIMBERS TO LEFT AND RIGHT CENTRAL UPRIGHTS**
USING M8X180 SCREWS [X8]

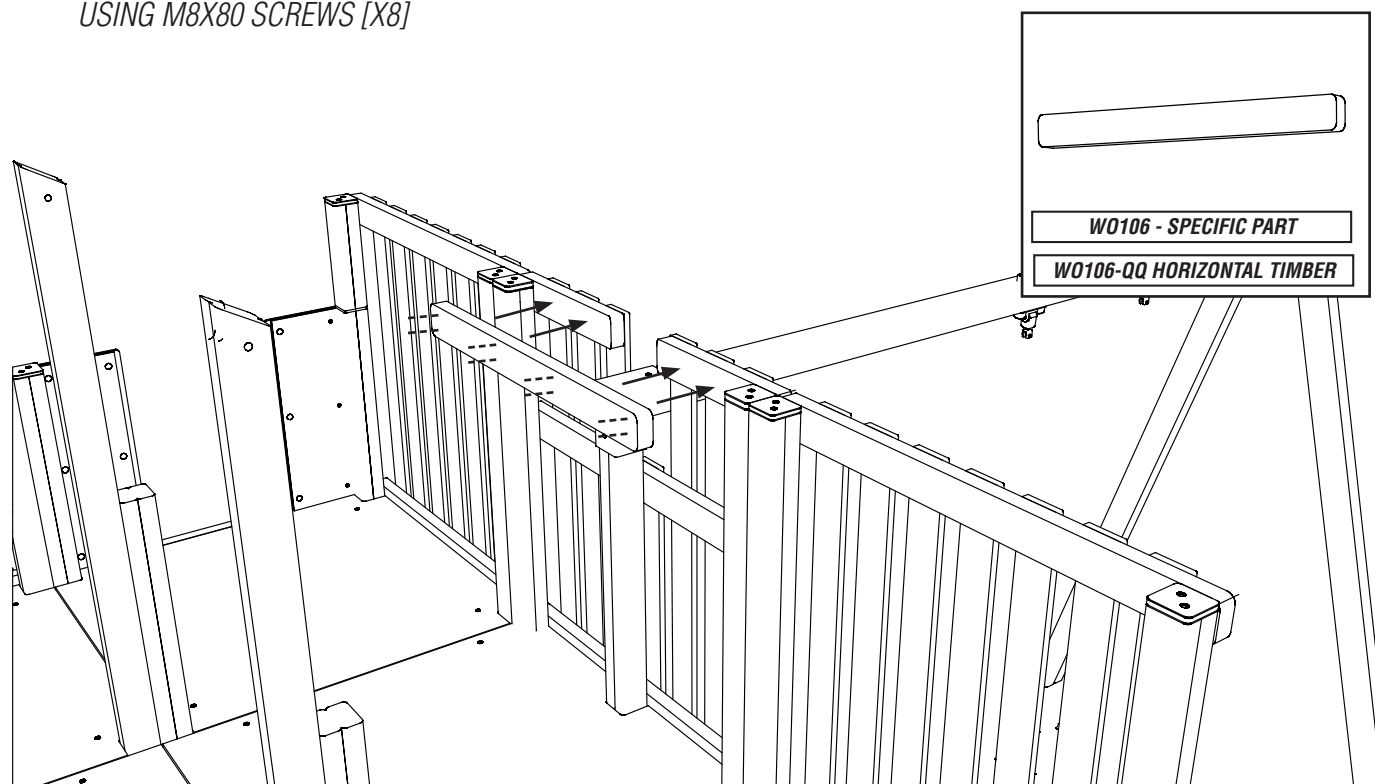


INSTALLATION INSTRUCTIONS

10 INSTALL U-SHAPED GUARD RAIL TO WO106-DD USING M8X80 SCREWS [X8]

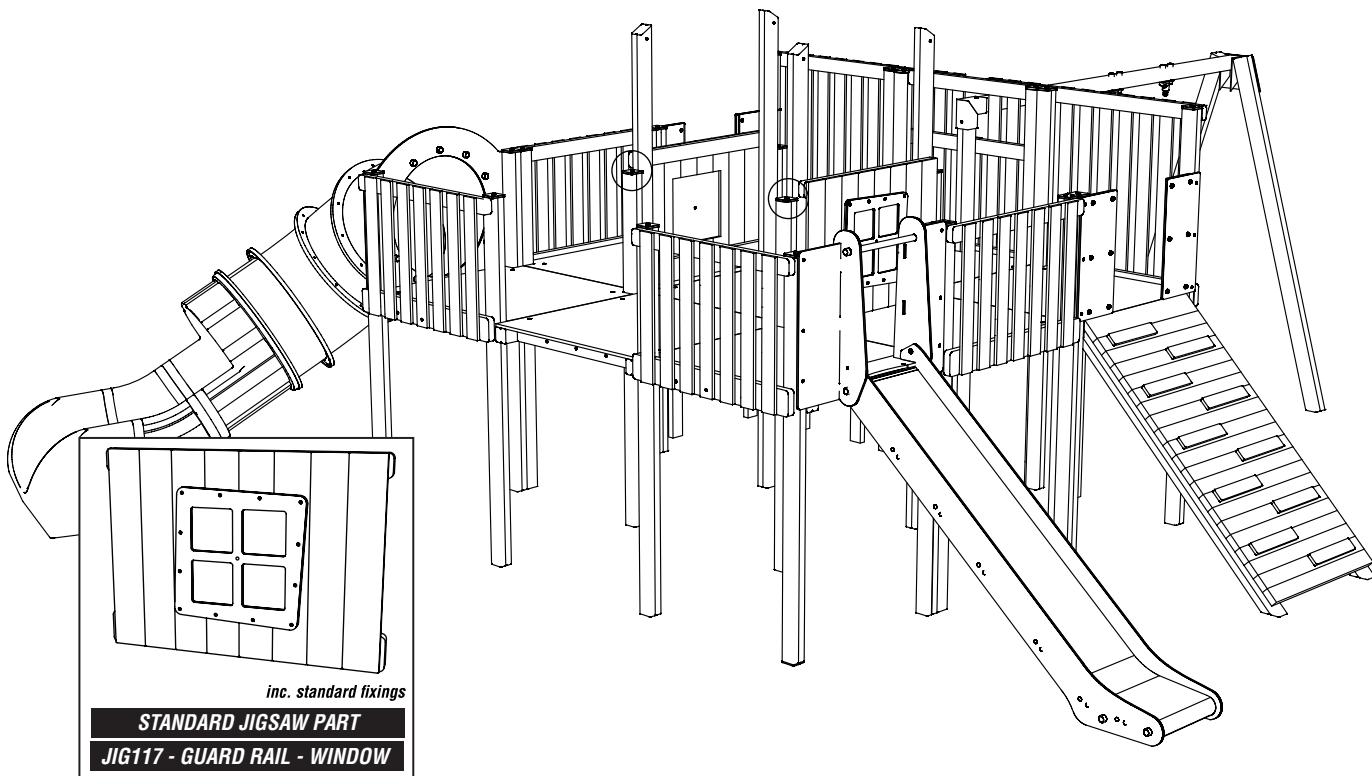


11 ATTACH WO106-QQ HORIZONTAL TIMBER CENTRALLY ACROSS U-SHAPED GUARD RAIL, TO CLOSE GAP AS SHOWN BELOW USING M8X80 SCREWS [X8]

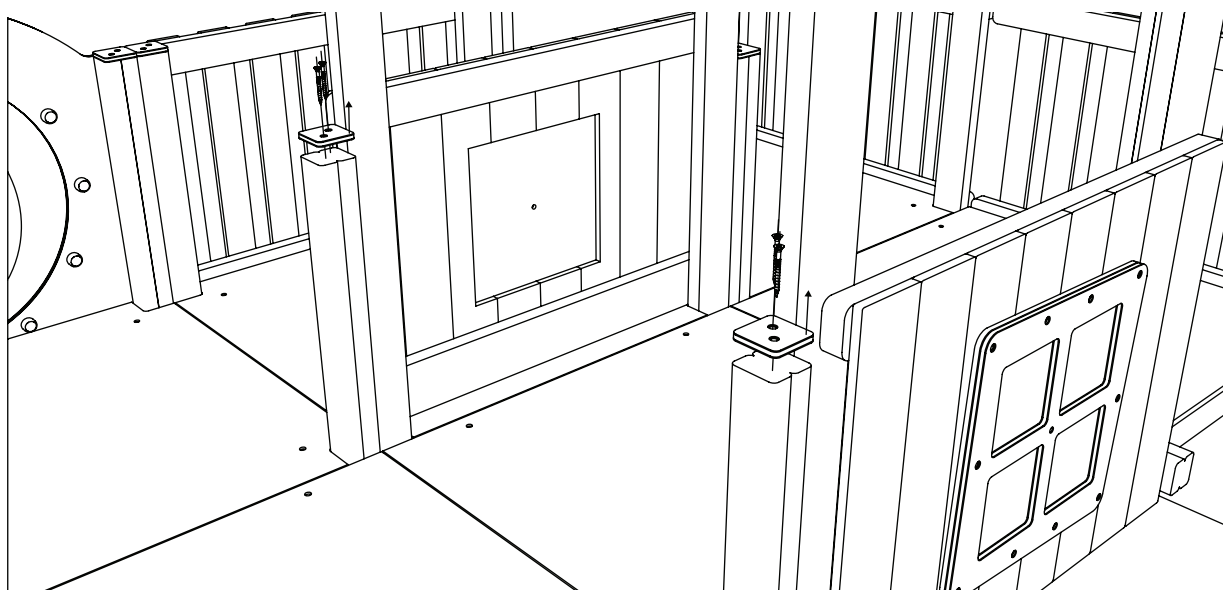


INSTALLATION INSTRUCTIONS

12 ATTACH 2X JIG117 AS PER STANDARD INSTRUCTIONS IN LOCATIONS SHOWN
USING STANDARD PARTS

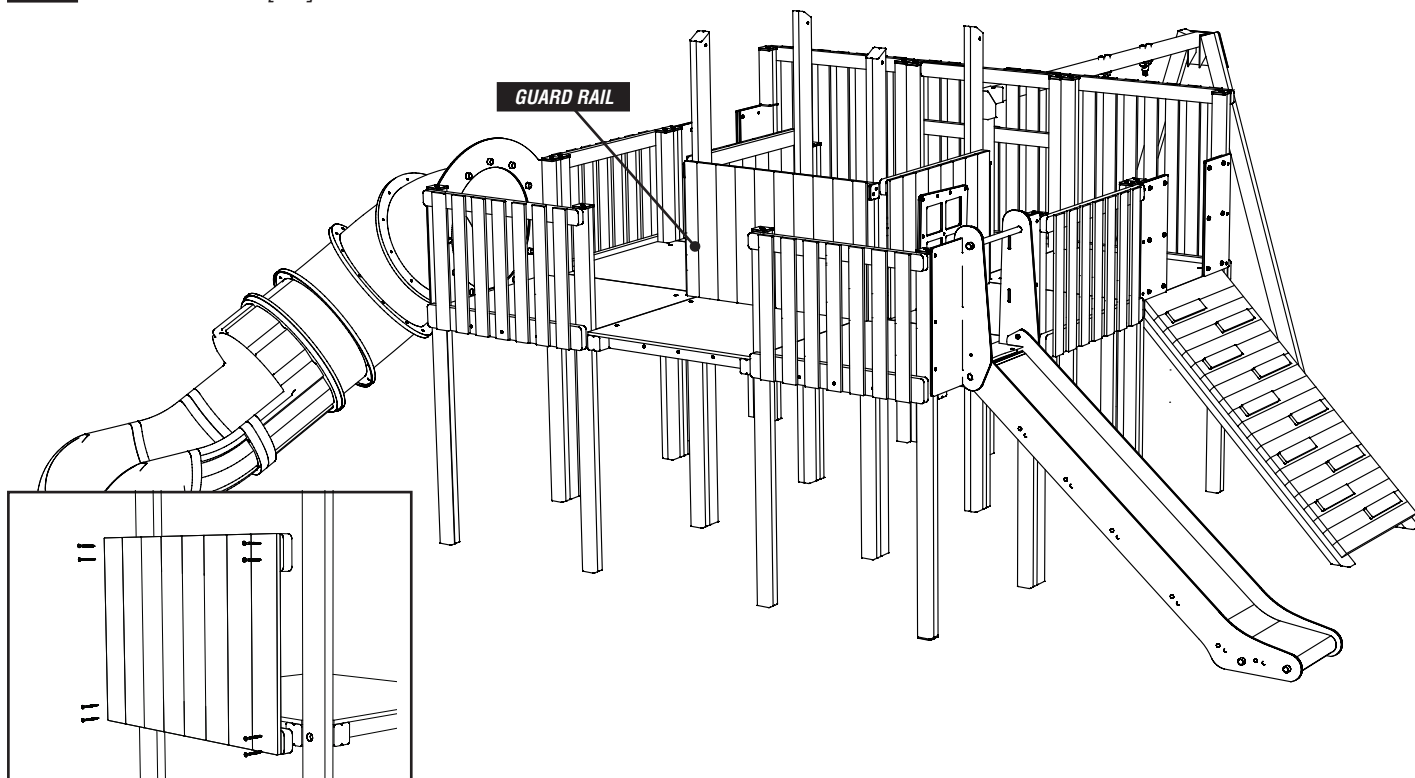


13 REMOVE 2X ENDCAPS (CIRCLED ABOVE)

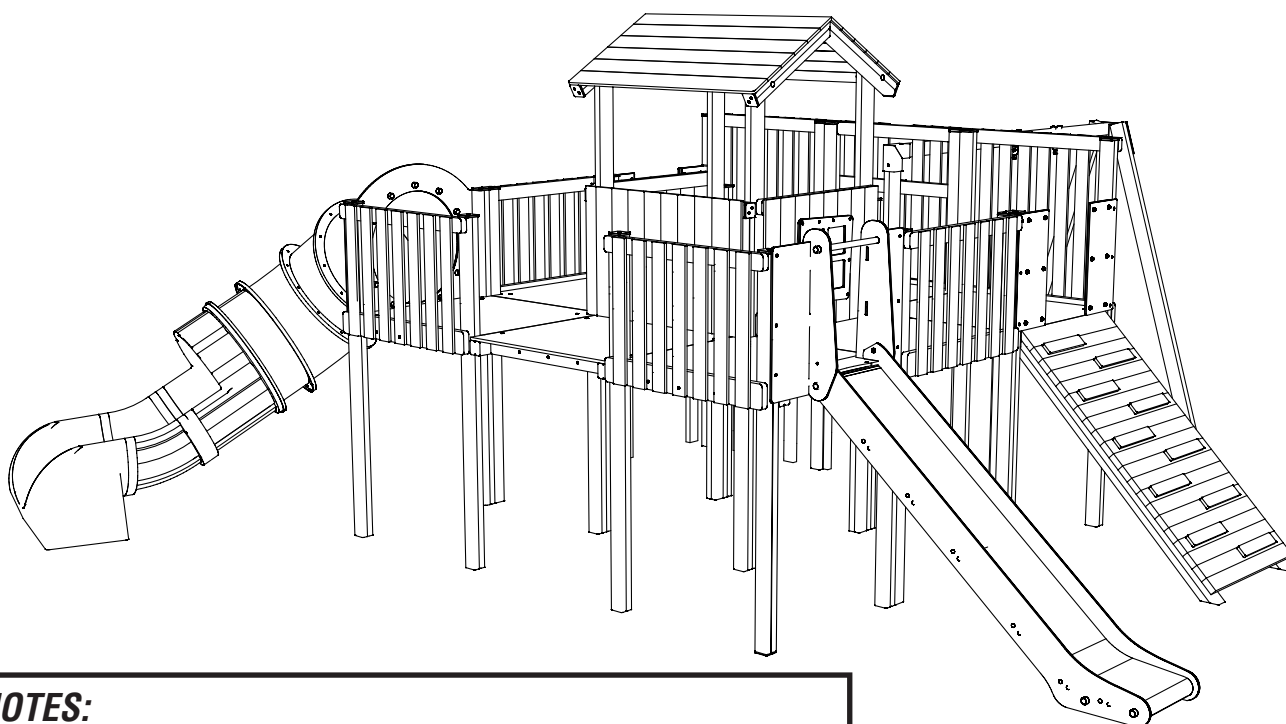


INSTALLATION INSTRUCTIONS

14 ATTACH WO106 SPECIFIC GUARD RAIL. USING M8X80 [X8]



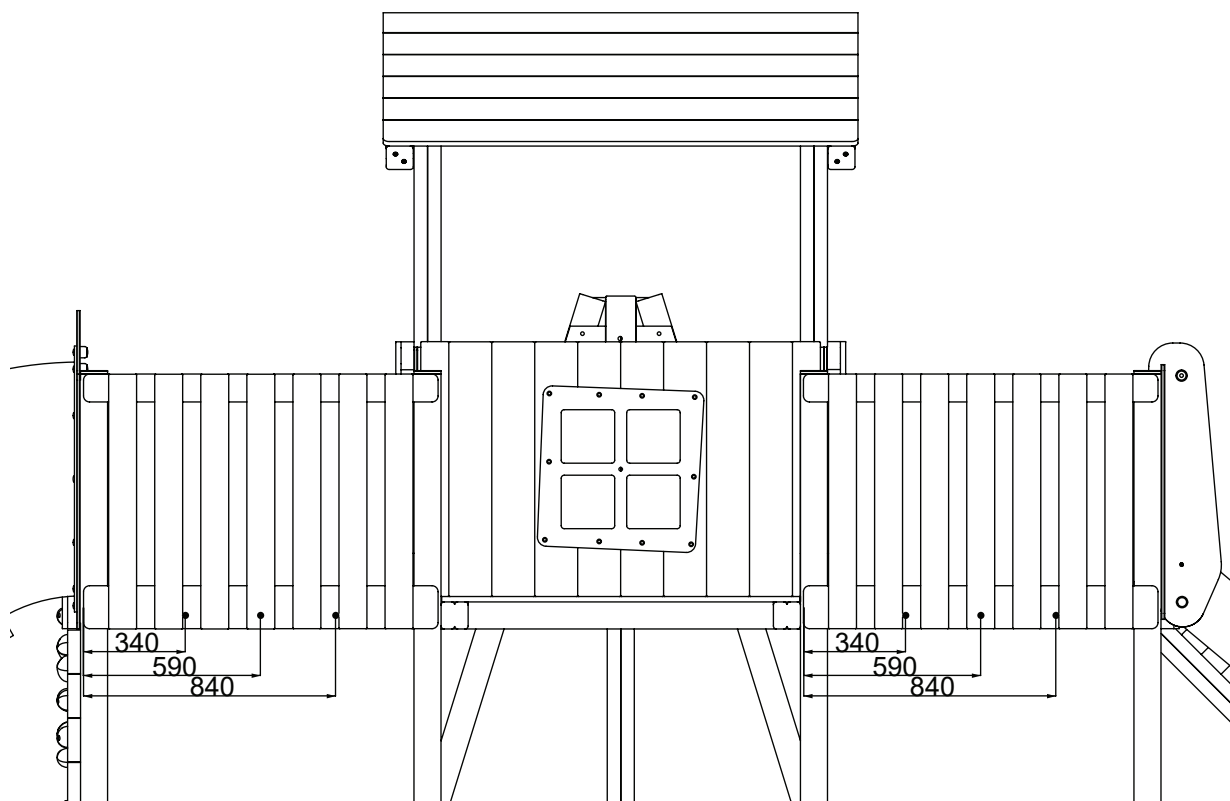
15 FIX WO106 SPECIFIC ROOF TO CENTRAL UPRIGHTS USING STANDARD PARTS



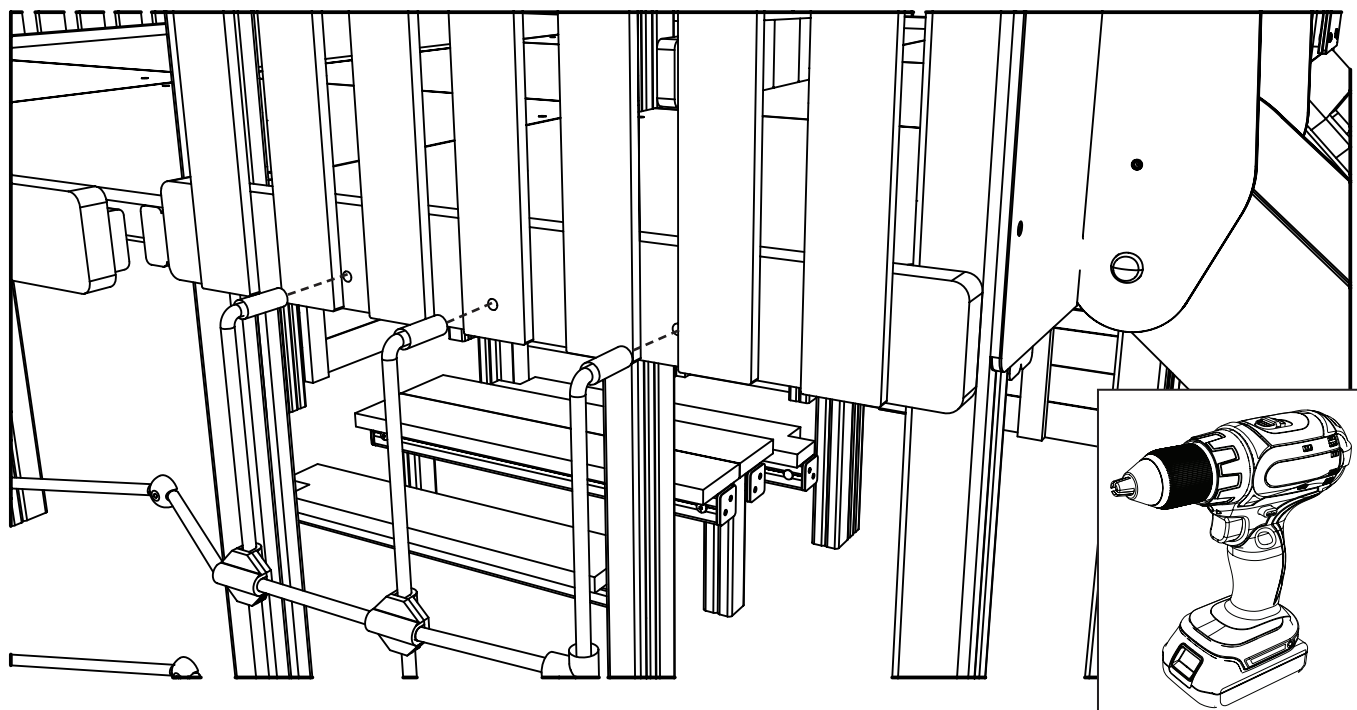
NOTES:
ASSEMBLE AS PER STANDARD INSTALL INSTRUCTIONS (JIG103)

INSTALLATION INSTRUCTIONS

16 MARK ROPE LOCATION ON JIG102 - GUARD RAIL AS SHOWN BELOW.

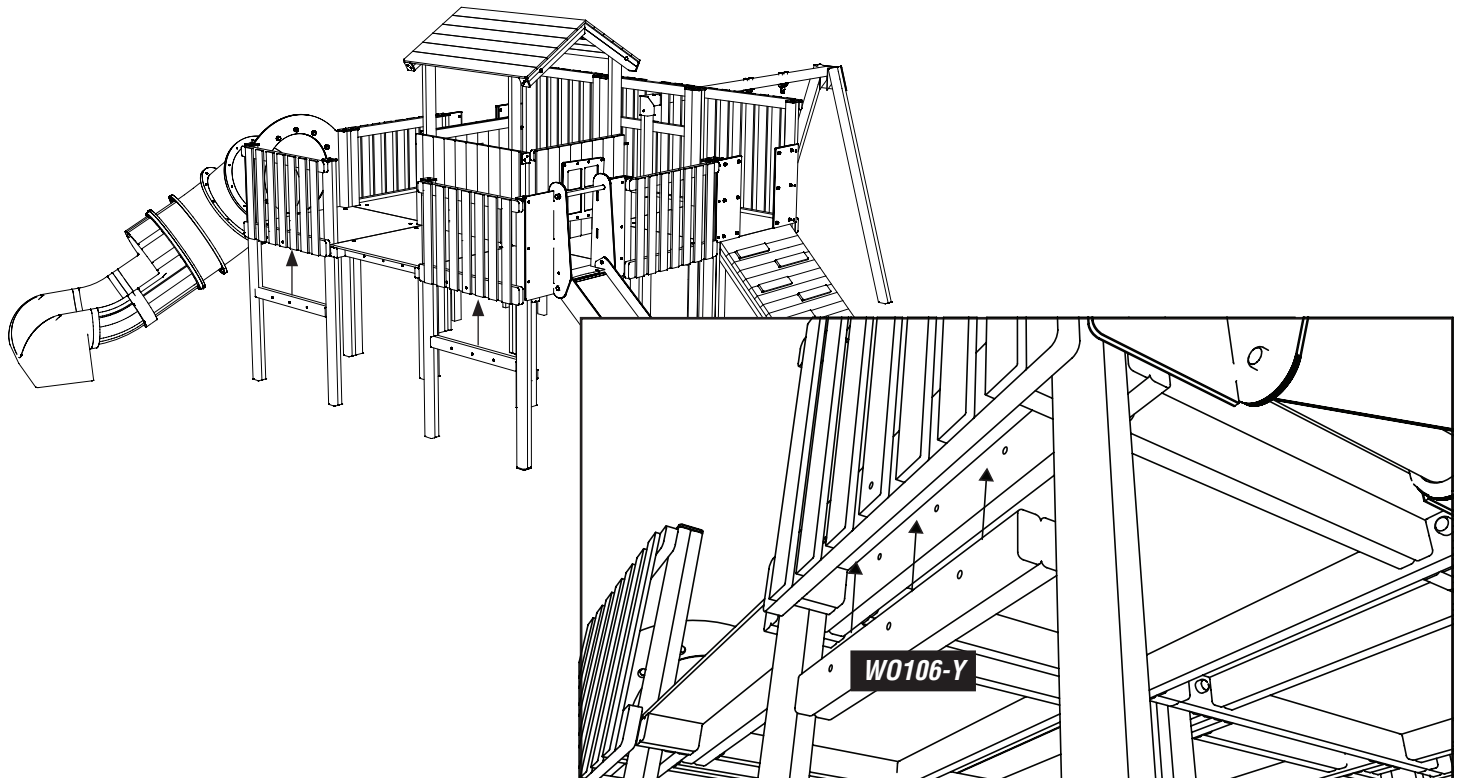


17 CHECK LOCATION AGAINST ROPE AND DRILL HOLES THROUGH JIG102 - GUARD RAIL

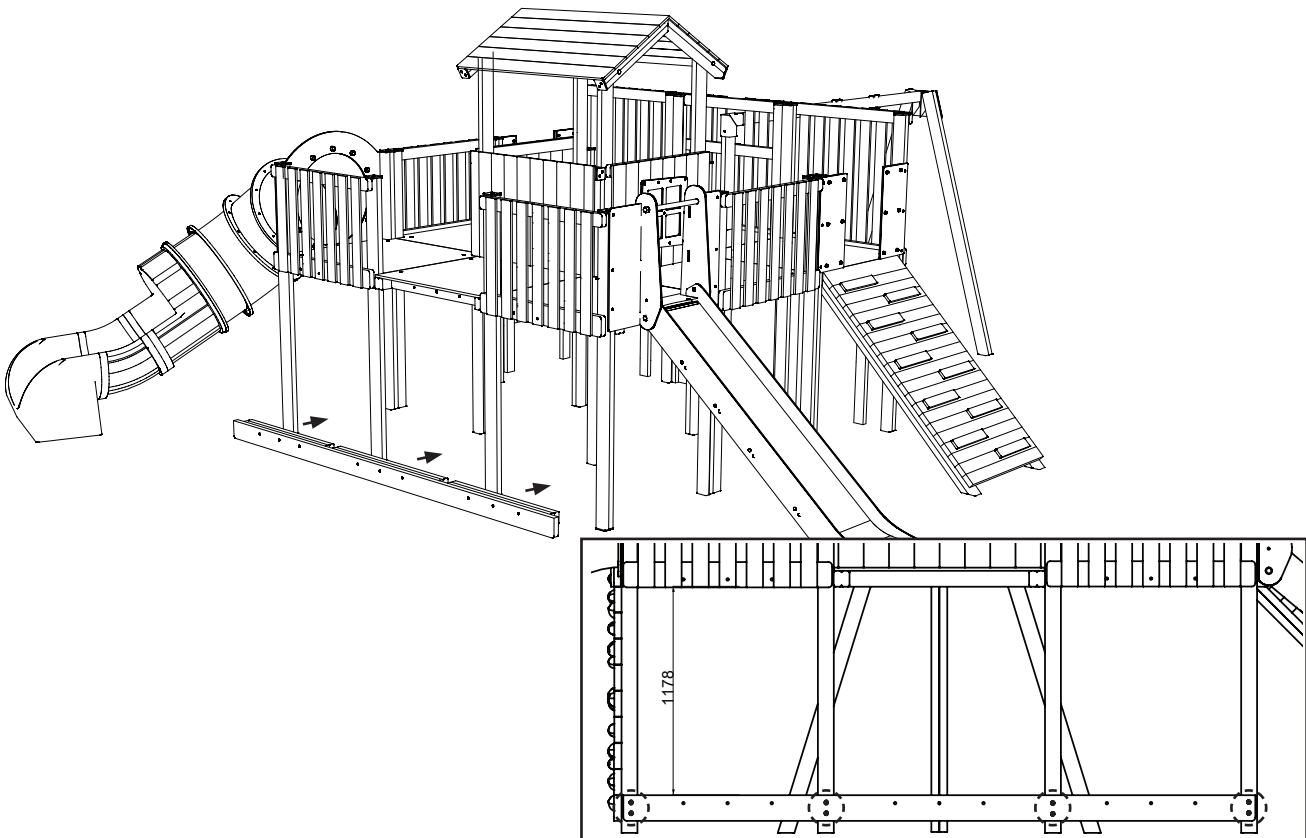


INSTALLATION INSTRUCTIONS

- 18** **INSTALL WO106-Y TIMBER IN BETWEEN GUARD RAIL AND PLATFORM FLOOR TIMBER**
ENSURE HOLES LINE UP AND CROSS SCREW WITH M8X180 SCREWS [X6]



- 19** **INSTALL NET TIMBER ASSEMBLY TO UPRIGHTS 1178MM FROM BASE OF GUARD RAIL - USING M8X80 [X8]**

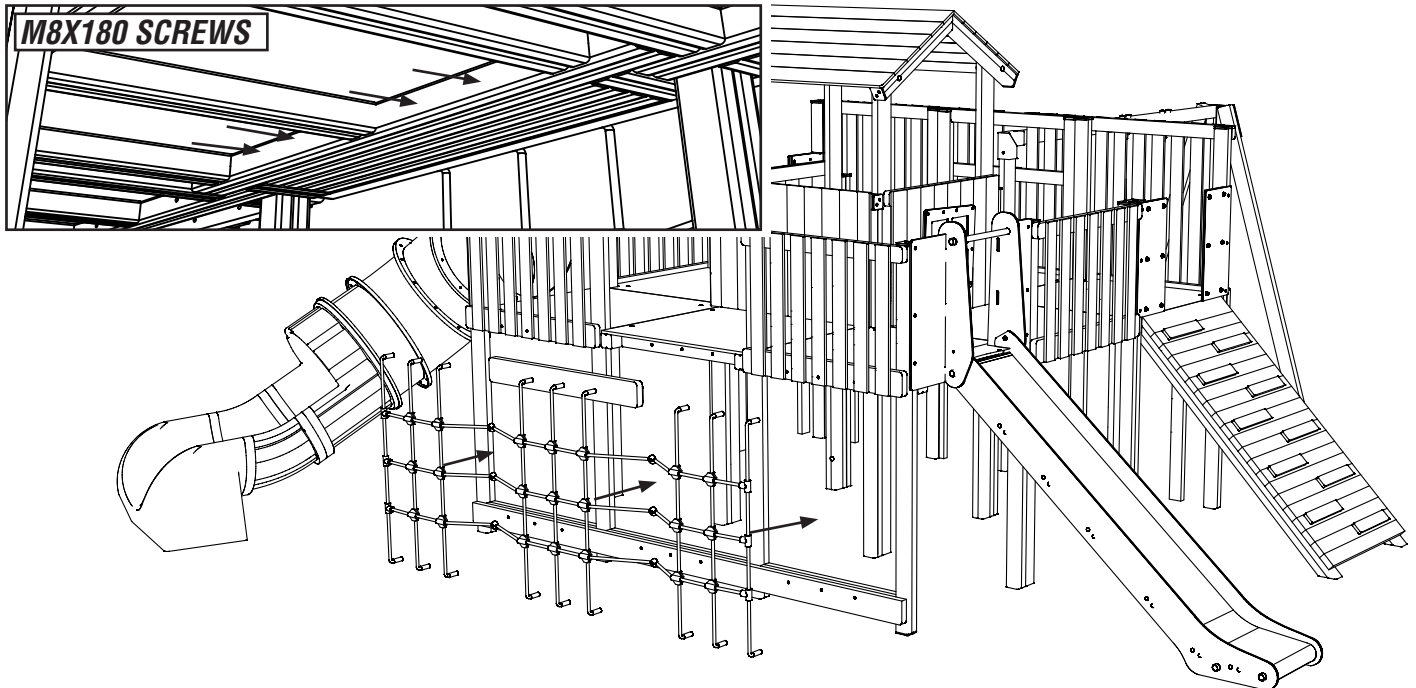


INSTALLATION INSTRUCTIONS

20

ATTACH NET TO PLATFORM FLOORS AND NET TIMBER ASSEMBLY

USING M12 NYLOCS [X15], COVERED ENDS [X15], M8X80* SCREWS [X4] AND M8X180** SCREWS [X4]



NOTES:

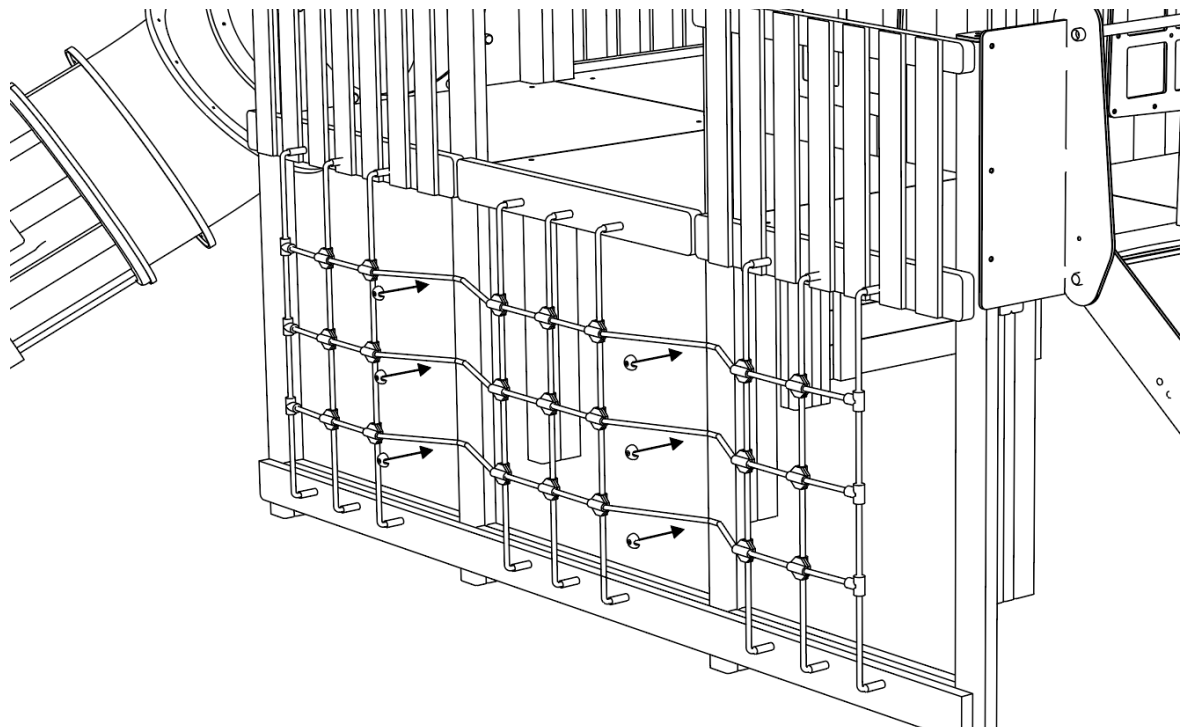
* 80 SCREWS - SCREW THROUGH ASSEMBLY (FRONT) INTO PLATFORM FLOOR

** 180 SCREWS - SCREW THROUGH PLATFORM FLOOR TIMBER (BACK) INTO THE NET ASSEMBLY TIMBERS

21

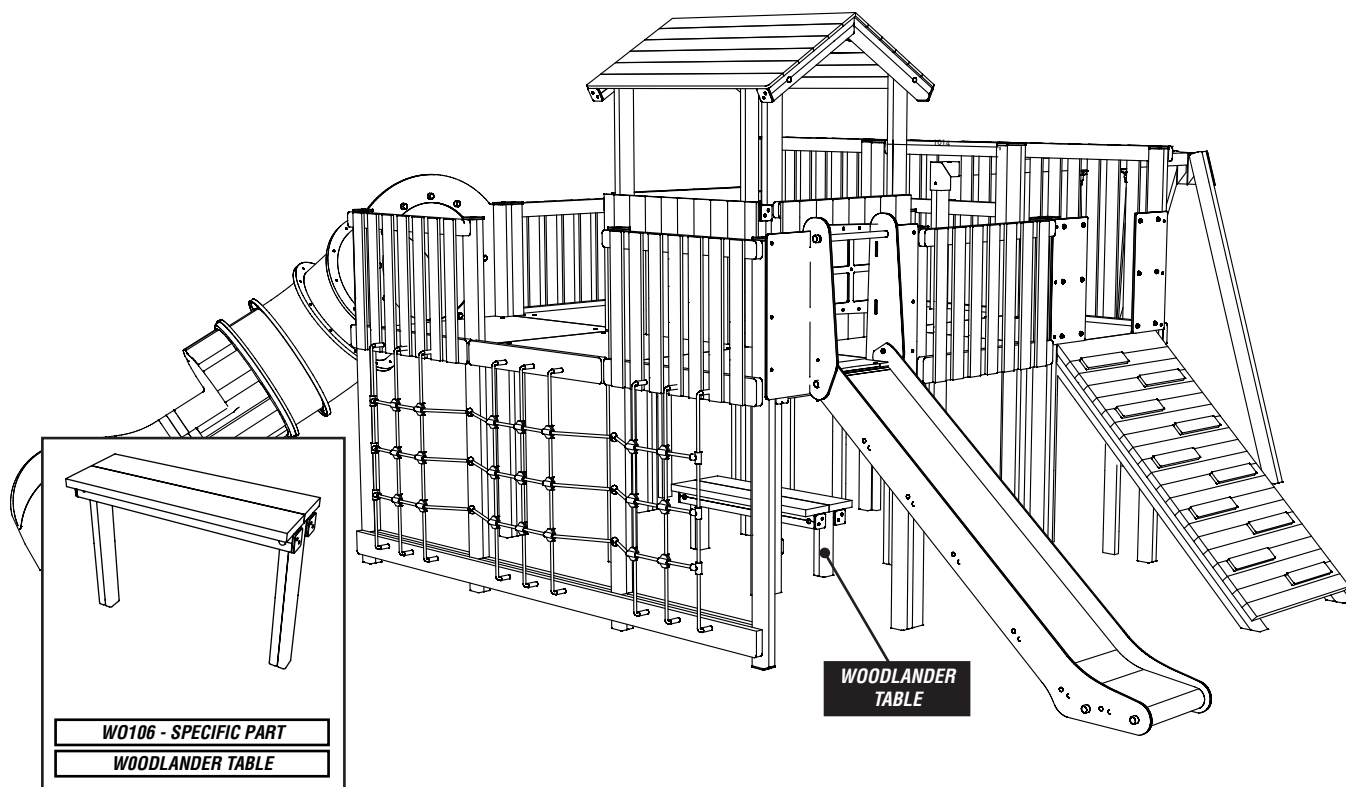
SECURE NET TO UPRIGHTS

USING POLYFIX HALVES [X6]

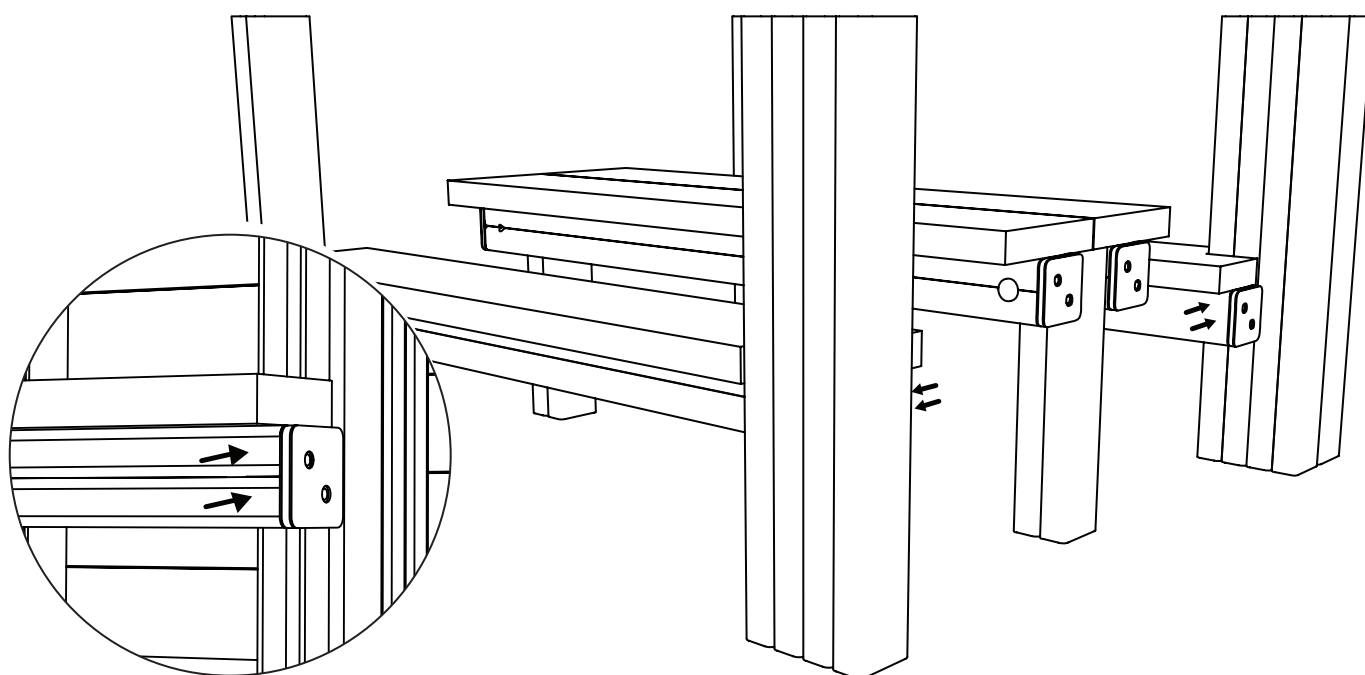


INSTALLATION INSTRUCTIONS

22 INSTALL WOODLANDER TABLE INTO THE GROUND

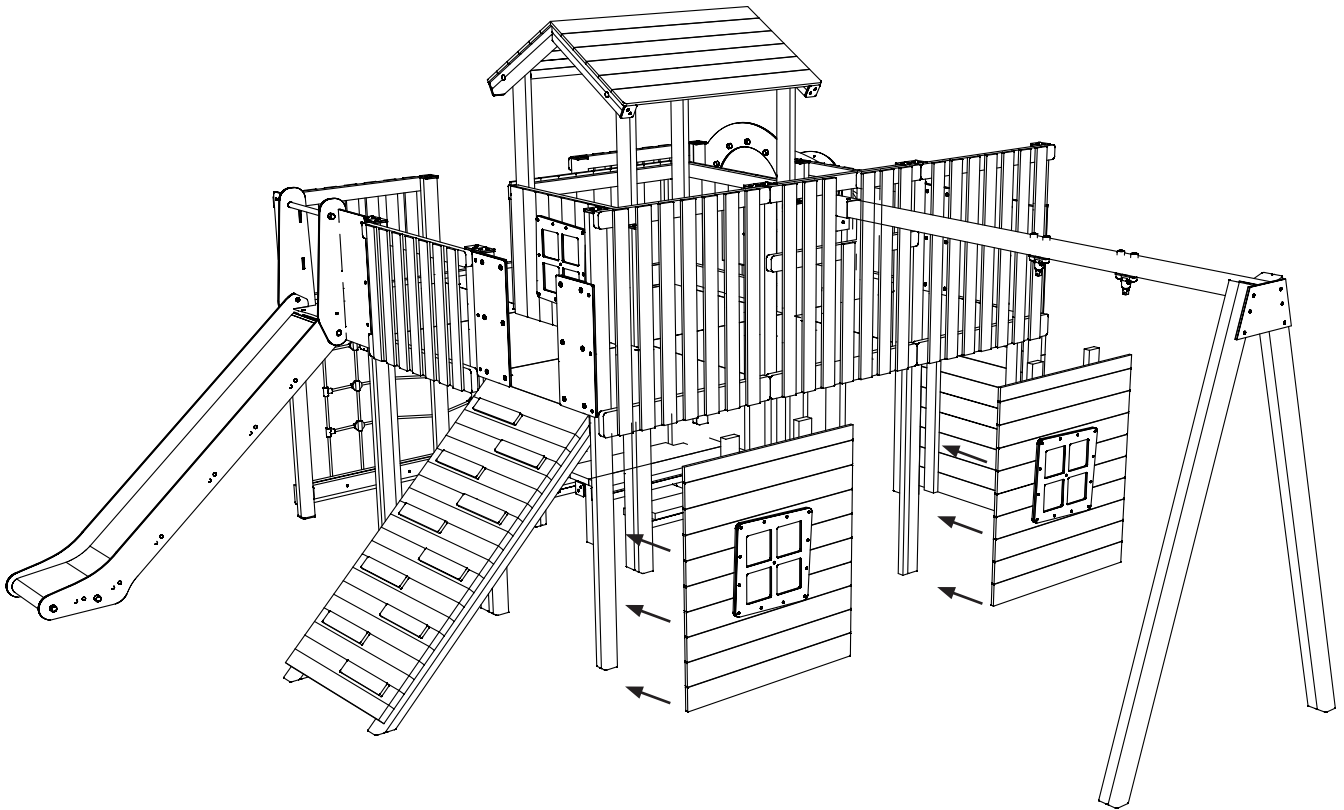


23 SCREW W0-TABLE SEATS TO CENTRAL UPRIGHT TIMBERS ON EACH SIDE USING M8X180 SCREWS [X8]. ENSURE FLOOR TO TOP OF SEAT HEIGHT IS 350MM

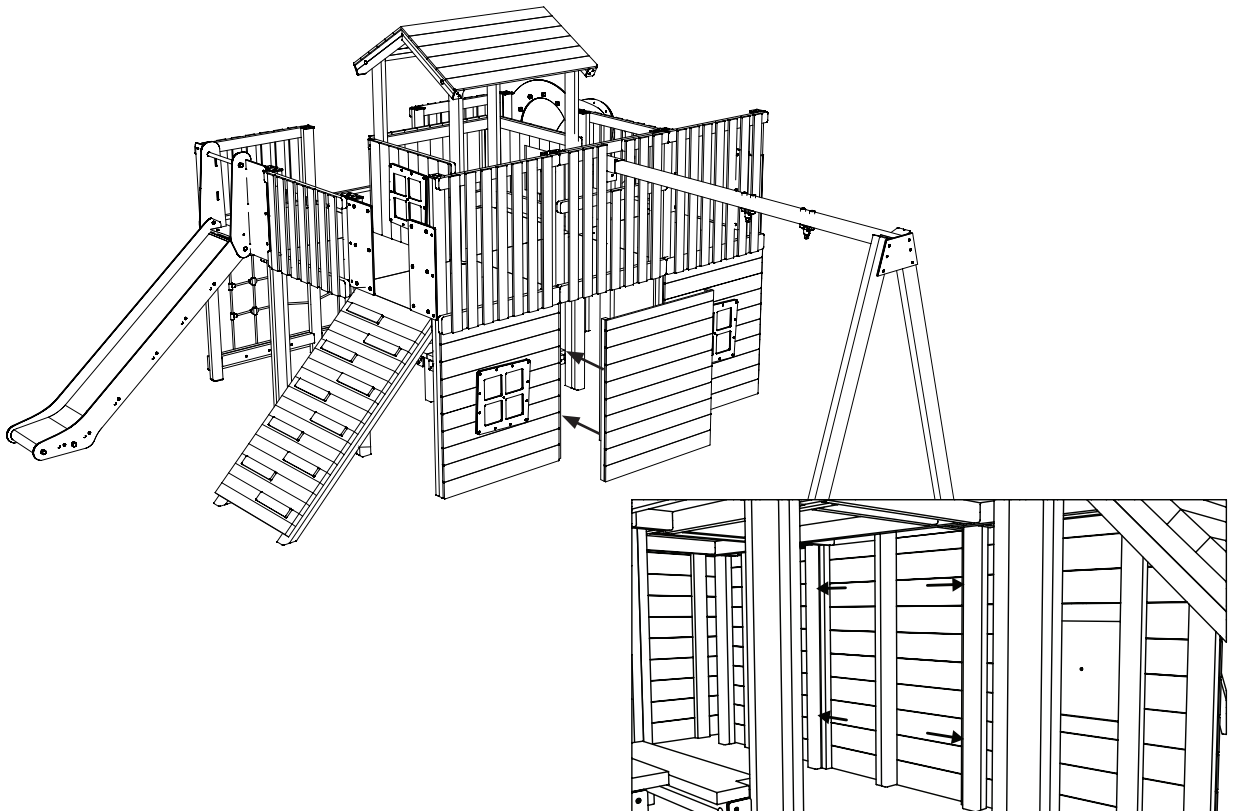


INSTALLATION INSTRUCTIONS

- 24** ATTACH LARGE WINDOW PANELS TO BACK LEFT & RIGHT UPRIGHT SECTIONS USING M8X80 SCREWS [X6] ON EITHER SIDE OF EACH PANEL (M8X80 X24 IN TOTAL)

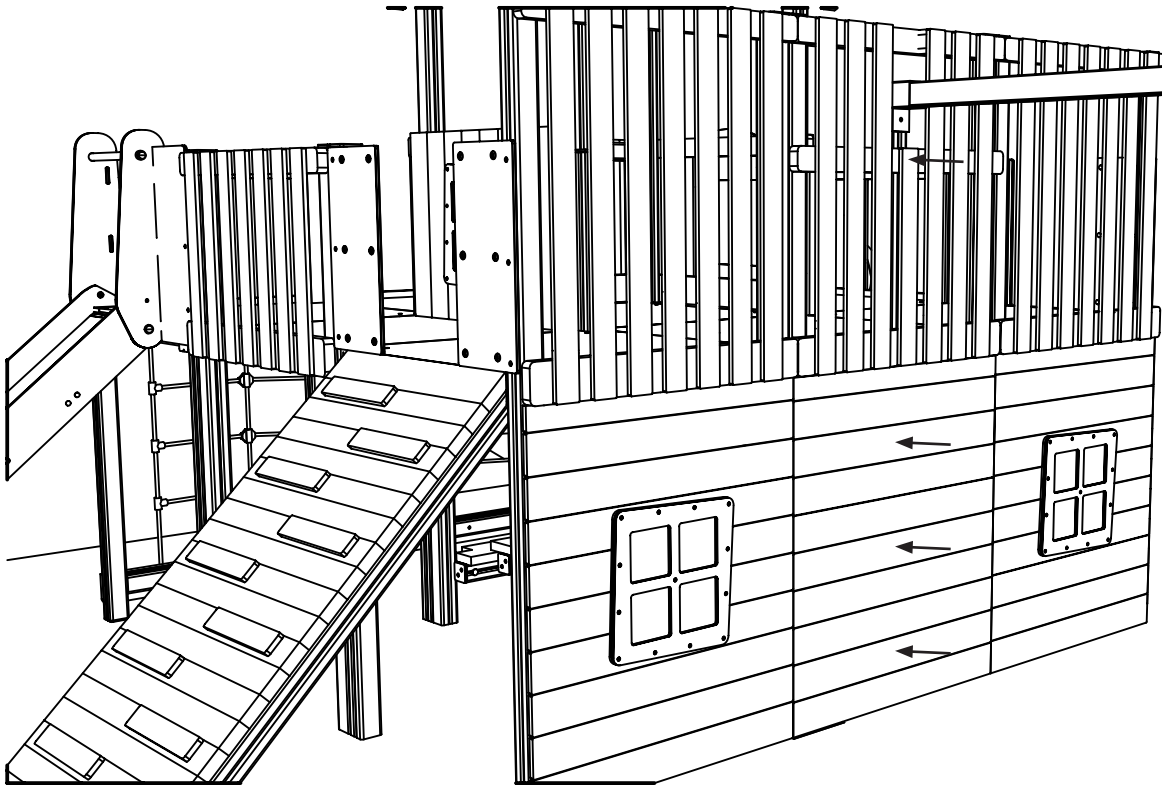


- 25** FIX W0106 SPECIFIC - LARGE TIMBER PANEL TO MIDDLE UPRIGHTS FROM THE INSIDE USING M8X80 SCREWS [X4] ON EITHER SIDE OF THE PANEL (M8X80 X8 IN TOTAL)

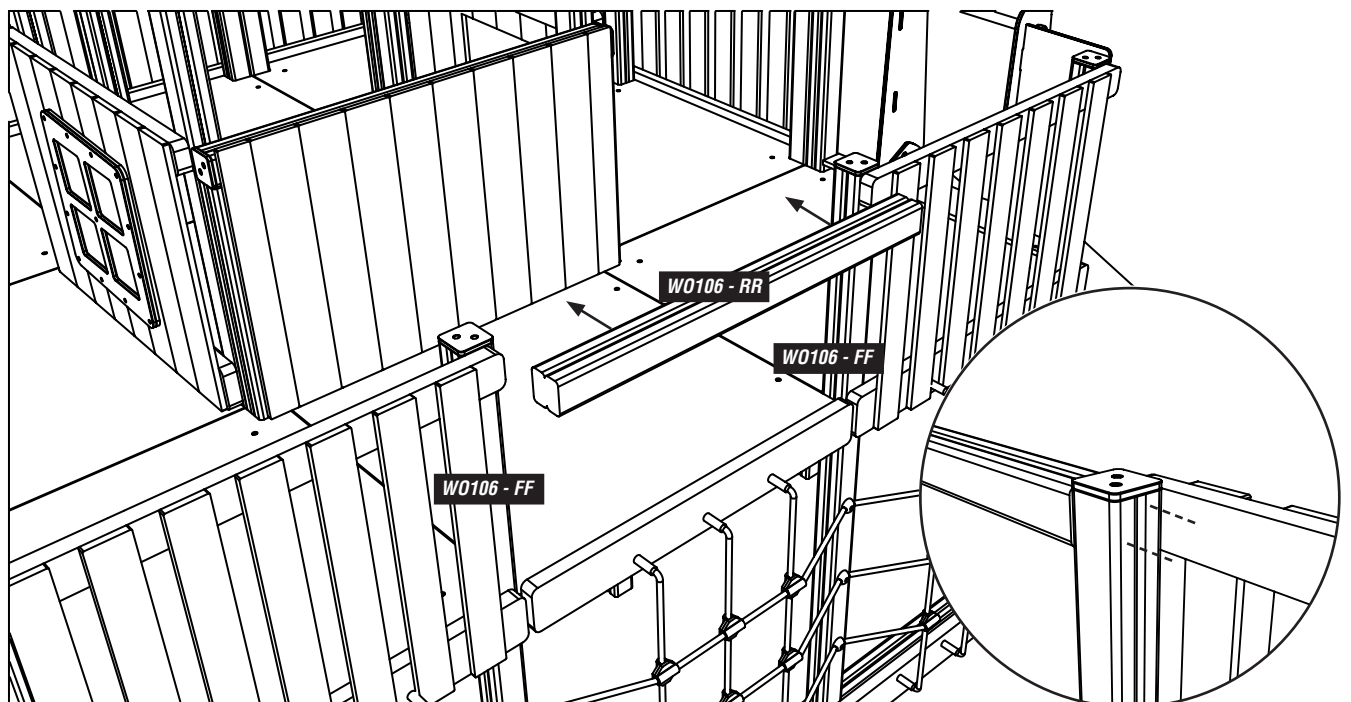


INSTALLATION INSTRUCTIONS

26 SECURE W0106-BB TO U-SHAPE GUARD RAIL AND LARGE TIMBER PANEL USING M8X80 [X4] DOWN THE CENTRE OF THE TIMBER



27 ATTACH W0106A-RR TO W0106-FF USING M8X180 [X4]

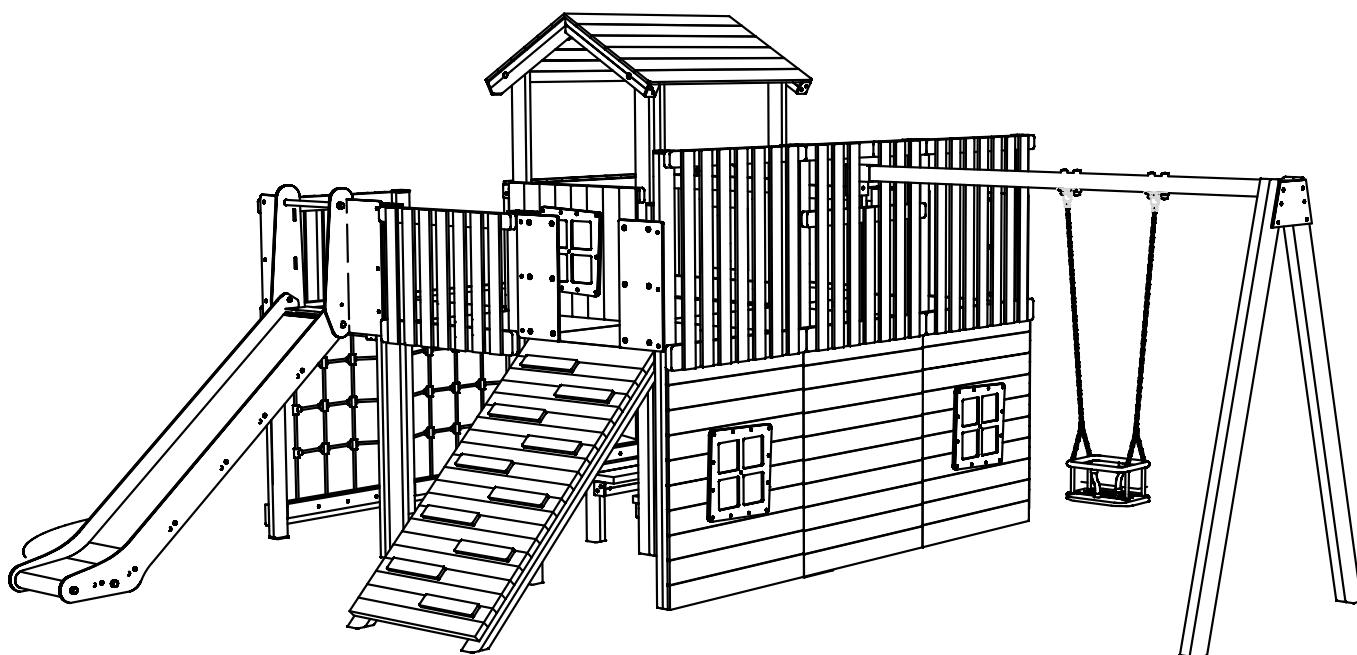


INSTALLATION INSTRUCTIONS

28

ATTACH SWING SEAT TO UNIT

SWING SEAT MUST SIT NO LOWER THAN 490MM FROM UNDERSIDE OF SEAT TO GROUND LEVEL AND NO HIGHER THAN 635MM.



ADDITIONAL DIMENSIONS

