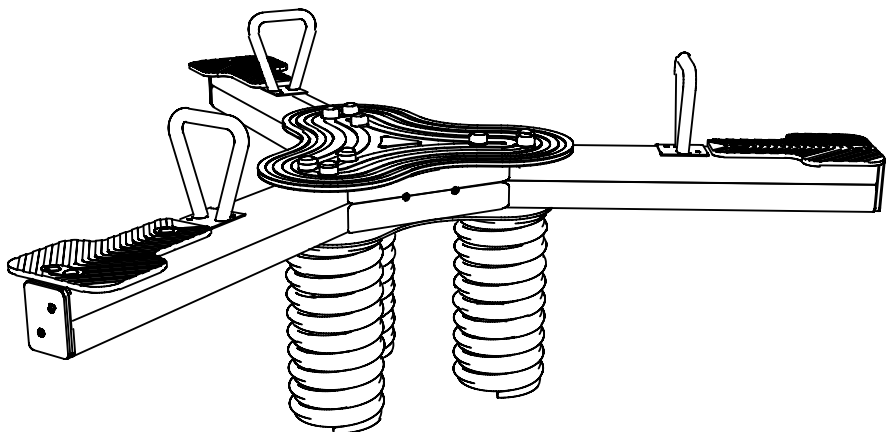


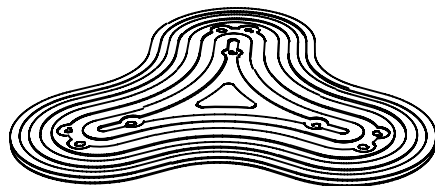
SR119 - TRIPLE SPRING RIDER

Installation Instructions



x1

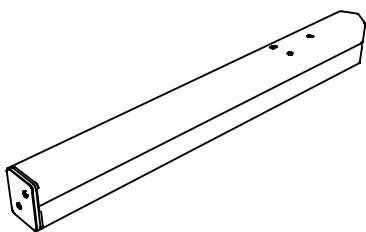
METAL PLATE



x1

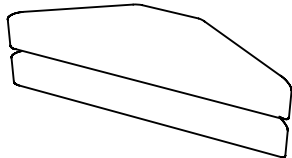
PLAYTEC TOP

SR119 - TRIPLE SPRING RIDER



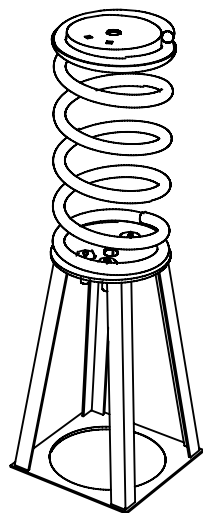
x3

TIMBER LENGTHS



x3

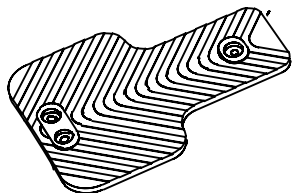
TIMBER CONNECTORS



x3

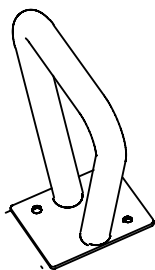
SPRING ASSEMBLY

ADDITIONAL PARTS



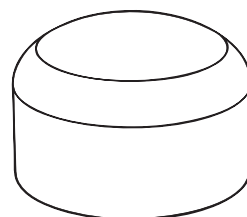
x3

SEESAW SEAT



x3

SEESAW HANDLE



x9

M12 COVERED END CAP



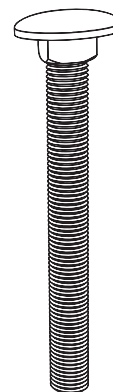
x6

M8X120 WOOD SCREWS



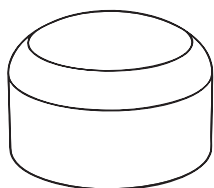
x15

M8X80 WOOD SCREWS



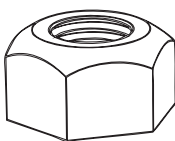
x9

M12 X160



x6

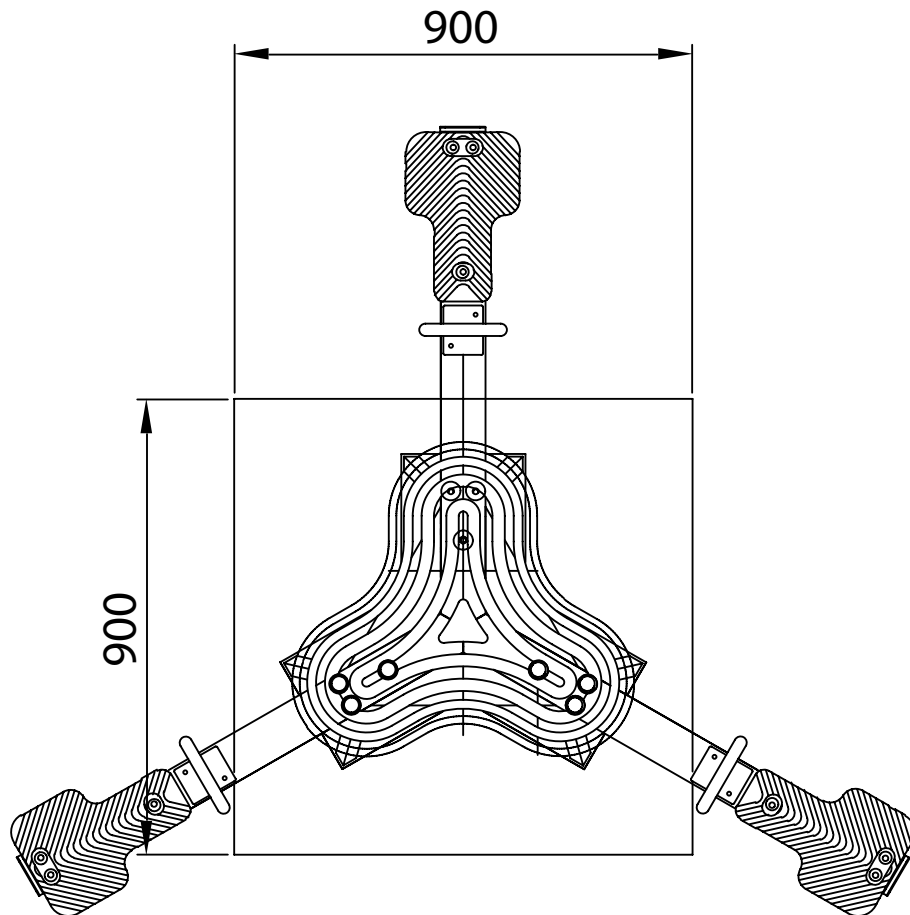
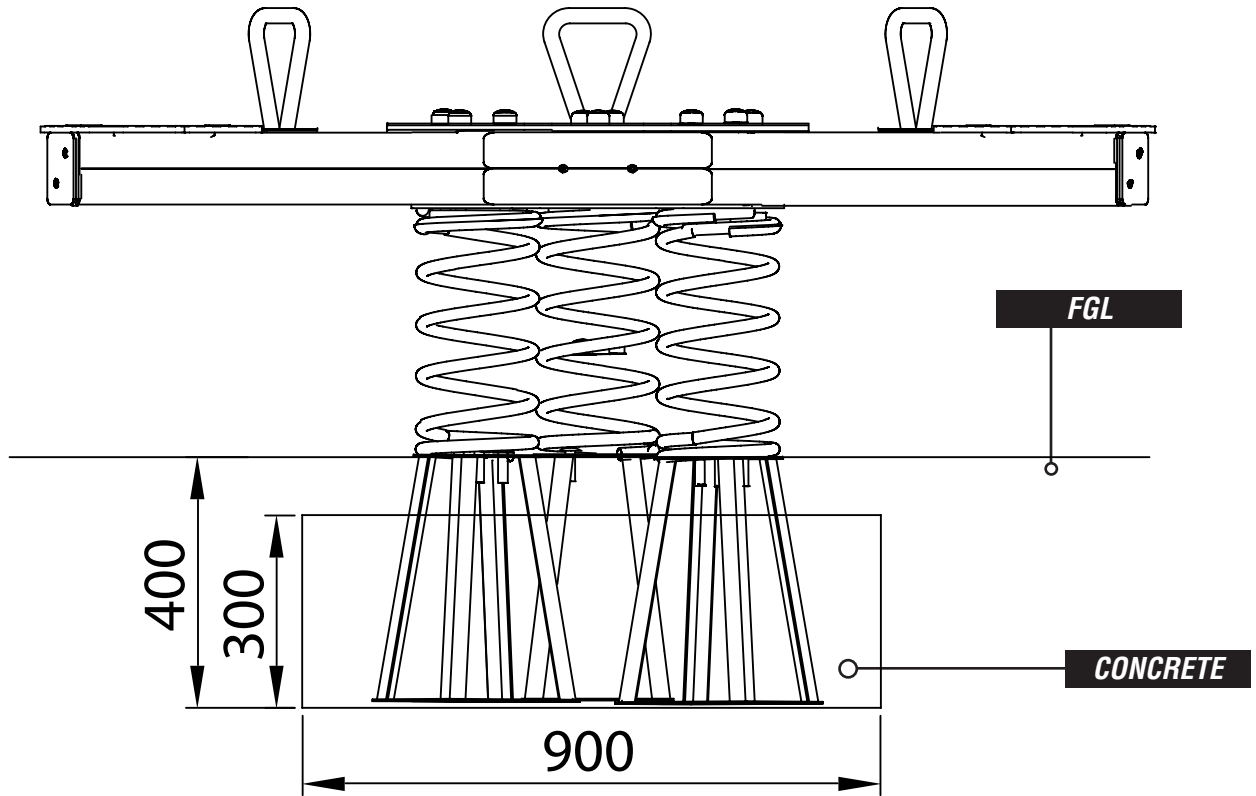
M8 COVERED END CAP



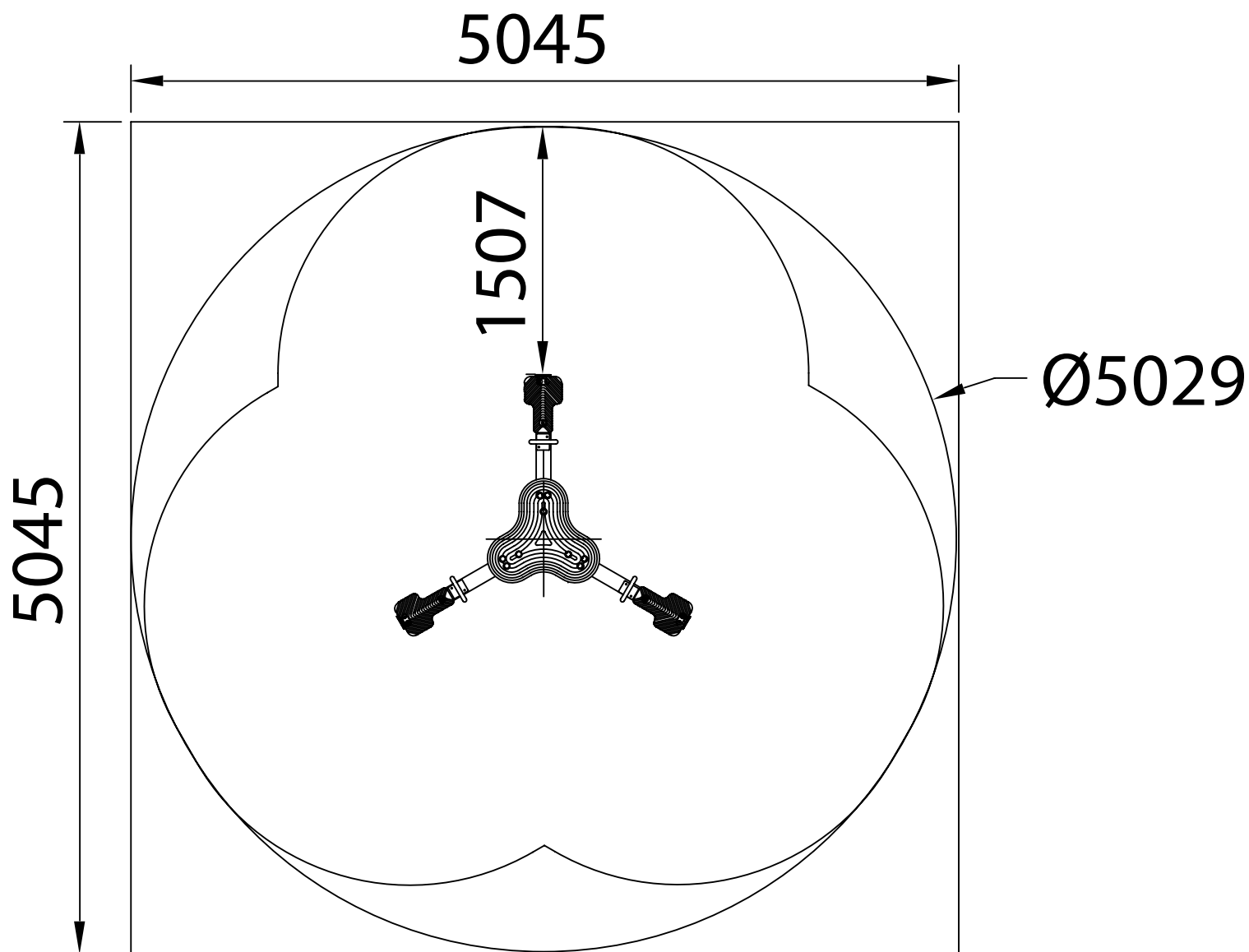
x9

N12 (NYLOC)

FOUNDATION DETAILS



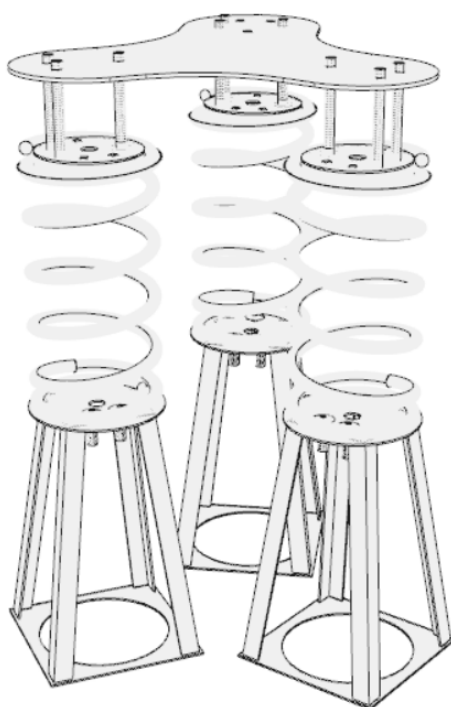
SURFACING DETAILS



INSTALLATION INSTRUCTIONS

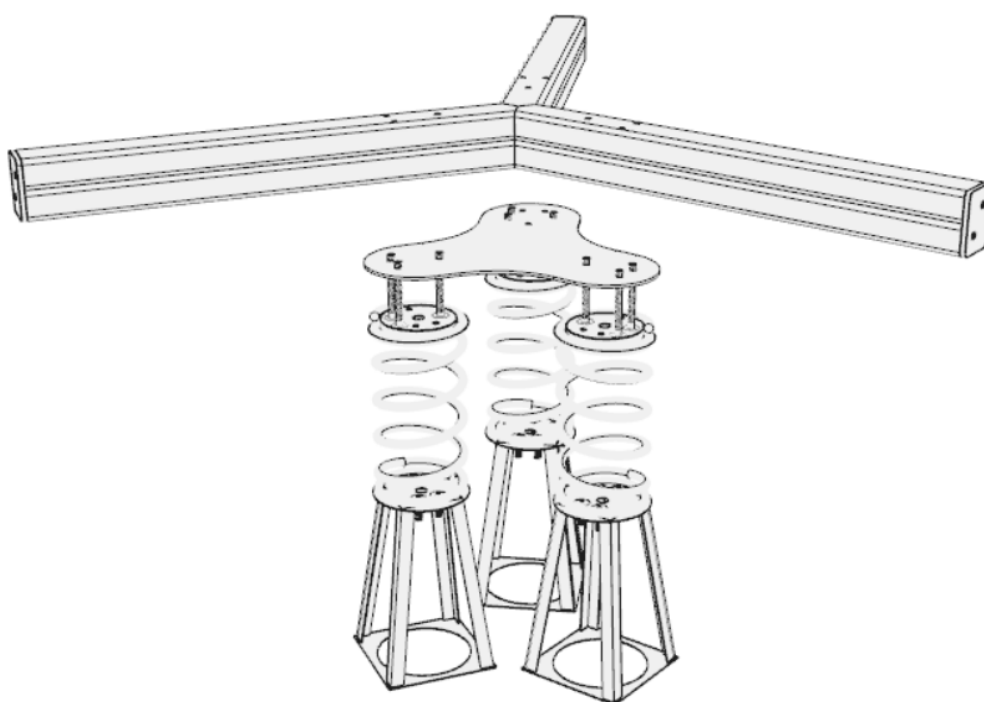
1

ASSEMBLE THE METAL PLATE TO THE SPRING ASSEMBLIES



2

ATTACH TIMBER LENGTHS TO THE METAL PLATE USING DRILLED HOLES

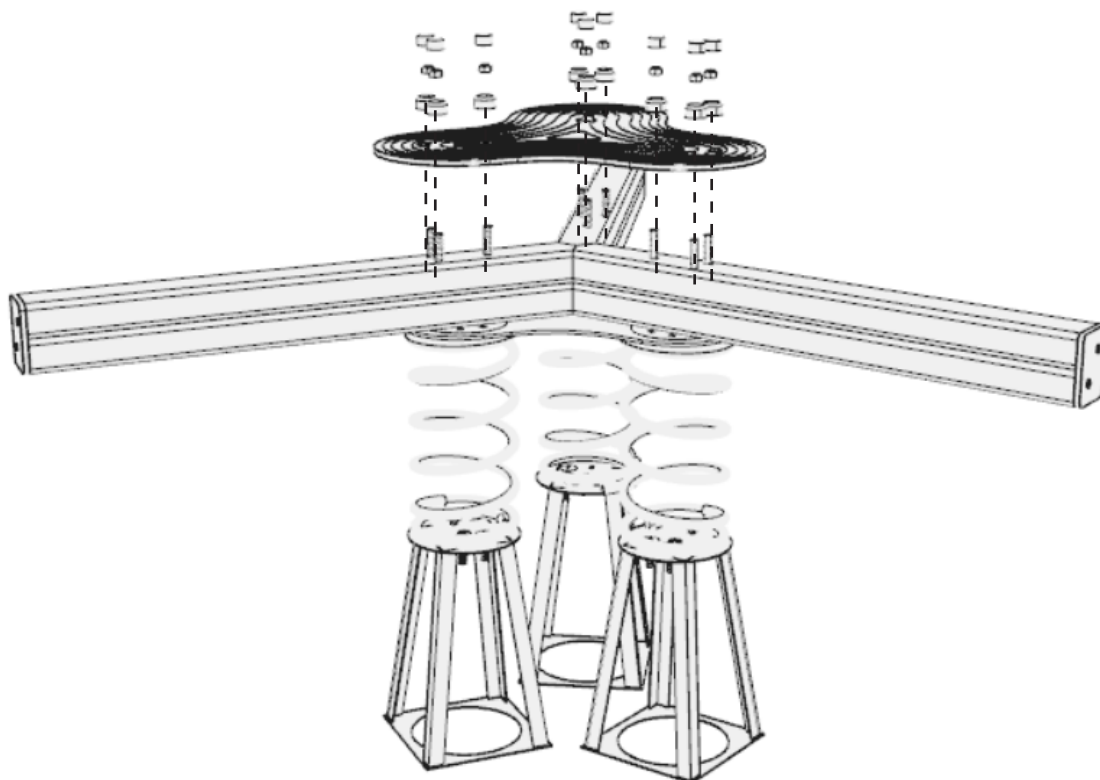


INSTALLATION INSTRUCTIONS

3

PLACE PLAYTEC TOP ON TIMBER LENGTHS AND SECURE WITH BOLTS

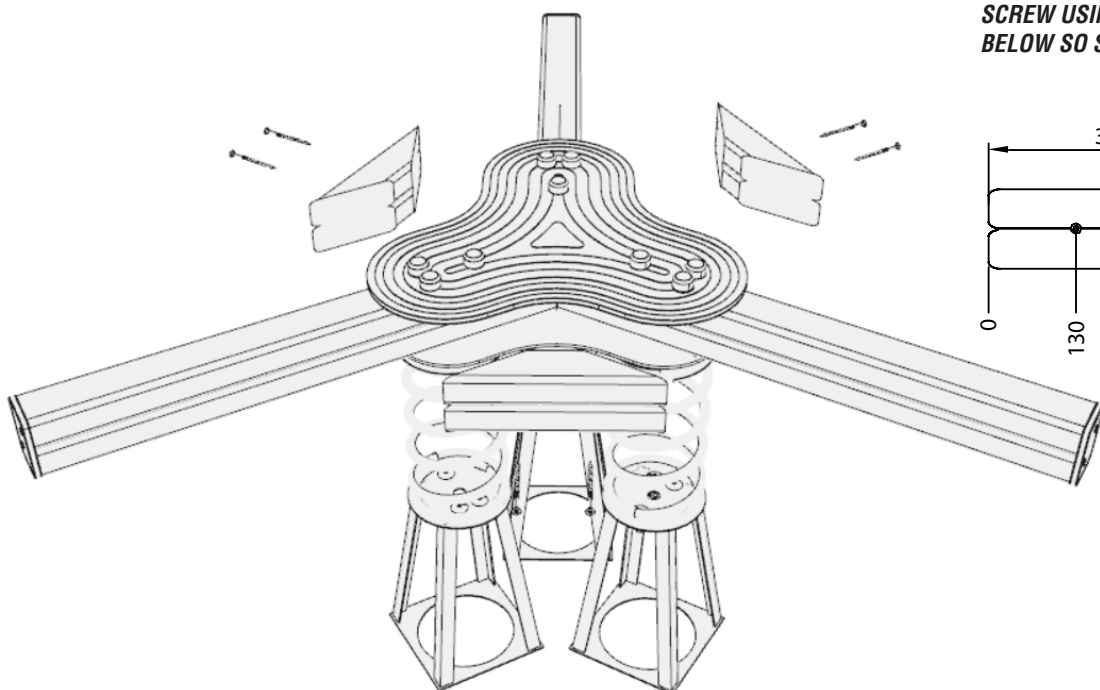
Usina M12X160 CUP SOAURE BOLTS X9 / M12 COVERED END CAP X9 / M12 NYLOC X9



4

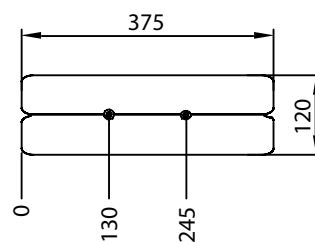
SCREW ON TIMBER CONNECTORS TO TIMBER LENGTHS

Using M8X120 WOOD SCREWS X6 / TIMBER CONNECTORS X3



NOTE:

SCREW USING HOLE DIMENSION
BELOW SO SCREWS DONT CLASH

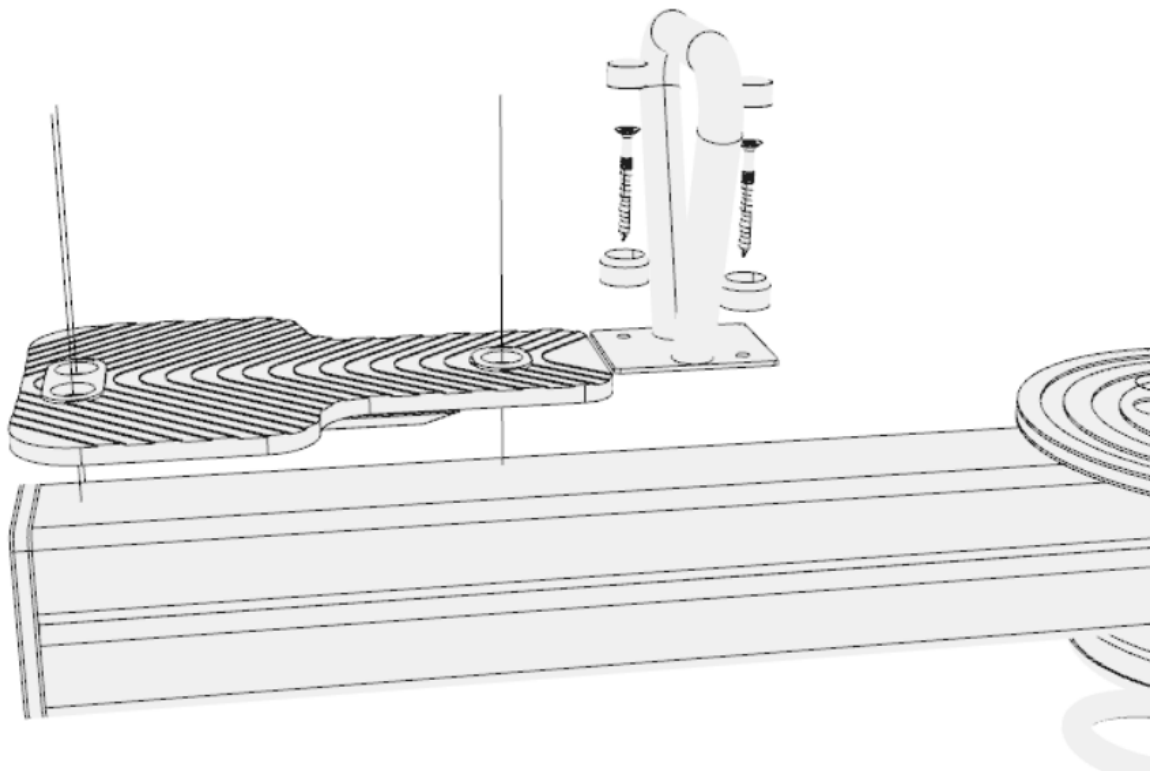


INSTALLATION INSTRUCTIONS

5

ATTATCH SEASAW SEAT AND SEASAW HANDLE

Using M8X80 WOOD SCREWS X15 / SEASAW SEAT X3 / SEASAW HANDLES X3 / M8 COVERED ENDS X6

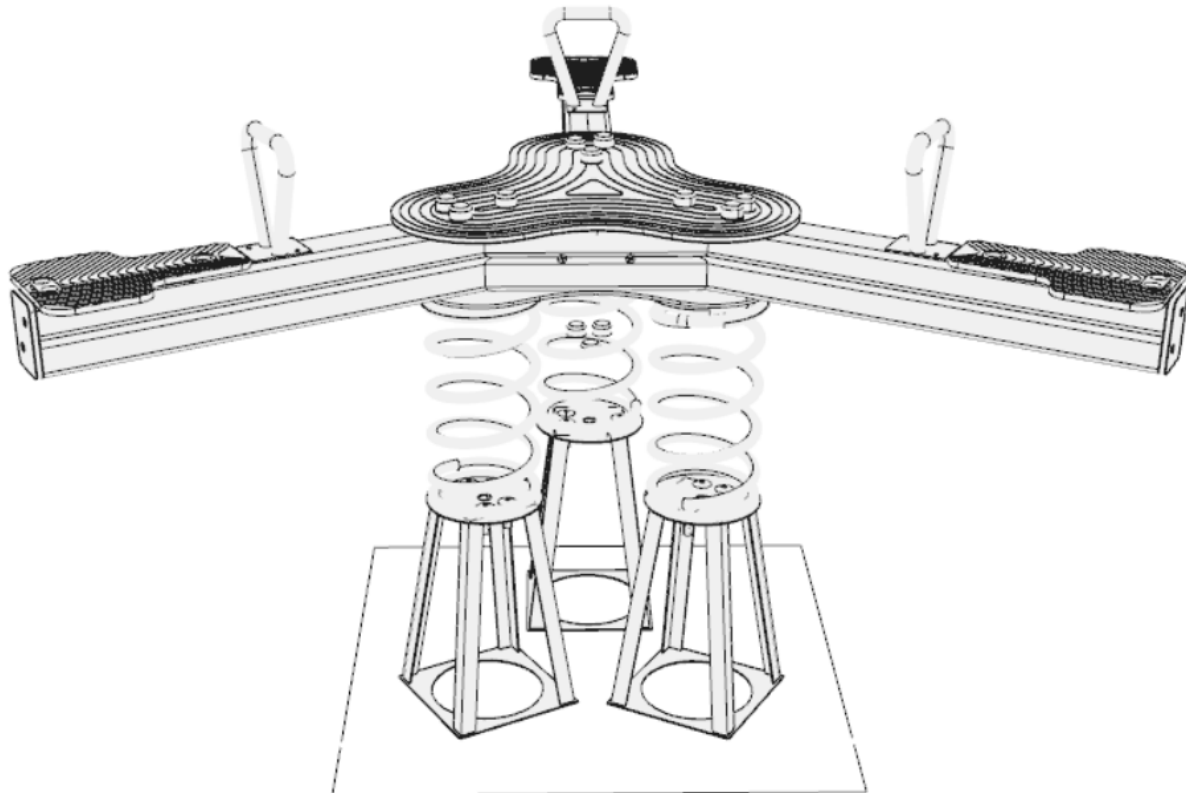


NOTE: ENSURE SEAT IS PLACED IN LINE END OF TIMBER AND HANDLE IS DIRECTLY IN FRONT OF IT AS SHOWN

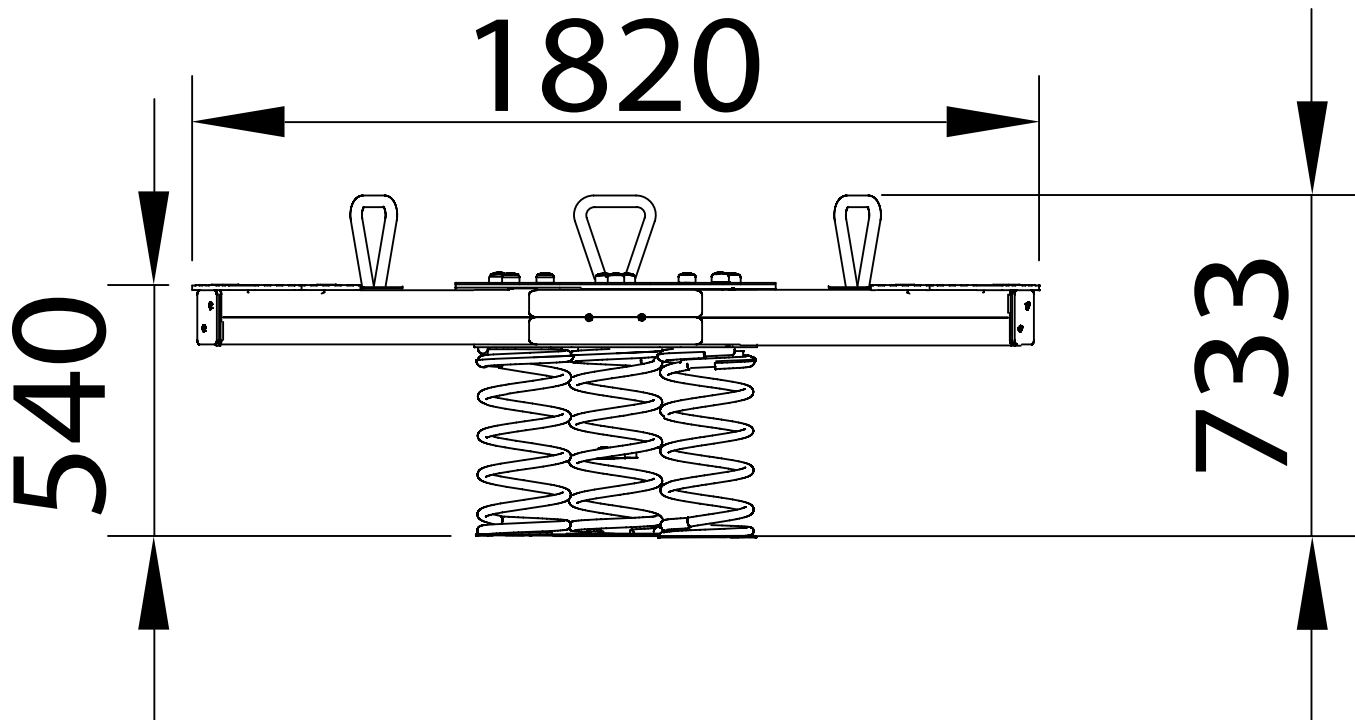
INSTALLATION INSTRUCTIONS

5

ONCE FULLY ASSEMBLED INSTALL POSTS INTO GROUND



ADDITIONAL DIMENSIONS



SEAT HEIGHT - 0.54M