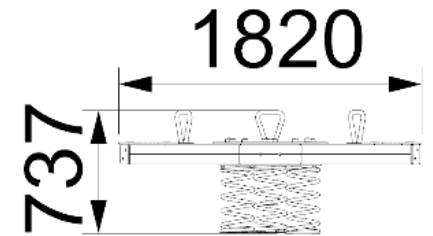
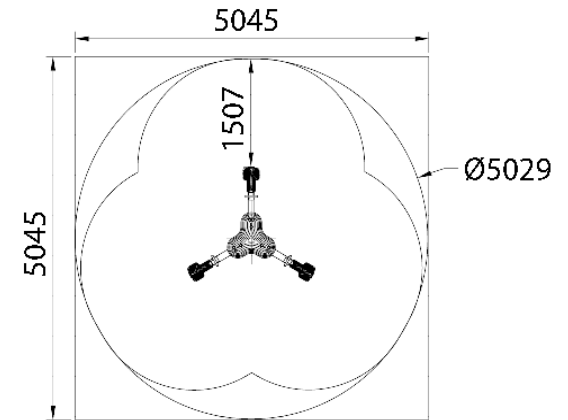
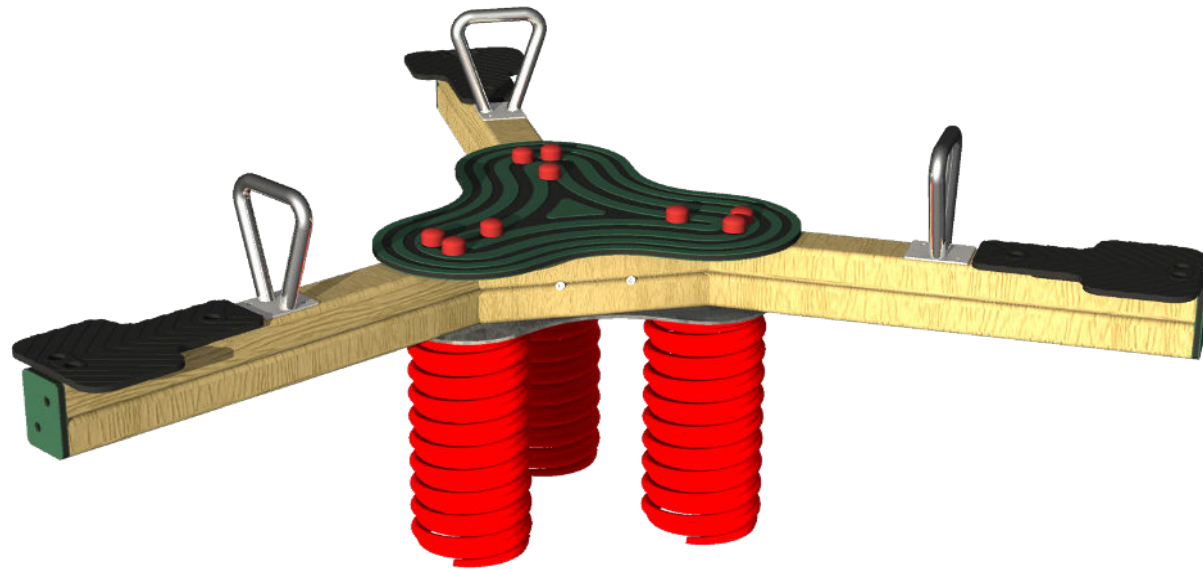


TRIPLE SPRING RIDER

SR119

creative
play



**Measurements in millimetres*

PRODUCT INFORMATION	
PRODUCT CODE	SR119
DIMENSIONS LXWXH	1.8X 1.8M X0.74M
AGE RANGE	3+
SPARE PART AVAILABILITY	2-4 WEEKS

TECHNICAL INFORMATION	
FREE FALL HEIGHT	0.55M
MINIMUM AREA	5.01M X 5.01M
MIN. SURFACING AREA	17 SQM
STANDARDS COMPLIANCE	BSEN1176

DOWNLOADS	
PRODUCT WEBPAGE	
MAINTENANCE INFORMATION	

**Information correct at time of creation*