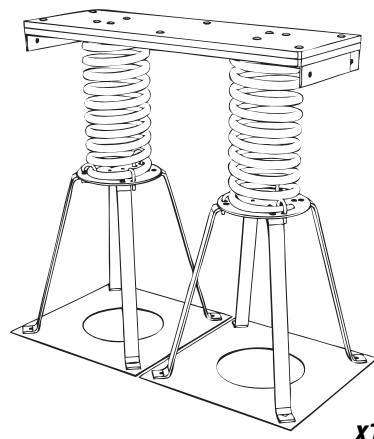
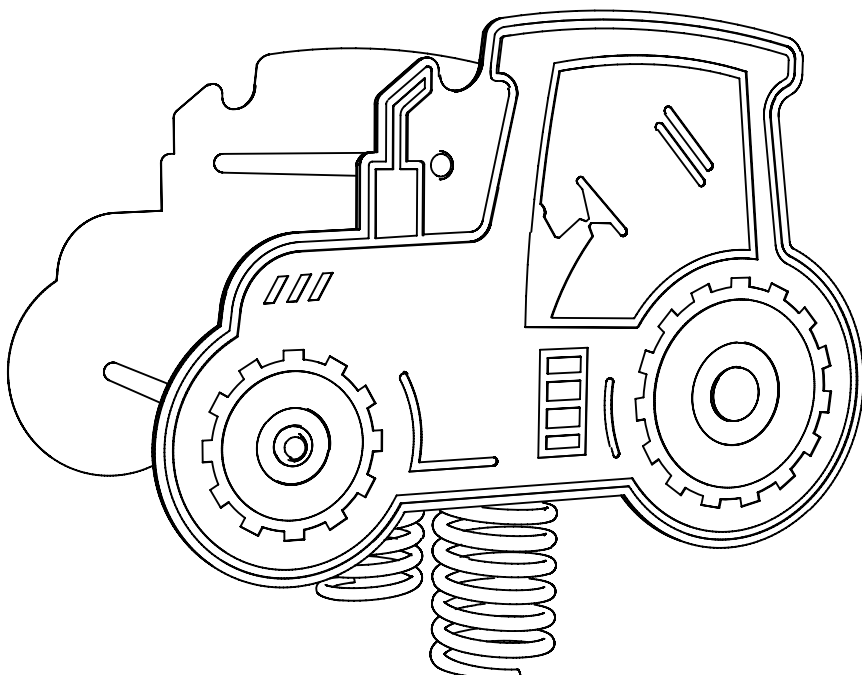
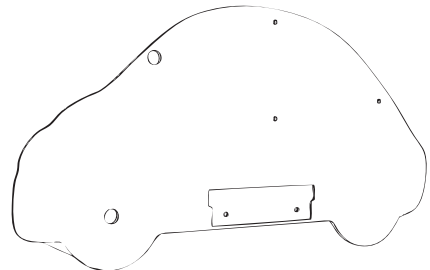


SR118 TRACTOR SPRING RIDER (DOUBLE) Installation Instructions

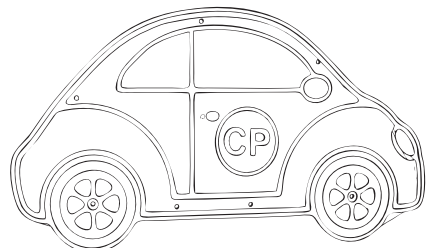


PRE-ASSEMBLED SEAT / SPRINGS

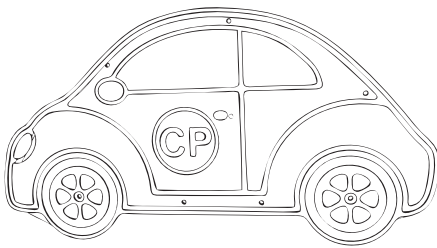


'RIGHT SIDE' INSIDE

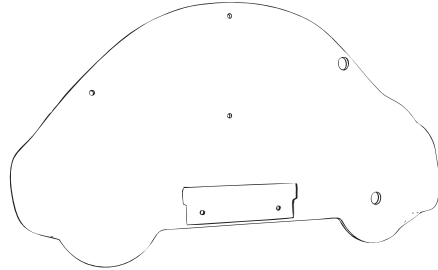
SR118 - TRACTOR SPRINGER



'RIGHT SIDE' OUTSIDE CAR



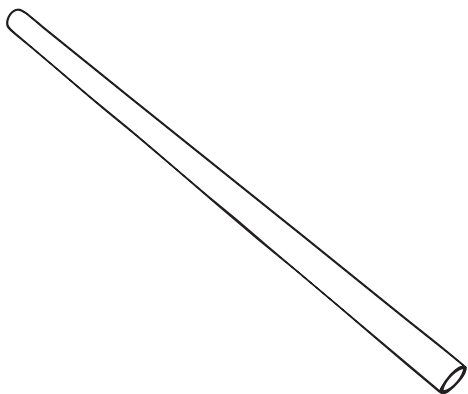
'LEFT SIDE' OUTSIDE CAR



'LEFT SIDE' INSIDE

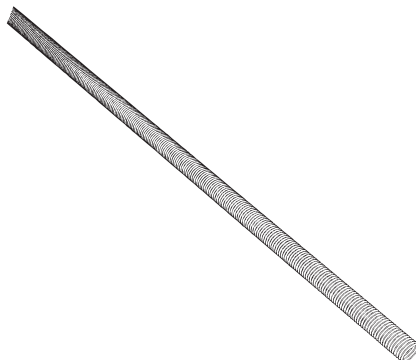
ABOVE PARTS SUPPLIED WITH SPRING ASSEMBLY

ADDITIONAL PARTS



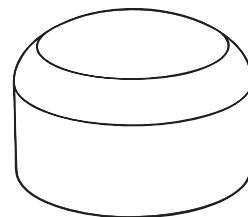
x2

GLAV TUBE OD 33.7MM



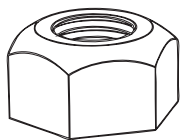
x2

THREAD BAR 975MM



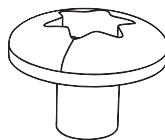
x4

M12 COVERED END CAP



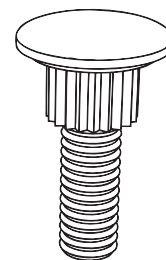
x4

N12 (NYLOC)



x12

TORKTAINER - N1

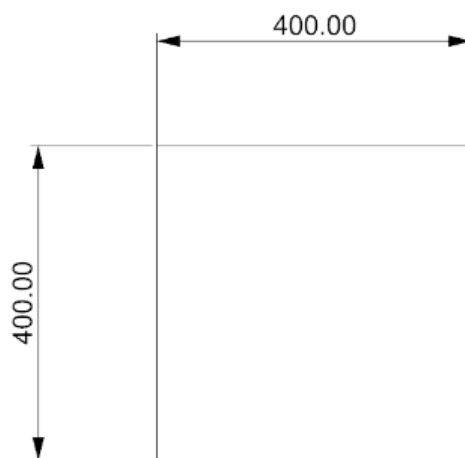
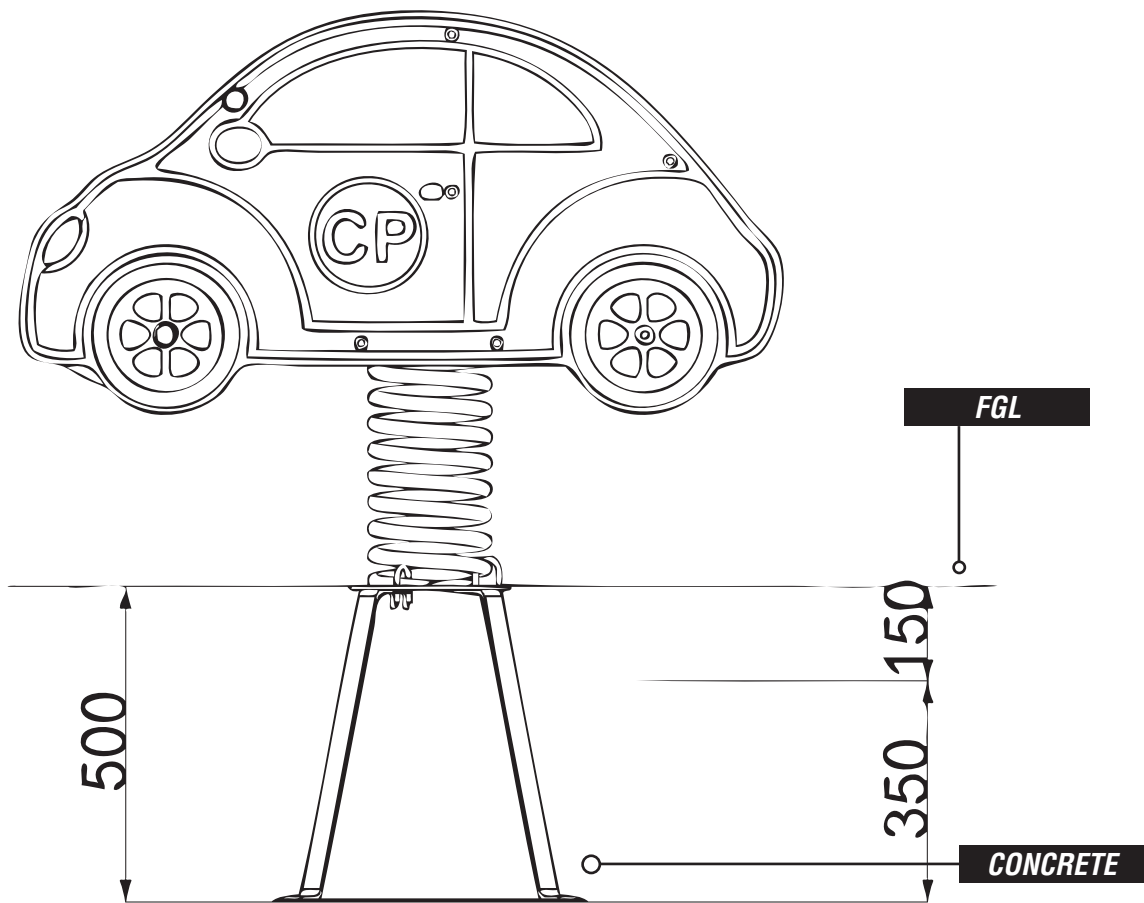


x12

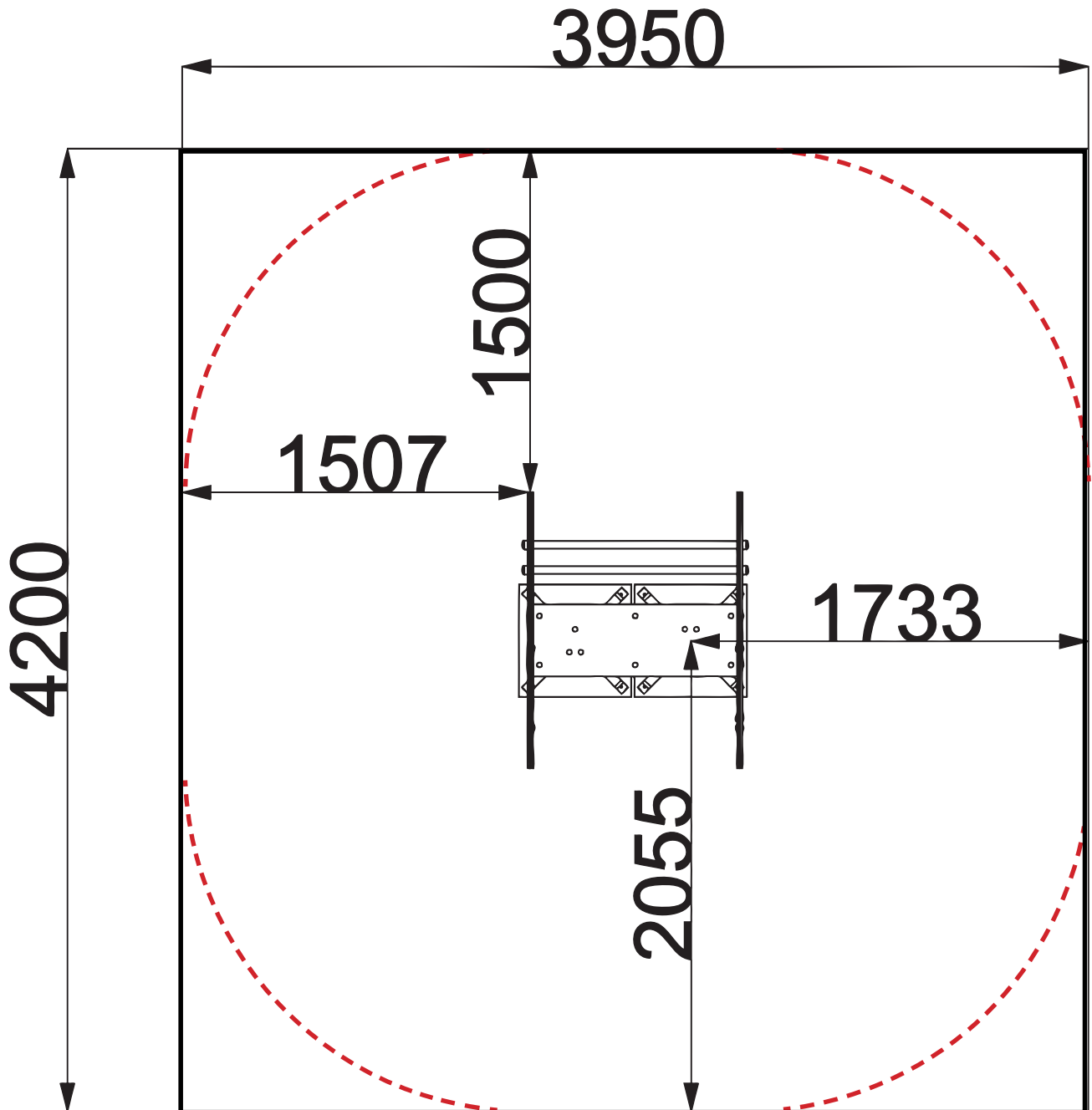
TORKTAINER - 3B

CAR SPRINGER SHOWN, THIS HAS BEEN USED FOR VISUALS ONLY

FOUNDATION DETAILS



SURFACING DETAILS

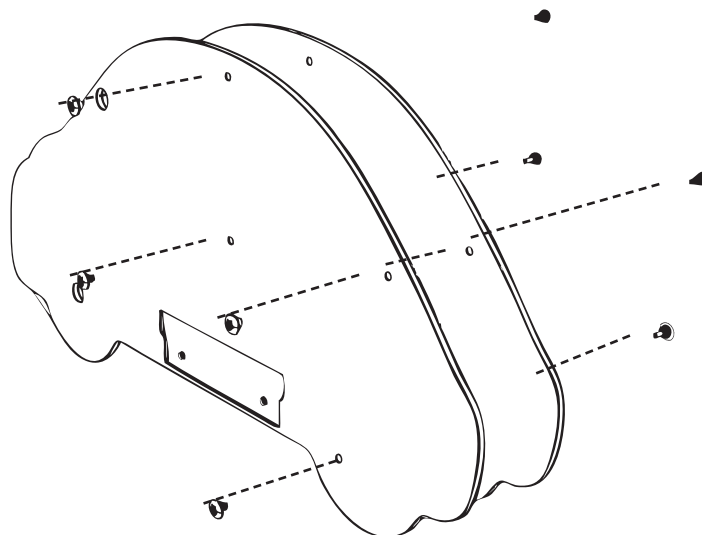


INSTALLATION INSTRUCTIONS

1

ASSEMBLE LEFT and RIGHT, INSIDE and OUTSIDE playtec parts

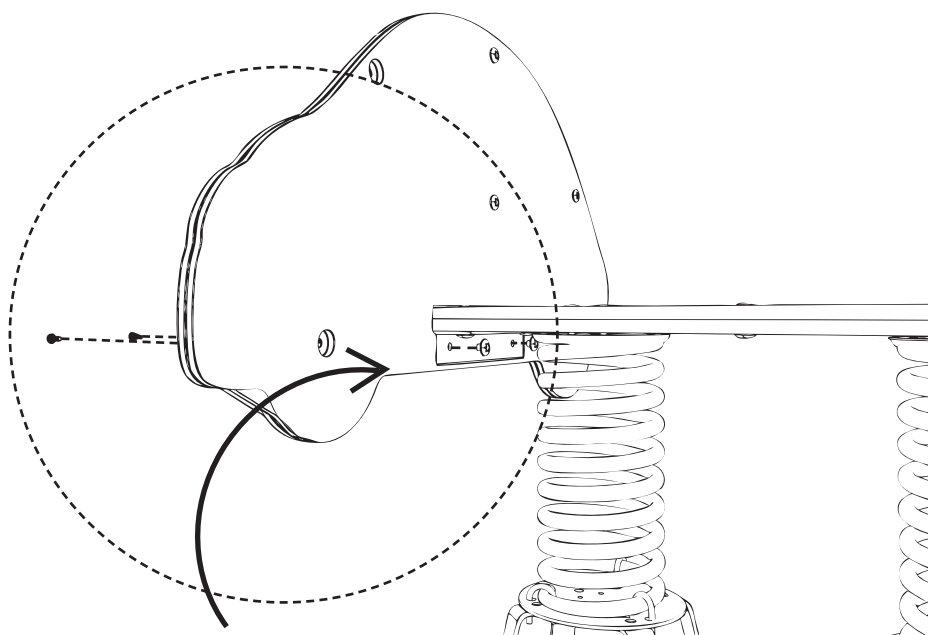
Using 4 X 3B / 4 X N1 TORKTAINERS (EACH SIDE) - AT THIS STAGE - ONLY FIX HOLES SHOWN BELOW



2

ATTACH PRE-ASSEMBLED SIDE TO SEAT BRACKET

USING 2 X 3B/ 2 X N1 TORKTAINERS - EACH SIDE



ENSURE:

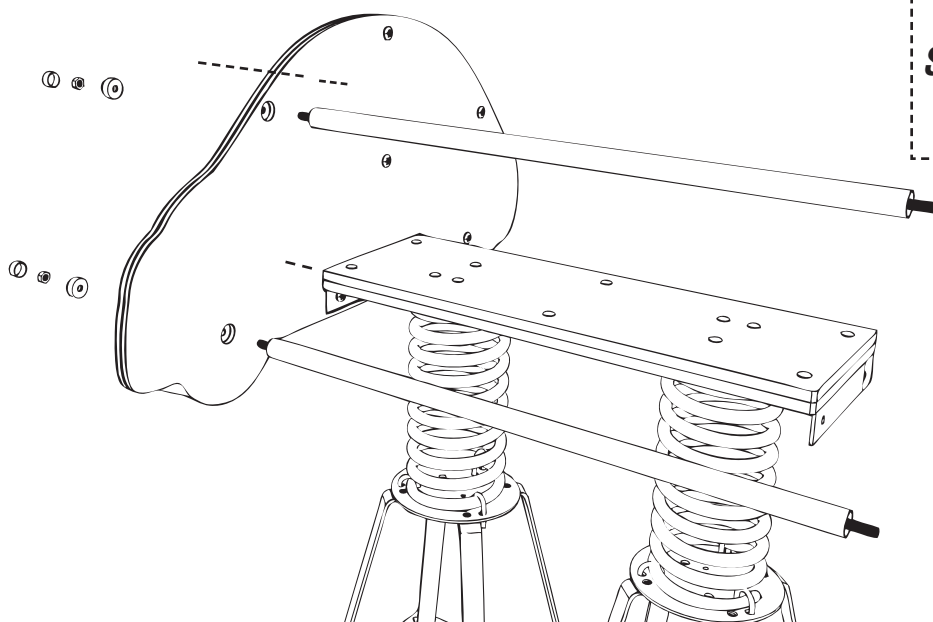
SEAT BRACKET SITS WITHIN RECESSED PART OF THE PLAYTEC

INSTALLATION INSTRUCTIONS

3

ATTATCH HANDLE AND FOOTREST TO PLAYTEC SIDES

Using 975mm THREAD BAR (INSERT INSIDE GALV TUBE) and 2 X M12 NYLOCS / 2 X Covered end - (PER SIDE)

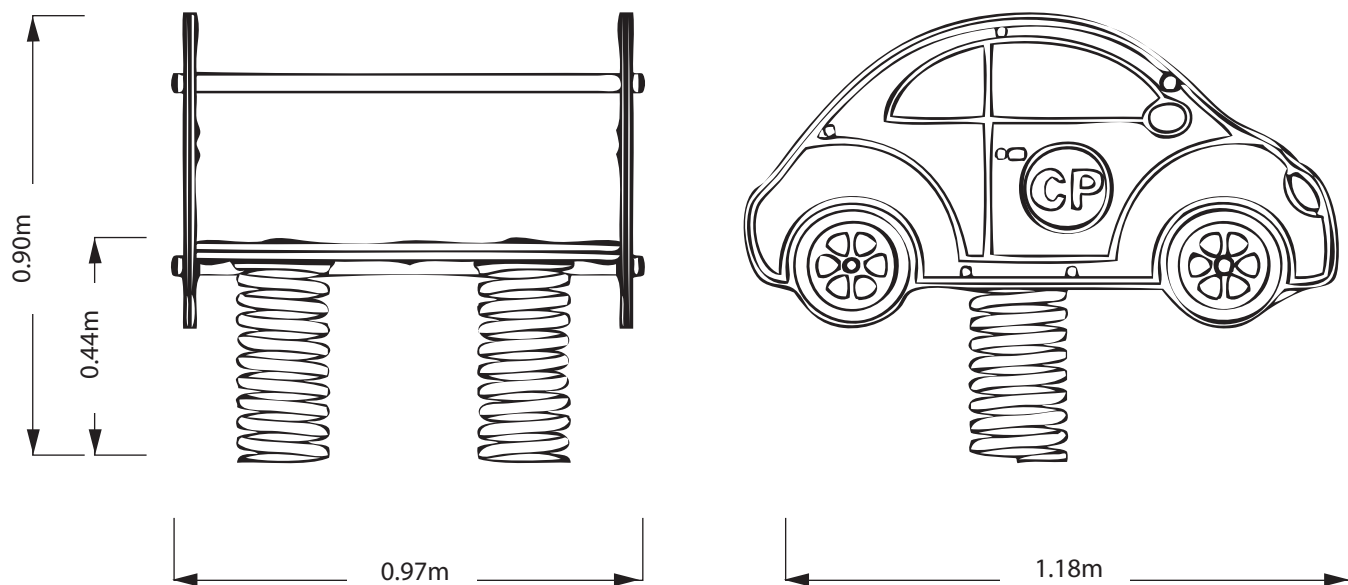


**REPEAT
STEP 2 and 3 FOR**

NOTES:

- SAME ASSEMBLY PROCESS FOR ALL SPRING RIDERS (DOUBLE)

ADDITIONAL DIMENSIONS



SEAT HEIGHT - 0.44MM