

creative
play

Local Authority Playground Packages



THE OUTDOOR PLAY EXPERTS
FOR OVER 30 YEARS

LOCAL AUTHORITY PACKAGES

**DID YOU
KNOW ?**



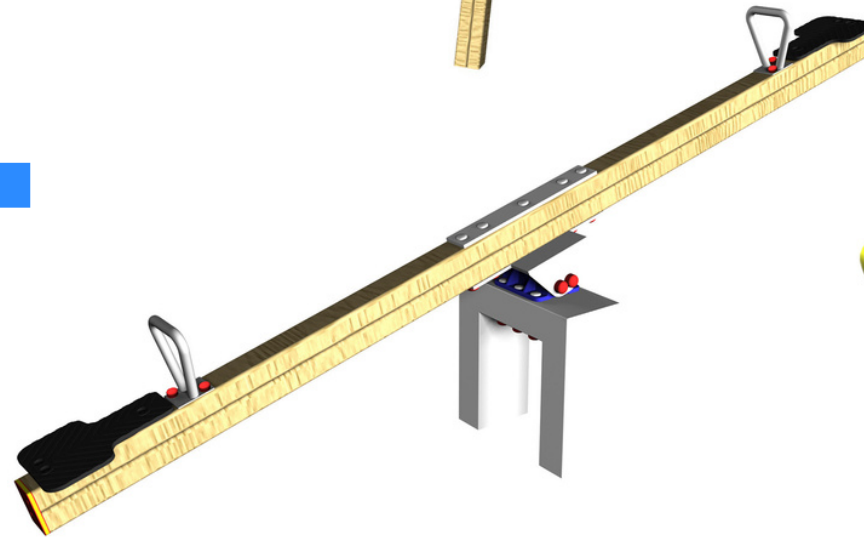
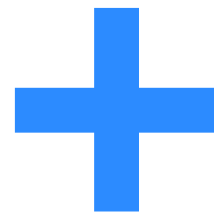
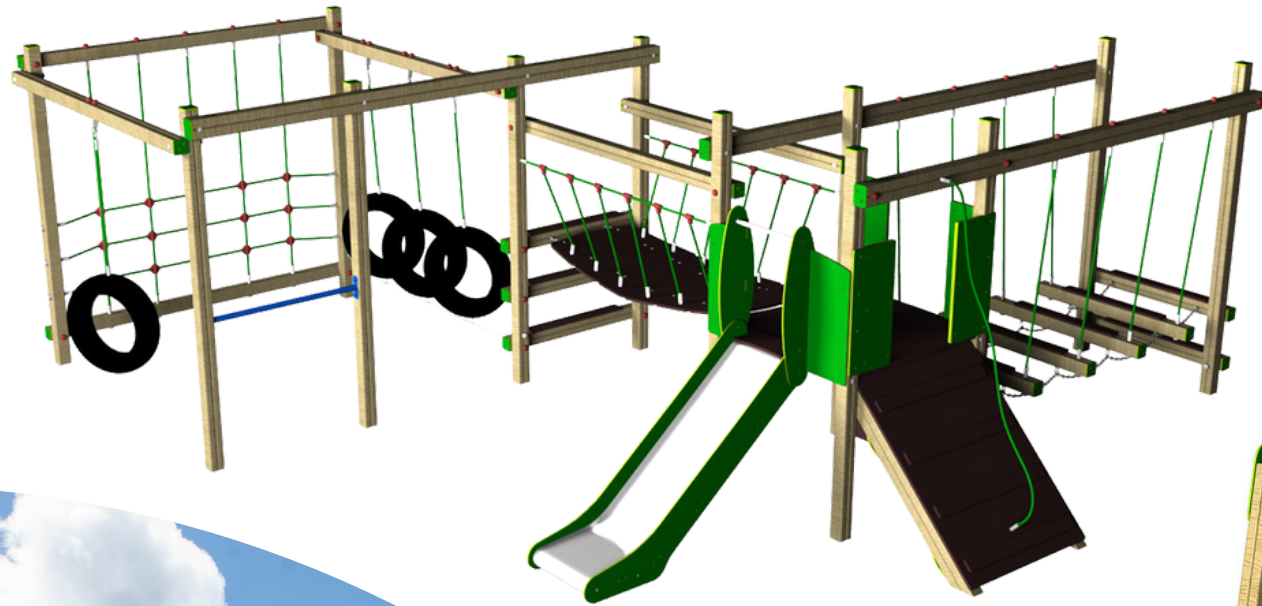
An investment in your local park will not just benefit the children, but the families of the whole community.

The ideal space will allow for a safe space for children to play, adults to relax and for all to exercise or socialise.

These packages have been created with all of the above in mind to ensure you provide your community with a great outdoor facility.



'Classic' Package



£14,842 ex VAT

What's Included?

- Dart Activity Centre
- 2 x Spring Riders
- Basket Swing
- Seesaw
- Delivery & Installation
- Post Installation Inspection

Surfacing Required?

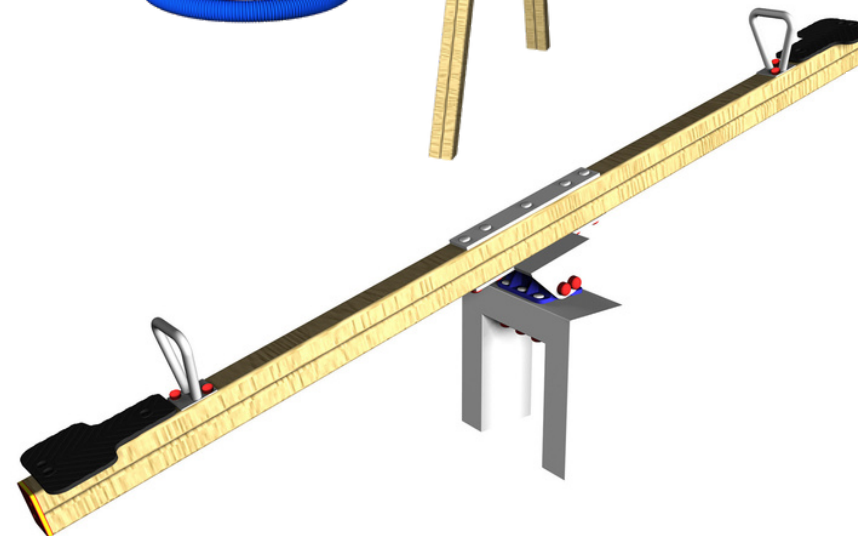
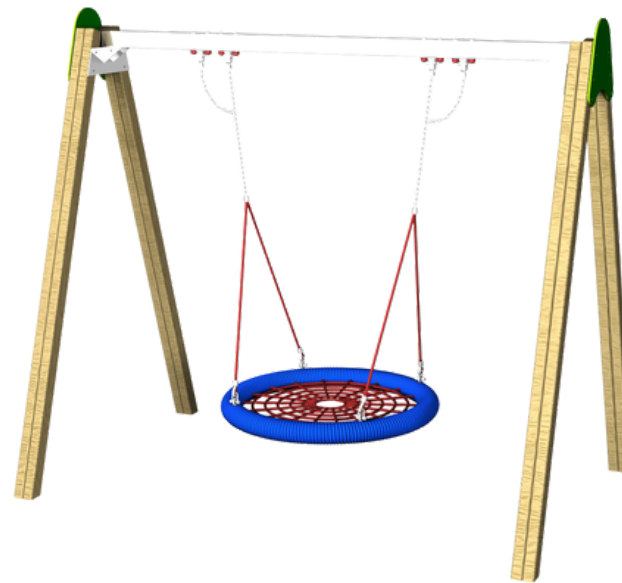
Yes, price excludes safety surfacing but can be installed onto existing / other safety surfacing

Price of 34 Grass Mats - **£1,700** ex VAT*

*Price of grass mats does not include all products, only those that require a safety surface to meet BSEN 1176 standards.
All products need to be installed into well maintained grass



Discovery Package



£18,666 ex VAT

What's Included?

- Discovery Tower
- Basket Swing
- 2 X Spring Riders
- Seesaw
- Delivery & Installation
- Post Installation Inspection

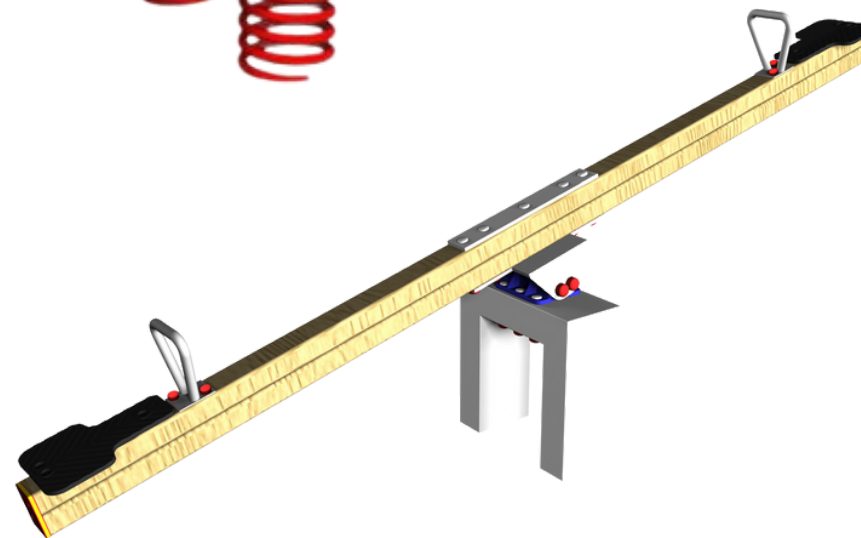
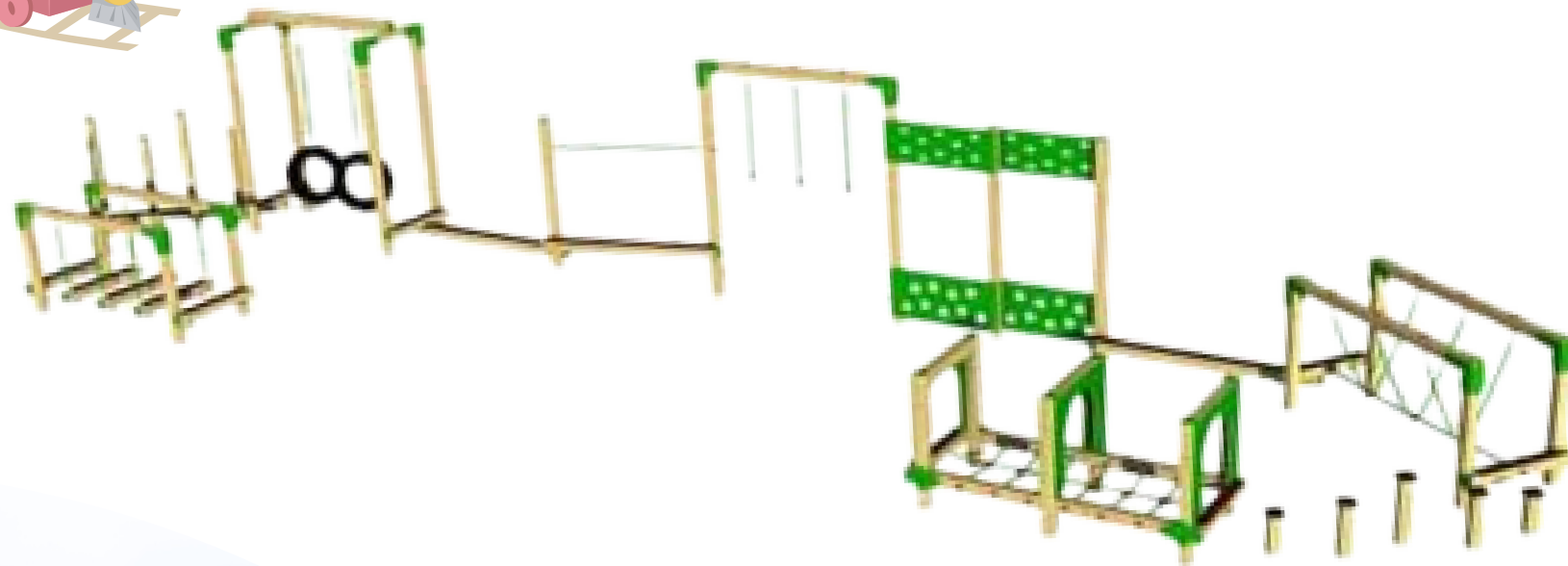
Surfacing Required?

Yes, price excludes safety surfacing but can be installed onto existing / other safety surfacing

Price of 34 Grass Mats - **£1,700** ex VAT*

*Price of grass mats does not include all products, only those that require a safety surface to meet BSEN 1176 standards.
All products need to be installed into well maintained grass

Adventure Package



£13,796 ex VAT

What's Included?

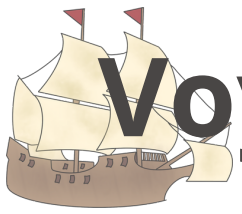
- Adventure Trail 12
- Car Spring Rider
- Double Swing Combi
- Seesaw
- Delivery & Installation
- Post Installation Inspection

Surfacing Required?

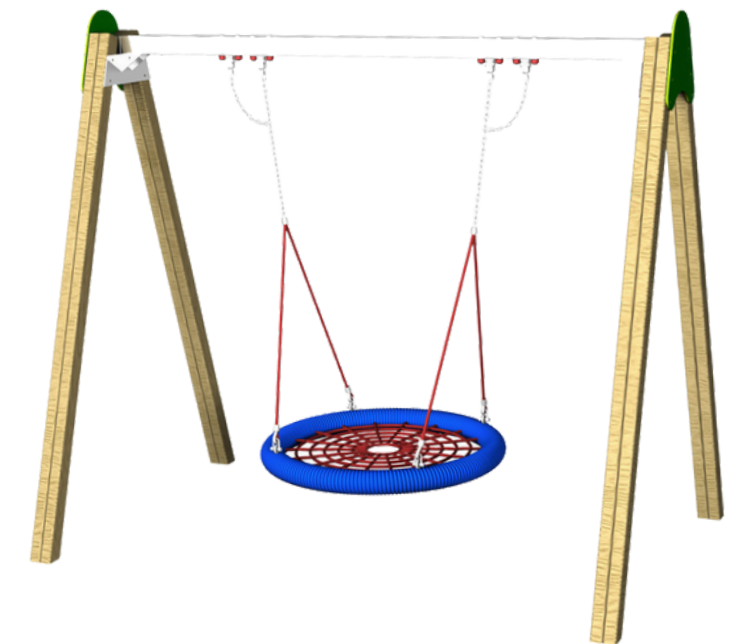
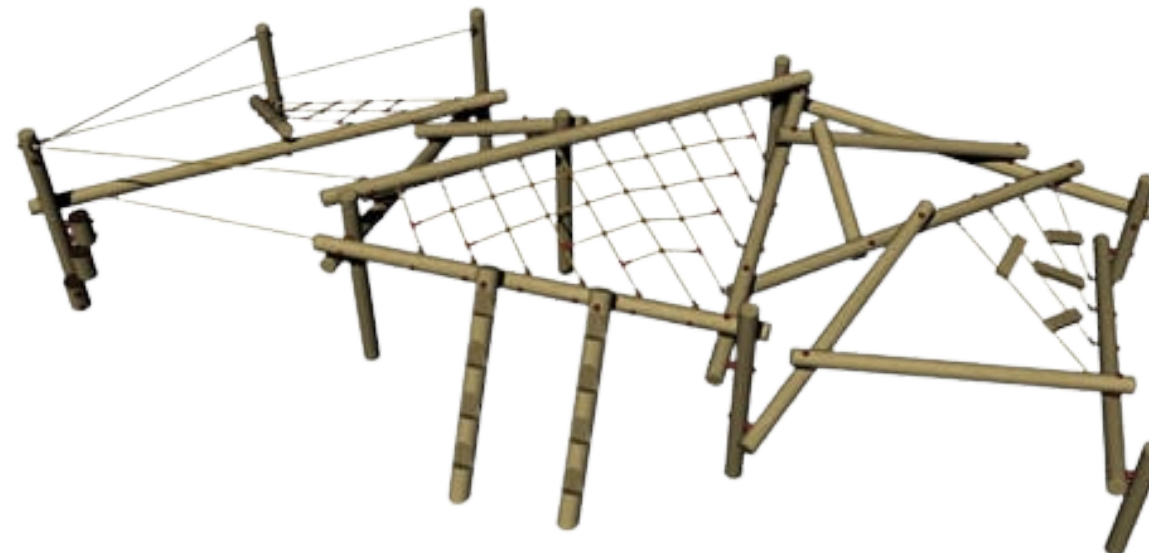
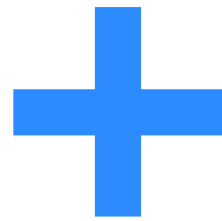
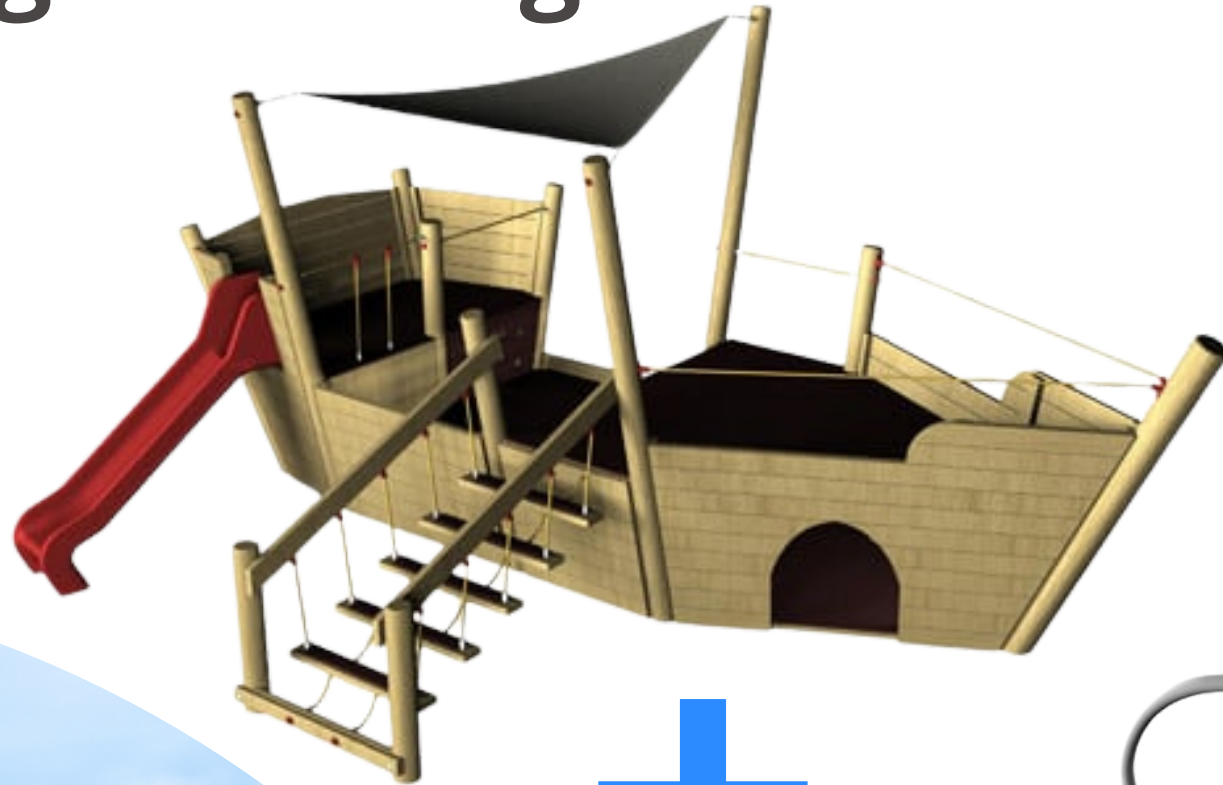
Yes, price excludes safety surfacing but can be installed onto existing / other safety surfacing

Price of 34 Grass Mats - **£1,700** ex VAT*

*Price of grass mats does not include all products, only those that require a safety surface to meet BSEN 1176 standards.
All products need to be installed into well maintained grass



Voyager Package



£31,422 ex VAT

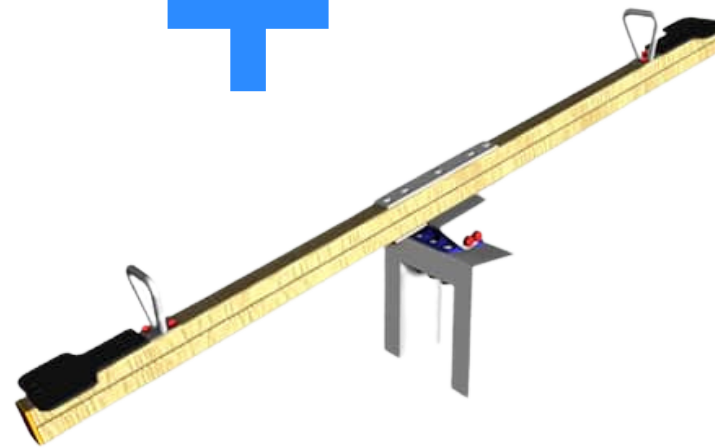
<p>What's Included?</p> <ul style="list-style-type: none"> • Pirate Ship Midi • Spinner Without Seating • Basket Swing • Jungle Climber Midi • Delivery & Installation • Post Installation Inspection 	<p>Surfacing Required?</p> <p>Yes, price excludes safety surfacing but can be installed onto existing / other safety surfacing</p>
--	---

Price of 34 Grass Mats - **£1,700** ex VAT*

*Price of grass mats does not include all products, only those that require a safety surface to meet BSEN 1176 standards.
All products need to be installed into a well maintained grass



Explorer Package



£13,630 ex VAT

What's Included?

- Land Ranger
- Seesaw
- Double Swing Combi
- Clyde Activity Centre
- Delivery & Installation
- Post Installation Inspection

Surfacing Required?

Yes, price excludes safety surfacing but can be installed onto existing / other safety surfacing

Price of 30 Grass Mats - **£1,500** ex VAT*

*Price of grass mats does not include all products, only those that require a safety surface to meet BSEN 1176 standards.
All products need to be installed into well maintained grass





Tree-Top Package



£28,232 ex VAT

What's Included?	Surfacing Required?
<ul style="list-style-type: none"> • Heartwood Woodlander • 2 x Spring Riders • 21m Aerial Runway • Seesaw • Delivery & Installation • Post Installation Inspection 	<p>Yes, price excludes safety surfacing but can be installed onto existing / other safety surfacing</p>
<p>Price of 40 Grass Mats - £2,000 ex VAT*</p> <p><small>*Price of grass mats does not include all products, only those that require a safety surface to meet BSEN 1176 standards. All products need to be installed into a well maintained grass</small></p>	