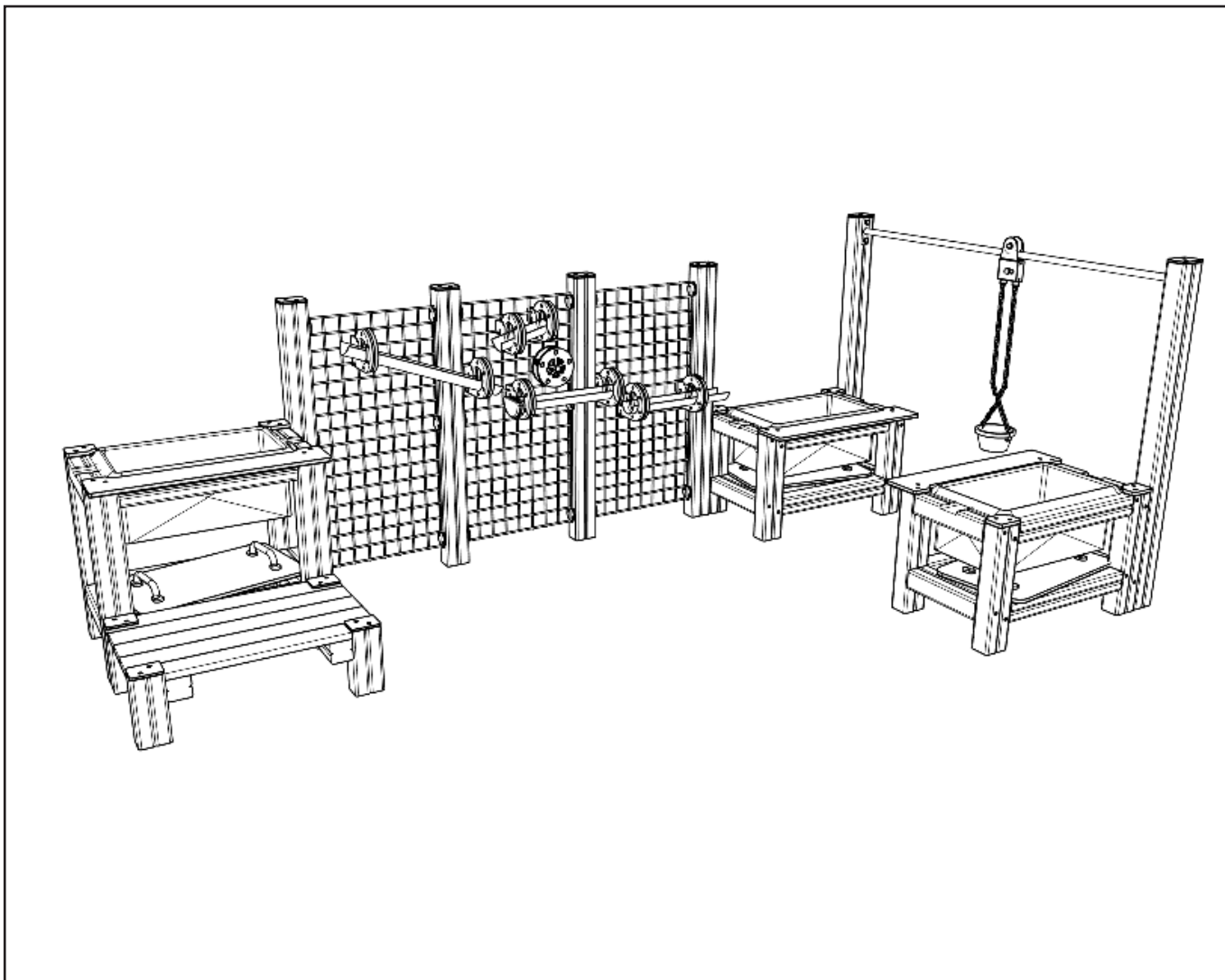
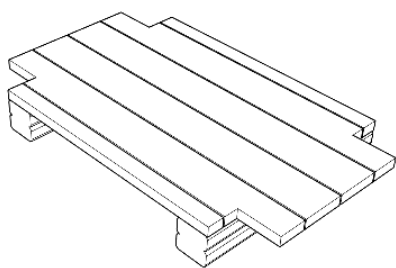


WSP212 - BANDA

Installation Instructions

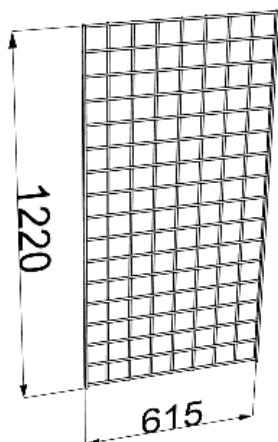


WSP212 -



x1

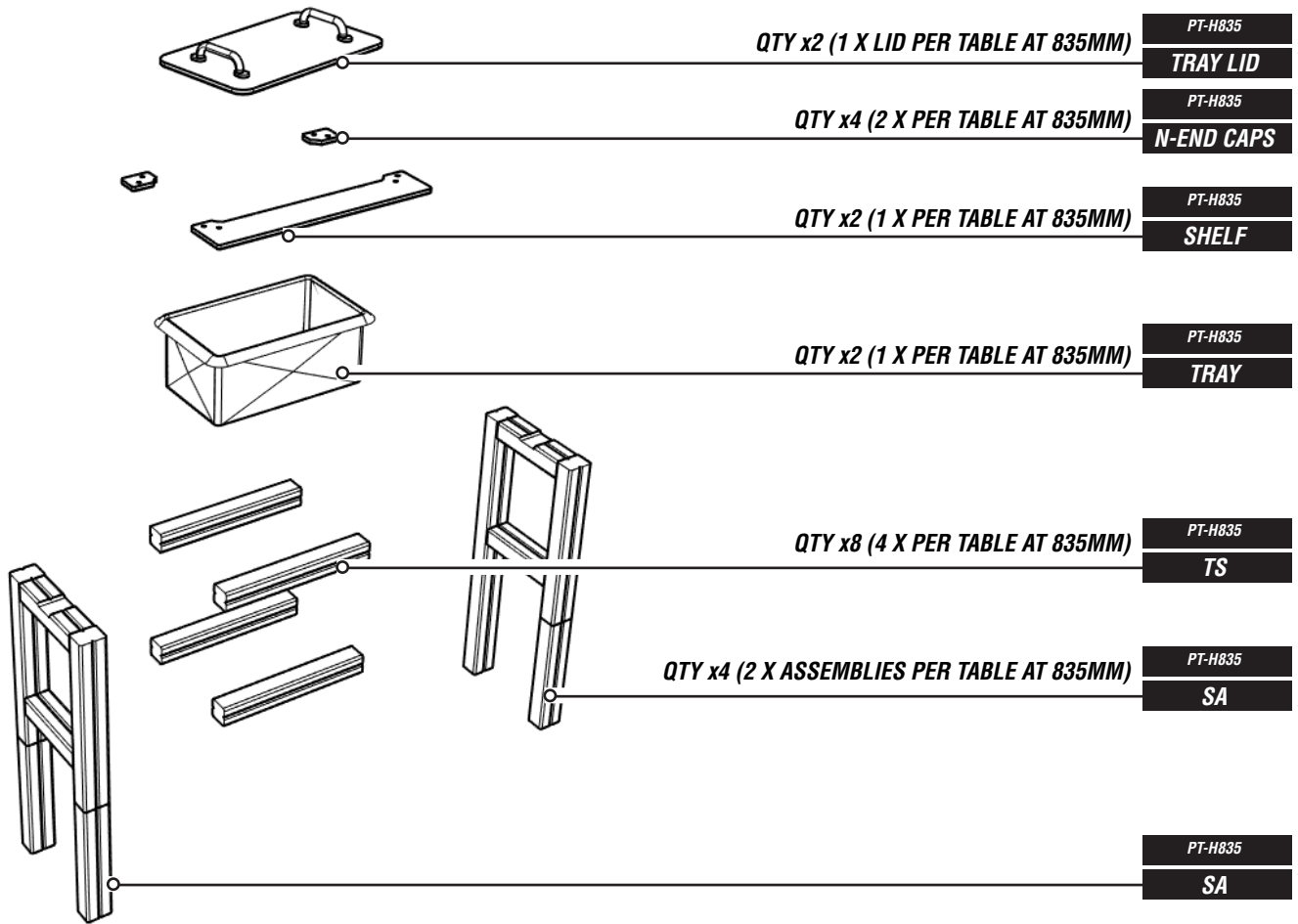
P945X585 - PLAT



x3

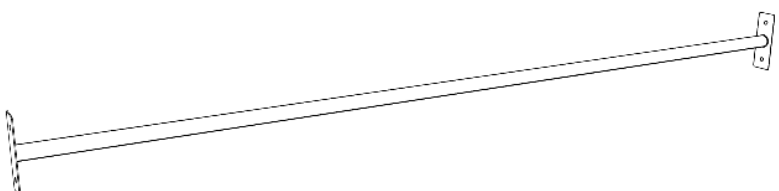
GRIDWALL MESH

PARTS REQUIRED



x1

PT-H835 - PLAY TABLE PARTS (835MM HEIGHT)



x1

WSPM6 - SAND LIFT RAIL

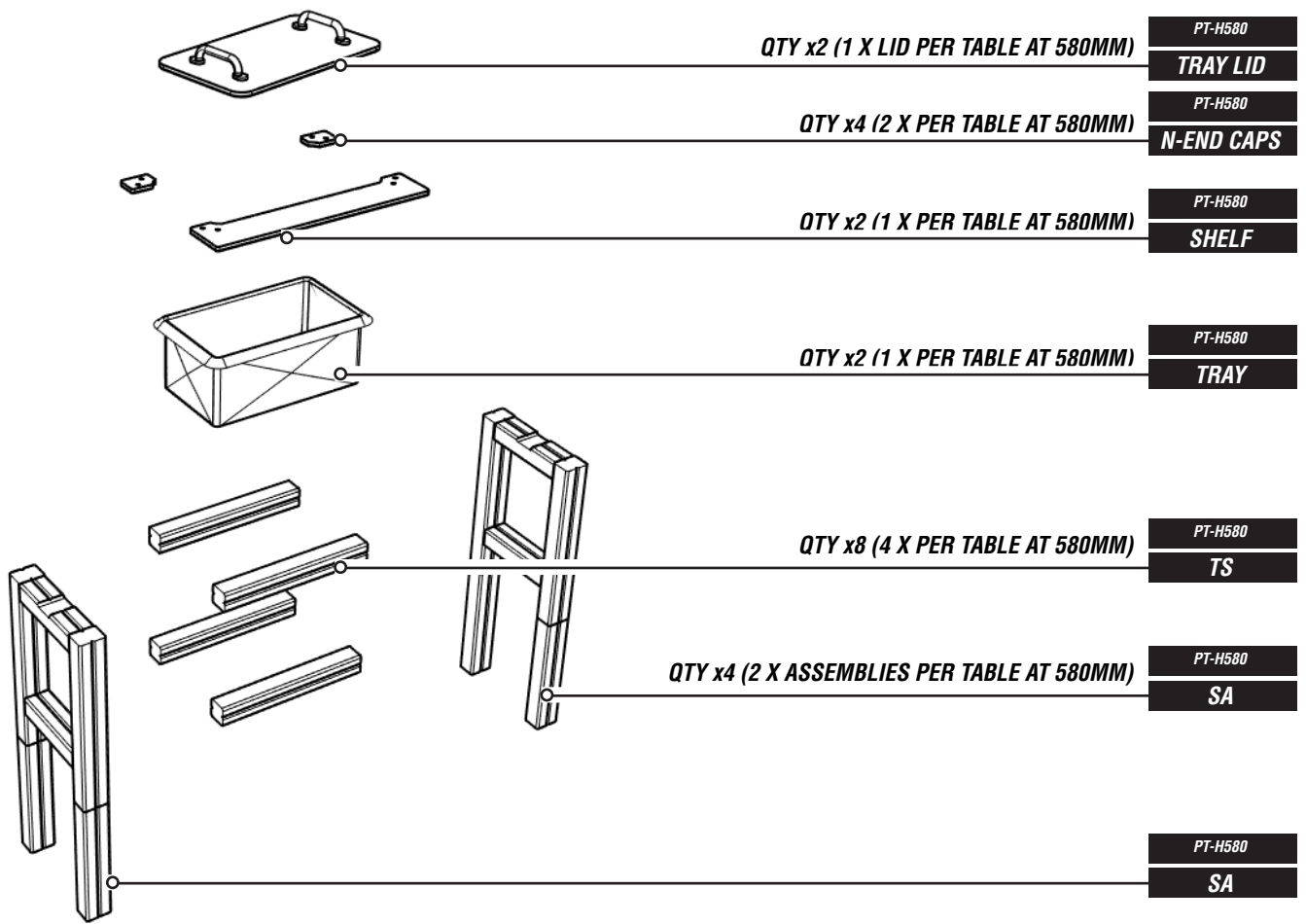


TO INCLUDE:
 - QUICKLINK
 - CHAIN @ 1.8M
 - SAND BUCKET

x1

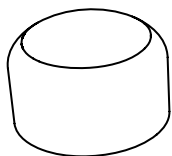
MOVEABLE SAND LIFT

PARTS REQUIRED



x2

PT-H580 - PLAY TABLE PARTS (580MM HEIGHT)



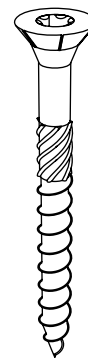
x4

102001-0 - M8



x56

97.M8X180CSK



x68

97.M8X80CSK

PARTS REQUIRED TIMBERS (LOOSE)

CODE	TYPE	SIZE	QTY	END	ADDITIONAL INFORMATION
------	------	------	-----	-----	------------------------

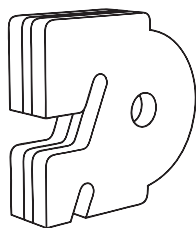
P945X585 T	120x90	883	4	END CAP (120X90 - 19MM)	LOOSE UPRIGHTS
---------------	--------	-----	---	----------------------------	----------------

PCRANE-1600a	120X90	2200	2	END CAP (120X90 - 19MM)	LOOSE UPRIGHT TIMBERS
--------------	--------	------	---	----------------------------	-----------------------

CODE	TYPE	SIZE	QTY	END	ADDITIONAL INFORMATION
------	------	------	-----	-----	------------------------

WWALL-A	120X90	2000	4	END CAP (120X90 - 19MM)	UPRIGHT (LOOSE)
---------	--------	------	---	----------------------------	--------------------

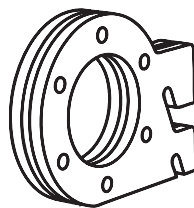
PARTS REQUIRED - WATERWALL (ITEMS FOR BOX)



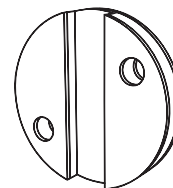
x6



x12



x16



x20

FOAM PARTS & ATTACHMENT CLIPS



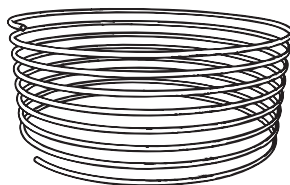
x2 - 800MM

x2 - 600MM

x2 - 400MM

x6

WATER CHANNELS

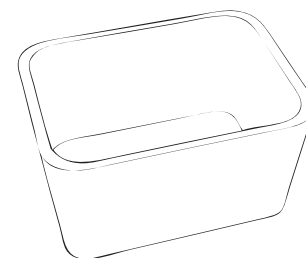


x2 - 600MM

x2 - 800MM

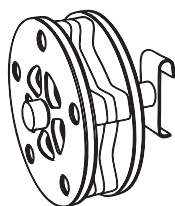
x4

CLEAR PLASTIC TUBE



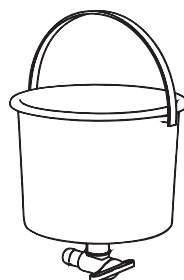
x1

PLASTIC BOX



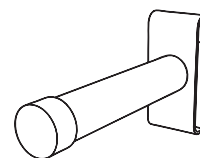
x2

WATERWHEEL



x1

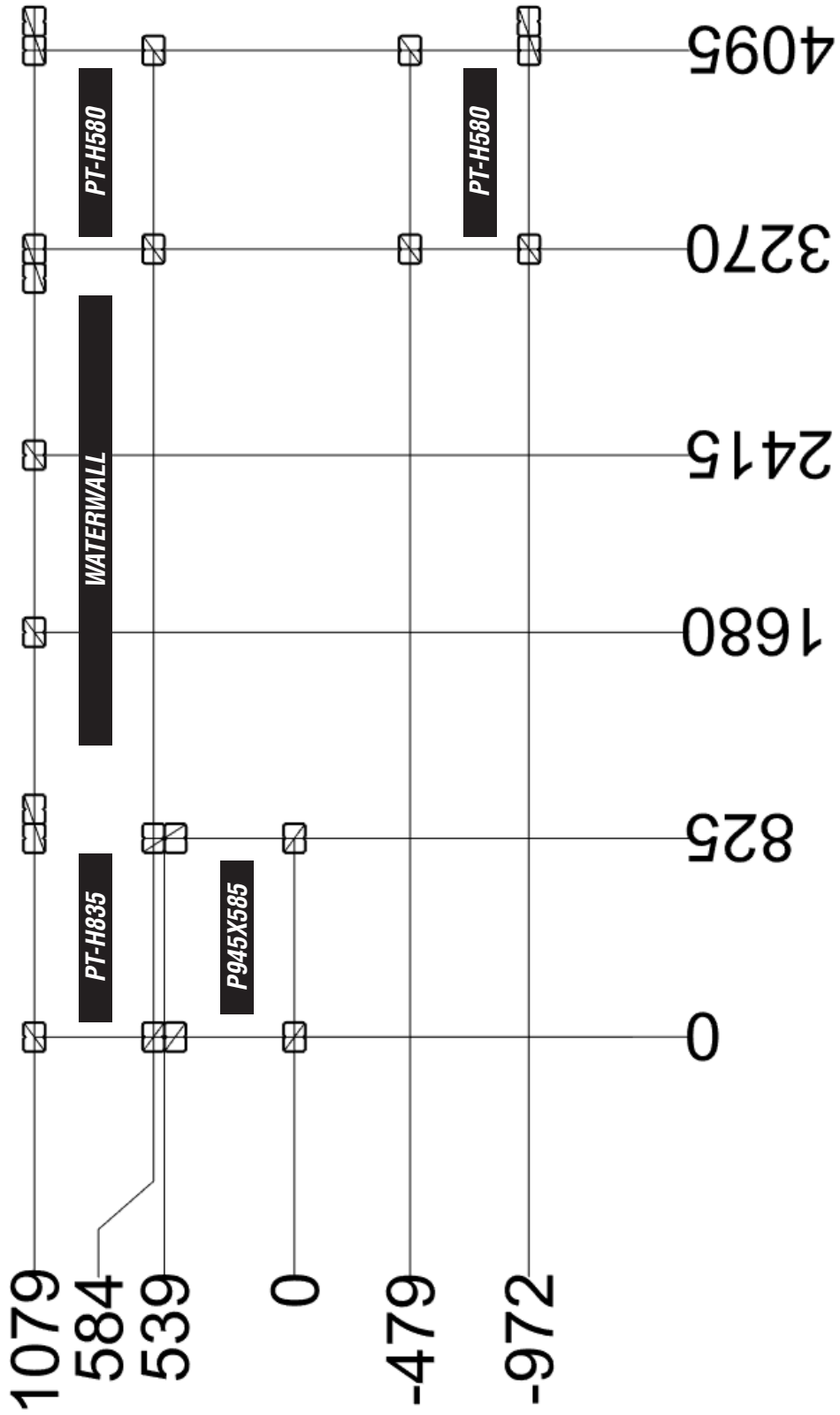
BUCKET WITH VALVE



x2

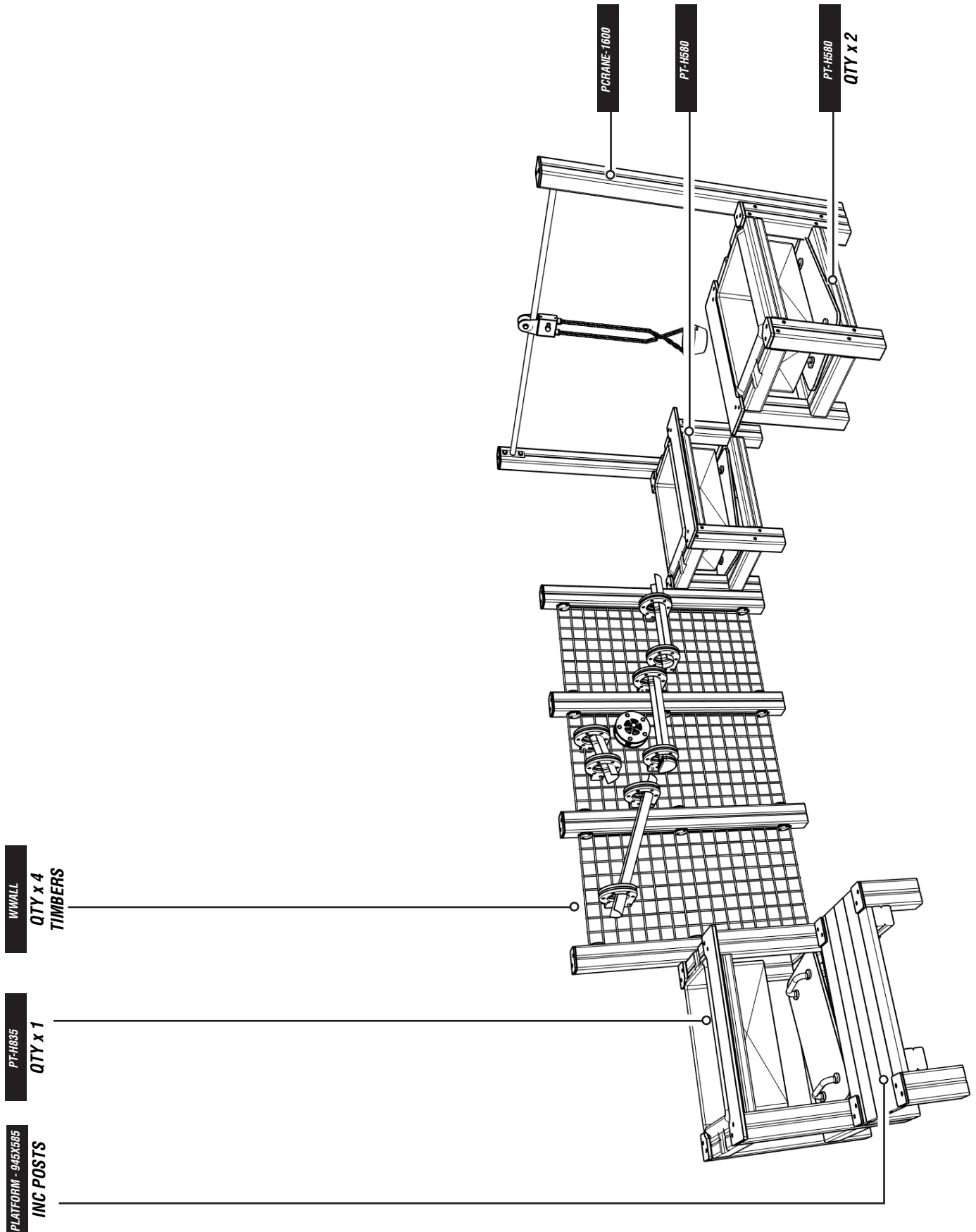
WATER WHEEL HANGER

FOUNDATION DETAILS



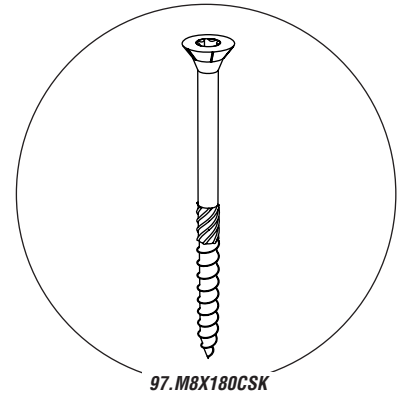
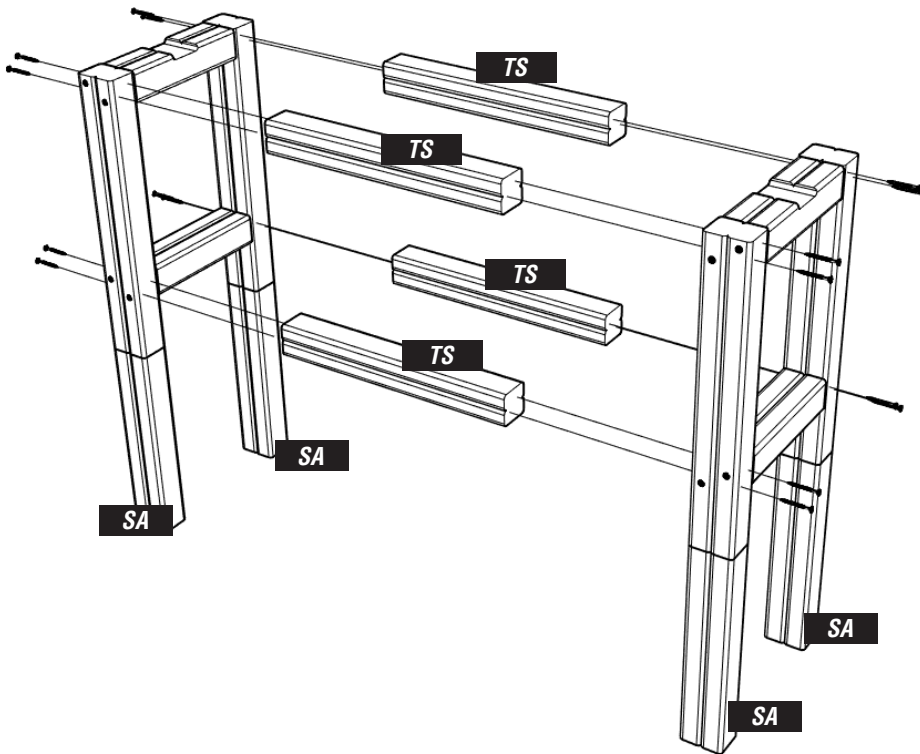
INSTALLATION INSTRUCTIONS

PRE-ASSEMBLE THE VARIOUS ELEMENTS / PARTS

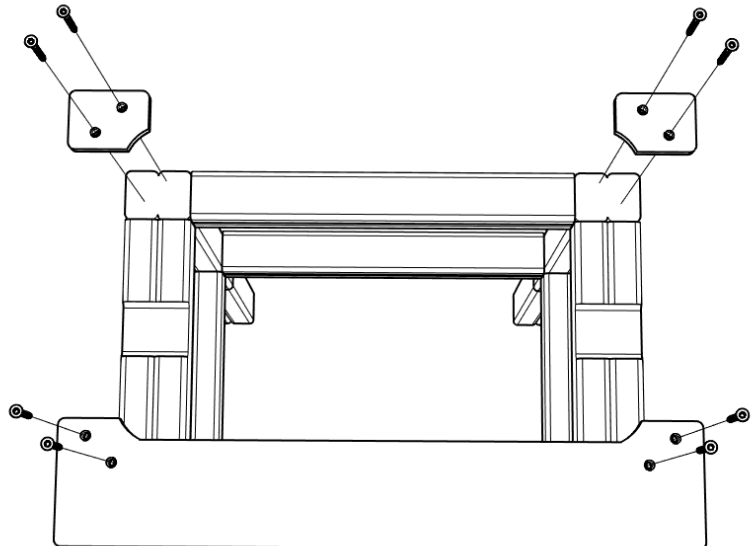
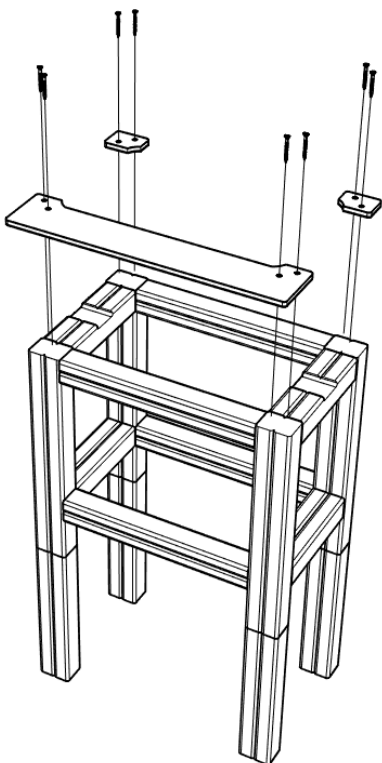


INSTALLATION INSTRUCTIONS

1 PRE-ASSEMBLE - QTY x 2 - PT-H580 / QTY x 1 - PT-H835
USING - 97.M8X180CSK (16 PER TABLE)



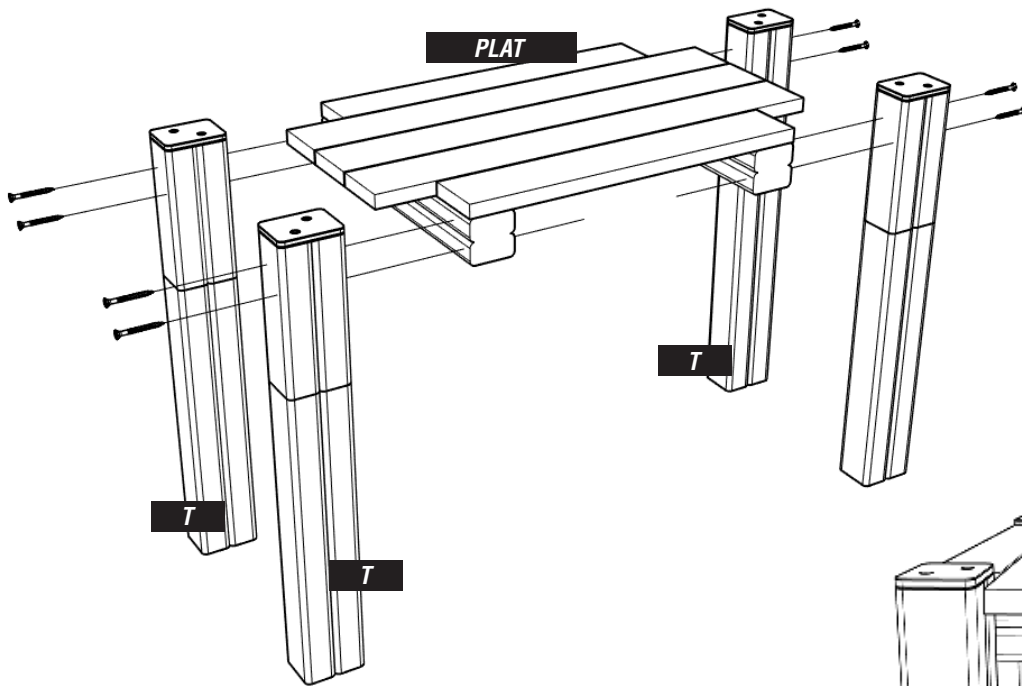
2 ATTACH THE PLAYTEC CAPS & SHELF
USING - 97.M8X80CSK (8 PER TABLE)



NOTES:
SCREWS ARE ALL CLOSE GOING THROUGH THE SAME TIMBER(S) - YOU MAY NEED TO SLIGHTLY 'SKEW' THE END CAP SCREWS

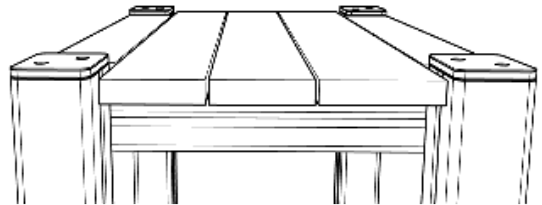
INSTALLATION INSTRUCTIONS

3 PRE-ASSEMBLE - QTY x 1 - PLATFORMS (945X585) USING - 97.M8X180CSK (8 PER TABLE)

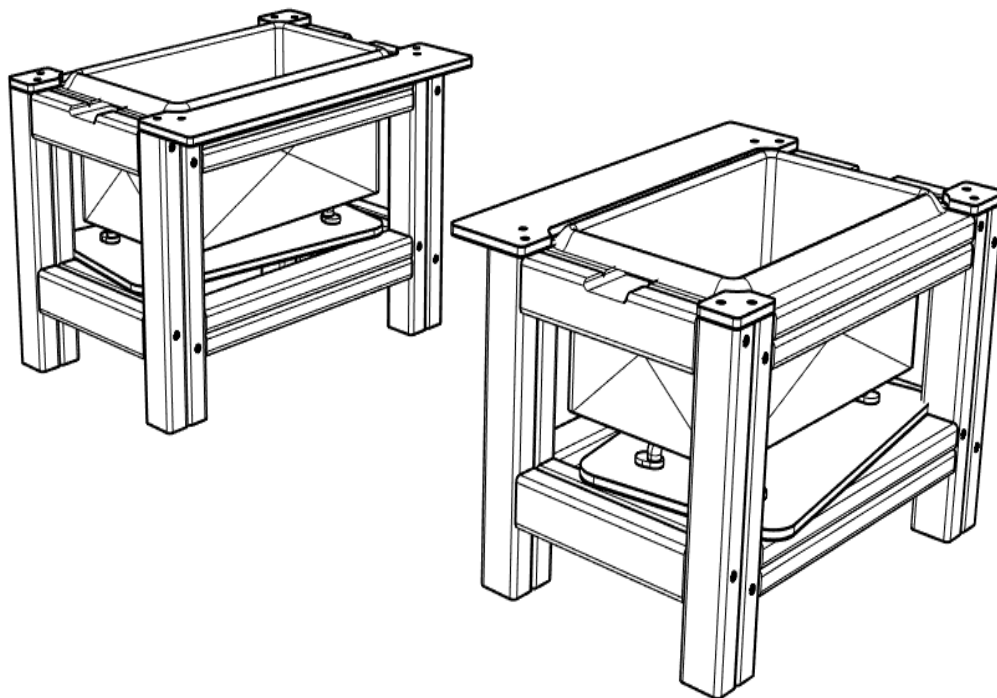


NOTES:
ENSURE THE PLATFORMS
ARE INSTALLED / ASSEMBLED
AS SHOWN BELOW.

TIMBERS LEVEL / FLUSH,
END CAPS RAISED



4 POSITION THE PRE-ASSEMBLED TABLES FOLLOWING GROUNDPLAN

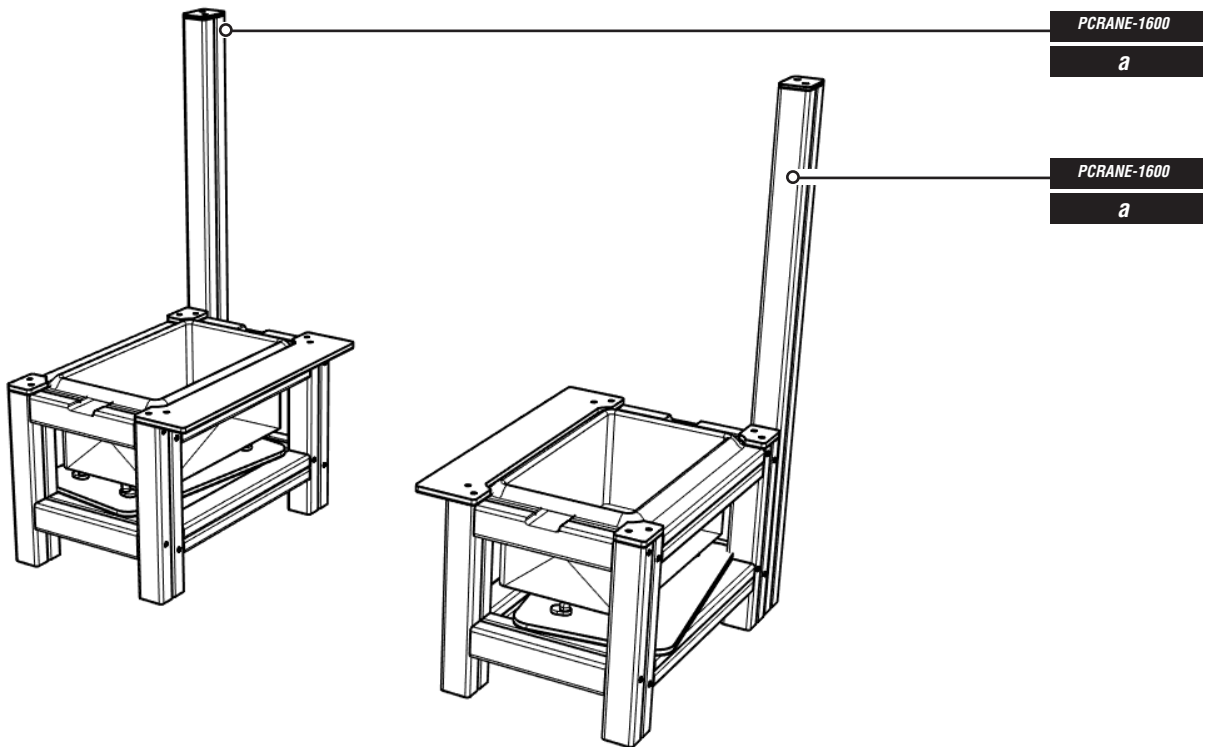


INSTALLATION INSTRUCTIONS

5

POSITION THE CRANE UPRIGHT TIMBERS

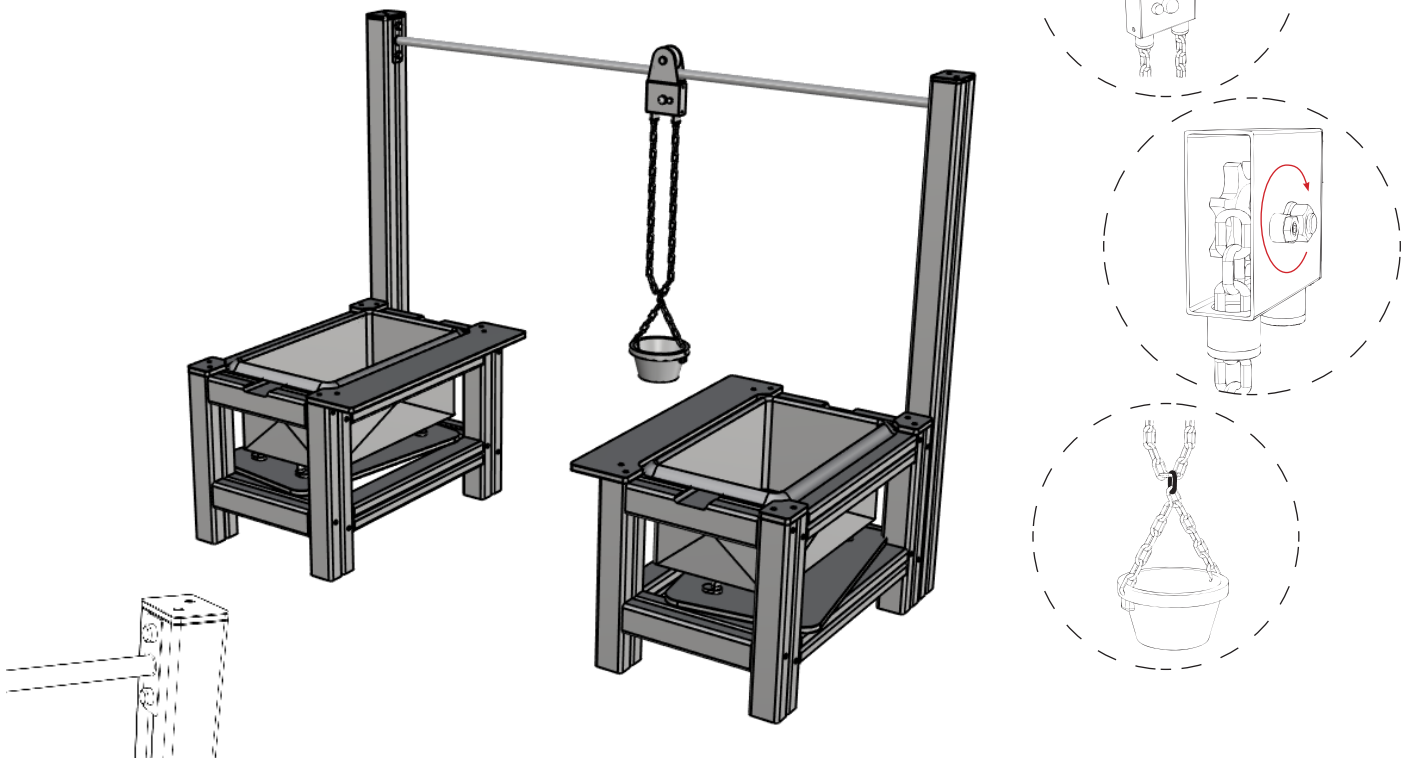
FOLLOWING GROUNDPLAN - THESE ARE POSITIONED AGAINST THE TRAYS AS SHOWN



6

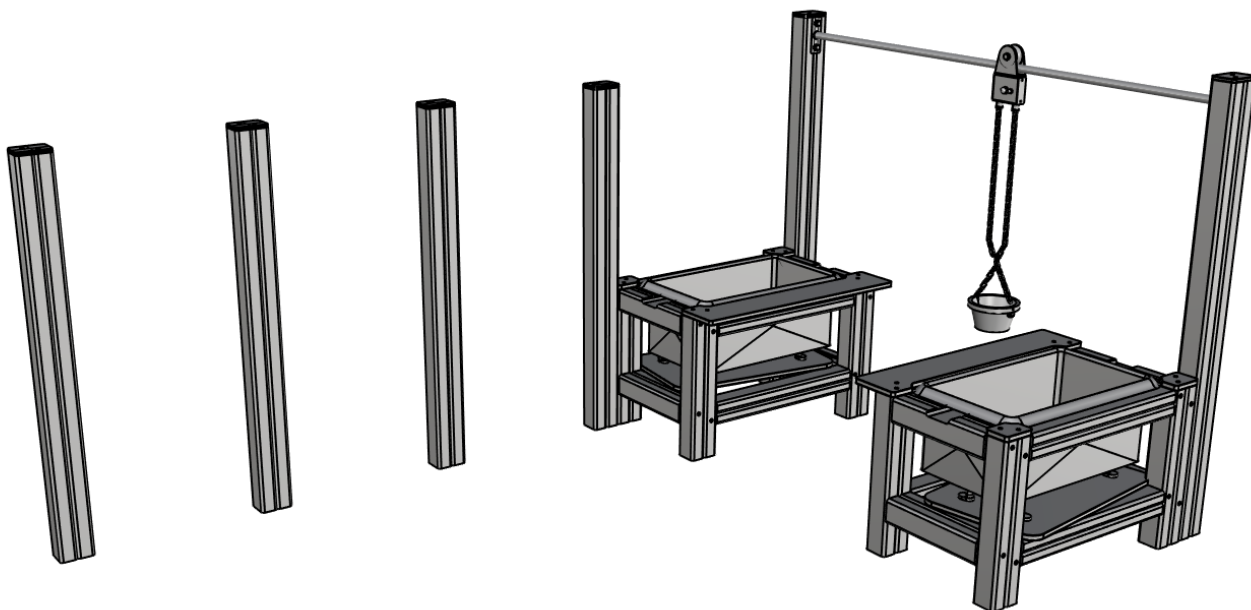
ATTACH THE SAND LIFT RAILS (QTY X 2)

USING - 97.M8X80CSK & 102001-0-M8 COVERED END CAPS

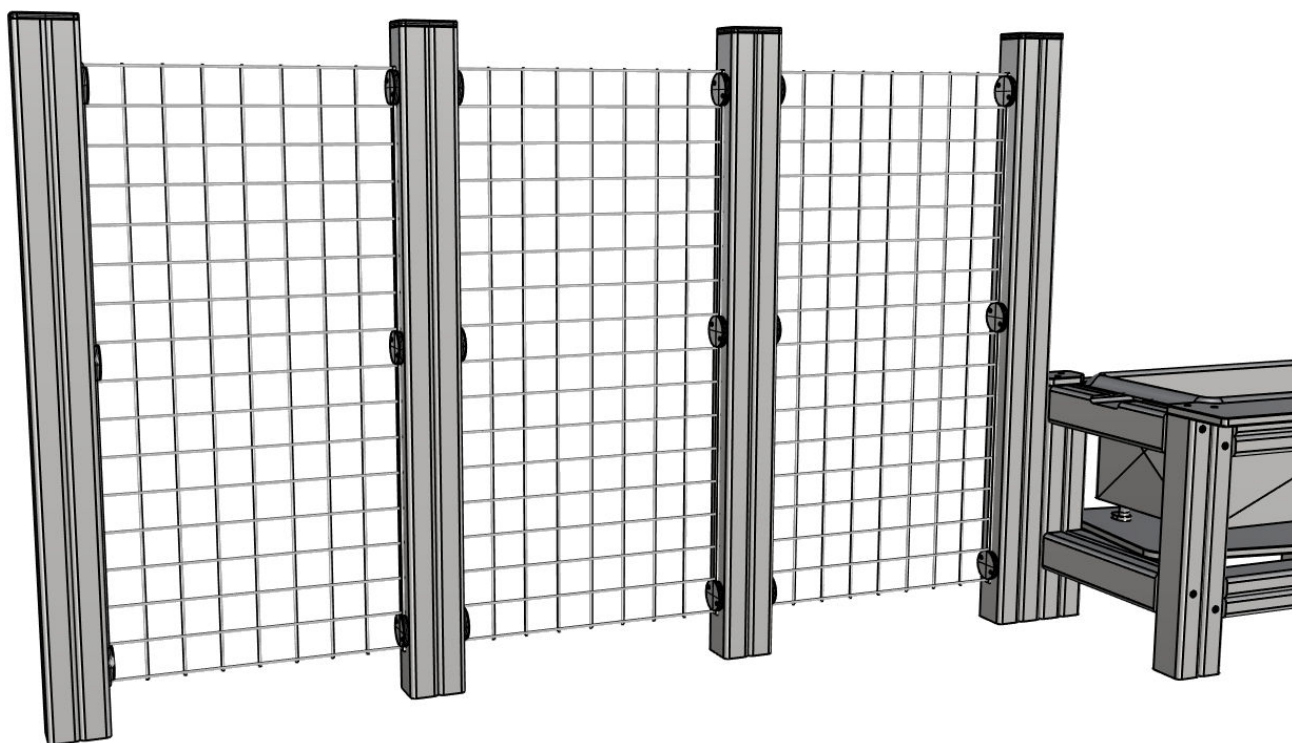


INSTALLATION INSTRUCTIONS

- 7** **INSTALL WATERWALL TIMBERS - WWALL-A**
DISTANCE BETWEEN EACH TIMBER (OUTSIDE TO OUTSIDE) - 615MM



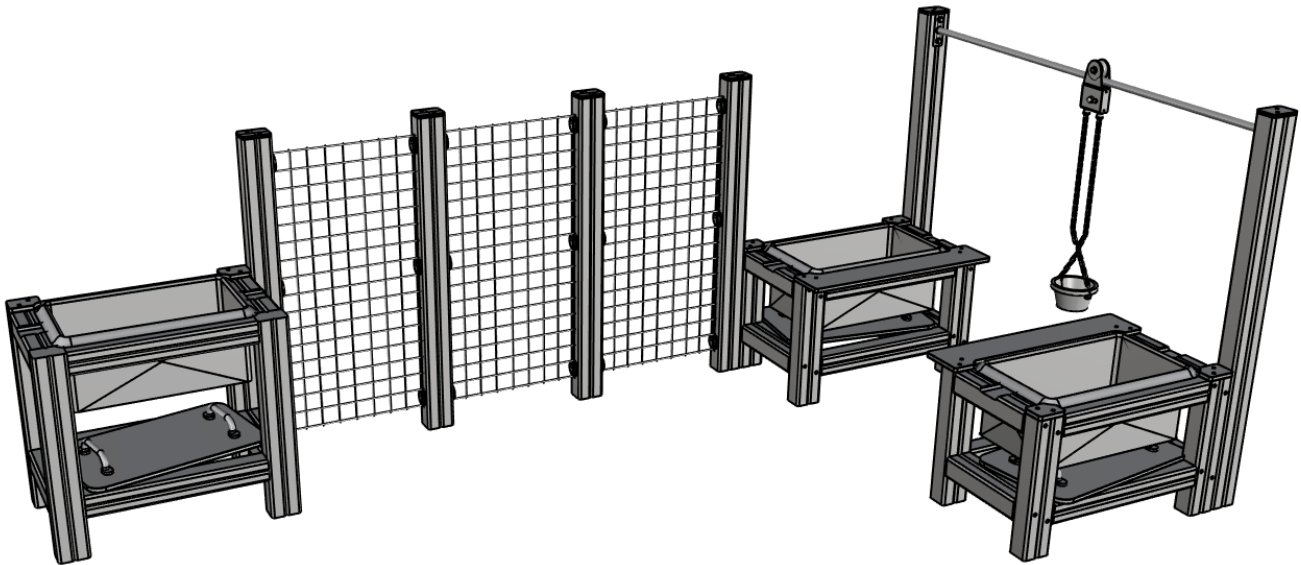
- 8** **ATTACH GRIDWALL MESH TO UPRIGHT TIMBERS**
USING - 97.M8X80CSK (36)



INSTALLATION INSTRUCTIONS

9

**POSITION THE PRE-ASSEMBLED TABLE (PT-H835)
FOLLOWING GROUNDPLAN**



10

**POSITION THE PRE-ASSEMBLED PLATFORM 945X585
FOLLOWING GROUNDPLAN**

