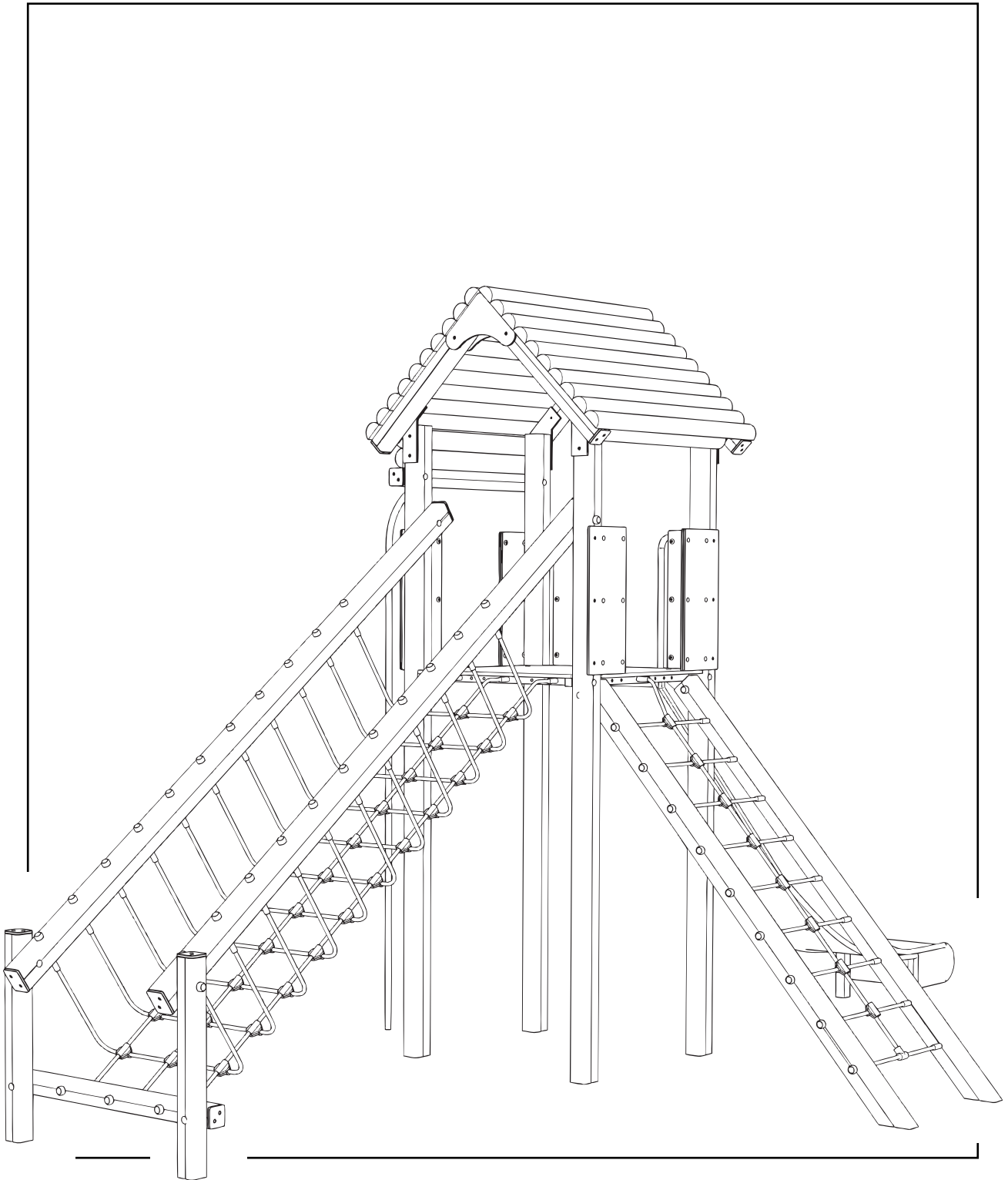


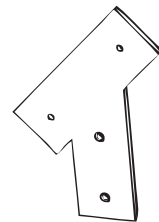
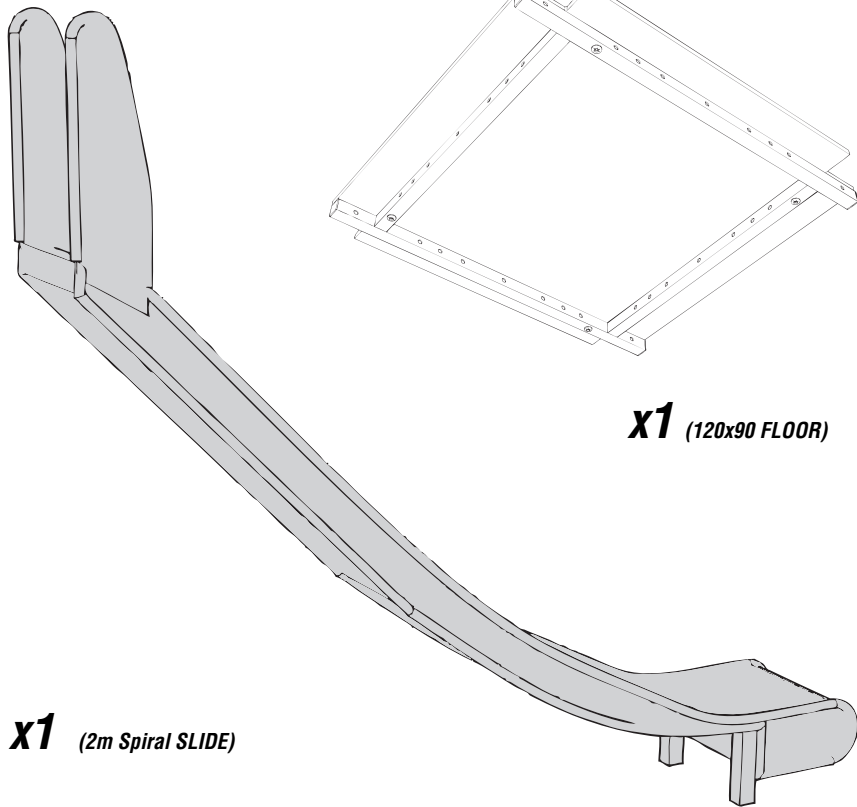
# **FORT LEAVENWORTH**

## ***Installation Instructions***

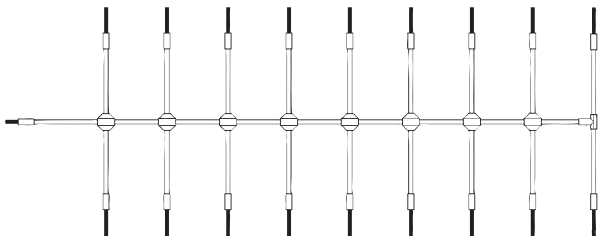
**creative  
play**



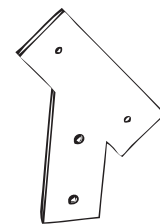
# PARTS required



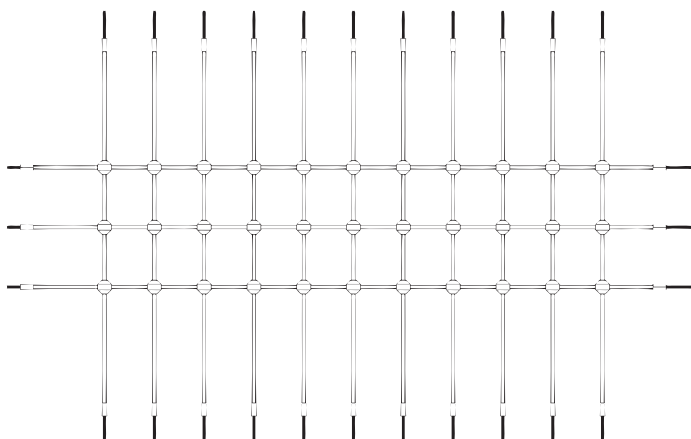
**x2** (LEFT ROOF)



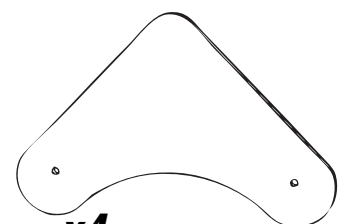
**x1** (INCLINED NET)



**x2** (RIGHT ROOF)

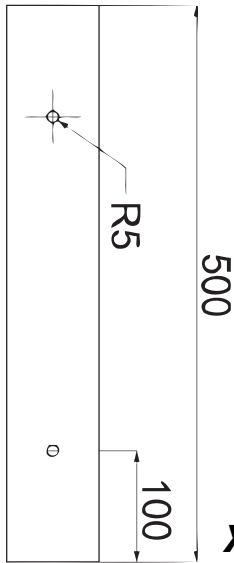


**x1** (NET RAMP)

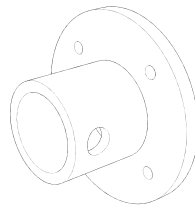


**x4** (L ROOF)

# METAL required



**x16** (METAL PLATE)

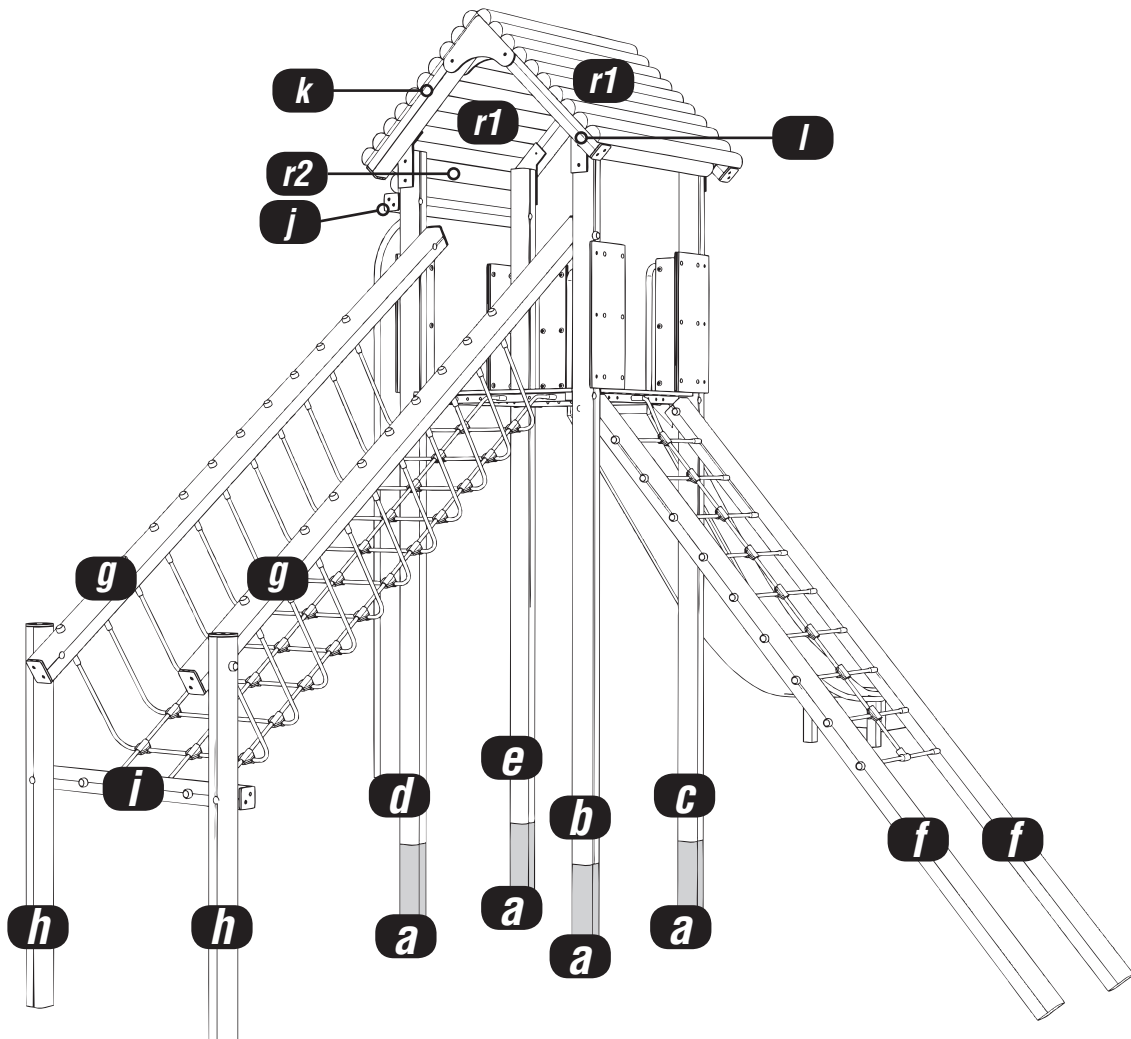


**x1** (Firefighters POLE RING)



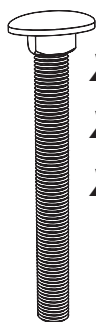
**x1** (Firefighters Pole)

# TIMBERS required



# FIXINGS required

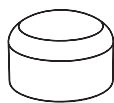
---



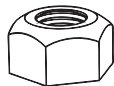
**x2** (M12 x 230 Square Cup HEX bolt)

**x8** (M12 x 200 Square Cup HEX bolt)

**x4** (M12 x 150 Square Cup HEX bolt)



**x81** (end caps)



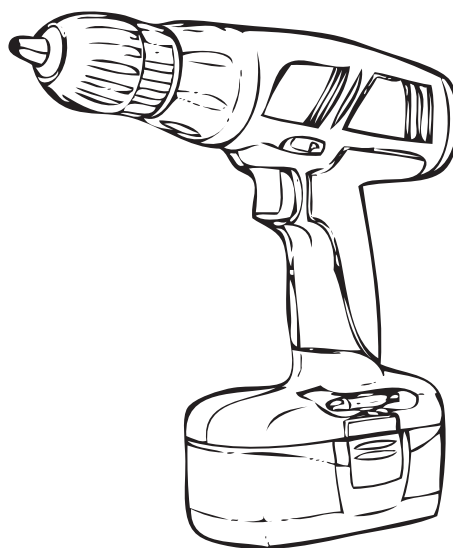
**x81** (M12 'NYLOC')



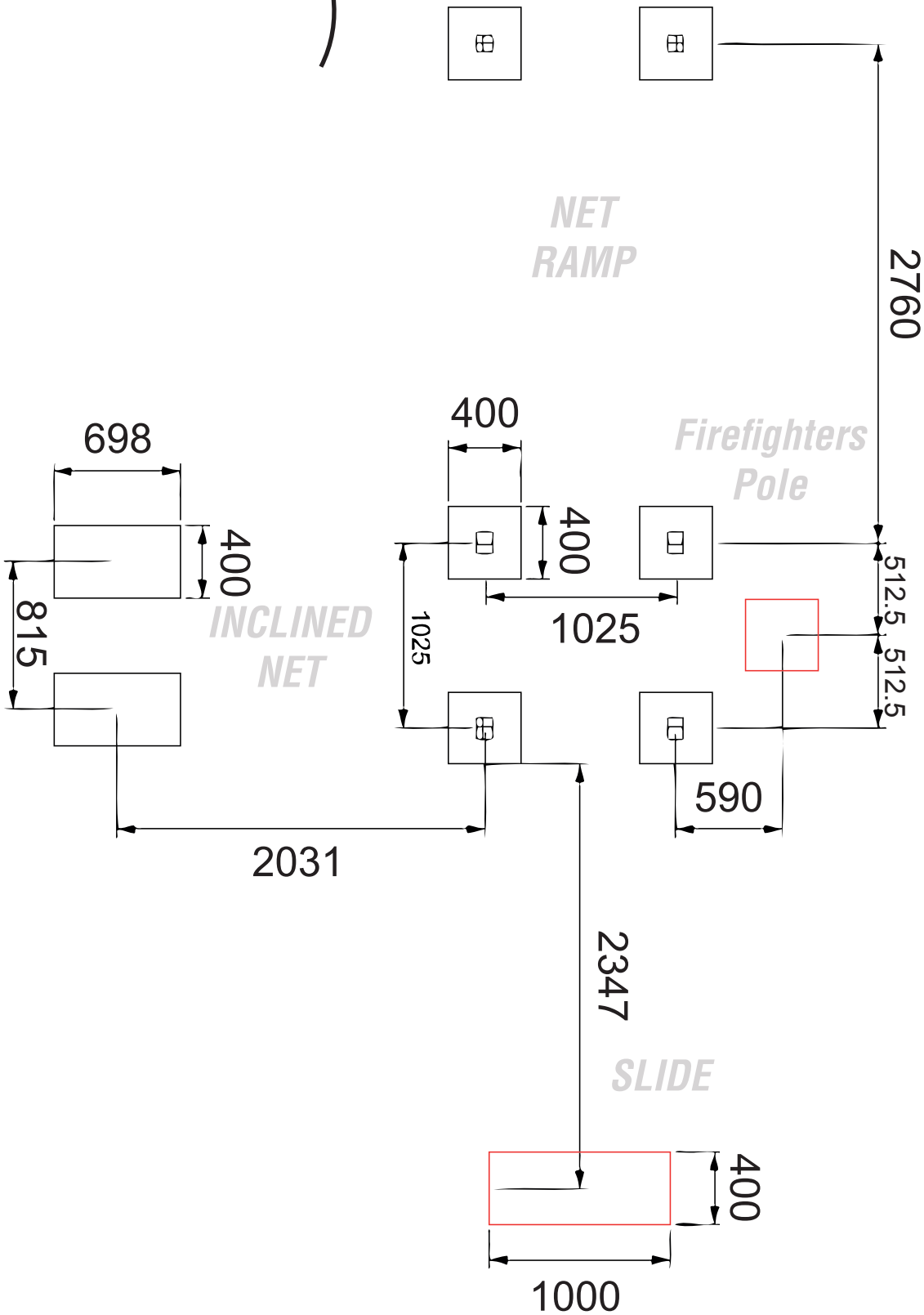
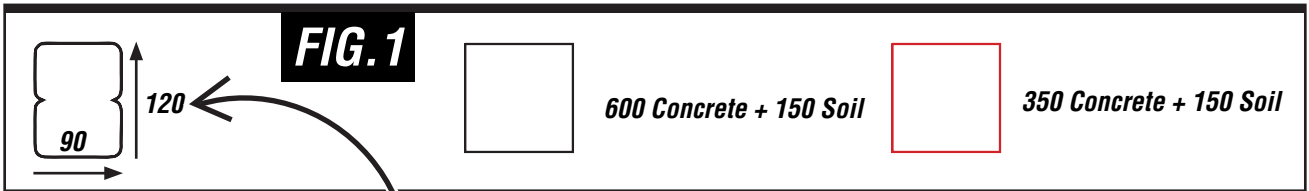
**x119** (FM80 'Brass screws')

# TOOLS required

---

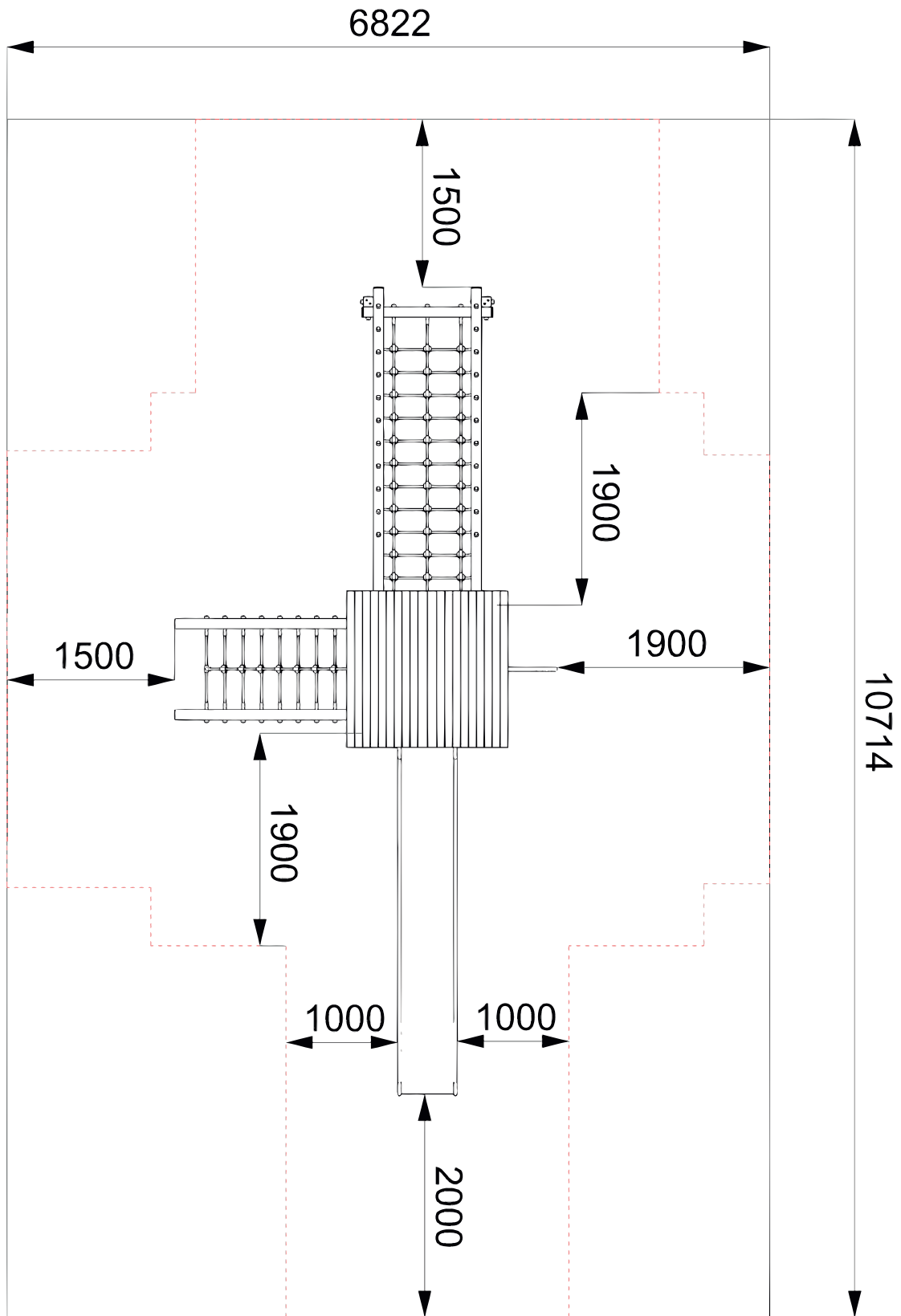


# Foundation Details



# Surfacing Details

----- = MINIMUM SPACE  
———— = SURFACE AREA

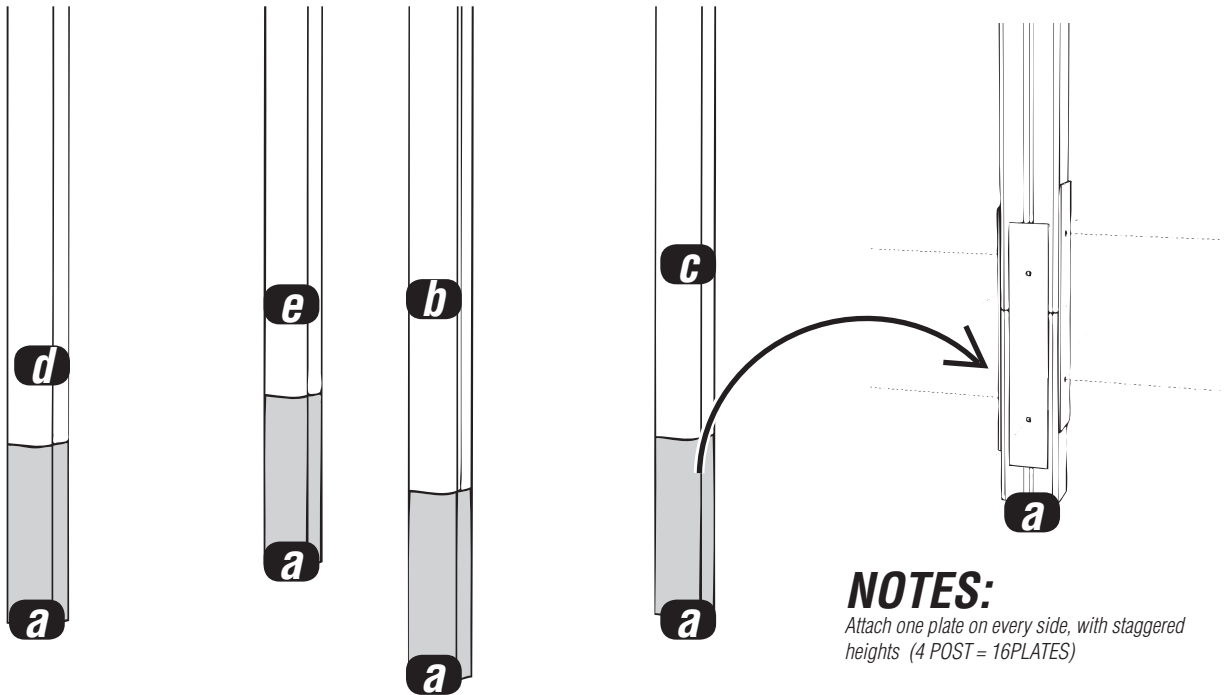


# Installation Instructions

**1**

## Attach the Timbers ZM102a to the Timbers ZM102b/c/d/e

Follow foundation details and using 32 x FM80 'Brass Screws'



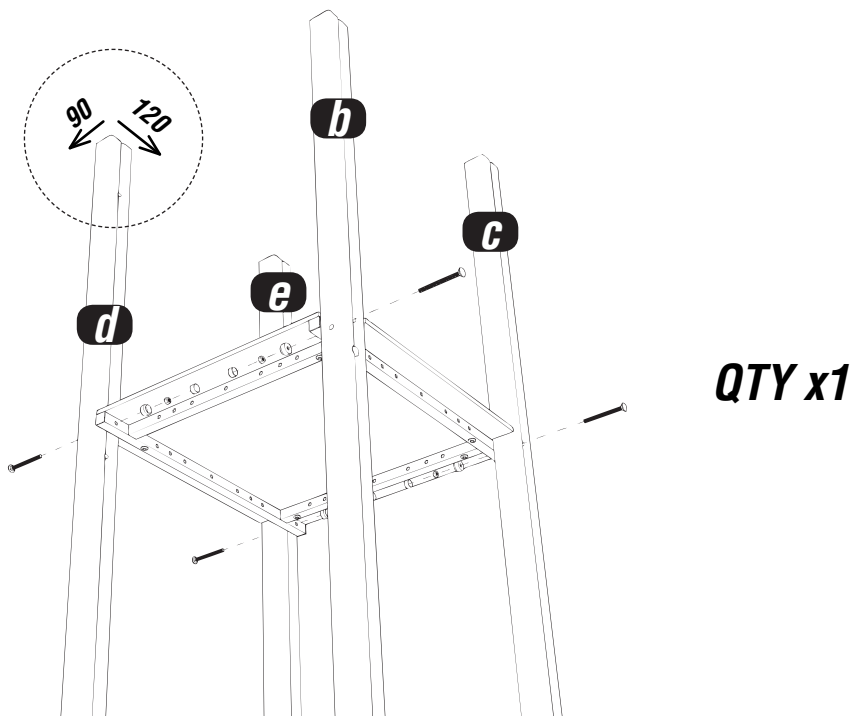
### NOTES:

Attach one plate on every side, with staggered heights (4 POST = 16 PLATES)

**2**

## Attach the FLOOR to the Timbers ZM102b/c/d/e

Using M12 - 4x 150mm square cup bolt / 4x NYLOCS / 4x COVERED END CAPS

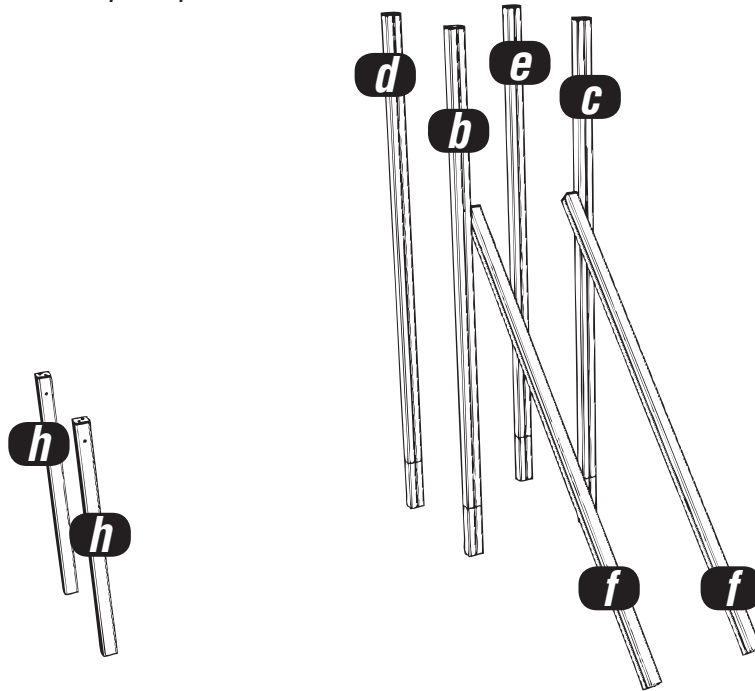


# Installation Instructions

**3**

**Attach the Timbers ZM102f to the Timbers ZM102b/c and INSTALL ZM102h** (Following foundation details)

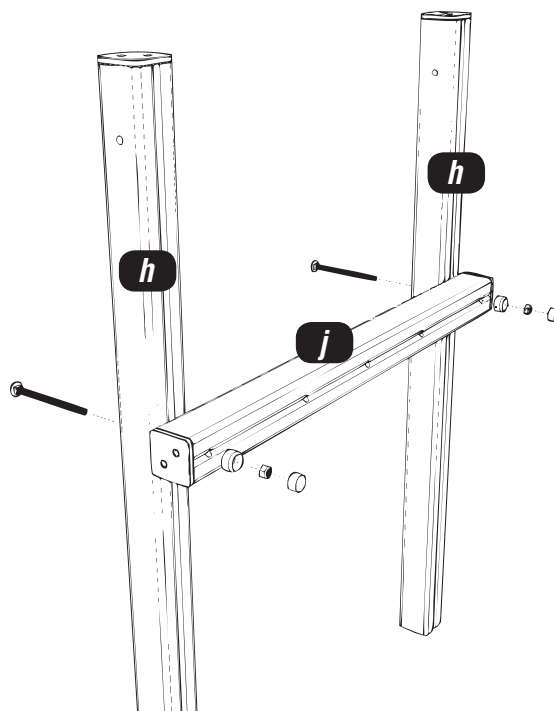
Using M12 - 4x 150mm square cup bolt / 4x NYLOCS / 4x COVERED END CAPS



**4**

**Attach the Timber ZM102ad to the timbers W0101ae**

Using (2x 200mm) M12 - square cup bolt / 2x NYLOCS / 2x Covered end cap



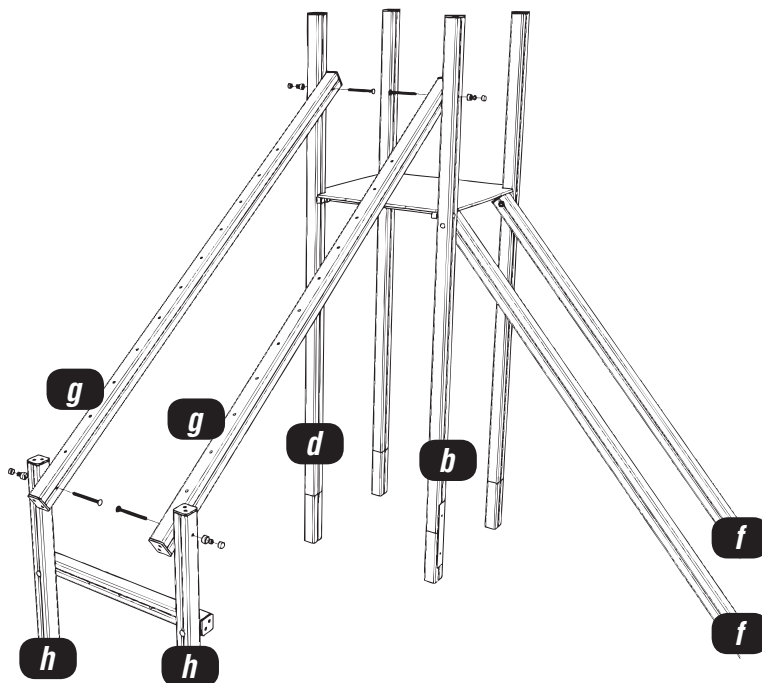


# Installation Instructions

**5**

**Attach the Timbers ZM102g to the Timbers ZM102b/d**

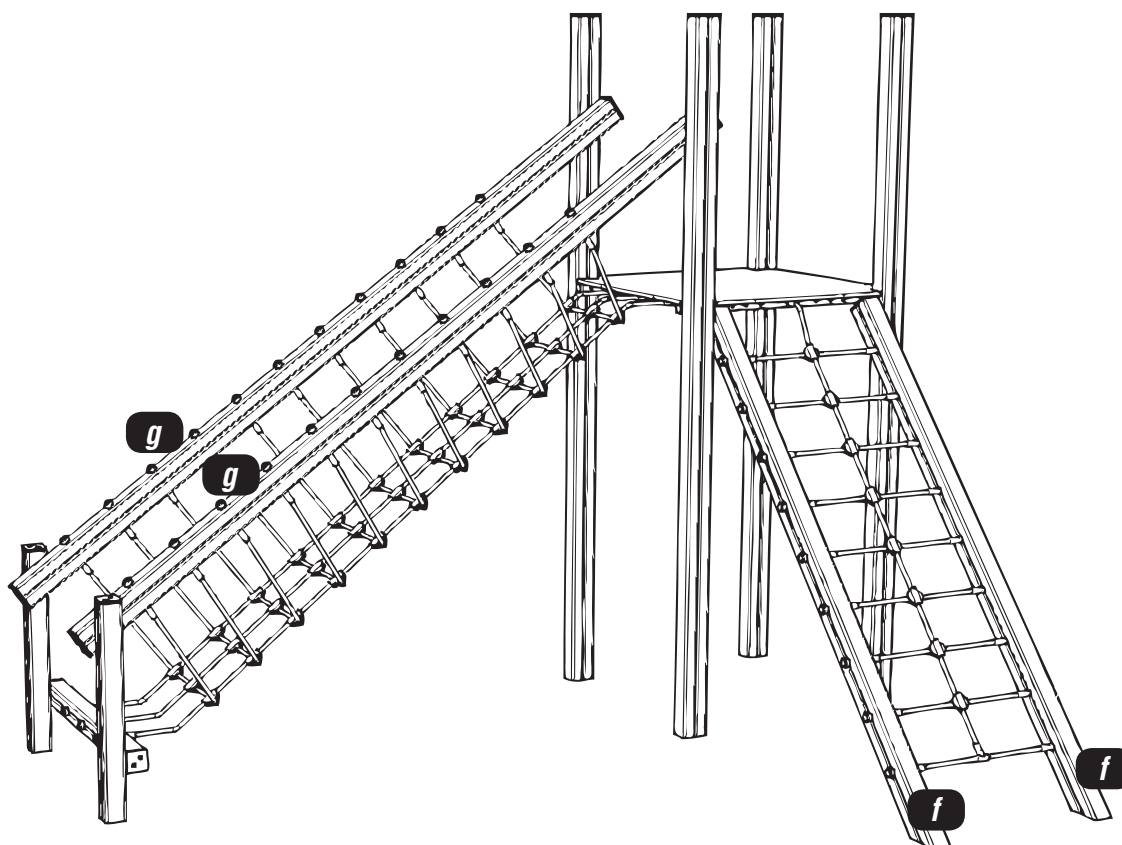
Using M12 - 4x 200mm square cup bolt / 4x NYLOCS / 4x COVERED END CAPS



**6**

**Attach the RAMP NET and INCLINED NET to the timbers WO102f/g**

Using 47x NYLOCS / 47x Covered end cap

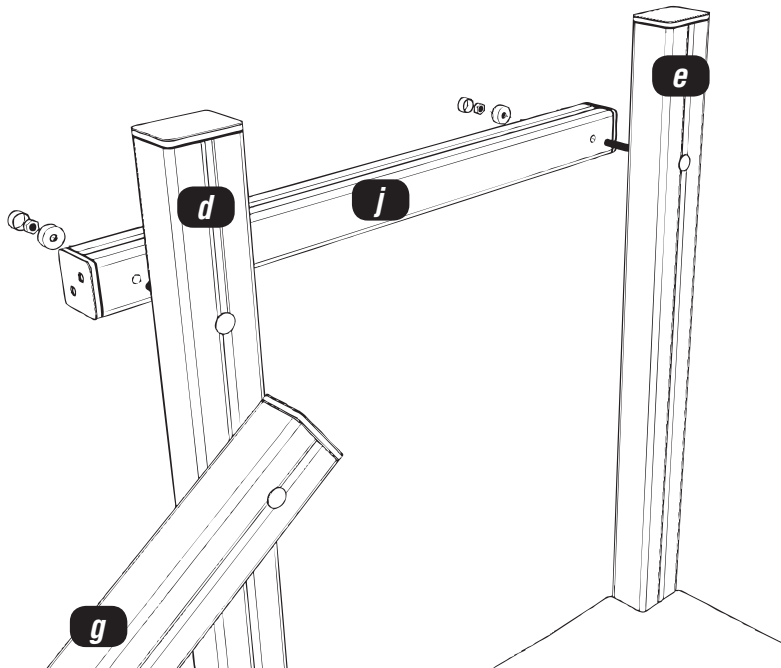


# Installation Instructions

**7**

## Attach the **TIMBER WO102j** to the **TIMBERS WO102d/e**

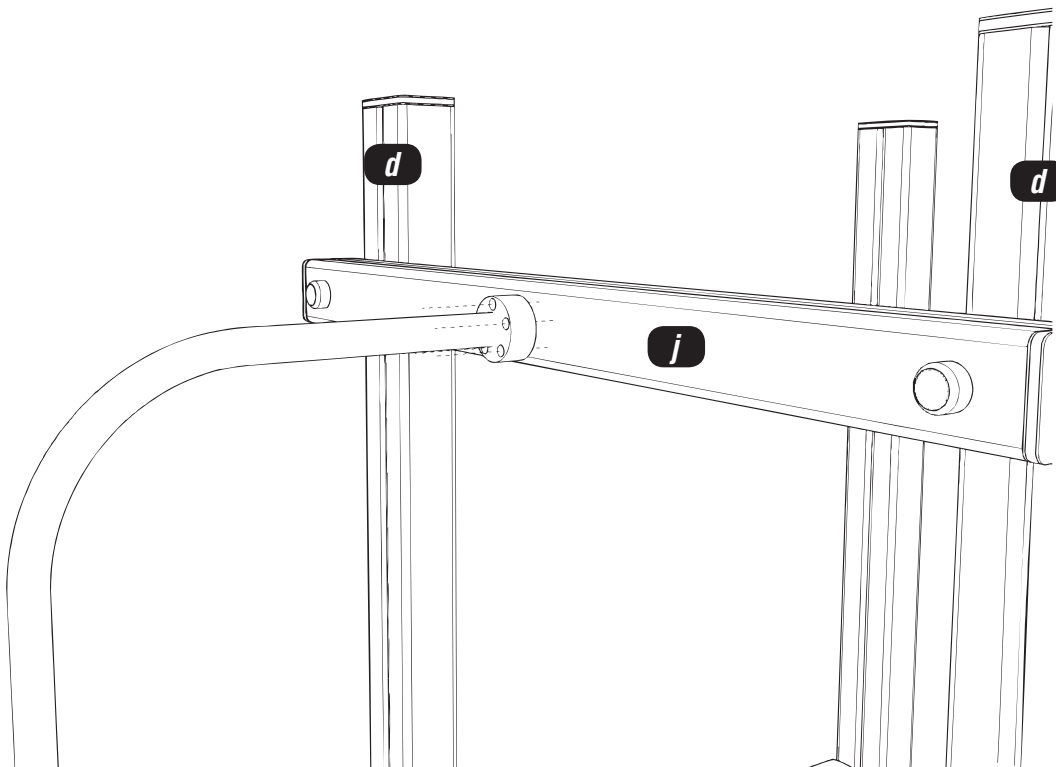
Using (2x 200mm) M12 - square cup bolt / 2x NYLOCS / 2x Covered end cap



**8**

## Attach the **FIREMAN'S POLE** to the **Timber WO102j**

Using 5 x FM80 'Brass Screws'

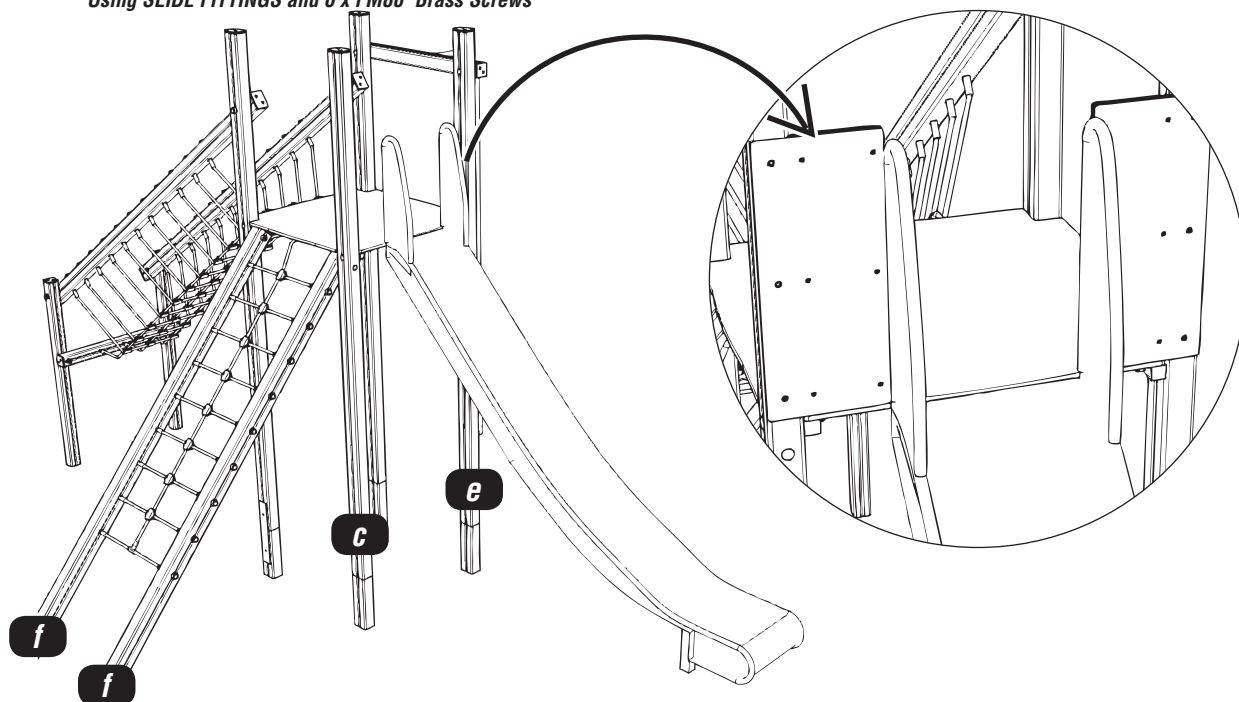


# Installation Instructions

**9**

**Attach the SLIDE to the FLOOR and the SLIDE PLAYTEC to the timbers WO102c/e**

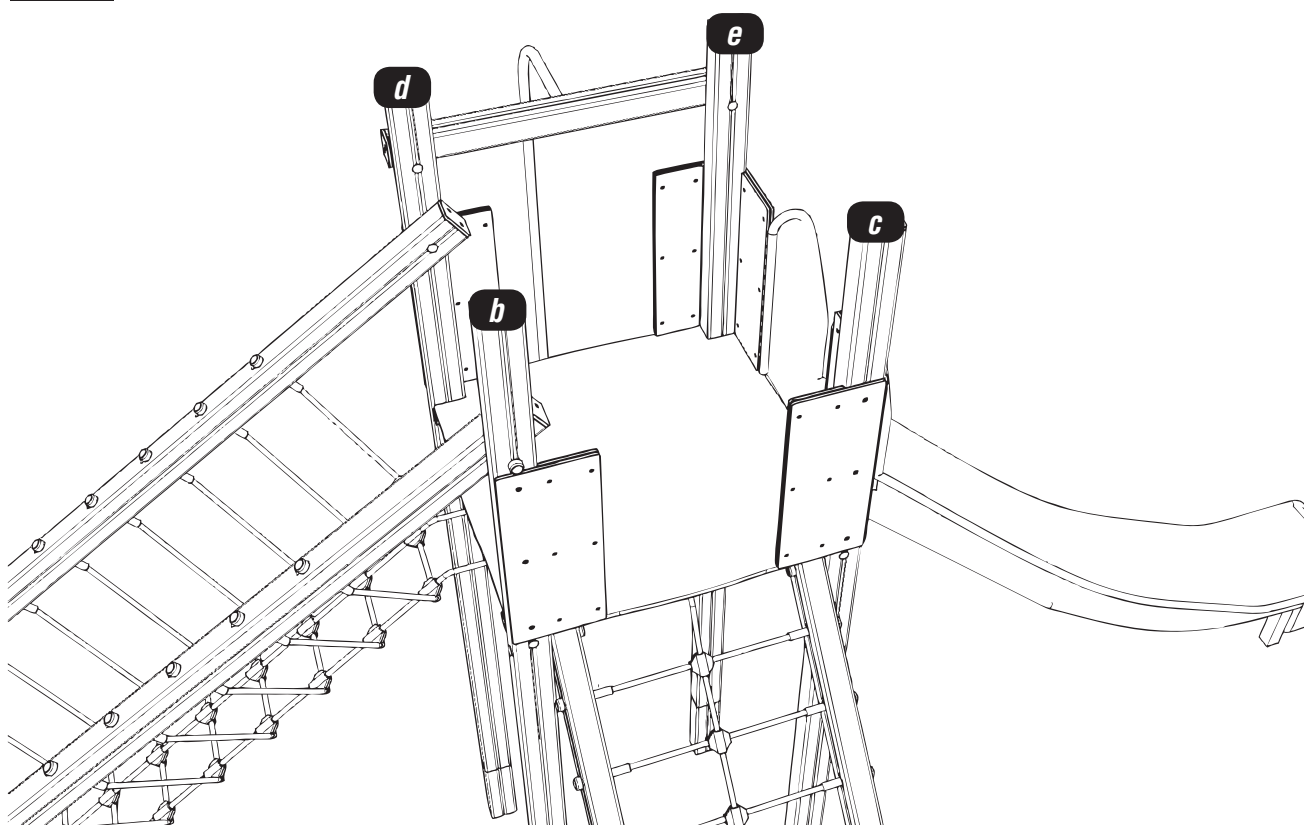
Using SLIDE FITTINGS and 6 x FM80 'Brass Screws'



**10**

**Attach the 120 PLAYTEC SIDE to the Timber WO102j**

Using 5 x FM80 'Brass Screws'

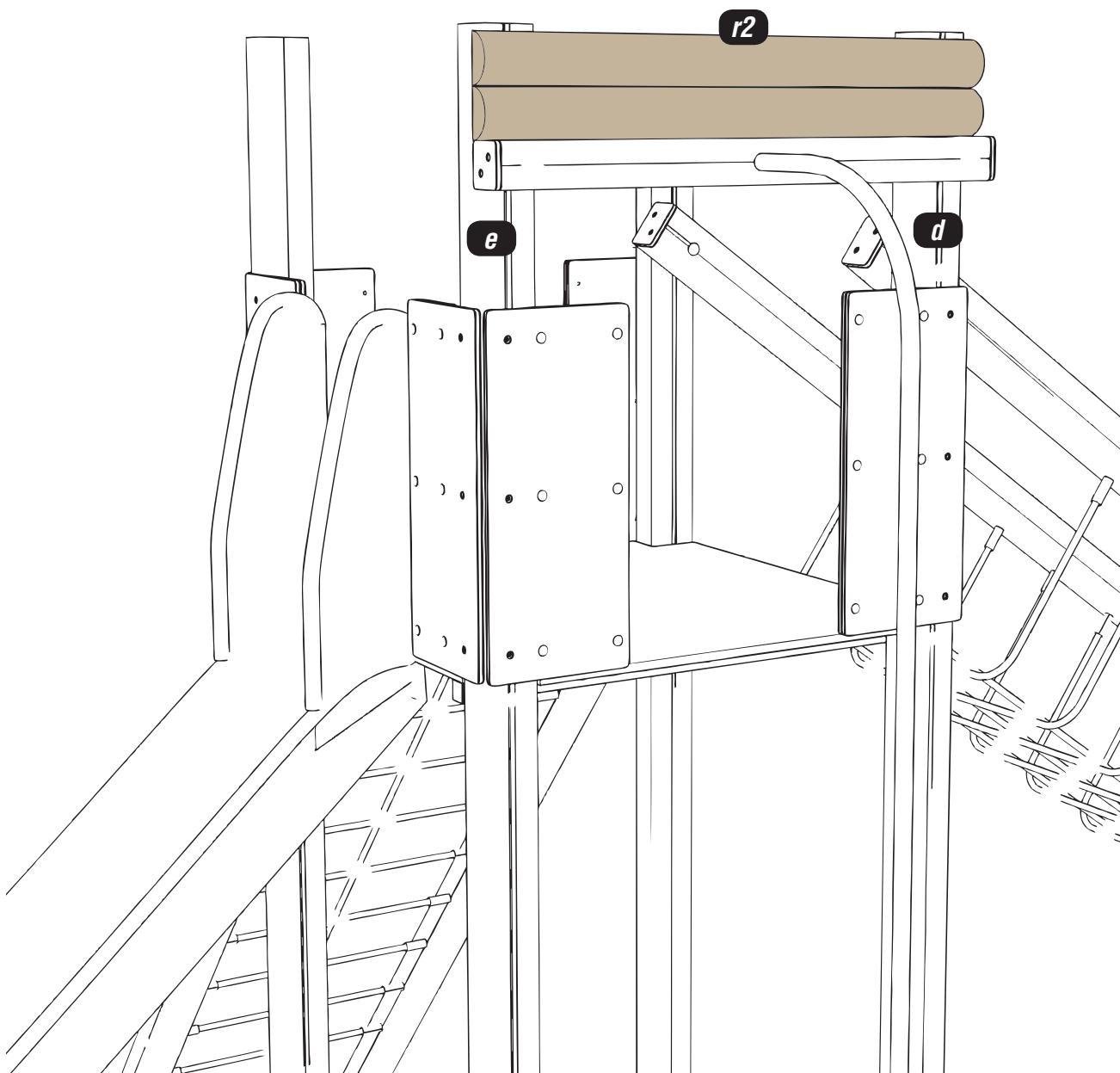


# Installation Instructions

**11**

**Attach the HALF ROUNDS *ZM102-r2* to the timbers *W0102c/e***

Using *SLIDE FITTINGS* and 6 x *FM80* 'Brass Screws'

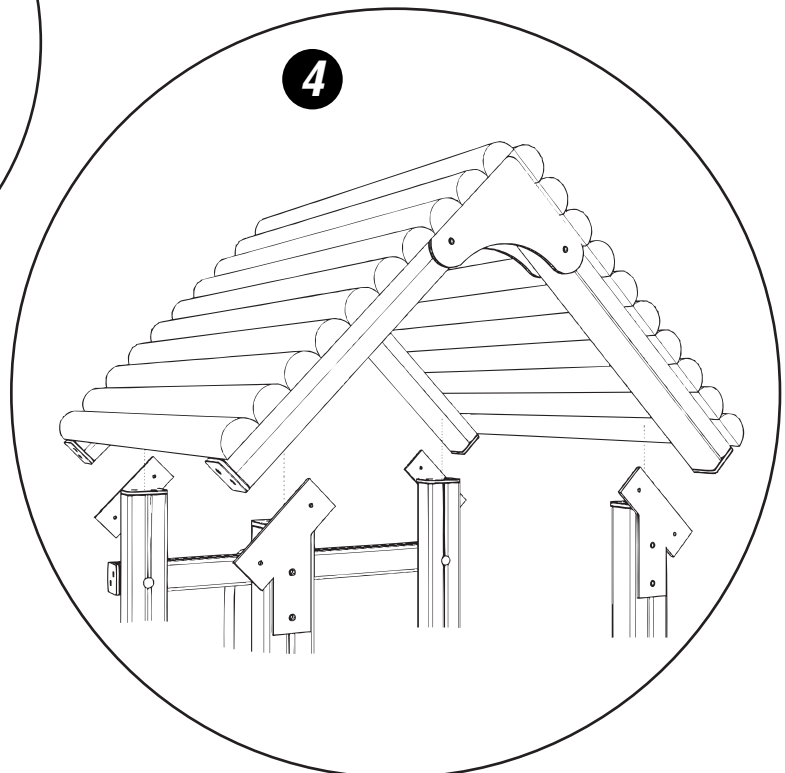
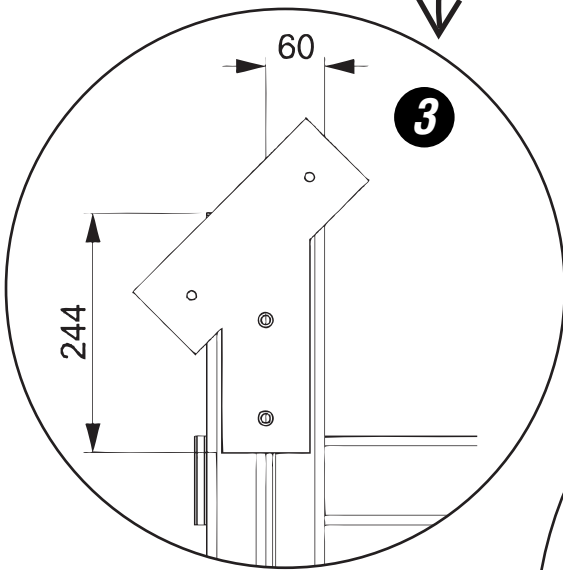
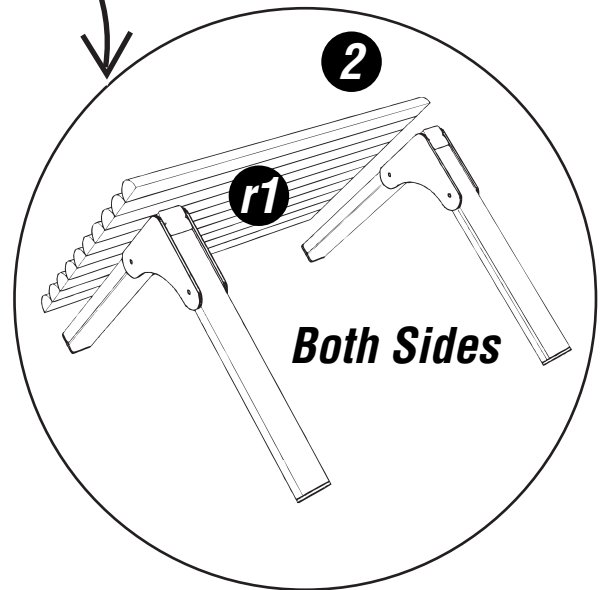
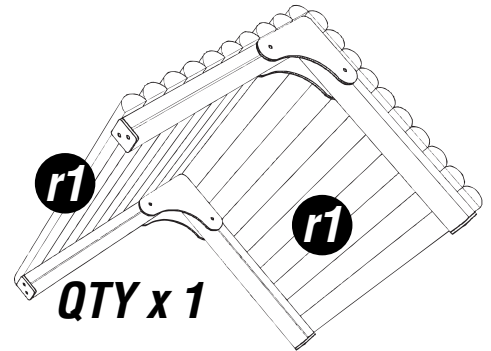
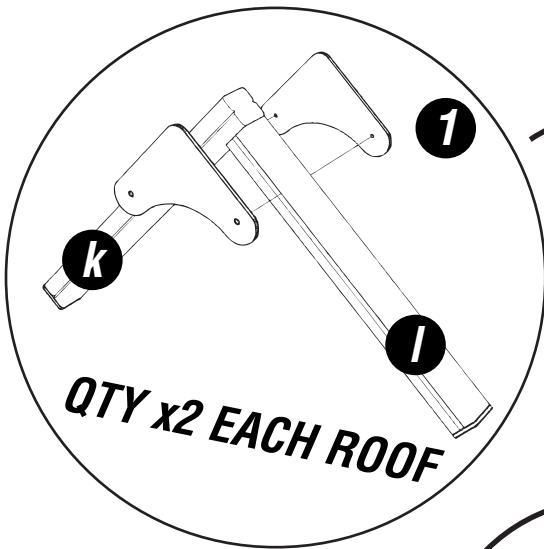


# Installation Instructions

**12**

Attach the **HALF ROUND ZM102-r1** to the **TIMBER ZM101aa/ab**

Using 52x FM80 'Brass screws'



# Additional Dimensions

