

# FORT LEAVENWORTH

creative  
play

FFH: 2 m  
MIN. AREA: 50.28m<sup>2</sup>



Ropes and nets  
Polypropylene covered multi-filament steel core rope secured with hydraulically pressed end connections and custom made tamper-proof net joints.



Floors and Ramps  
Birch plywood exterior panels with a dense, rough 'wire-mesh' pattern surface to provide a slip-resistant finish.

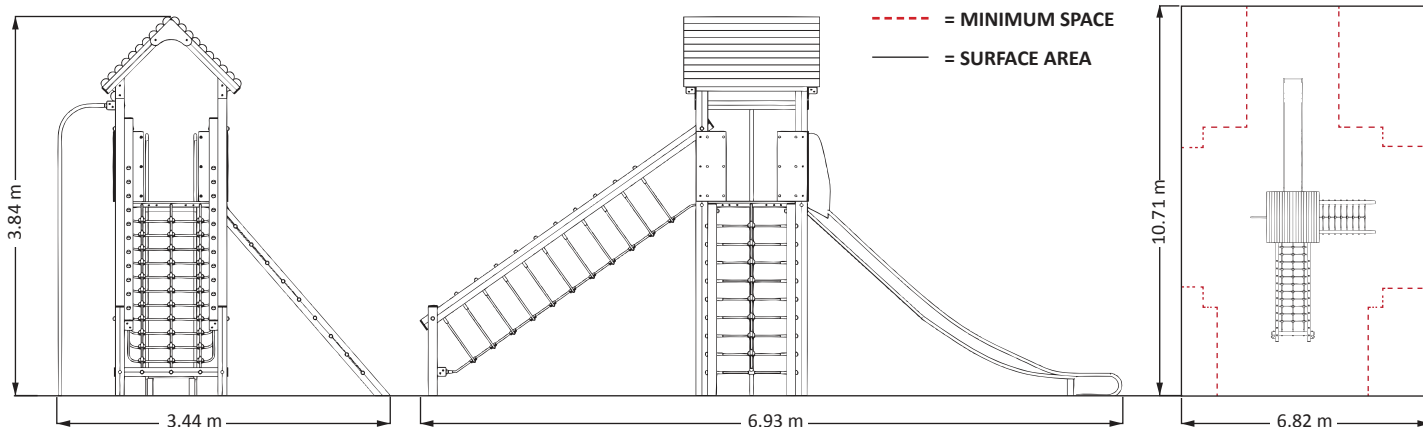


High specification, self-coloured, co-extruded polyethylene panels. This material is extremely durable, will not fade in sunshine, it is unaffected by moisture, will not delaminate.

## FEATURES

NET RAMP / INCLINED NET / 2m METAL SLIDE / TUNNEL / FIREFIGHTERS POLE

A B C D



FORT LEAVENWORTH

REF: ZM102