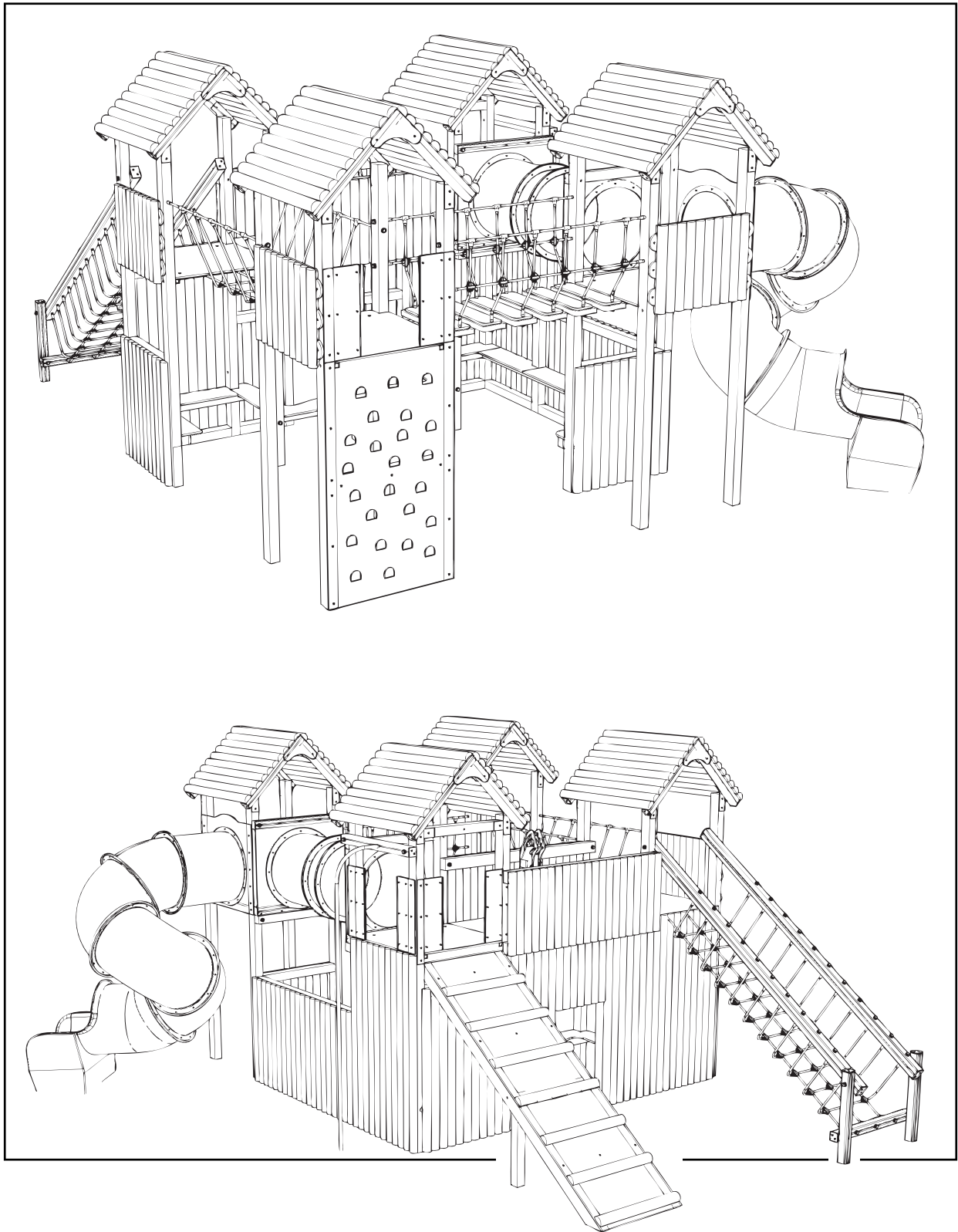


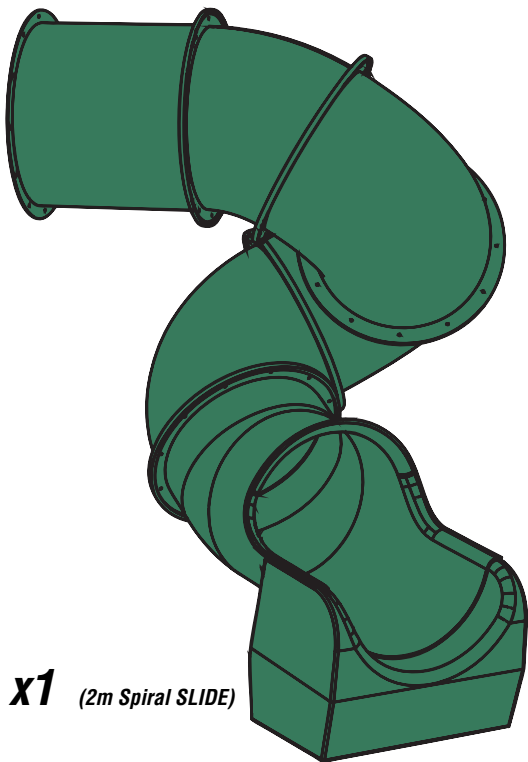
FORT BELKNAP

Installation Instructions

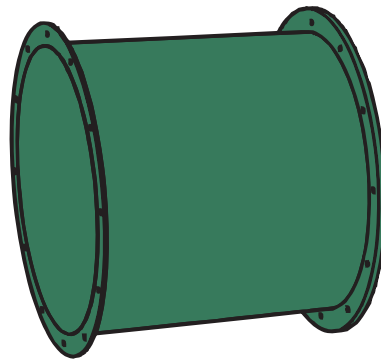
**creative
play**



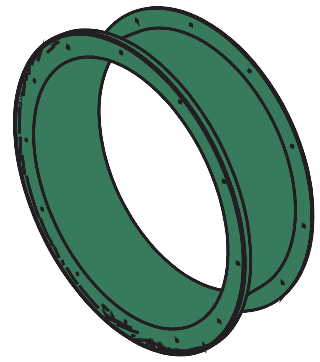
PARTS required



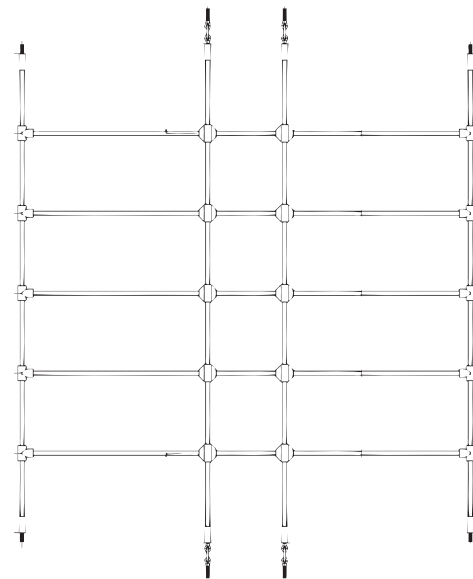
x1 (2m Spiral SLIDE)



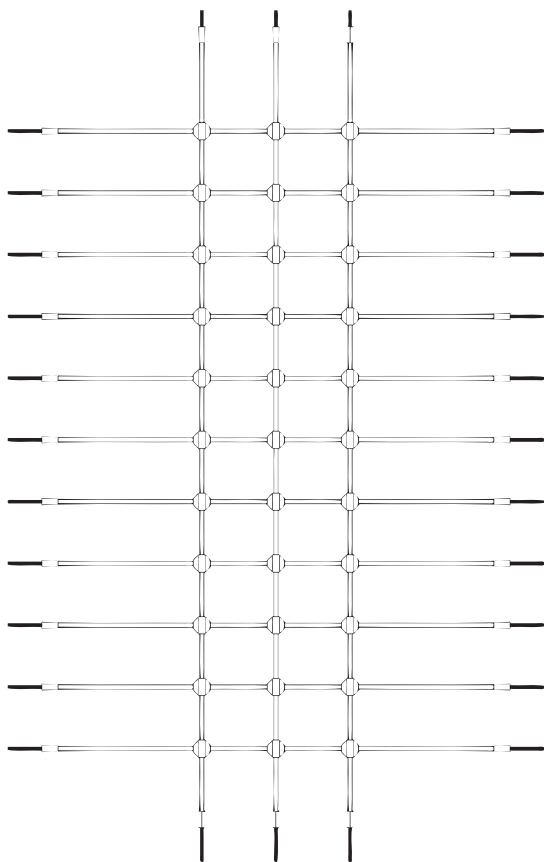
x2 (Tunnel long Part)



x1 (Tunnel short Part)



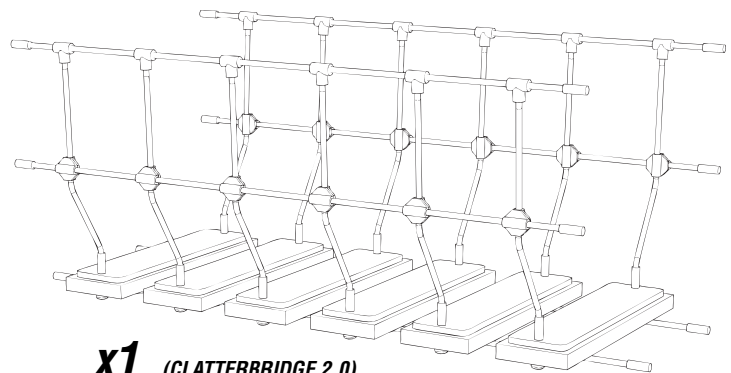
x1 (ROPE BRIDGE)



x1 (NET RAMP)

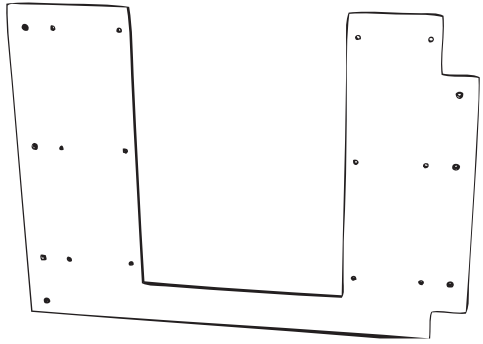


x1 (RAMP ROPE)

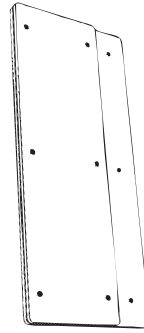


x1 (CLATTERBRIDGE 2.0)

PLAYTEC required

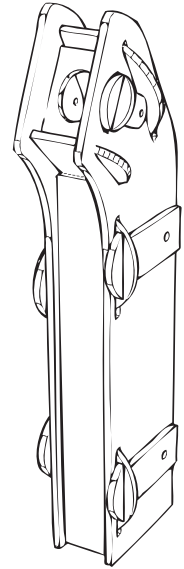


x1 (FRONT RAMP)

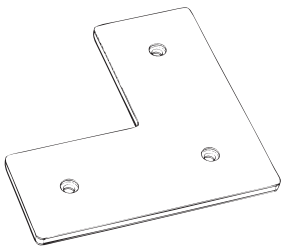


x2 (CLIMBING WALL SIDES)

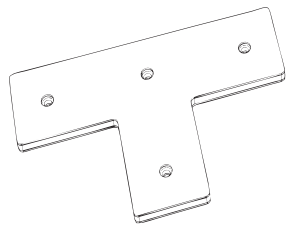
x2 (FIREFIGHTERS POLE SIDES)



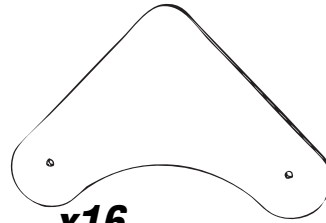
x1 (TOP TALKING TUBE)



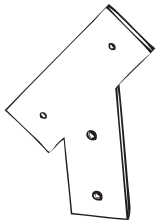
x12 (PLAYTEC L)



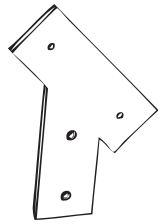
x15 (PLAYTEC T)



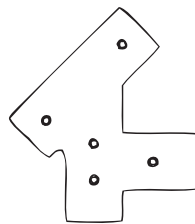
x16 (L ROOF)



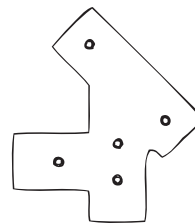
x7 (LEFT ROOF)



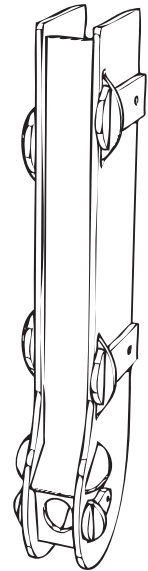
x7 (RIGHT ROOF)



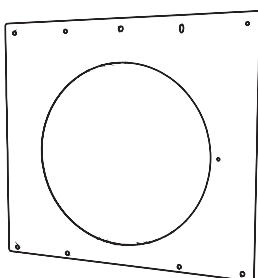
x1 (LEFT RAMP ROOF)



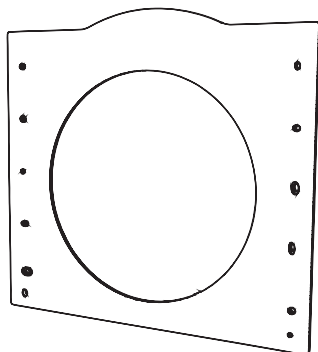
x1 (RIGHT RAMP ROOF)



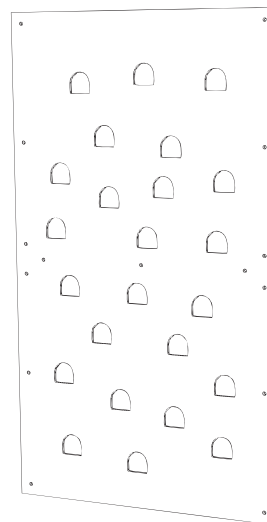
x1 (BOTTOM TALKING TUBE)



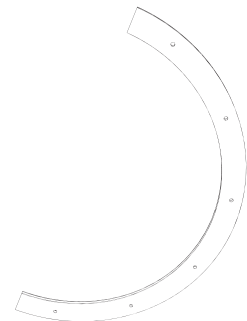
x2 (TUNNEL COVER)



x1 (SLIDE COVER)

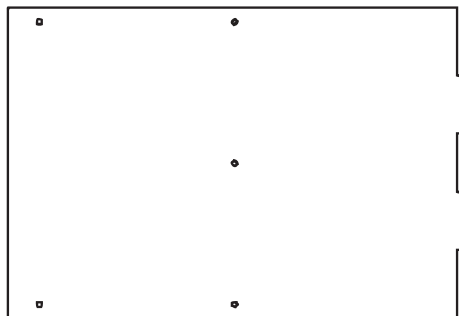


x1 (CLIMBING WALL)

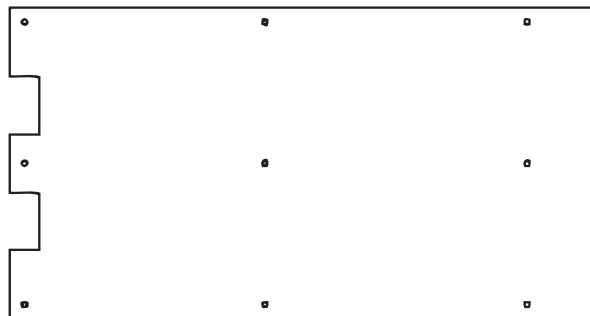


x2 (HALF RING)

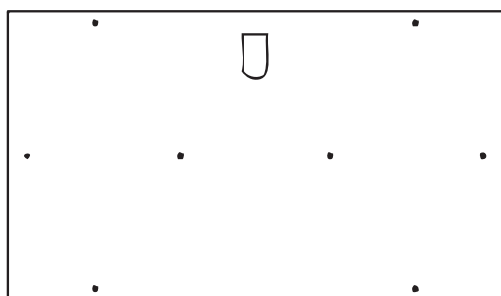
HEXBOARD required



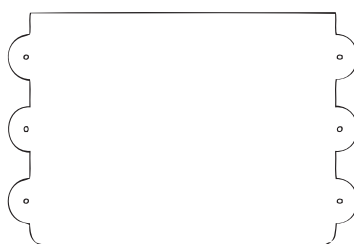
x1 (BOTTOM RAMP)



x1 (TOP RAMP)



x1 (FRONT FLOOR)

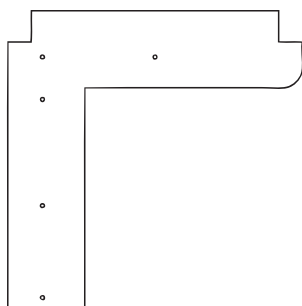


x1 (90 SIDE)

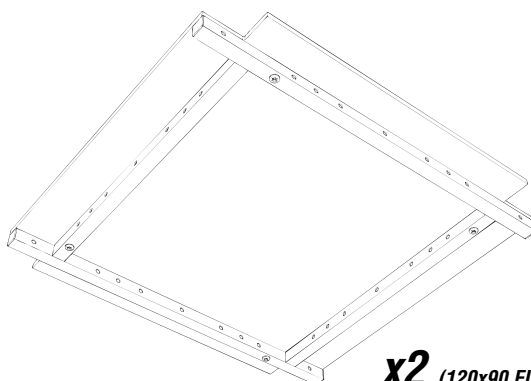
x2 (120 SIDE)



x1 (MIDDLE SEAT)

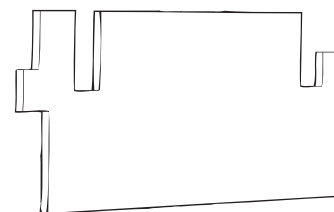


x1 (BACK LEFT SEAT)

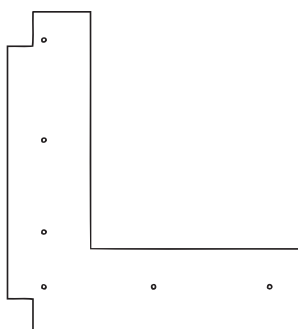


x2 (120x90 FLOOR)

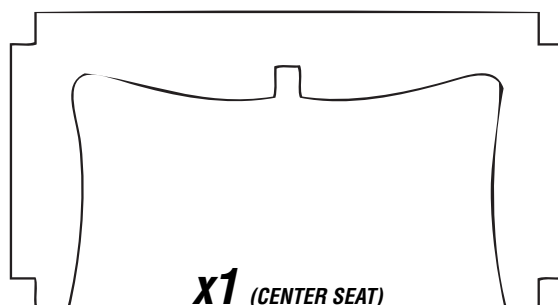
x2 (120x90 CLATTERBRIDGE FLOOR)



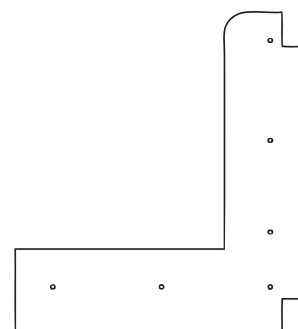
x1 (Cover)



x1 (FRONT LEFT SEAT)



x1 (CENTER SEAT)



x1 (FRONT RIGHT SEAT)

TIMBERS required

120 x 90 timber

CODE	TYPE	SIZE	QTY
ZM101a	120x90	400	16
ZM101b	120x90	1920	6
ZM101c	120x90	3600	1
ZM101d	120x90	3600	1
ZM101e	120x90	3600	1
ZM101f	120x90	3600	1
ZM101g	120x90	3600	1
ZM101h	120x90	3600	1
ZM101i	120x90	3600	1
ZM101j	120x90	3600	1
ZM101k	120x90	3600	1
ZM101l	120x90	3600	1
ZM101m	120x90	3600	2
ZM101n	120x90	3600	2
ZM101o	120x90	3600	1
ZM101p	120x90	3600	1
ZM101q	120x90	965	7
ZM101r	120x90	520	2
ZM101t	120x90	3600	2
ZM101v	120x90	3600	2
ZM101w	120x90	2100	2
ZM101x	120x90	935	4
ZM101y	120x90	2100	1
ZM101z	120x90	2100	1
ZM101aq	120x90	3350	1

90 x 90 timber

CODE	TYPE	SIZE	QTY
ZM101aa	90x90	1000	8

90 x 90 timber

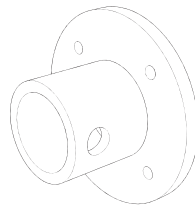
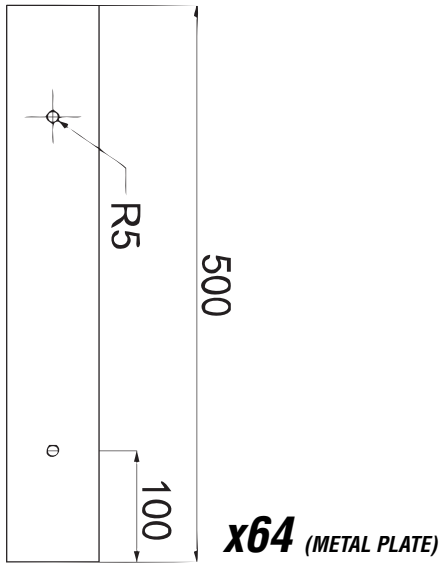
ZM101ab	90x90	910	8
ZM101ac	90x90	1665	2
ZM101ad	90x90	1665	2
ZM101ae	90x90	1145	1
ZM101af	90x90	1258	2
ZM101ag	90x90	935	1
ZM101ah	90x90	1145	3
ZM101ai	90x90	2763	1
ZM101aj	90x90	905	4
ZM101ak	90x90	1920	4
ZM101al	90x90	1145	1
ZM101am	90x90	965	1
ZM101an	90x66	1145	2
ZM101ao	90x66	1145	2
ZM101s	90x90	2100	1

aq x4 (66x17.5mm SLATS)

Half round timber

CODE	TYPE	SIZE	QTY
ZM101-r1	1/2 ∅100	1400	80
ZM101-r2	1/2 ∅100	965	7
ZM101-r3	1/2 ∅100	1200	42
ZM101-r4	1/2 ∅100	760	30
ZM101-r5	1/2 ∅100	840	40
ZM101-r6	1/2 ∅100	1862	14
ZM101-r7	1/2 ∅100	692	7
ZM101-r8	1/2 ∅100	2000	21
ZM101-r9	1/2 ∅100	1650	10

METAL required



x1 (Firefighters POLE RING)



x1 (Firefighters Pole)

FIXINGS required



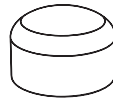
x8 (M12 x 230 Square Cup HEX bolt)

x4 (M12 x 210 Square Cup HEX bolt)

x27 (M12 x 200 Square Cup HEX bolt)

x6 (M12 x 170 Square Cup HEX bolt)

x18 (M12 x 150 Square Cup HEX bolt)



x70 (end caps)



x80 (M12 'NYLOC')

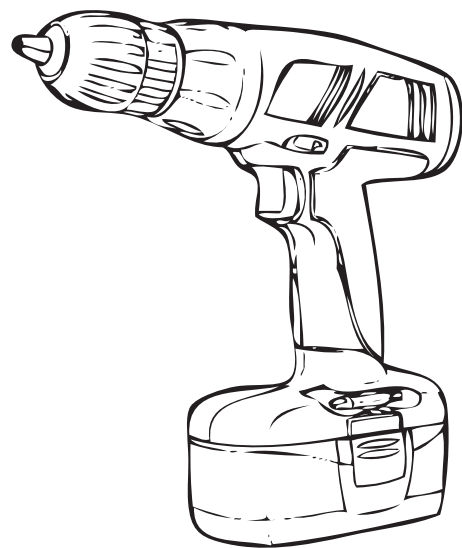
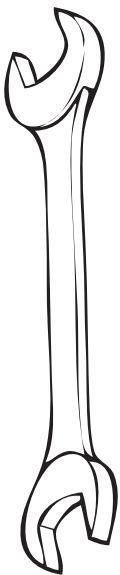


x46 (FM120 'Brass screws')

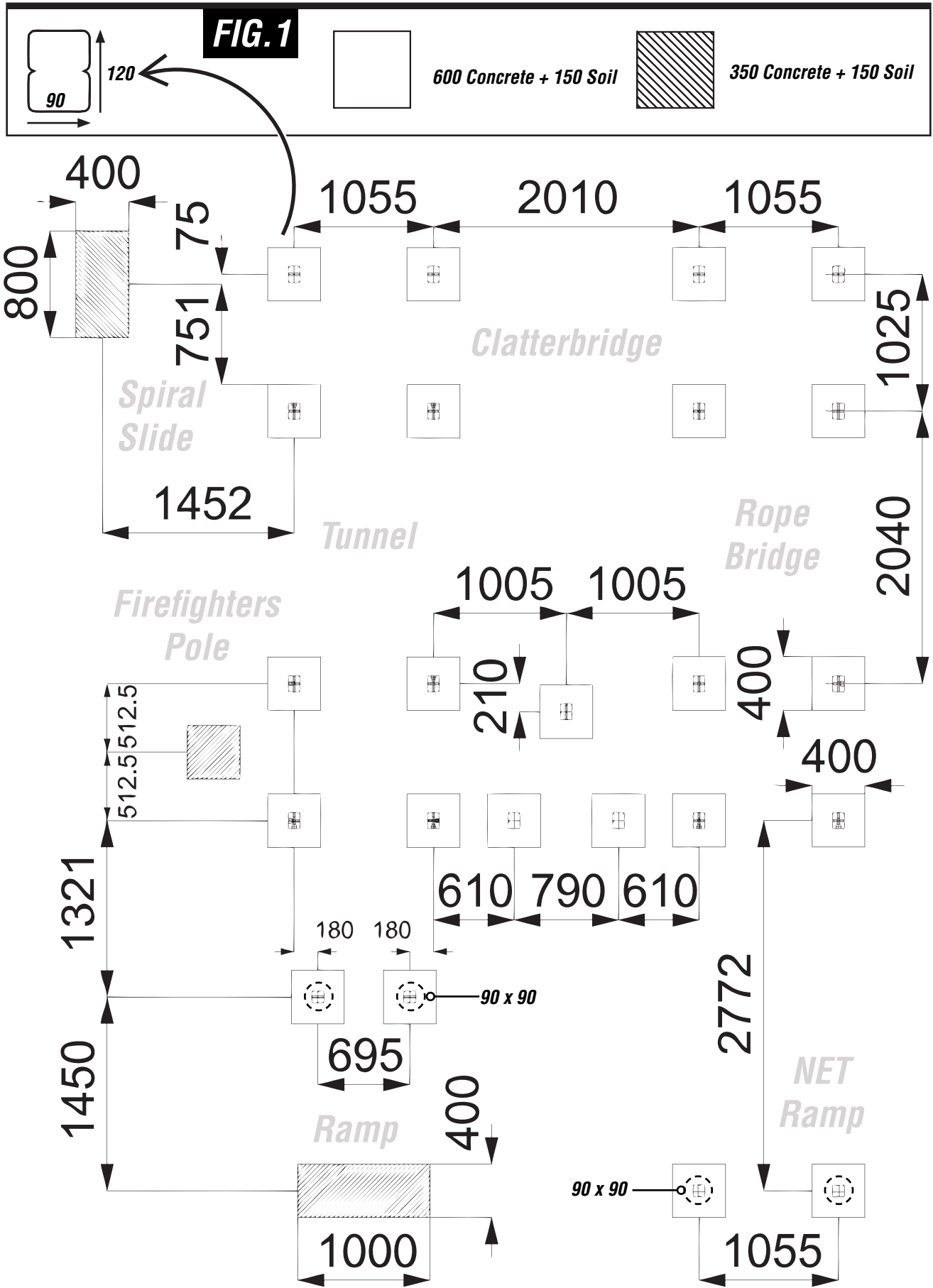
x900 (FM80 'Brass screws')

x60 (7.5 x 50 'Brass screws')

TOOLS required

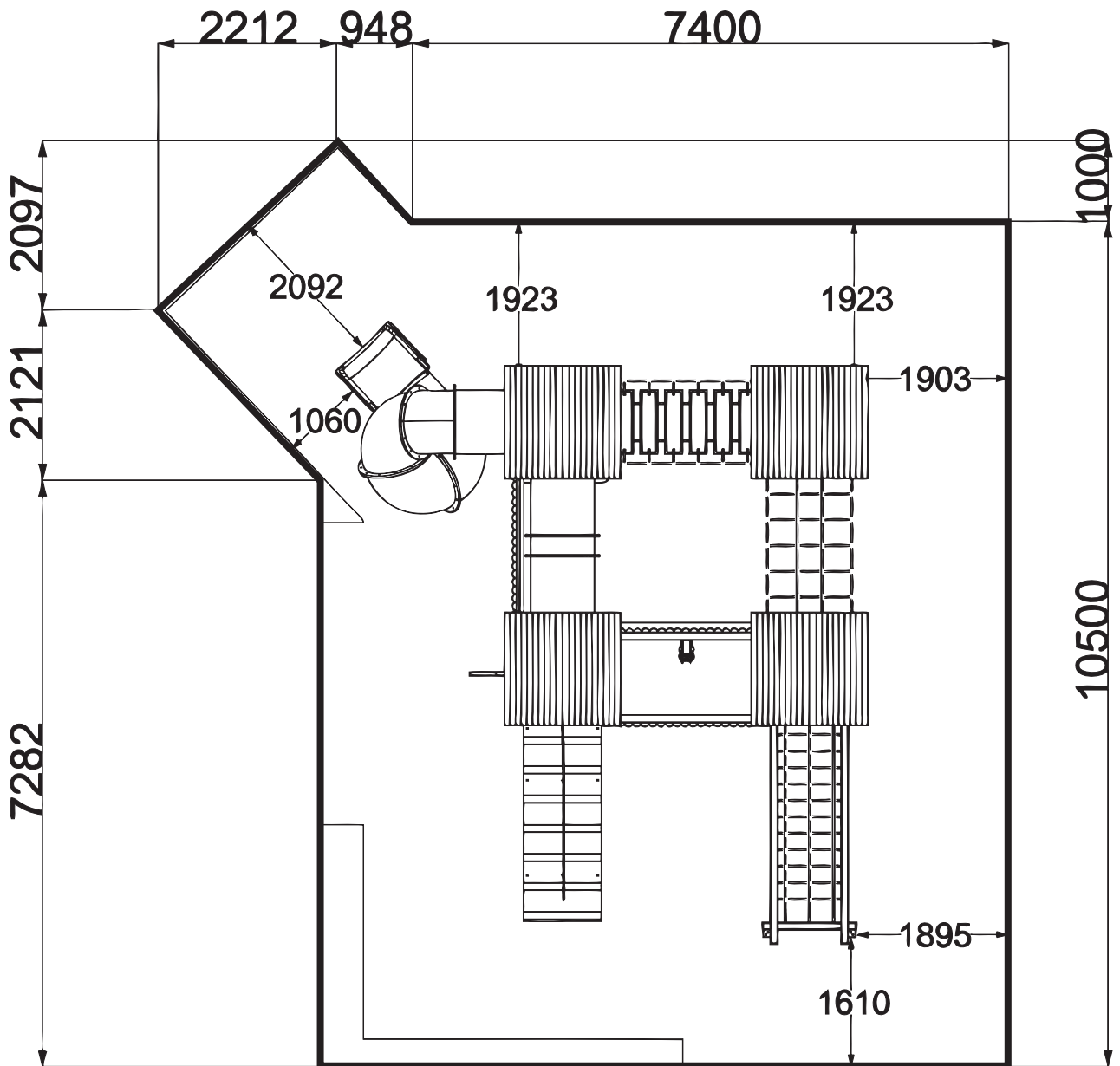


Foundation Details



Surfacing Details

- - - = MINIMUM SPACE
- = SURFACE AREA

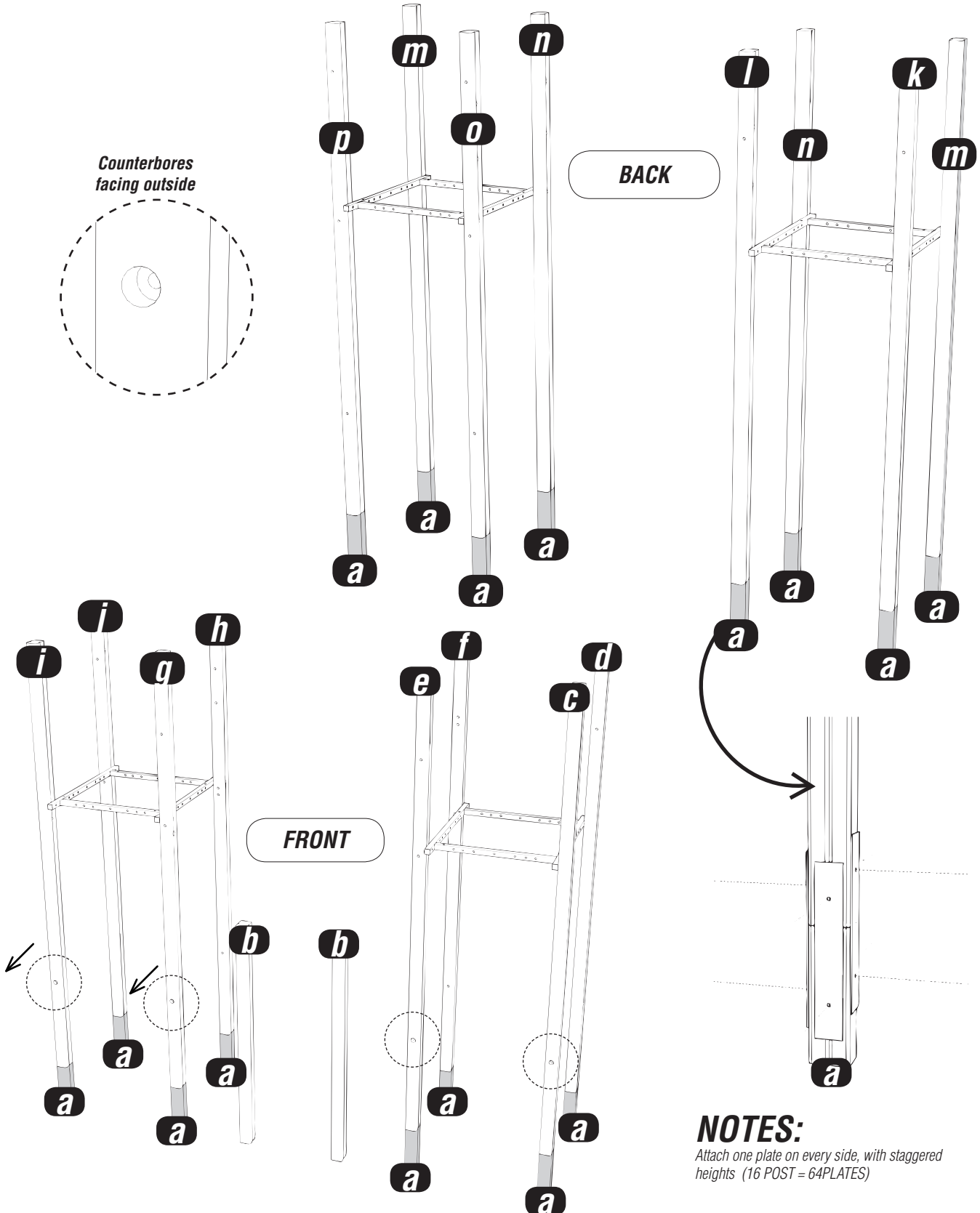


Installation Instructions

1

Attach the Timbers ZM101a to the Timbers ZM101c/d/e/f /g/h/i/j/k/l/m/n/o/p and install them

Follow foundation details and using 128 x FM80 'Brass Screws'

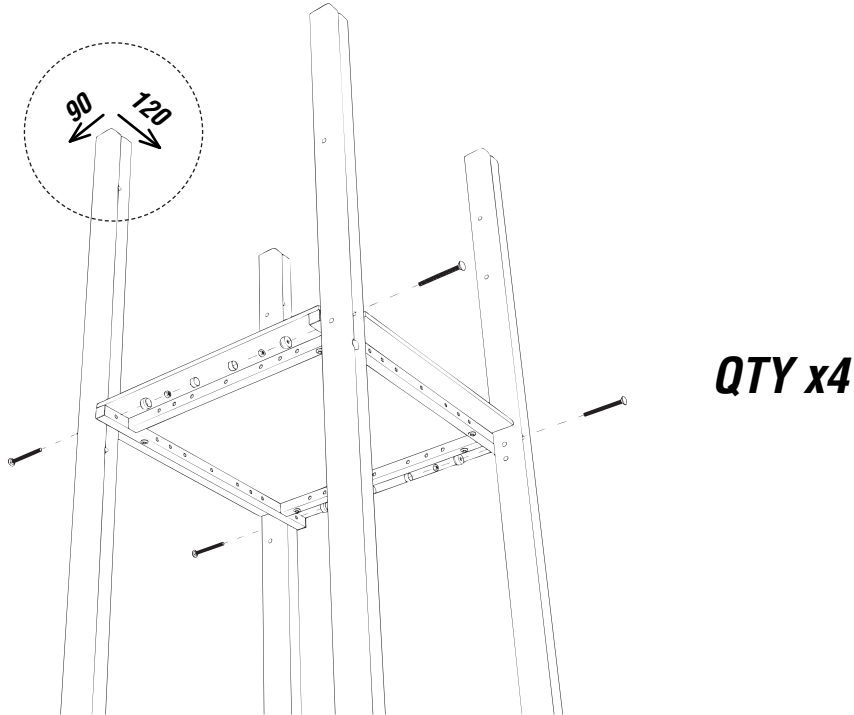


Installation Instructions

2

Attach the FLOORS to the Timbers ZM101c/d/e/f /g/h/i/j/k/l/m/n/o/p

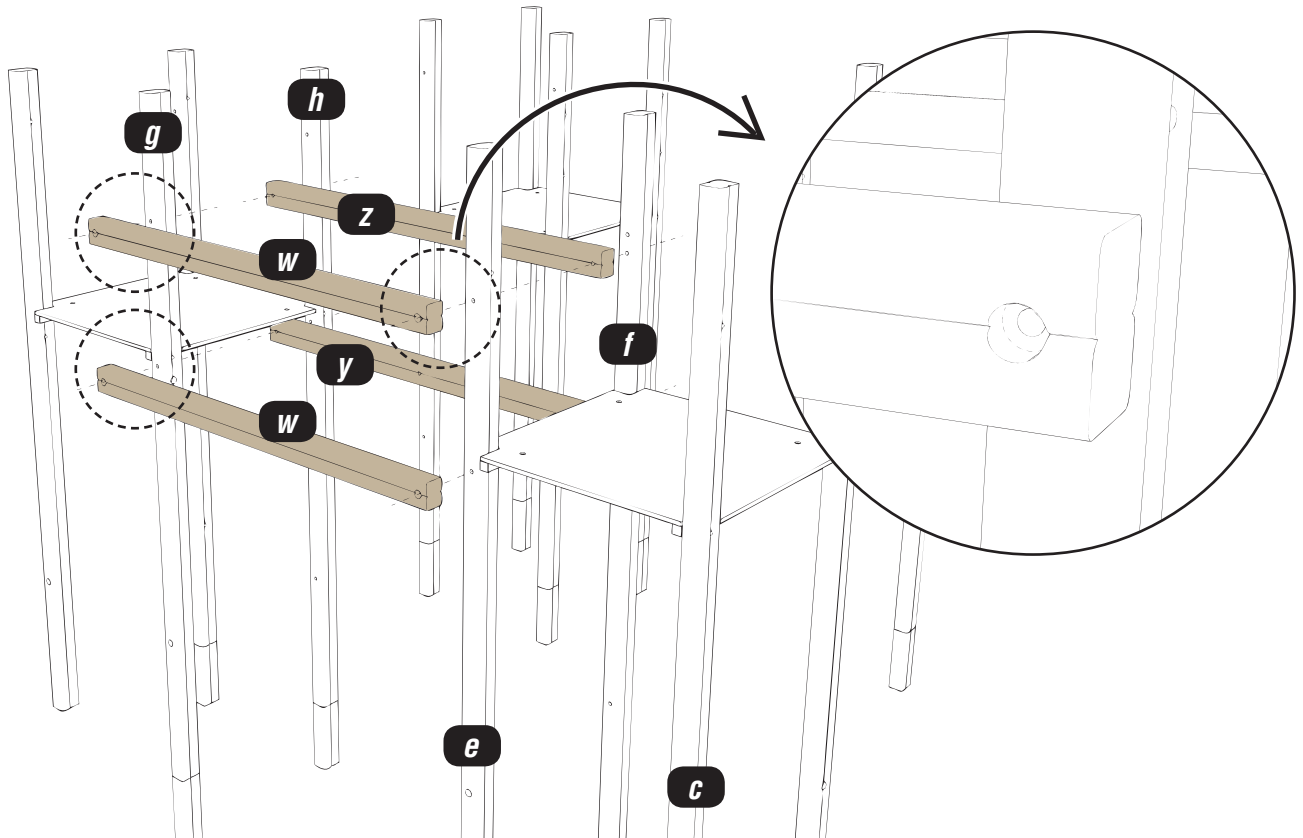
Using M12 - 16x 150mm square cup bolt / 16x NYLOCS / 16x COVERED END CAPS



3

Attach the Timbers ZM101w/y/z to the timbers ZM101e/f/g/h

Using M12 - (4x 200mm), (4x230mm) SQUARE CUP HEX BOLTS/ 8x NYLOCS / 4x COVERED END CAPS

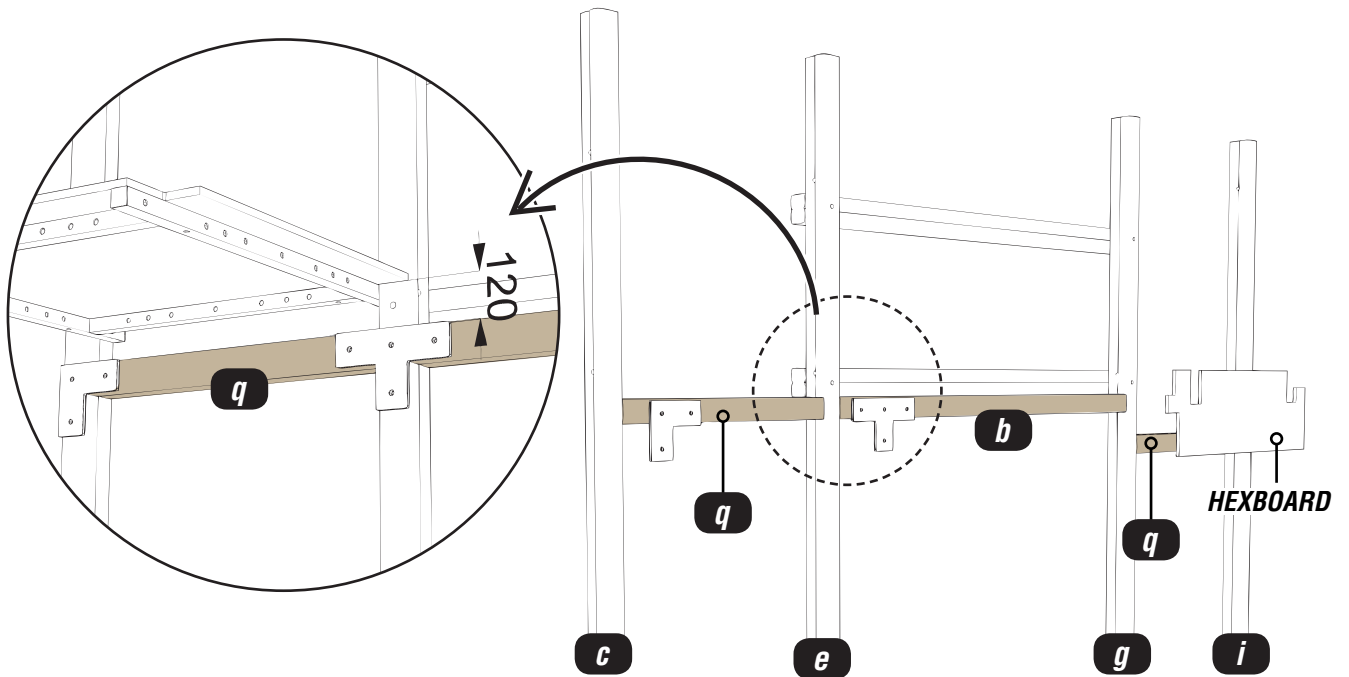


Installation Instructions

4

Attach the Timbers ZM101b/q and Hexboard to the timbers ZM101c/e/g/i

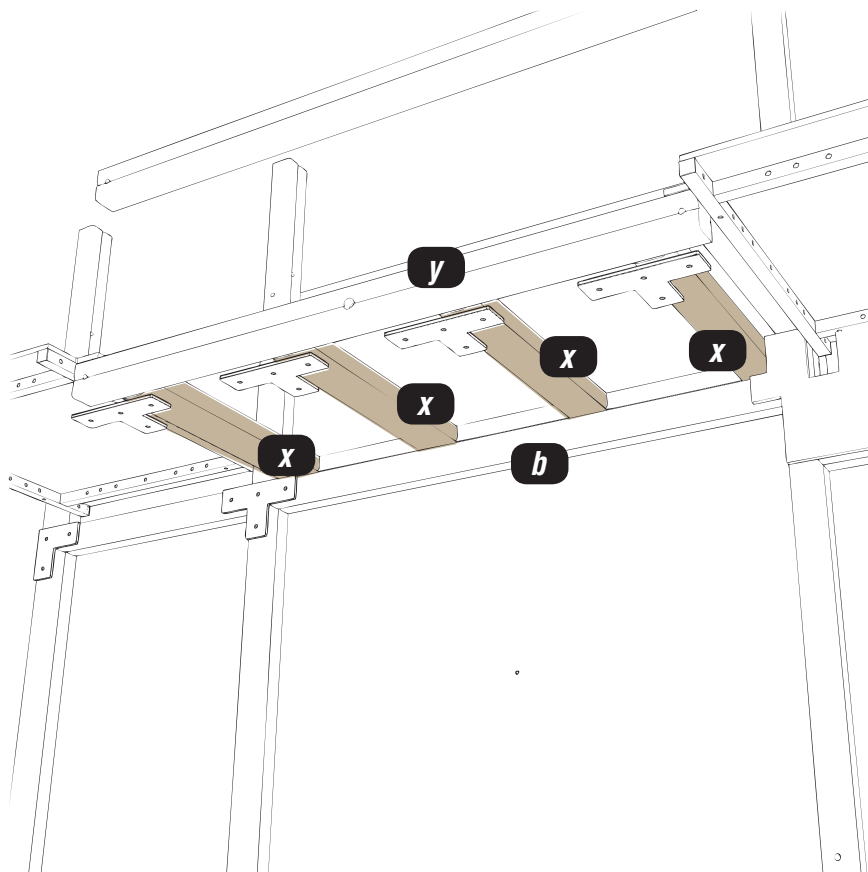
Using 15x FM80 'Brass Screws'



5

Attach the Timbers ZM101x to the timbers ZM101b/y

Using 16x FM80 'Brass Screws' 4x FM120 'Brass Screws'

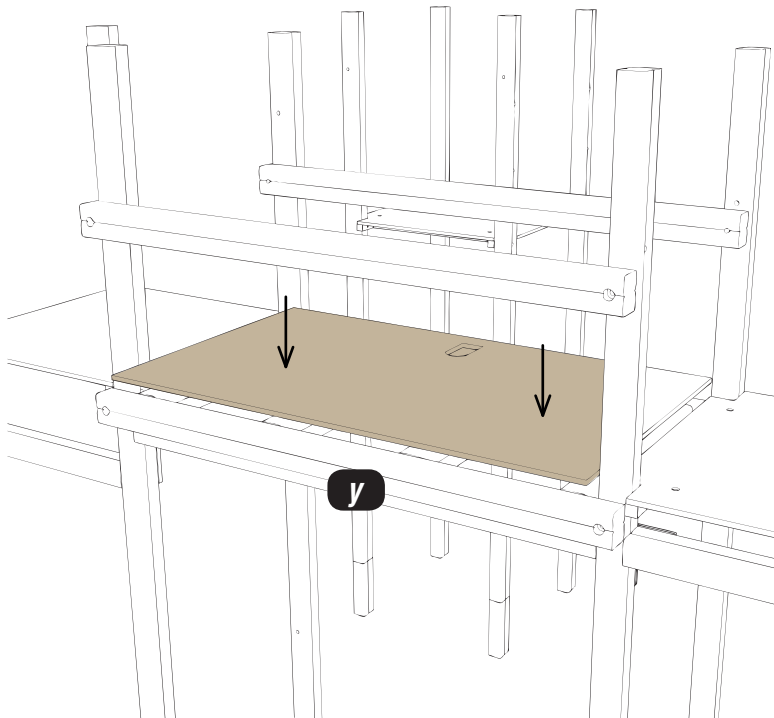


Installation Instructions

6

Attach the FRONT FLOOR to the Timbers ZM101s/y/x

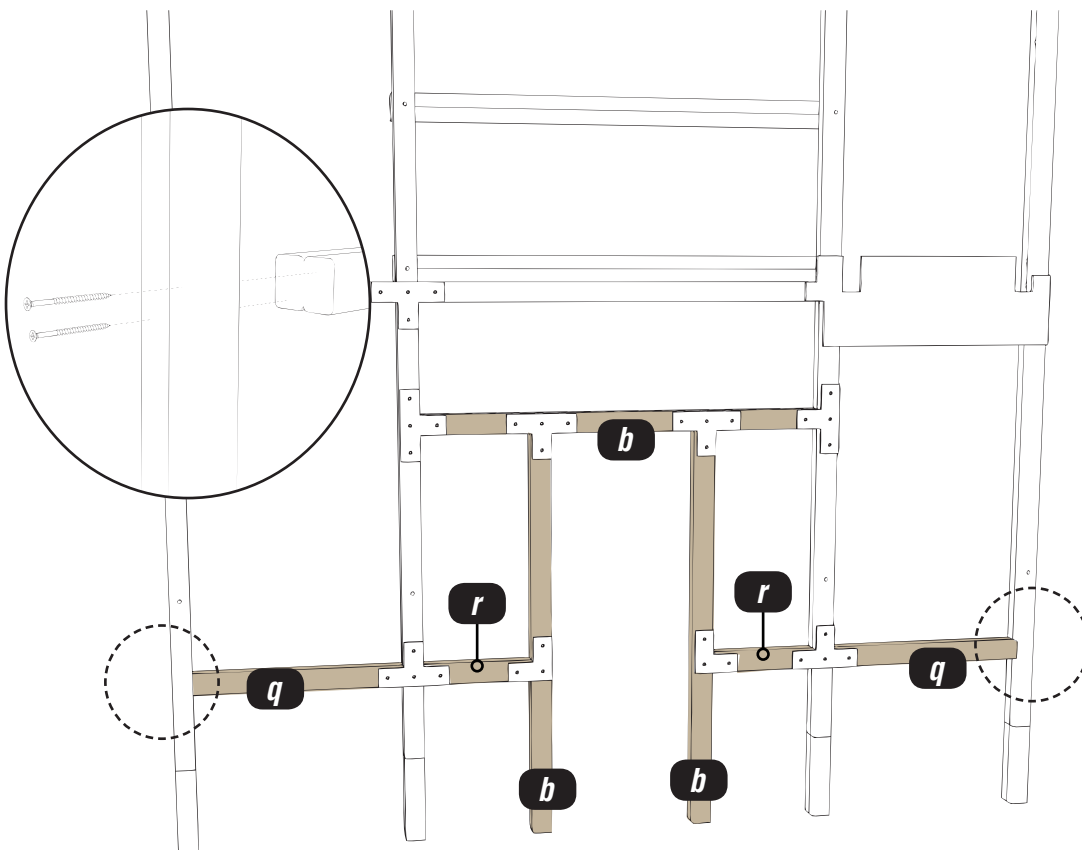
Using 8x FM80 'Brass Screws'



7

Attach the Timbers ZM101x to the timbers ZM101s/y

Using 30x FM80 'Brass Screws' / 4x FM120 'Brass Screws'

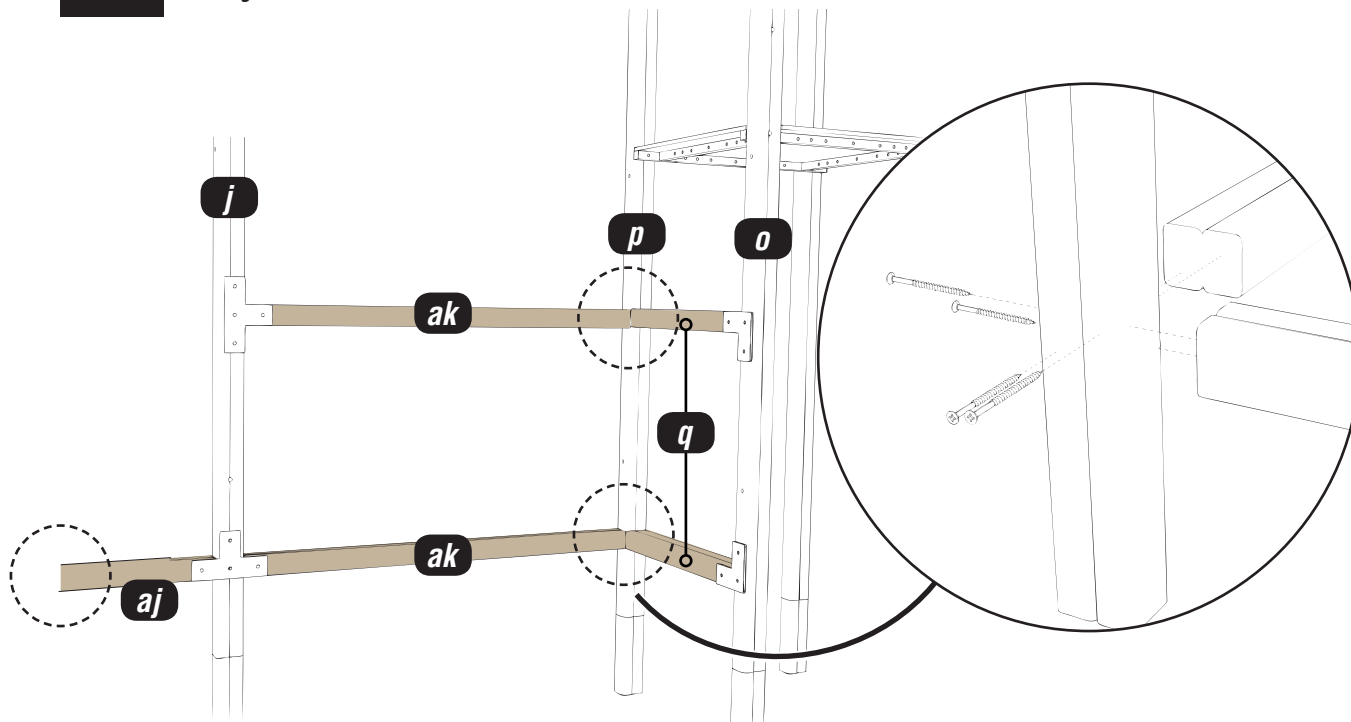


Installation Instructions

8

Attach the Timbers ZM101q/ak to the timbers W0101j/o/p

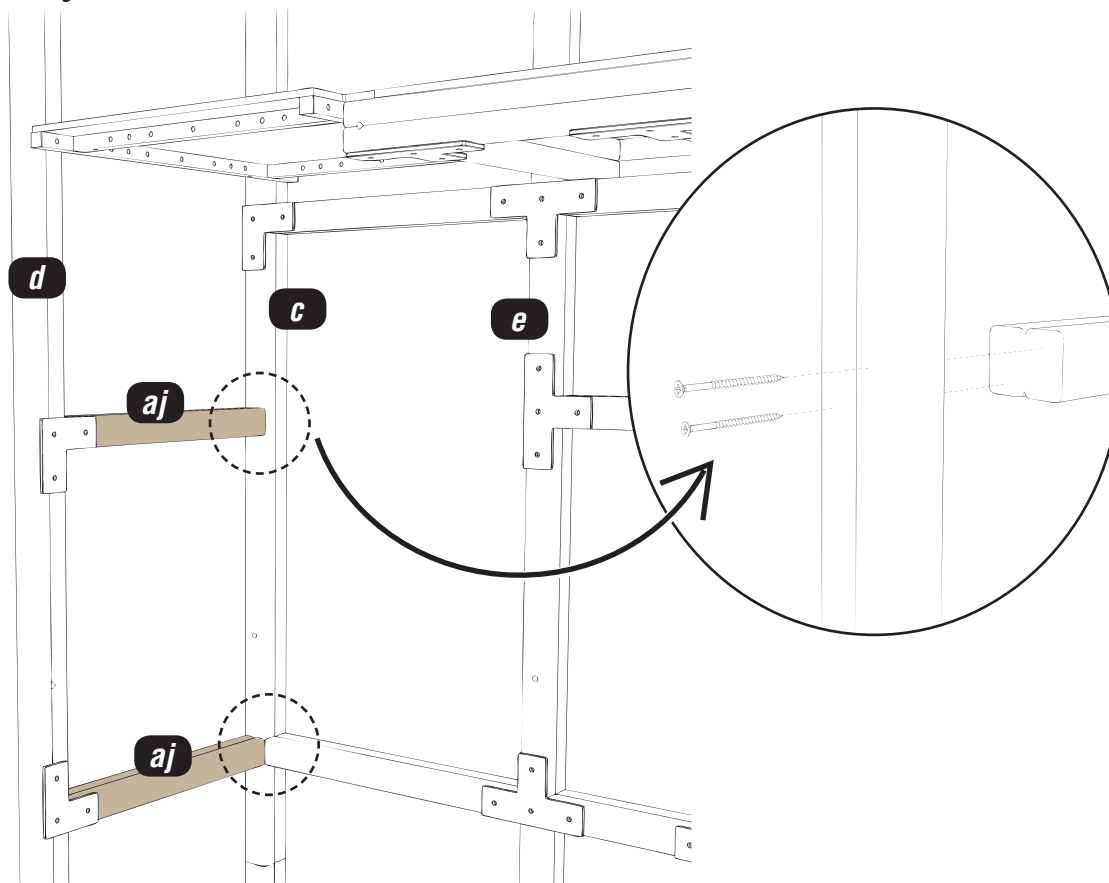
Using 14x FM80 'Brass Screws' 8x FM120 'Brass Screws'



9

Attach the Timbers ZM101x to the timbers ZM101s/y

Using 14x FM80 'Brass Screws' 4x FM120 'Brass Screws'

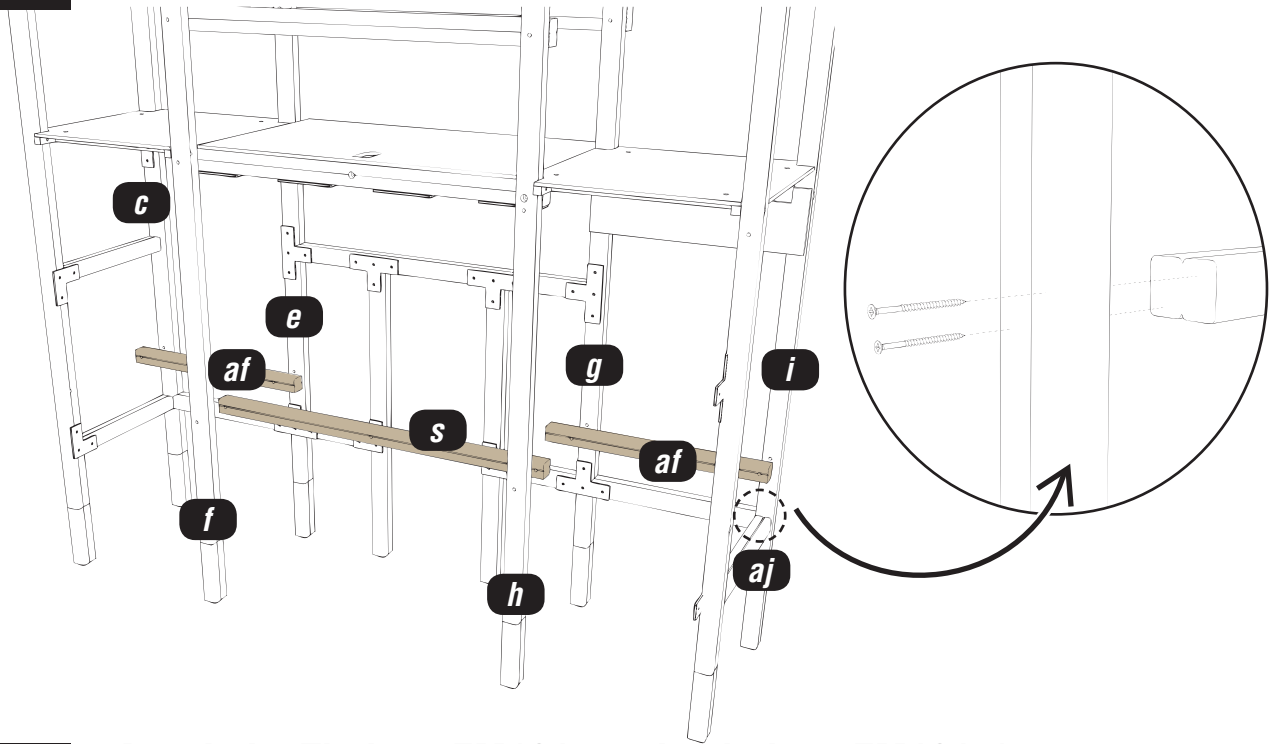


Installation Instructions

8

Attach the Timbers ZM101s/af to the timbers W0101c/e/g/i/f/h

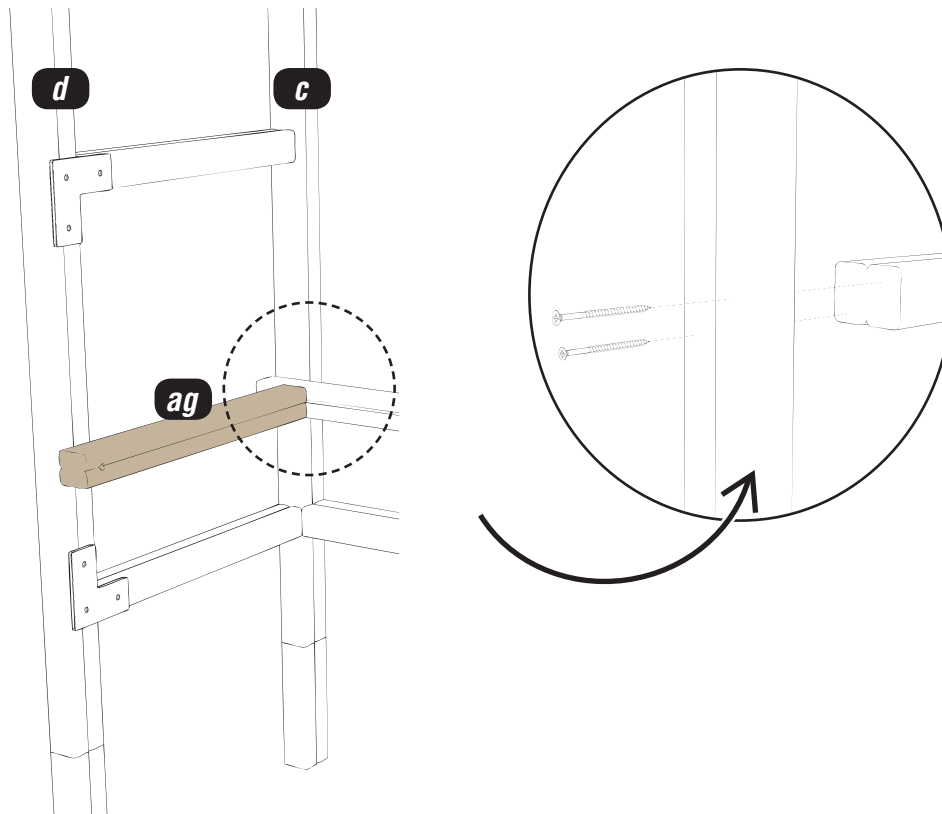
Using M12 - (2x 230mm) , (4x 200mm) square cup bolt / 6x NYLOCS / 2x COVERED END CAPS



9

Attach the Timbers ZM101x to the timbers ZM101s/y

Using M12 - (1x 170mm) / 1x NYLOCS / 2x FM120 'Brass Screws'

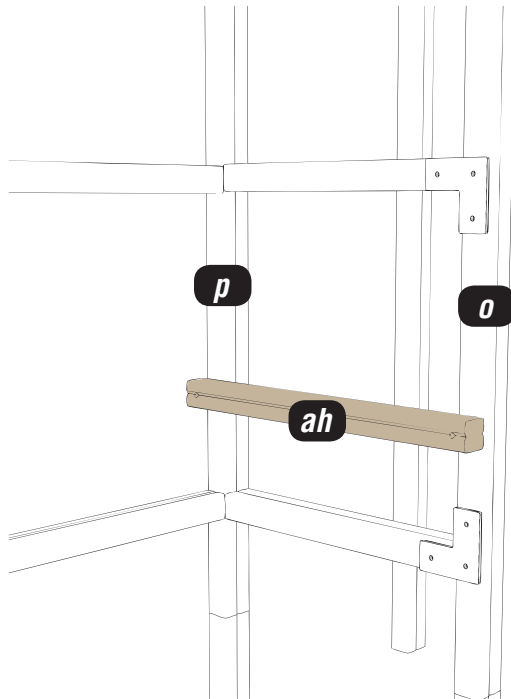


Installation Instructions

10

Attach the Timber ZM101ah to the timbers W0101o/p

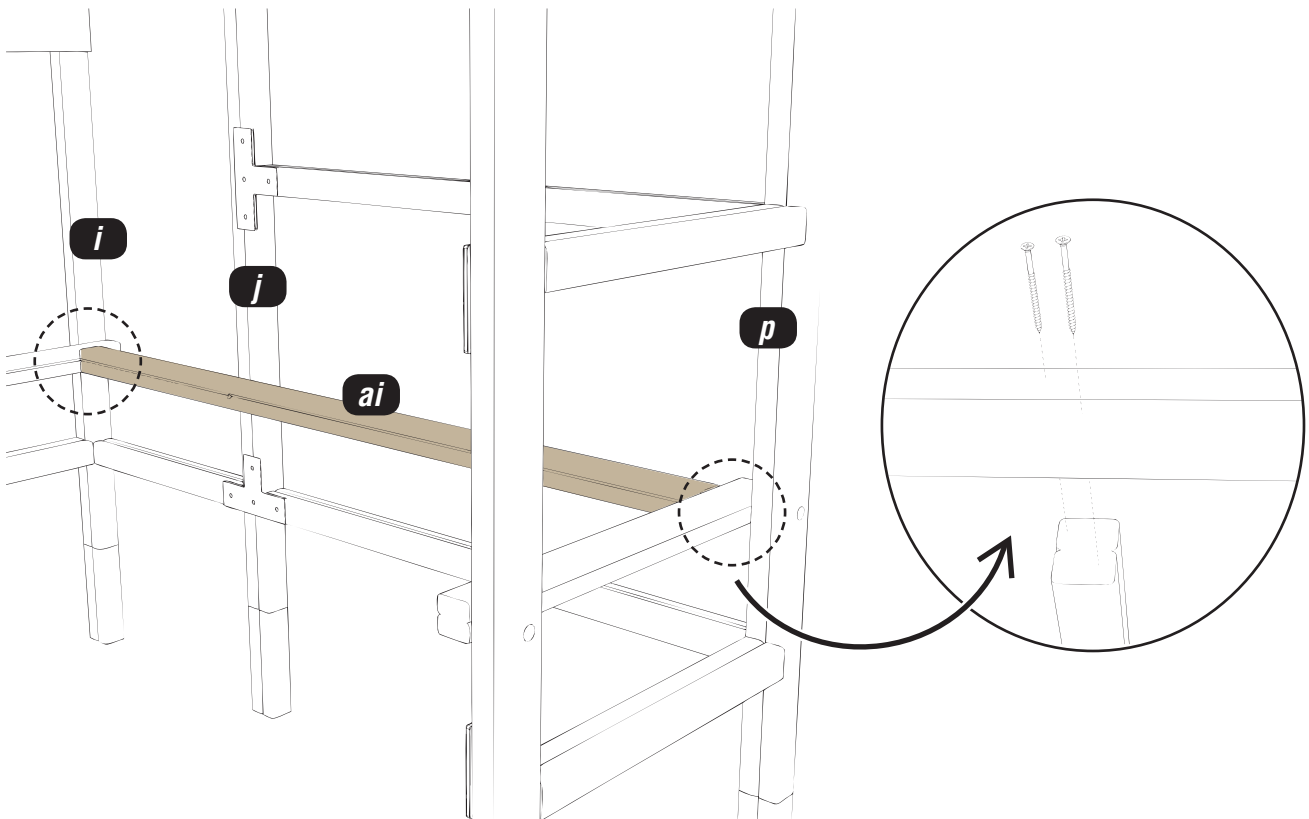
Using (2x 170mm) M12 - square cup bolt / 2x NYLOCS /



11

Attach the Timbers ZM101x to the timbers ZM101s/y

Using M12 - (1x 170mm) / 1x NYLOCS / 2x FM120 'Brass Screws'

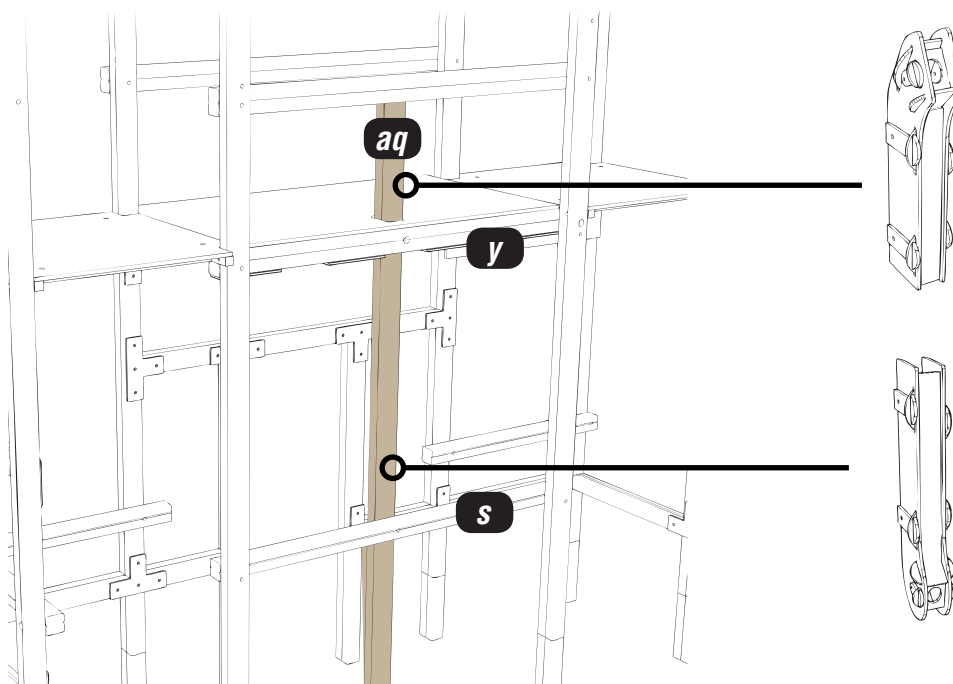


Installation Instructions

10

Attach the Timber ZM101ai to the timbers W0101s

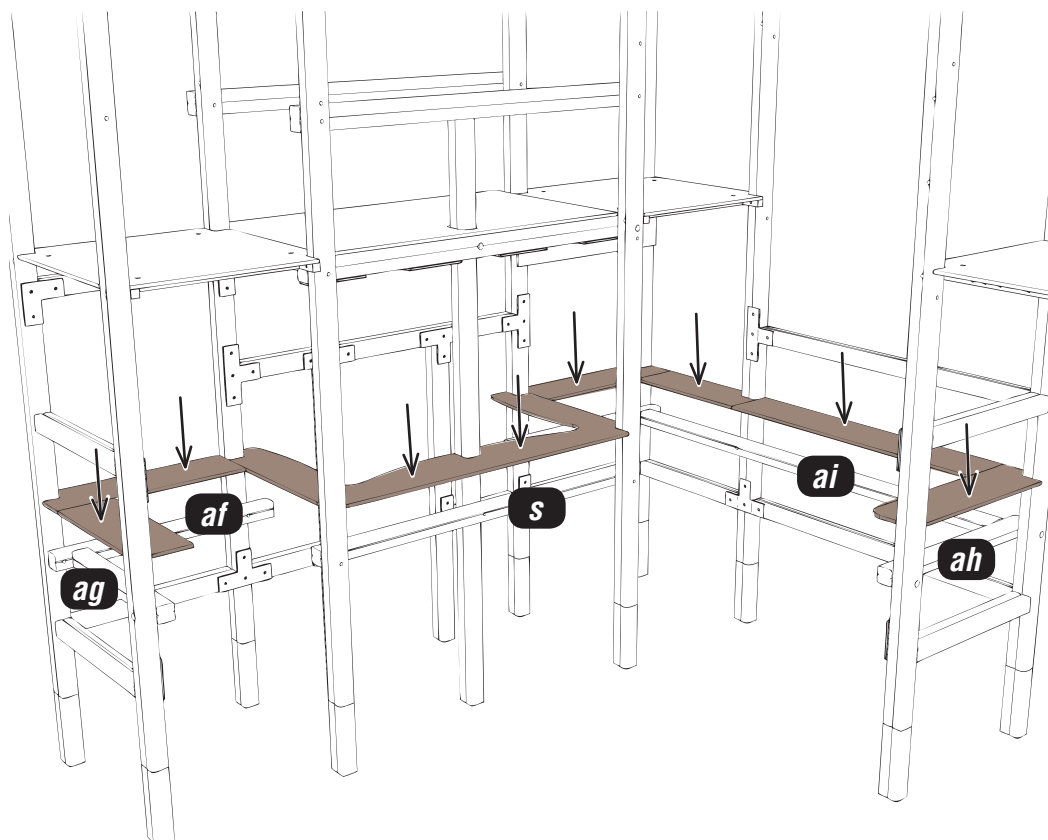
Using (1x 170mm) (1x 200mm) M12 - square cup bolt / 2x NYLOCS / 1x Covered end cap / 8 x FM80 'Brass Screws'



11

Attach the HEXBOARD SEATS to the timbers ZM101s/ag/afai/ah

Using 21 x FM80 'Brass Screws'

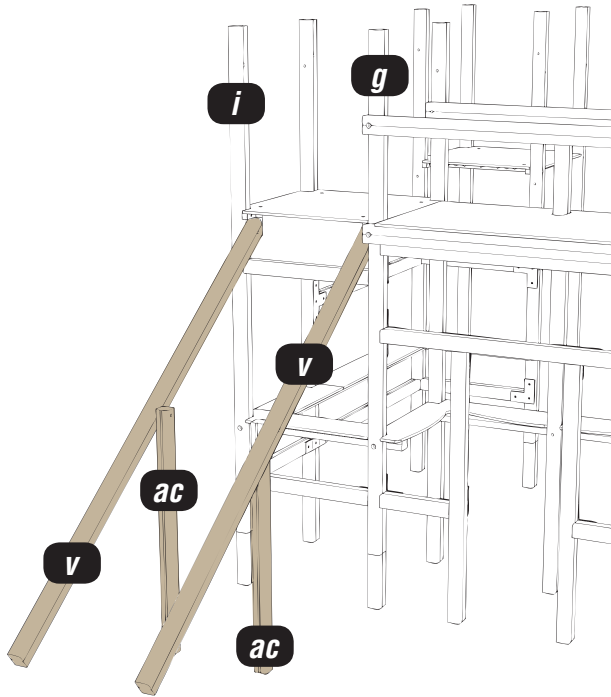


Installation Instructions

12

Attach the Timber ZM101v to the timbers WO101i/g/ac

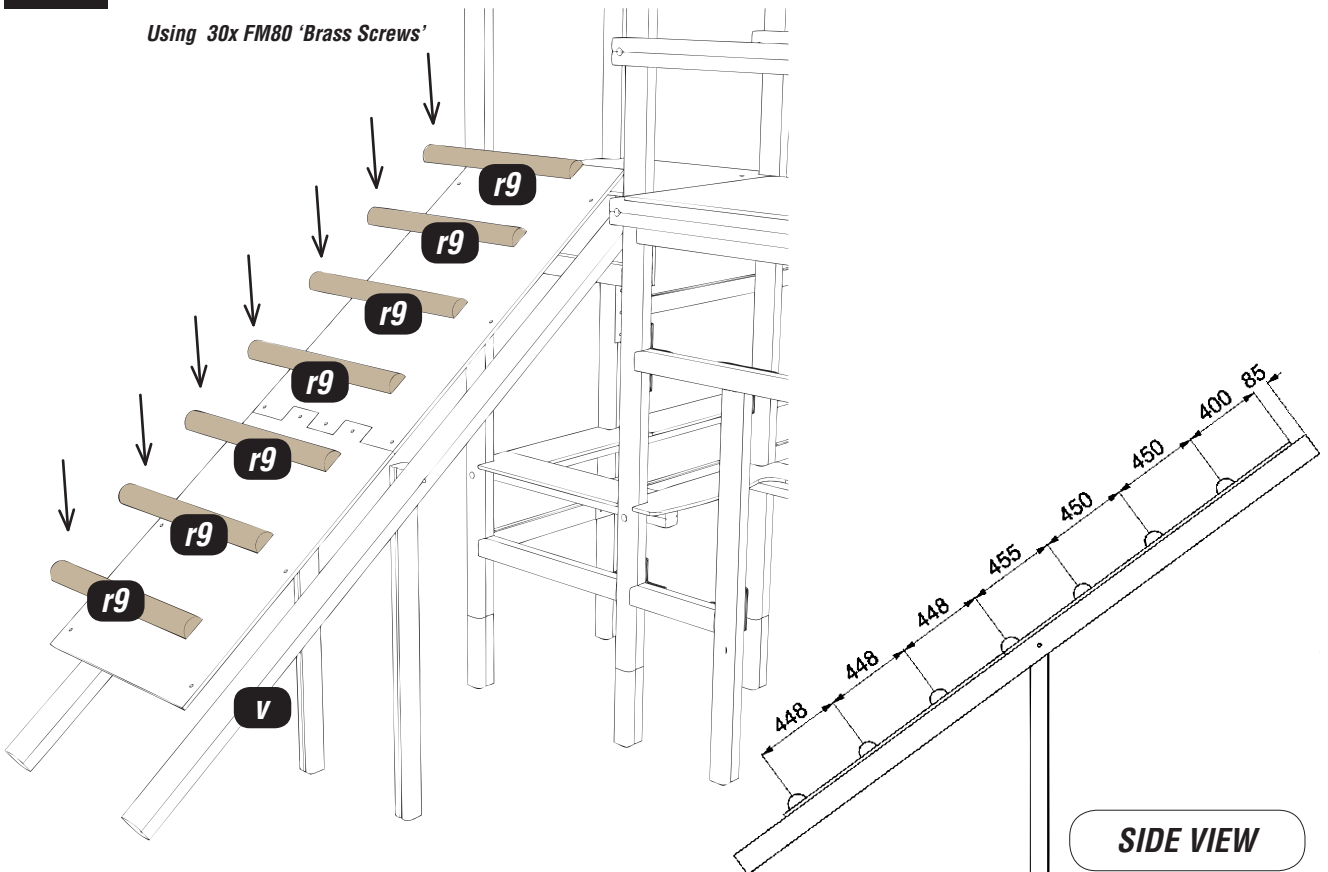
Using (1x 170mm) (3x 200mm) M12 - square cup bolt / 4x NYLOCS / 3x Covered end cap



13

Attach the HALF ROUND ZM101-r9 to HEXBOARD RAMP and to the timbers ZM101v

Using 30x FM80 'Brass Screws'

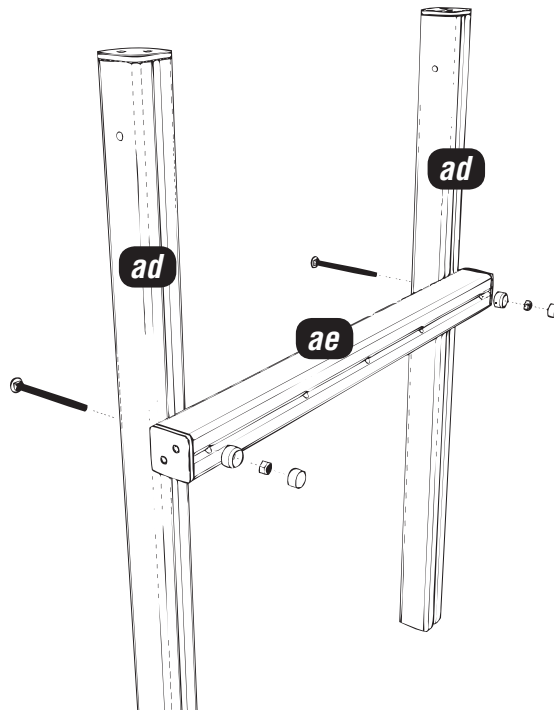


Installation Instructions

14

Attach the Timber ZM101ad to the timbers W0101ae

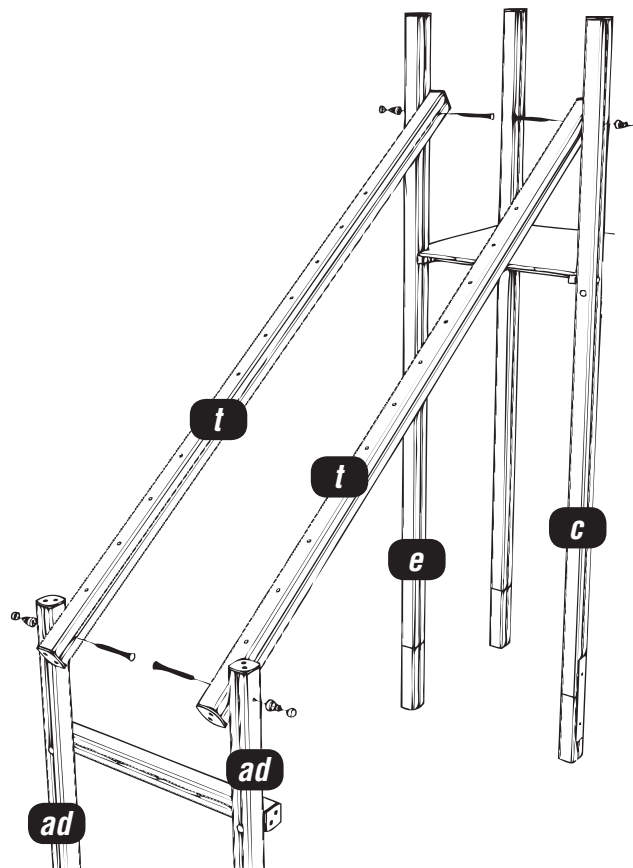
Using (2x 200mm) M12 - square cup bolt / 2x NYLOCS / 2x Covered end cap



15

Attach the Timber ZM101t to the timbers W0101c/e/ad

Using (4x 200mm) M12 - square cup bolt / 4x NYLOCS / 4x Covered end cap

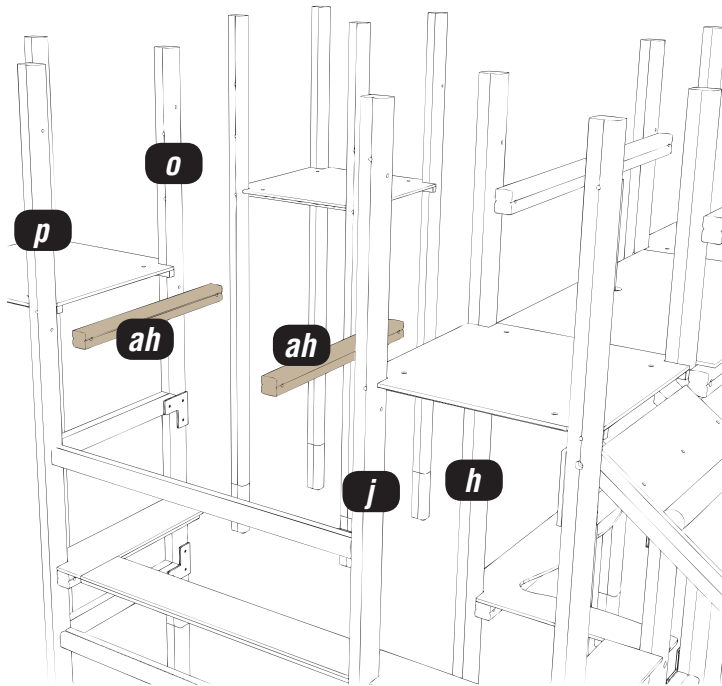


Installation Instructions

16

Attach the Timber ZM101ah to the timbers W0101h/j/o/p

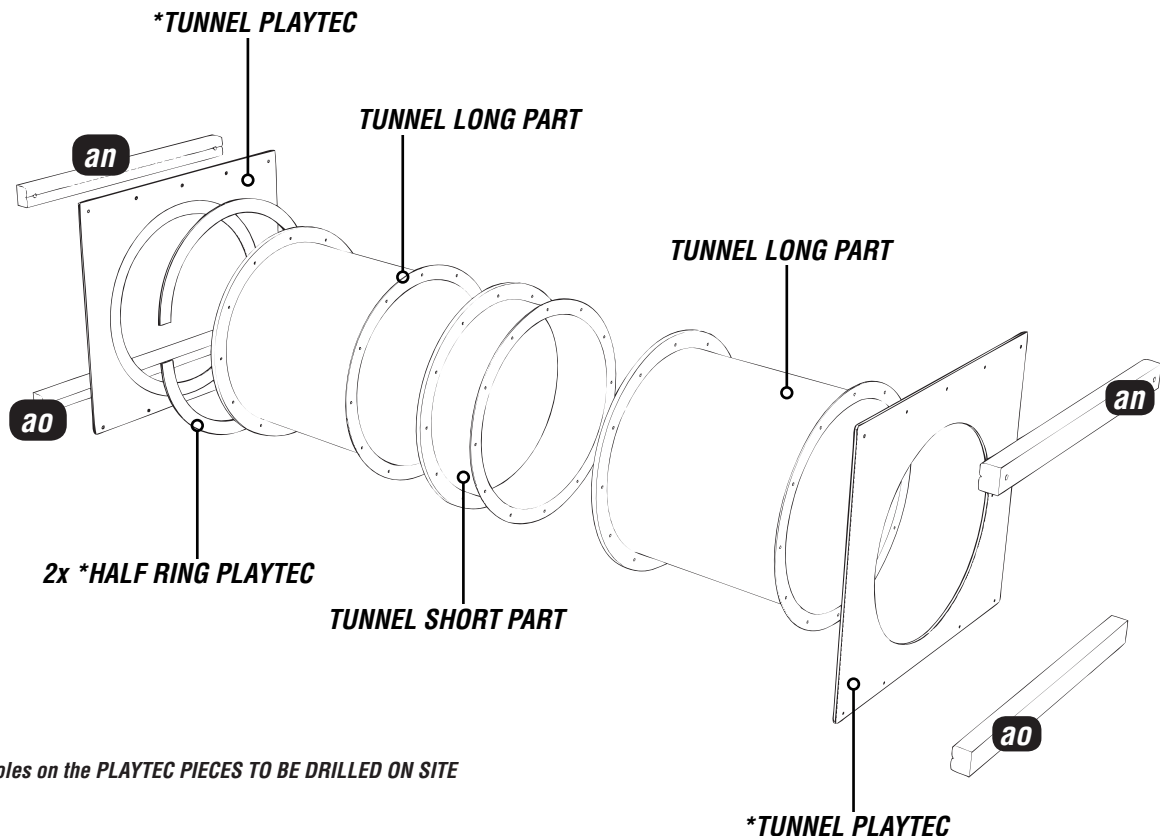
Using (4x 200mm) M12 - square cup bolt / 4x NYLOCS / 4x Covered end cap



17

Attach the TUNNEL PARTS, PLAYTEC COVERS AND TIMBERS W0101ao/an

Using 14x FM 80Brass Screws and TUNNEL FIXINGS

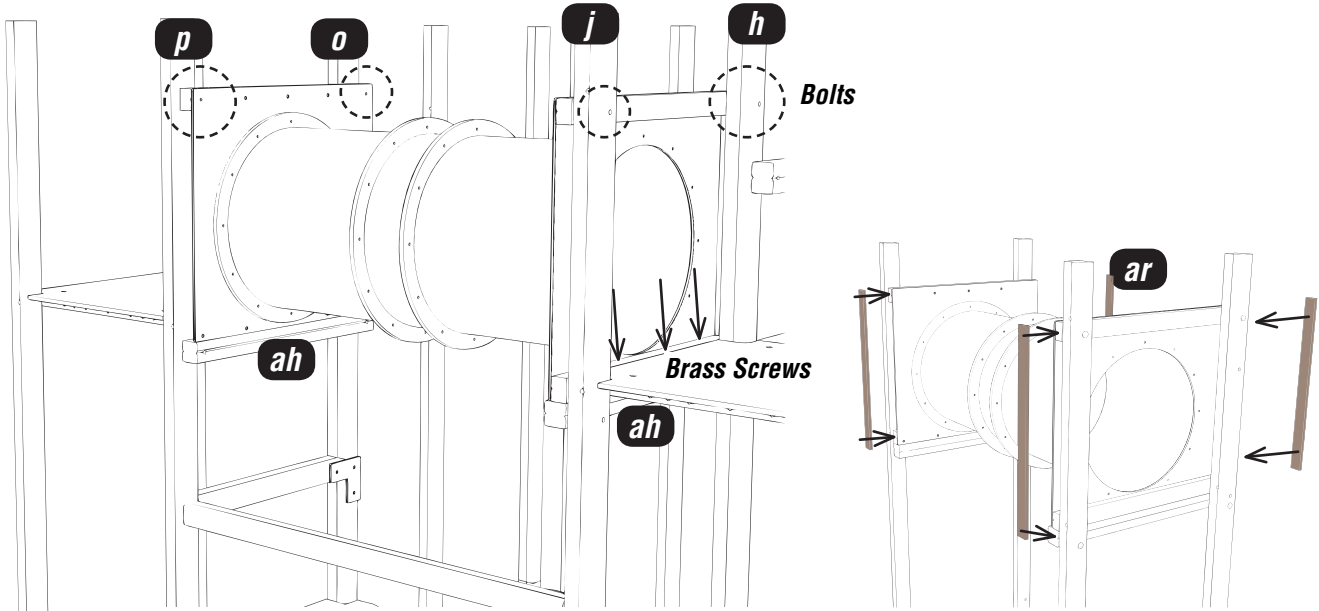


Installation Instructions

18

Attach the ASSEMBLY to the Timber ZM101ah to the timbers W0101ae

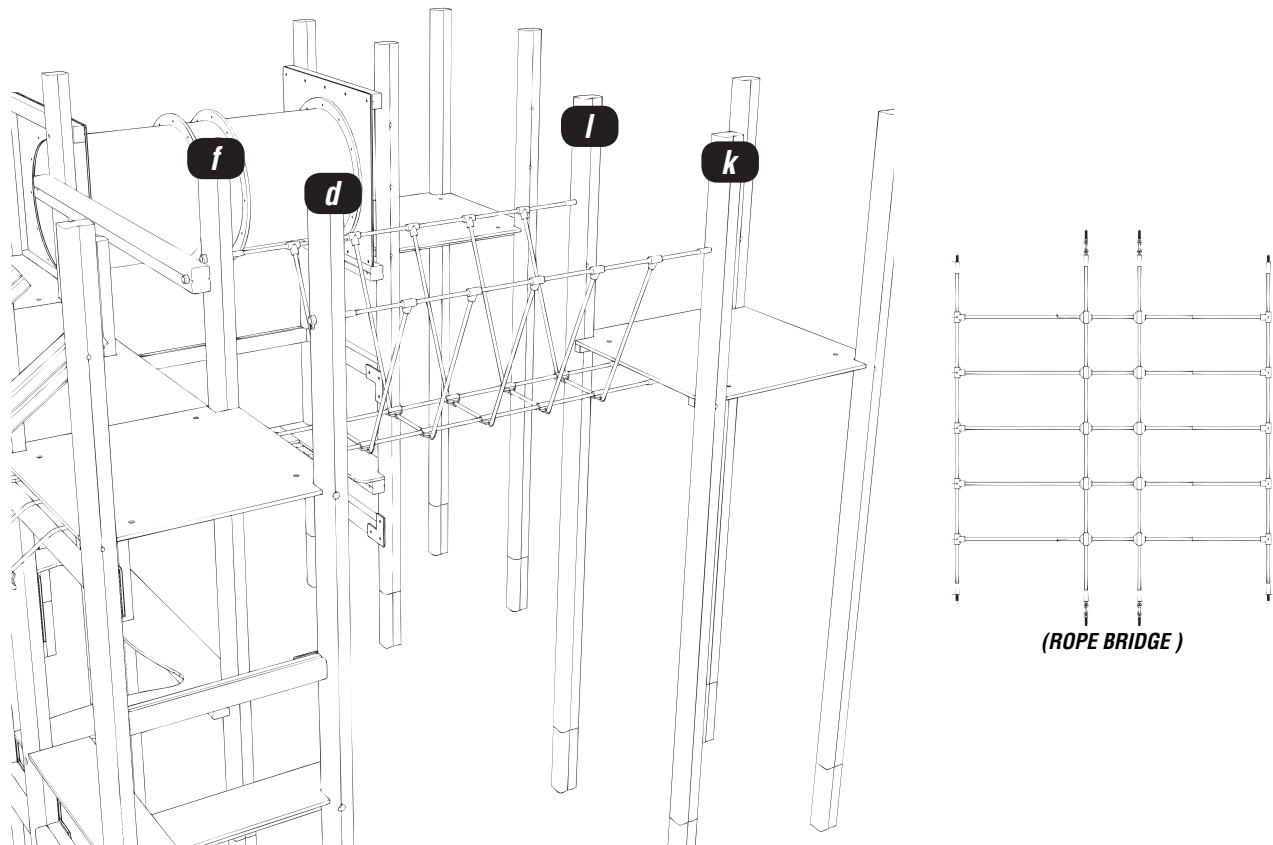
Using (4x 200mm) M12 - square cup bolt / 4x NYLOCS / 4x Covered end cap / 18x FM80 Brass Screws



19

Attach the ROPE BRIDGE to the TIMBERS W0101d/f/k/l and Metal Floors

Using 8x NYLOCS / 8x Covered end cap

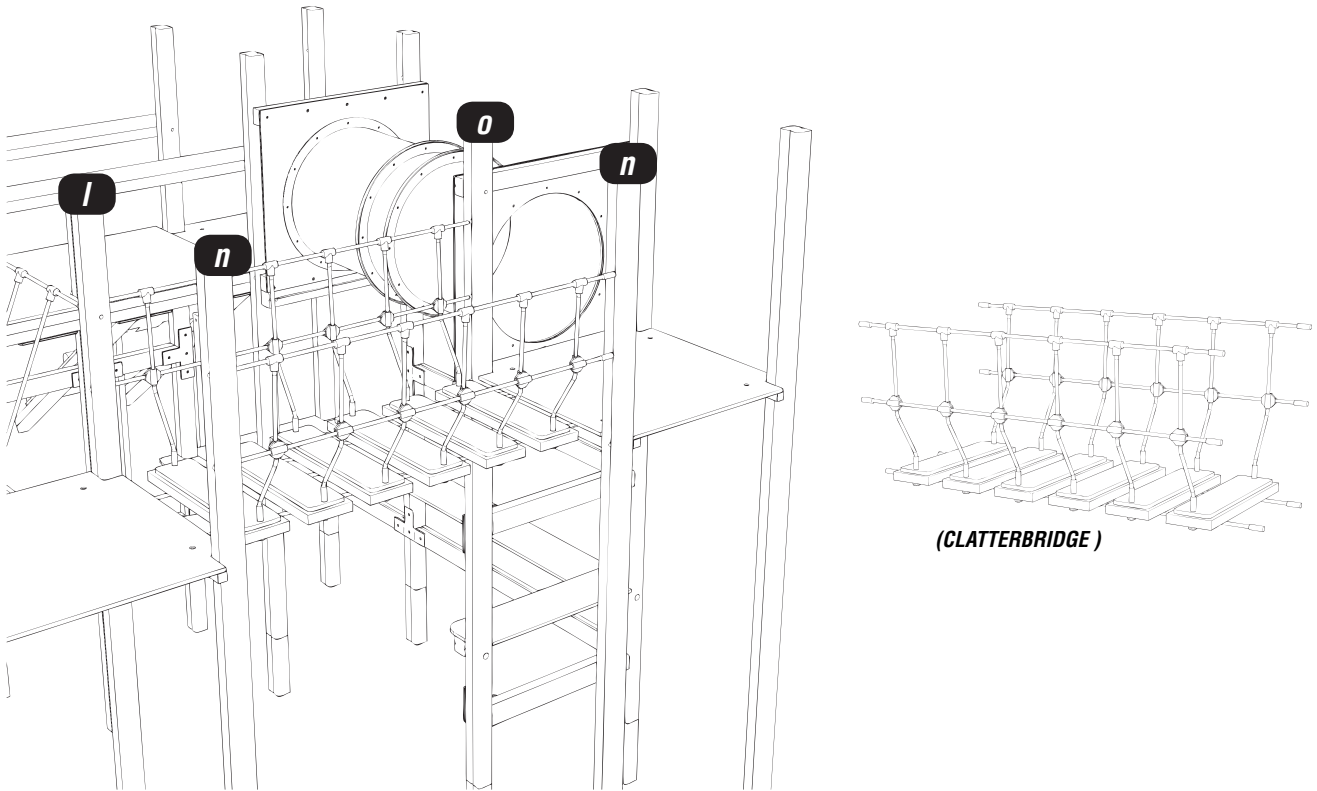


Installation Instructions

20

Attach the CLATTERBRIDGE to the TIMBERS W0101/n/o/ and Metal Floors

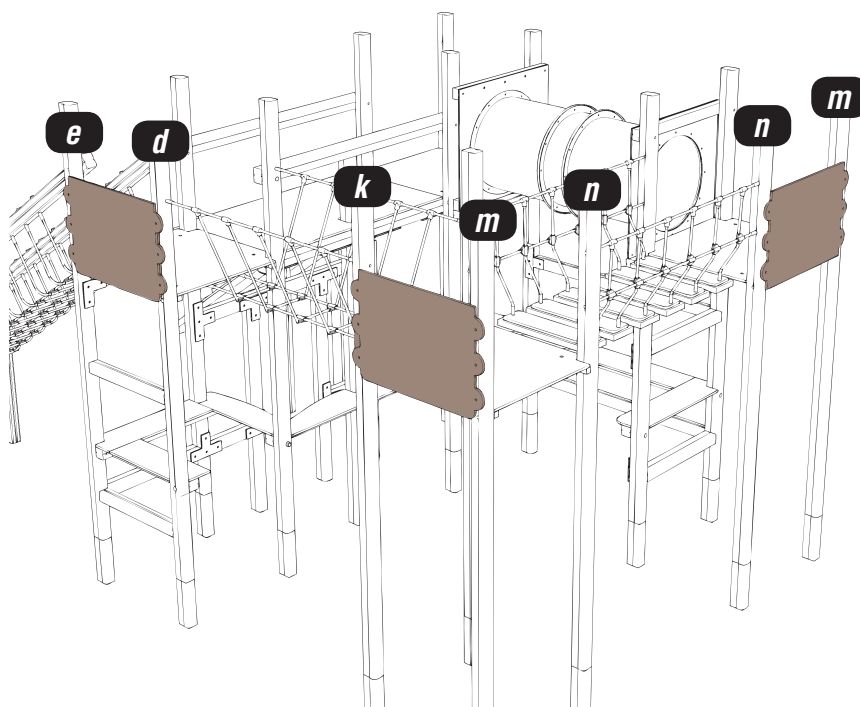
Using 12x NYLOCS / 12x Covered end cap



21

Attach the hexboard SIDE PANELS to the TIMBERS W0101/n/o/

Using 18x FM80 Brass Screws

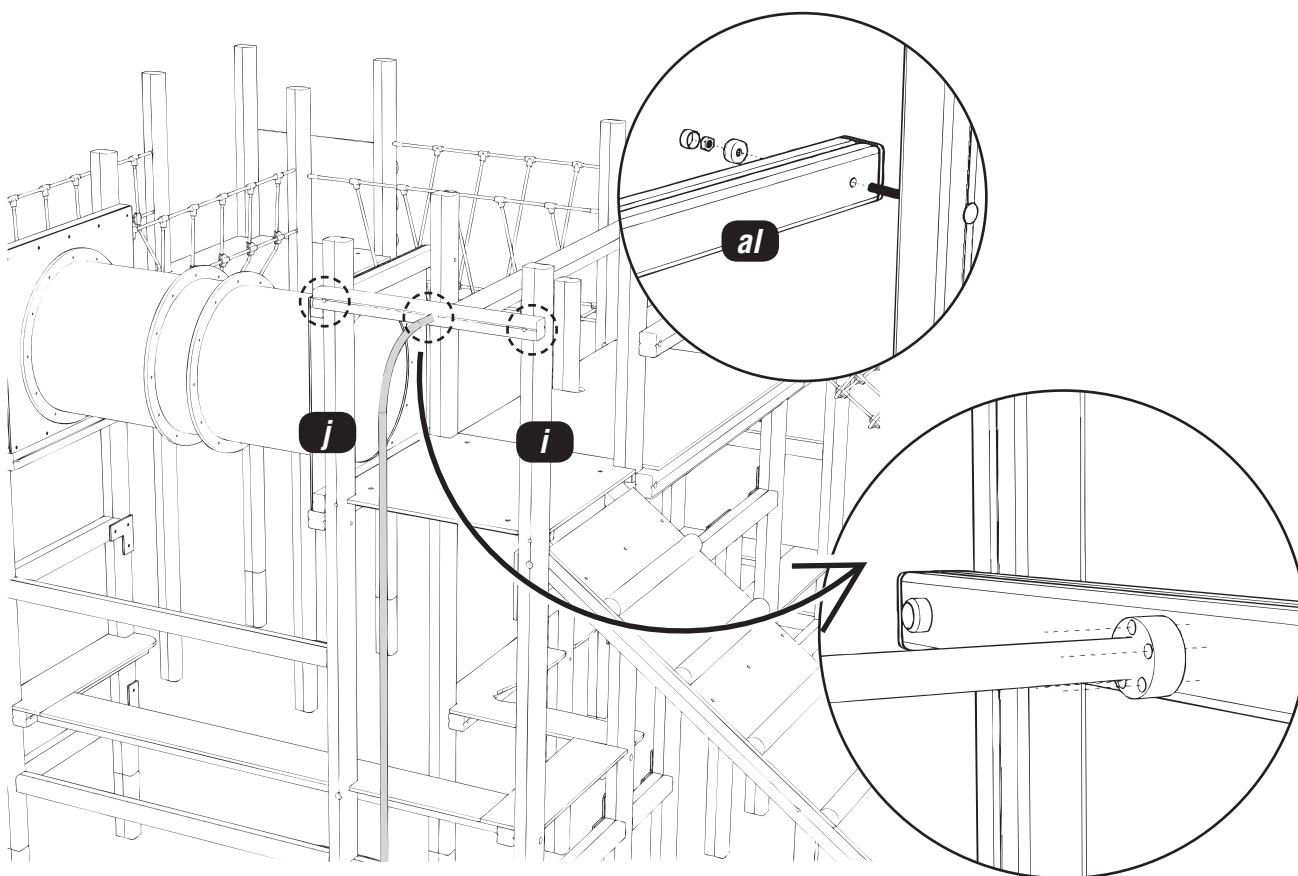


Installation Instructions

22

Attach the TIMBERS W0101a1 to the TIMBERS W0101i/j

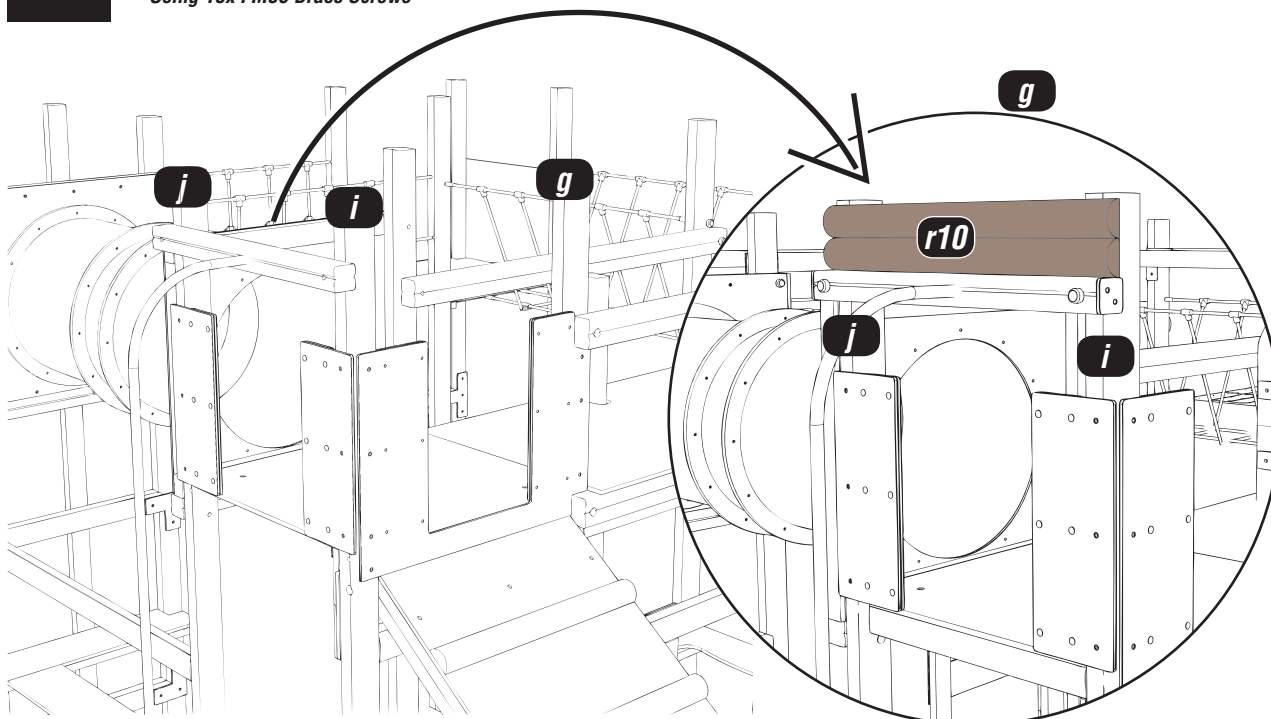
Using (2x 200mm) M12 - square cup bolt / 2x NYLOCS / 2x Covered end cap / 5x FM80 Brass Screws



23

Attach the FIREFIGHTERS COVER, RAMP COVER and ZM101-r10

Using 18x FM80 Brass Screws

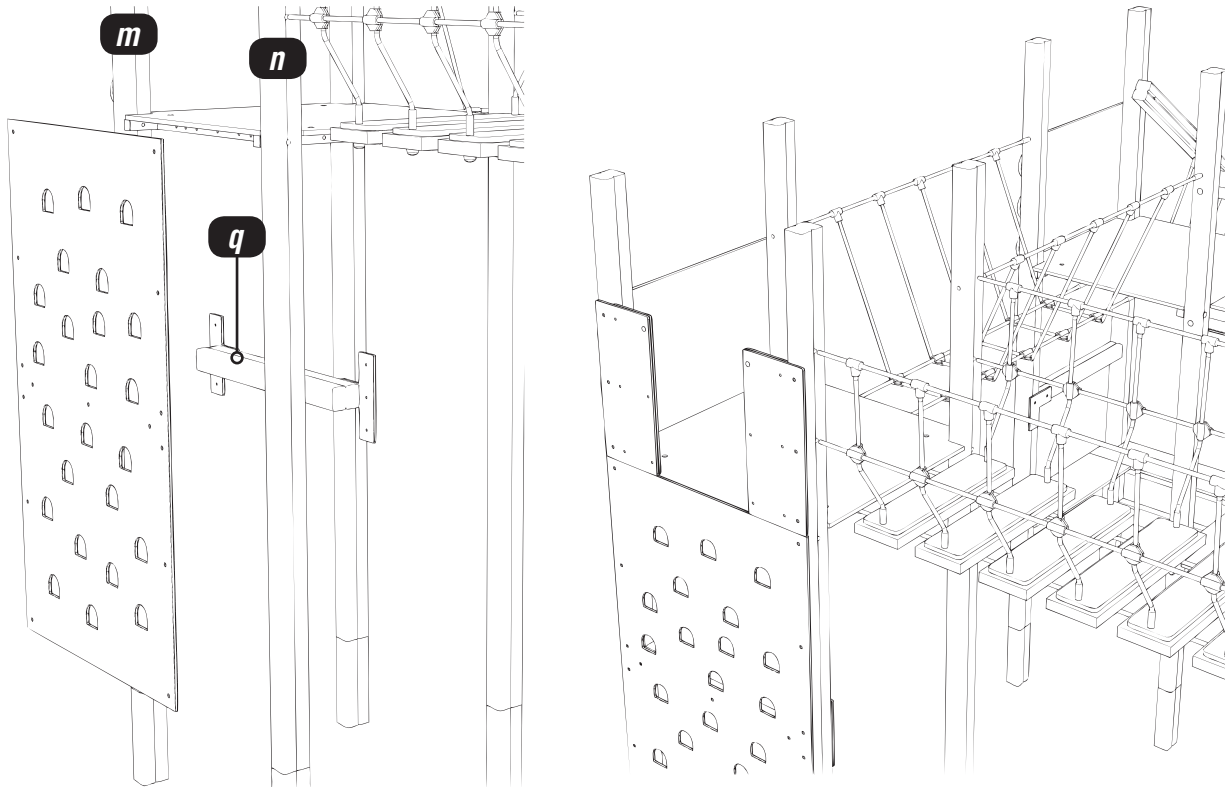


Installation Instructions

24

Attach the CLIMBING WALL and SIDE PANELS to the TIMBERS WO101m/n/q

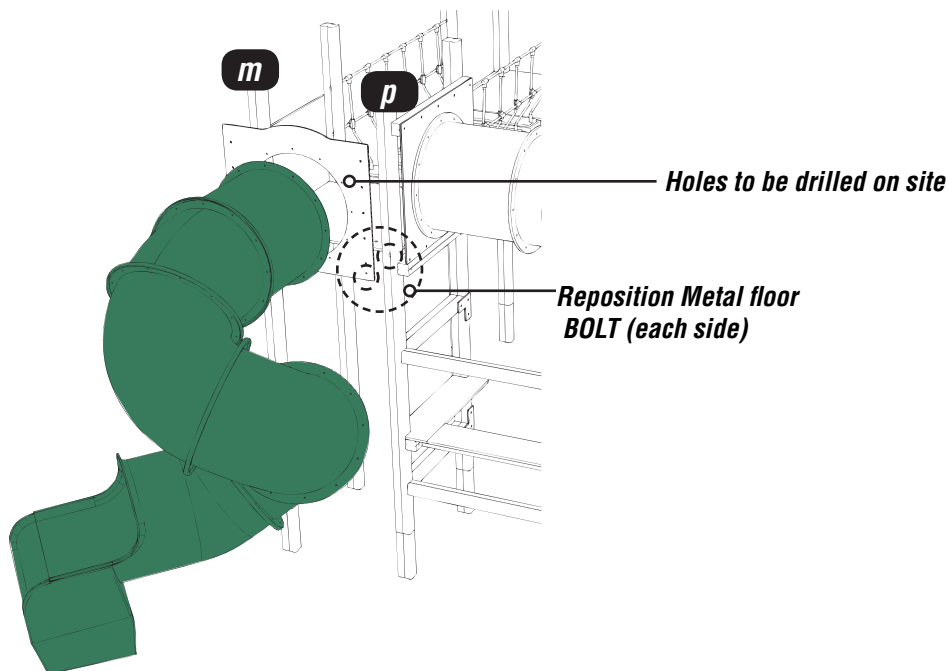
Using 29X FM80 Brass Screws



25

Attach the TIMBERS WO101a1 to the TIMBERS WO101i/j

Using Slide Fixings / 10x FM80 Brass Screws

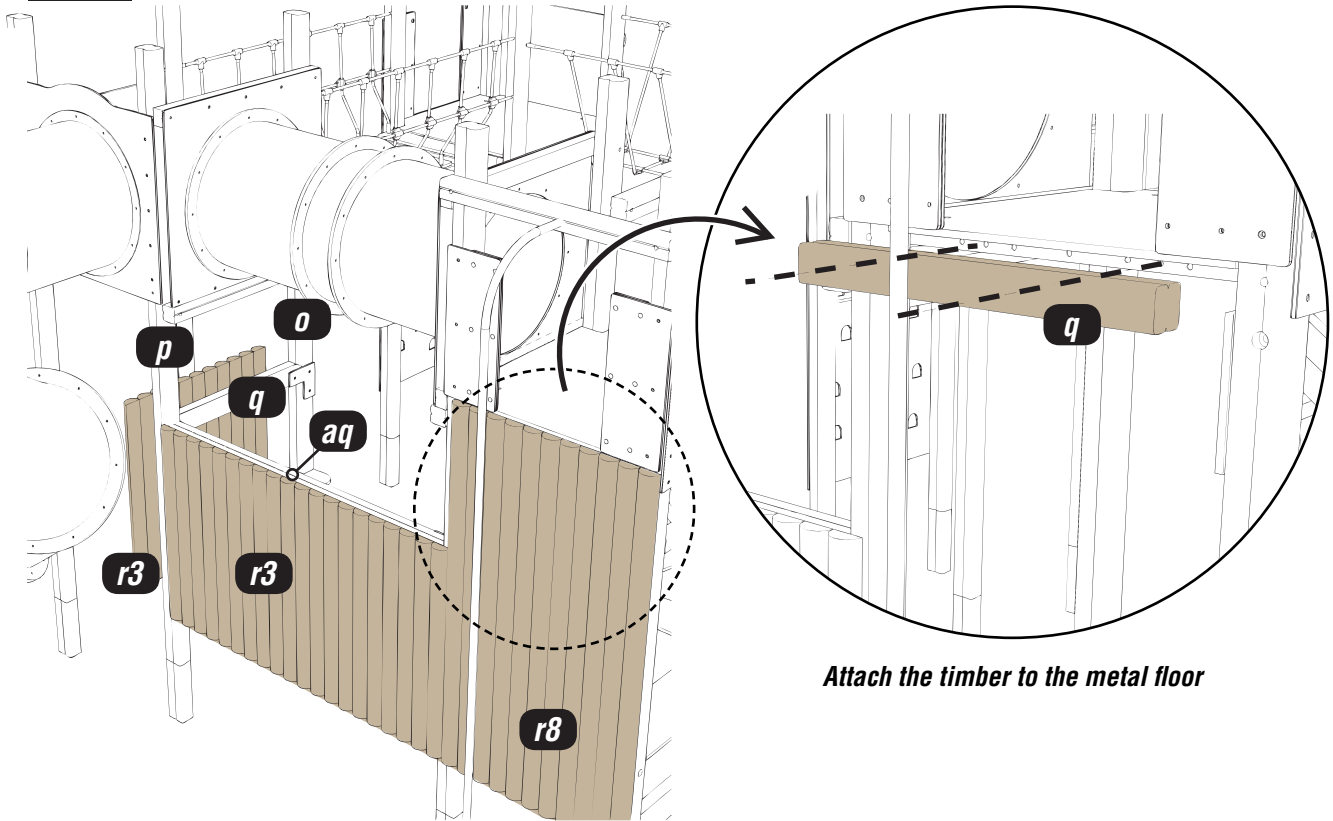


Installation Instructions

26

Attach the HALF ROUND ZM101-r3/8 to the TIMBERS ZM101o/p/q/aq

Using (2x 150mm) M12 - square cup bolt / 2x NYLOCS / 2x Covered end cap / 84x FM80 Brass Screws

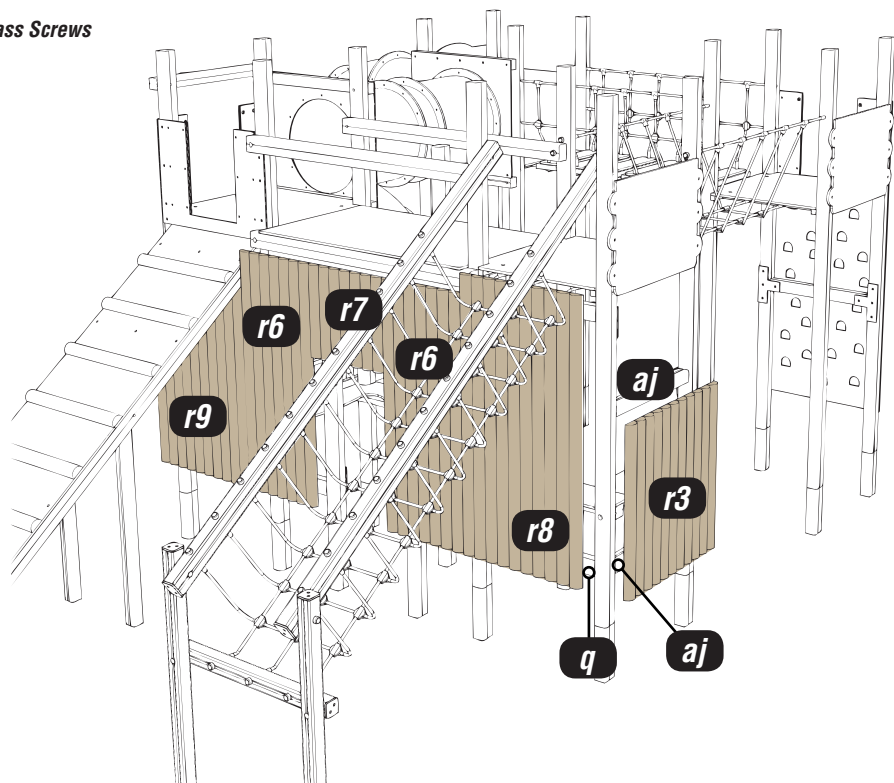


Attach the timber to the metal floor

27

Attach the HALF ROUND ZM101-r3/6/7/8/9 to the TIMBERS ZM101b/r/q/aj

Using 104 x FM80 Brass Screws

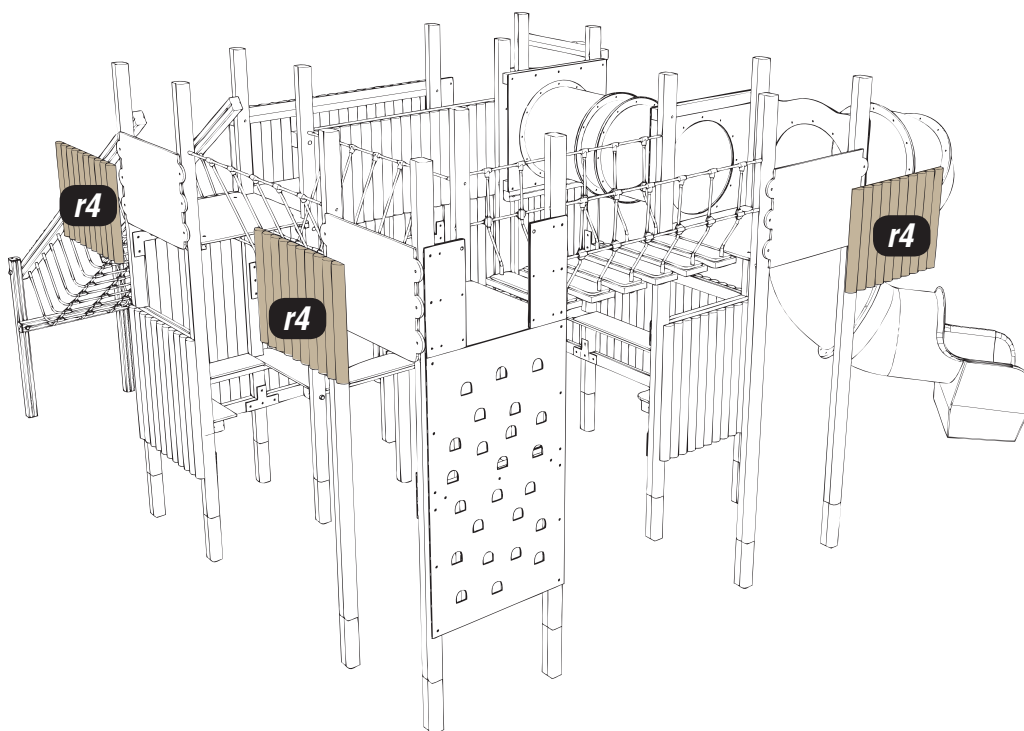


Installation Instructions

28

Attach the HALF ROUND ZM101-r3/8 to the HEXBOARD

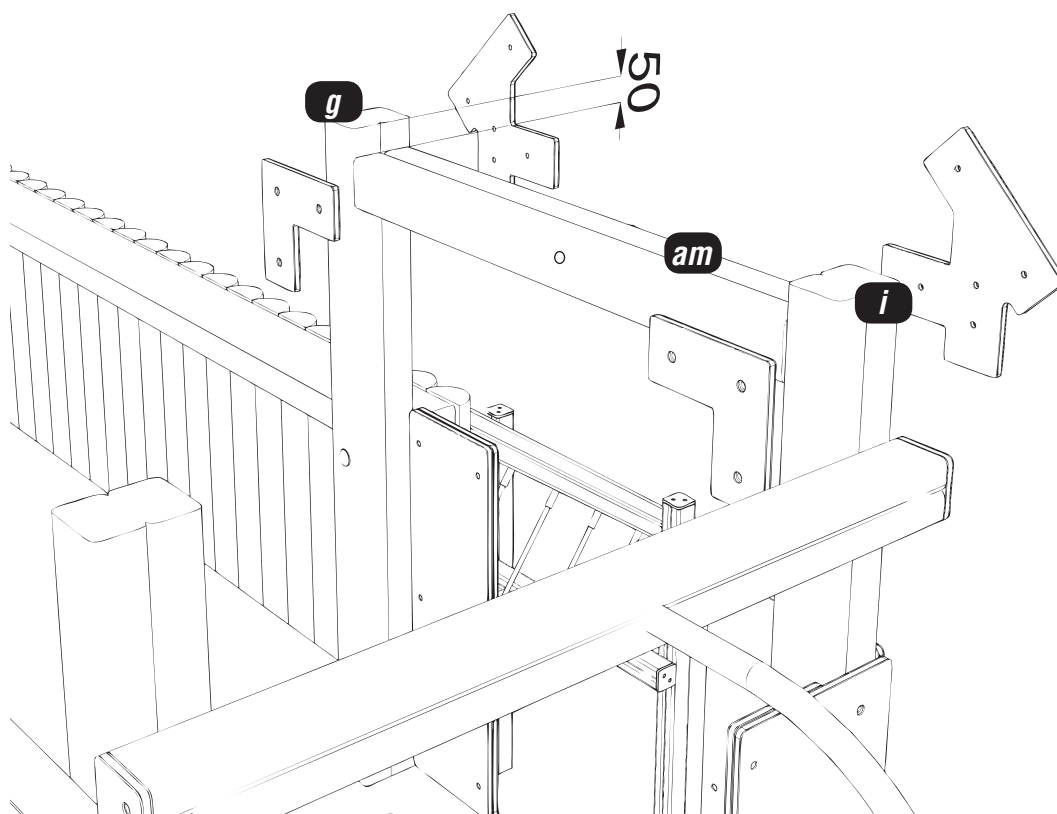
Using 60x 7.5 x 60 'Brass screws'



29

Attach the TIMBER ZM101am to the TIMBERS ZM101g/i

Using 12 x FM80 Brass Screws

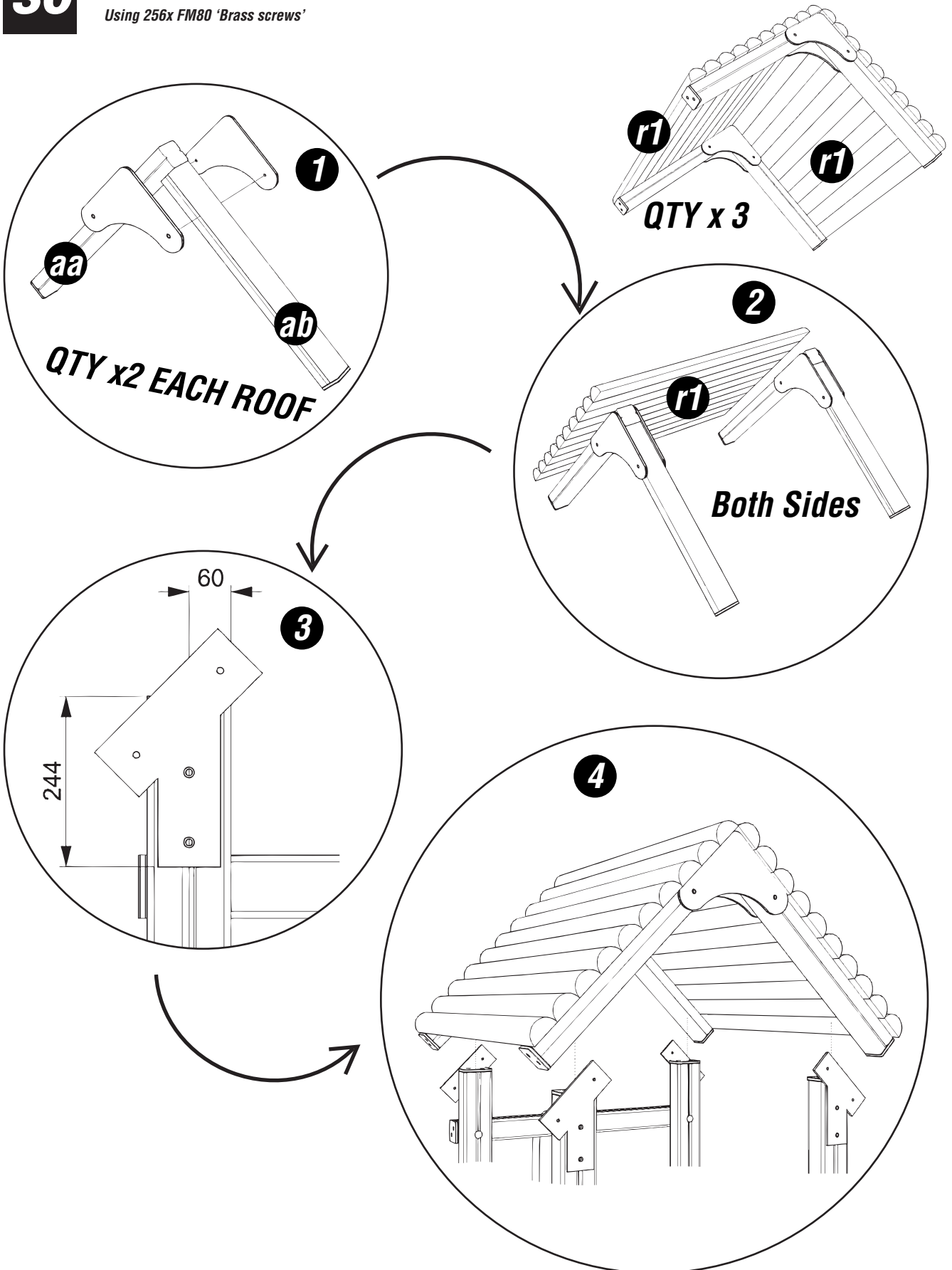


Installation Instructions

30

Attach the **HALF ROUND ZM101-r1** to the **TIMBER ZM101aa/ab**

Using 256x FM80 'Brass screws'

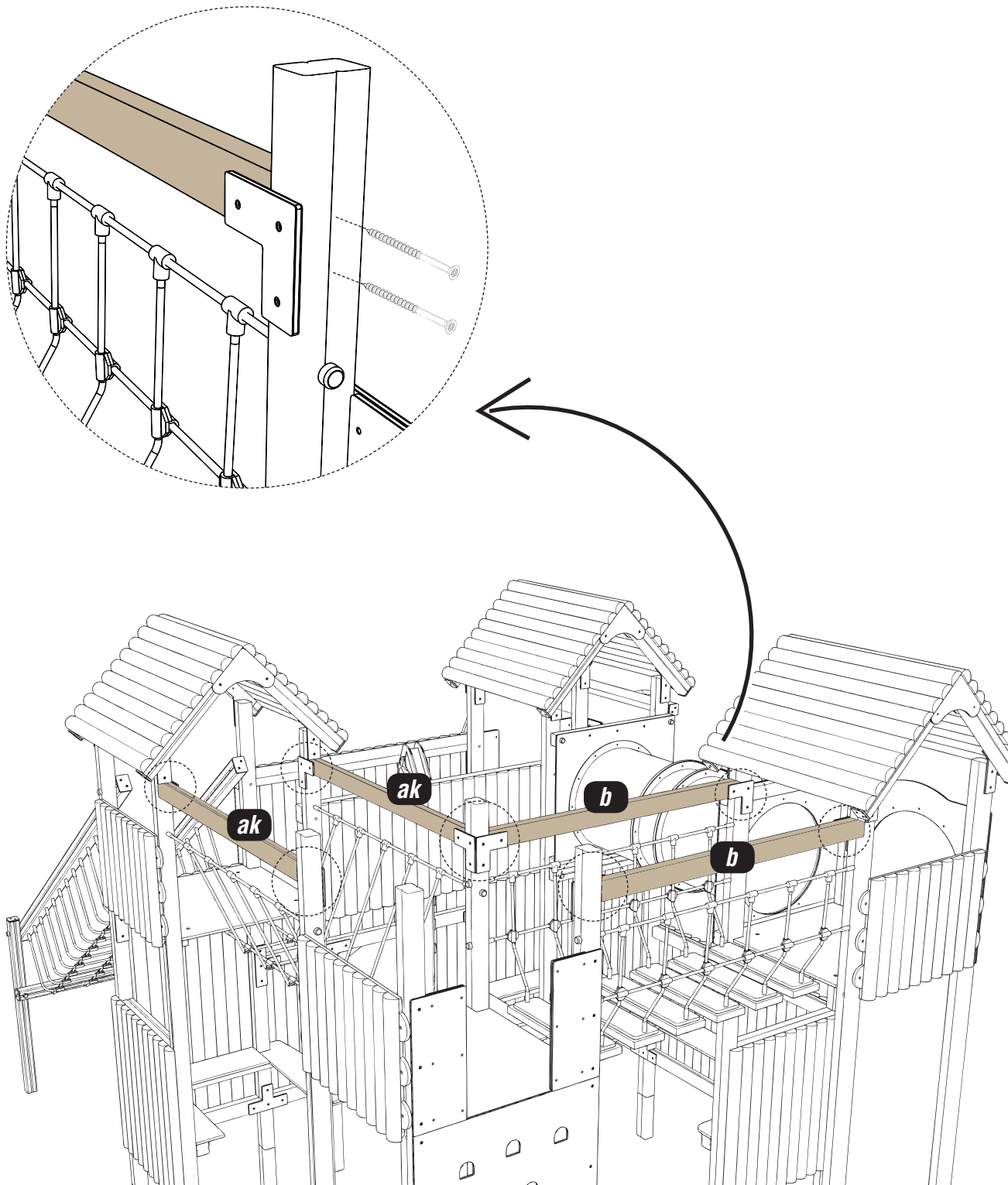


Installation Instructions

31

Attach the *SUPPORT TIMBERS*

Using 60x FM80 'Brass screws' / 16x FM120 'Brass screws'

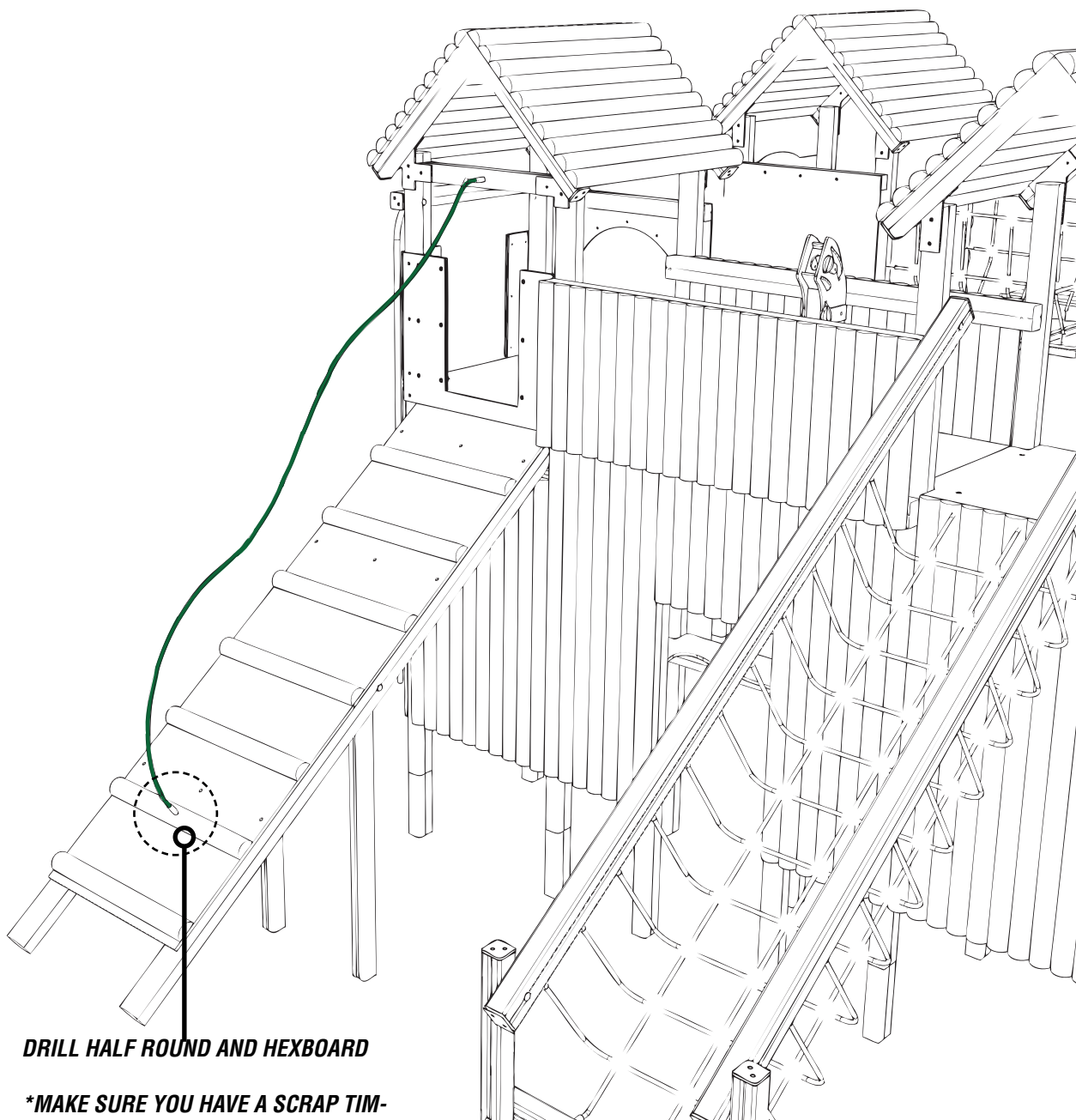


Installation Instructions

32

Attach the ROPE to the RAMP and ZM101am

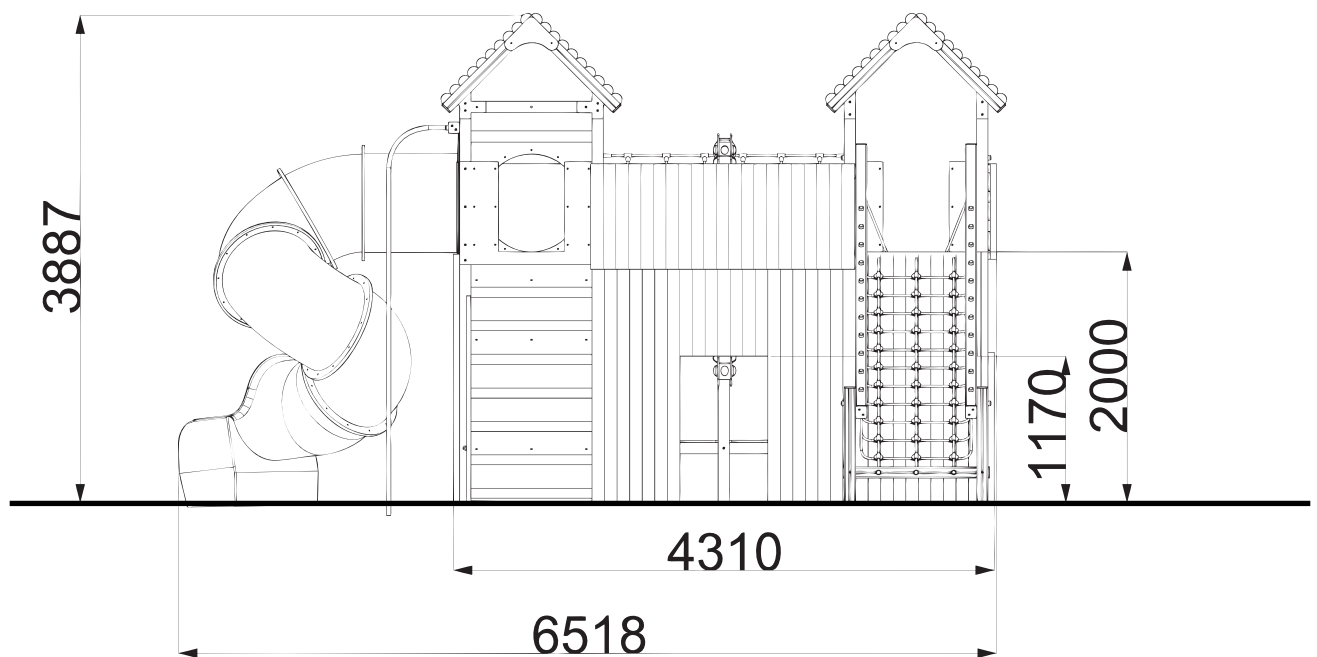
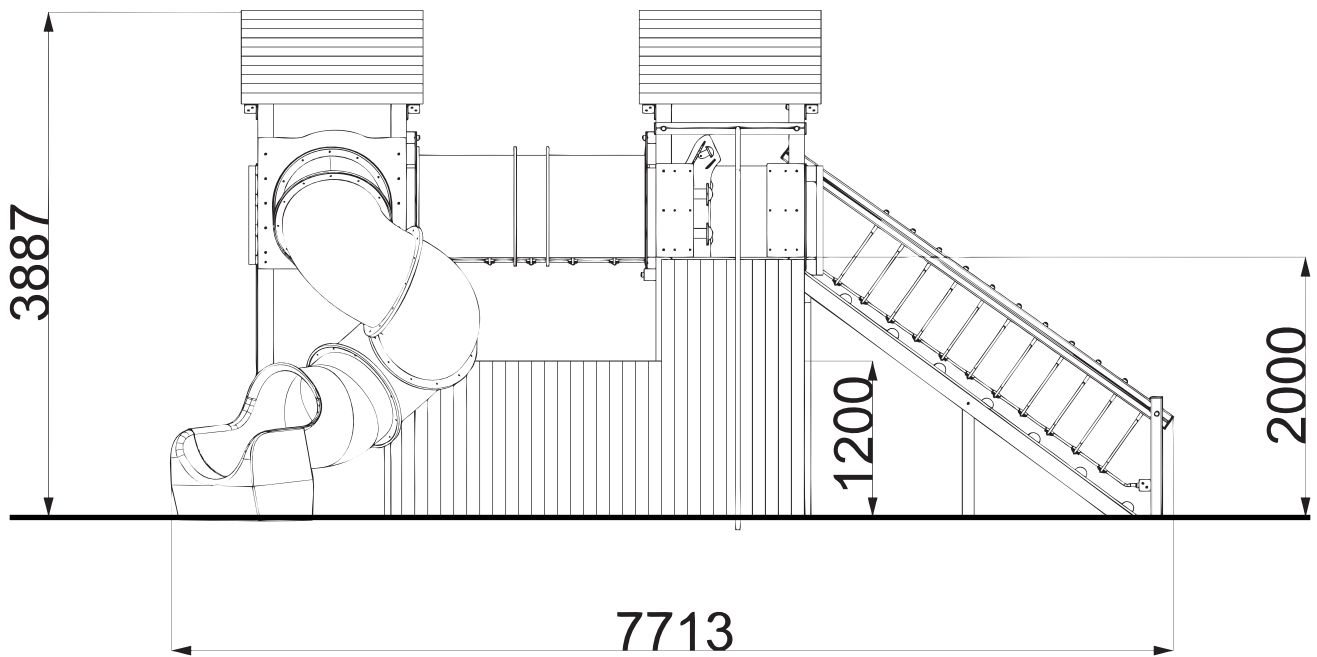
Using 2x NYLOCS / 2x Covered end cap



DRILL HALF ROUND AND HEXBOARD

***MAKE SURE YOU HAVE A SCRAP TIMBER AGAINST THE UNDERSIDE OF THE HEXBOARD WHEN DRILLING (this is to ensure the hex board doesn't 'splinter')**

Additional Dimensions



Installation Instructions



CLATTERBRIDGE

SLATS NEED TO BE DRILLED ON SIDE

