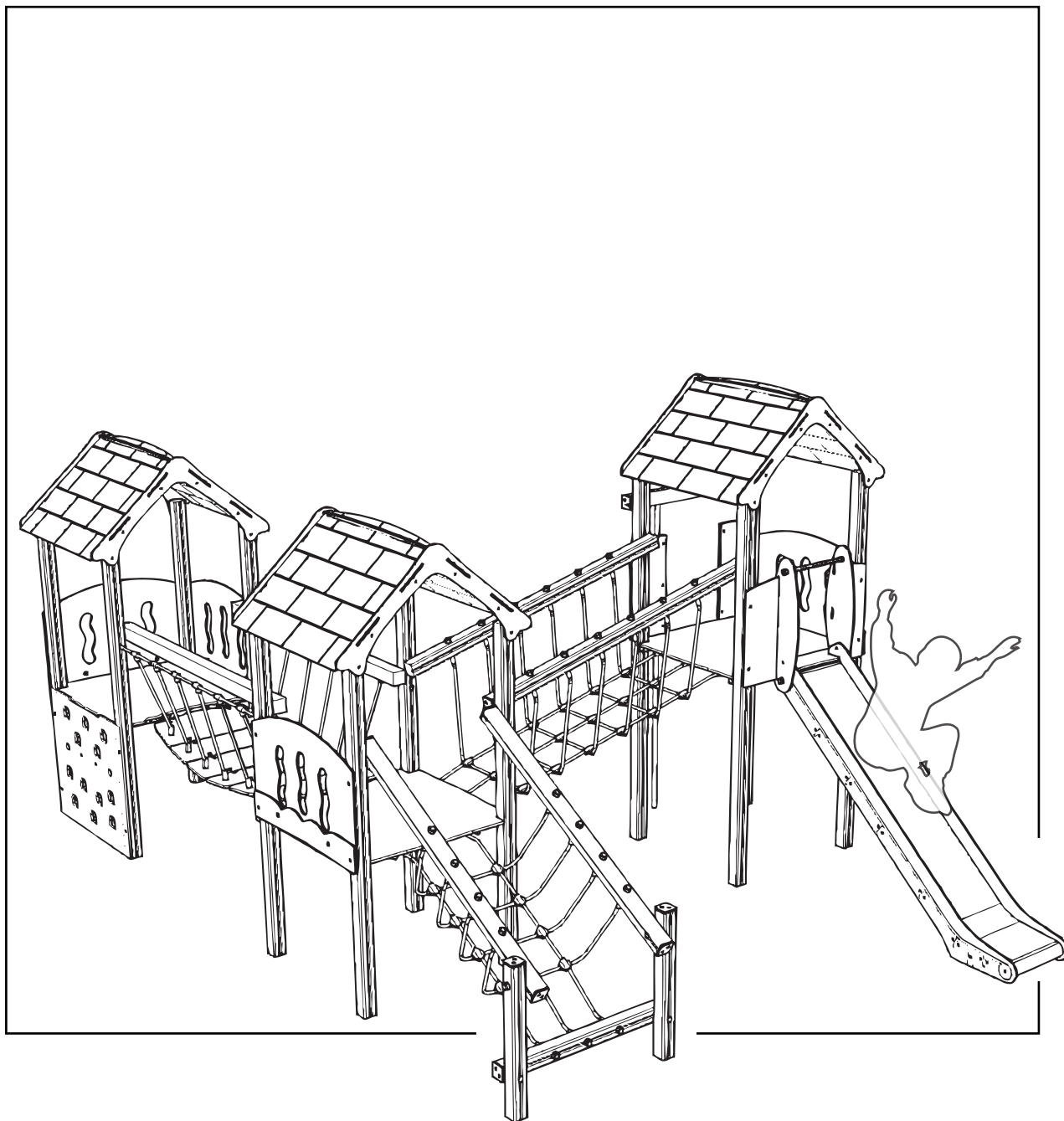


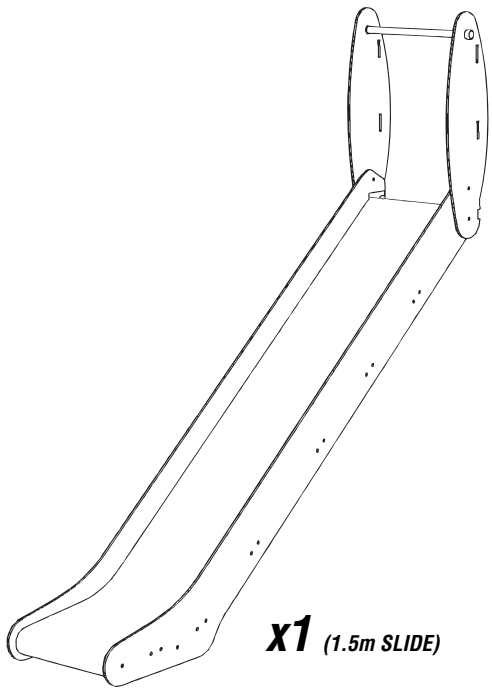
ZENITH THREE MULTI

Installation Instructions

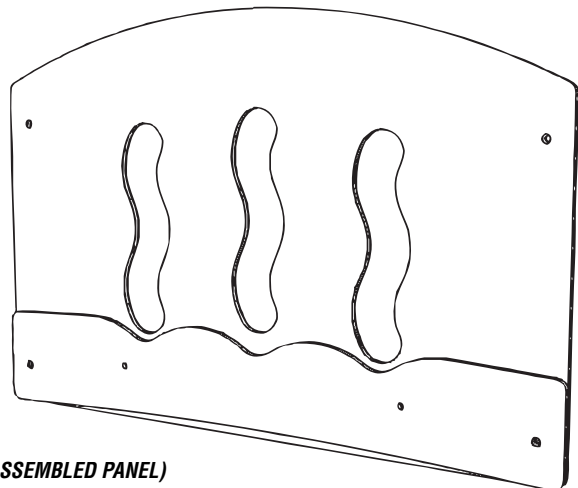
creative
play



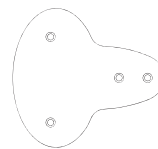
PARTS required (PLAYTEC)



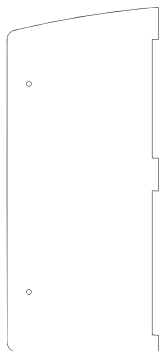
x1 (1.5m SLIDE)



x4 (PRE-ASSEMBLED PANEL)

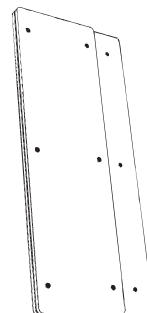


x4 (STANDARD 90X90 "T")



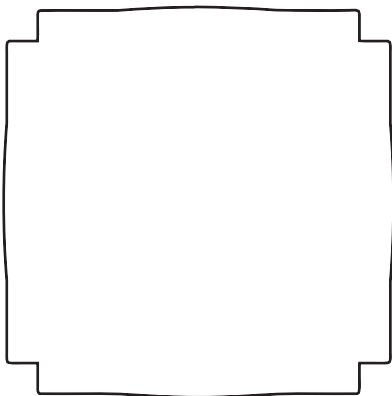
x1 LEFT (SLIDE SIDE)

x1 RIGHT (SLIDE SIDE)

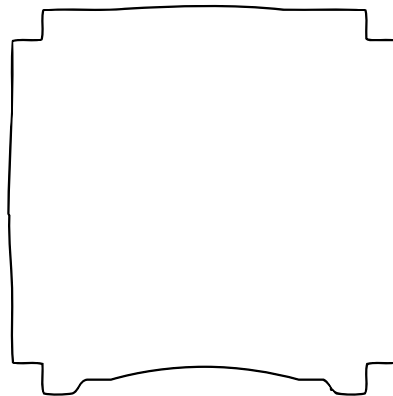


x2 (SIDE PANEL)

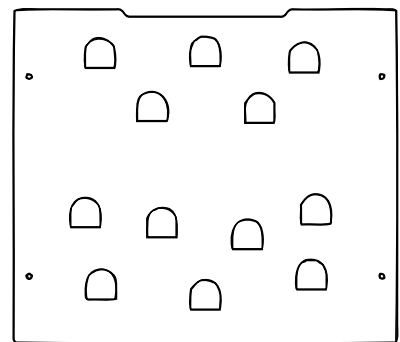
PARTS required (HEXBOARD)



x1 (90 x 90 FLOOR)

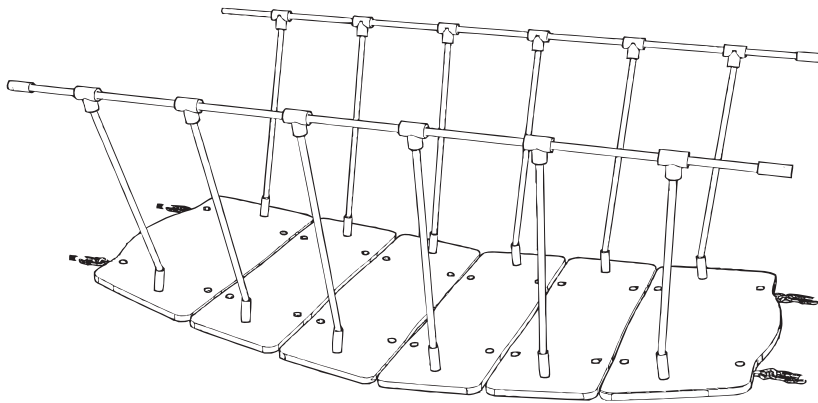


x2 (CLATTERBRIDGE 90 x 90 FLOOR)

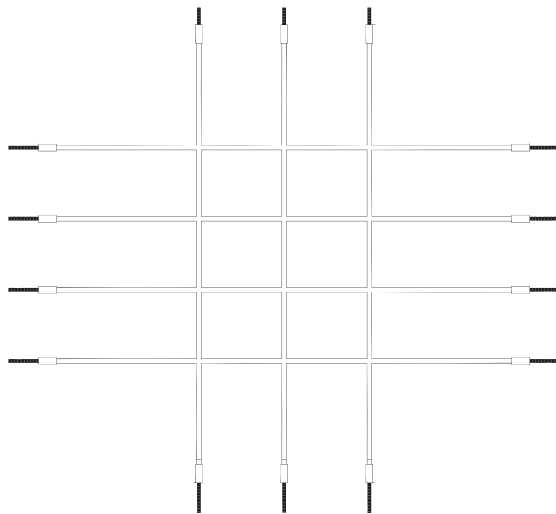


x1 (1m CLIMBING WALL)

PARTS required (NETS)



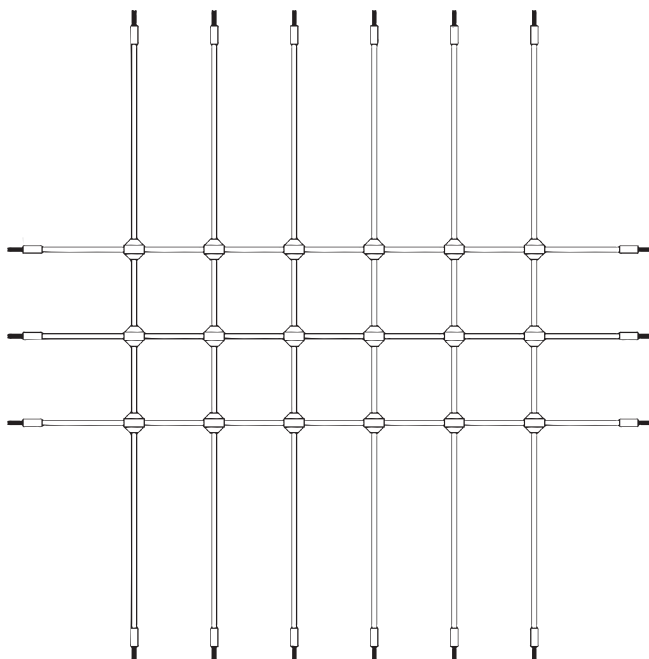
x1 (CLATTERBRIDGE)



x1 (1m NET RAMP)

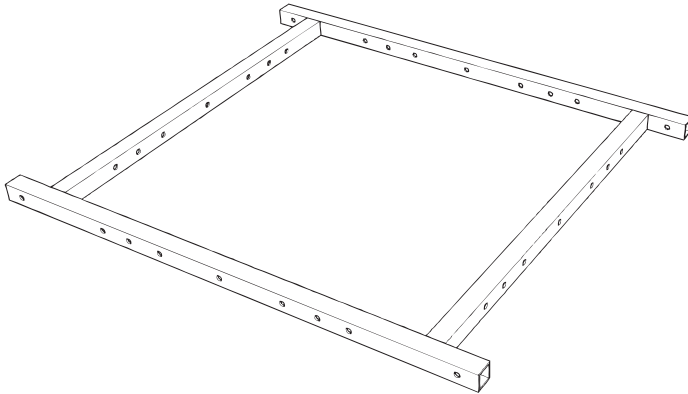


x1 (ROPE)

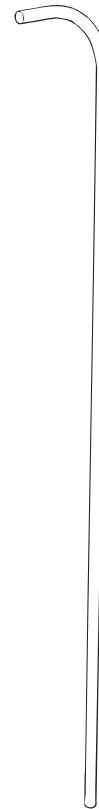


x1 (INCLINED NET RAMP)

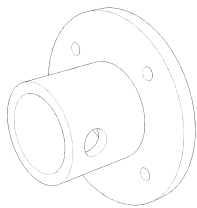
PARTS required (TIMBERS)



x3 (ZENITH TOWERS STANDARD FLOOR 90x90)



x1 (FIREMAN'S POLE)



x1 (FIREMAN'S POLE RING)



x3 (FM40 'Brass screws')

x50 (FM80 'Brass screws')



x12 (M12 x 160 SQUARE CUP HEX BOLTS)

x12 (M12 x 200 SQUARE CUP HEX BOLTS)





x64 (M12 'NYLOC')

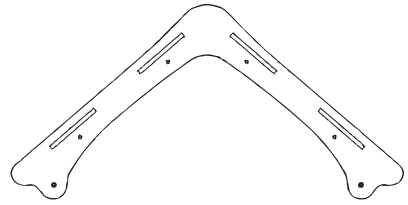


x64 (End Caps)

PARTS required (STANDARD ROOF)

 **x24** (ROOF CLIPS)

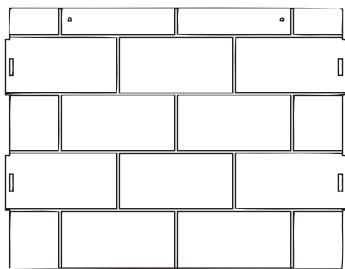
 **x3** (TOP ROOF CLIP)

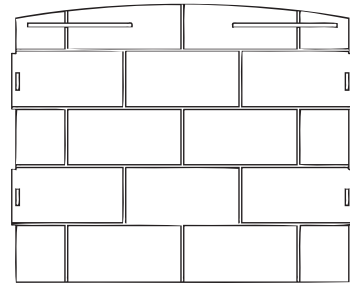
 **x6** (SIDE ROOF)

 **x30** (N1 - TORKTAINER)

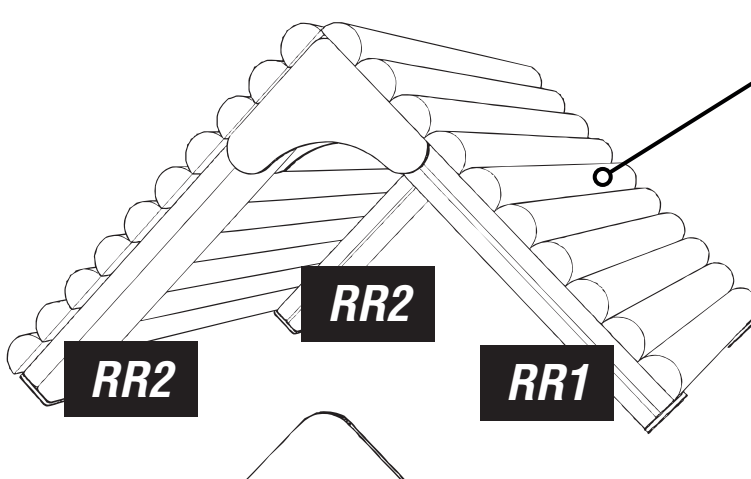
 **x30** (3B- TORKTAINER)

 **x12** (FM80 'Brass screws')

 **x3** (FRONT ROOF)


 **x3** (BACK ROOF)

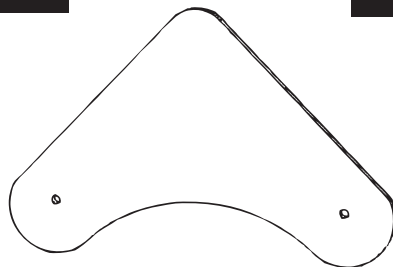
PARTS required (RUSTIC ROOF)

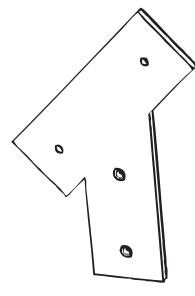
 **RR3** **x60** (HALF ROUND TIMBERS)

RR2 **x6**

RR1 **x6**

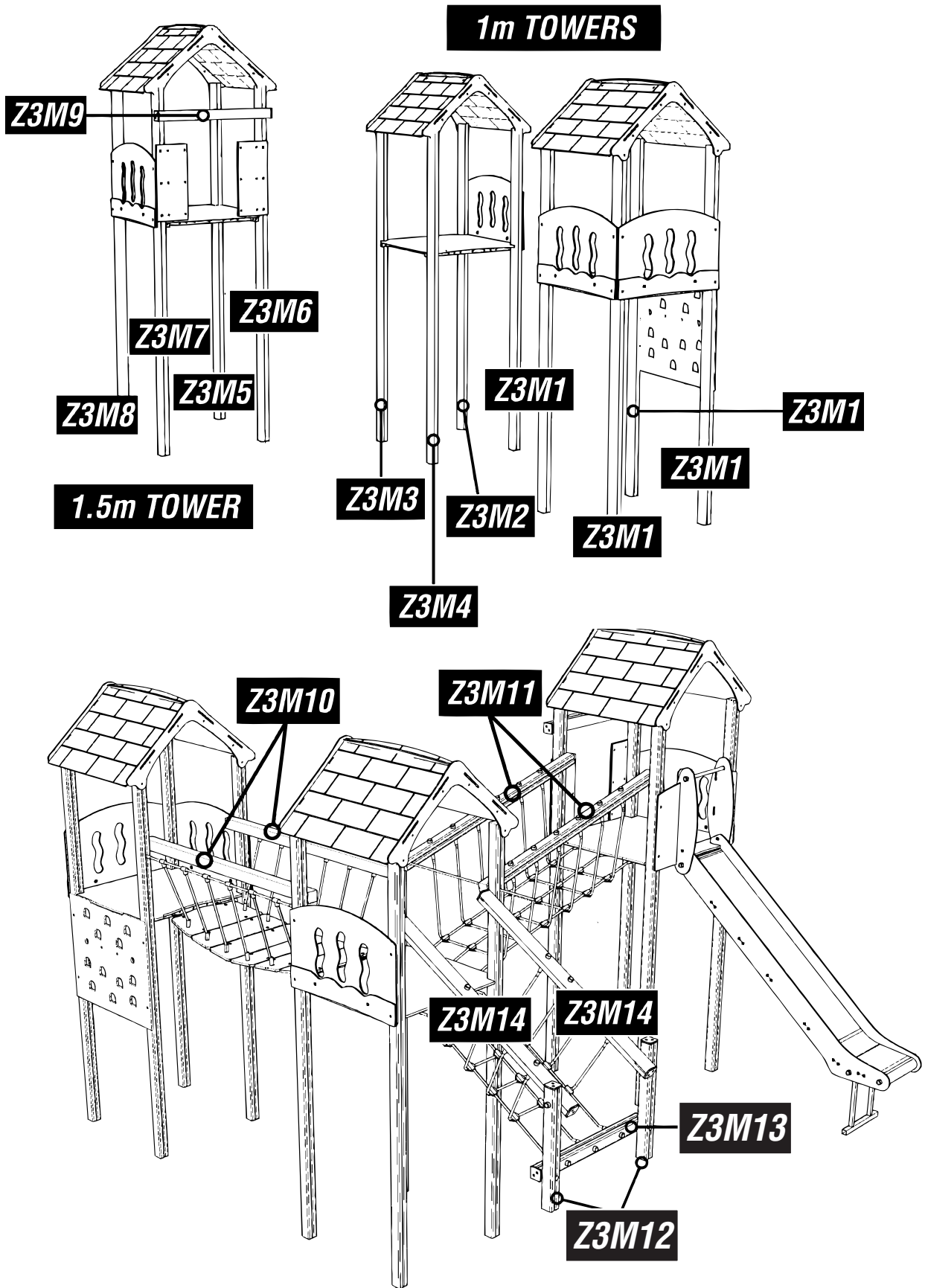
 **x192** (FM80 'Brass screws')

 **x12** (TOP RUSTIC ROOF)

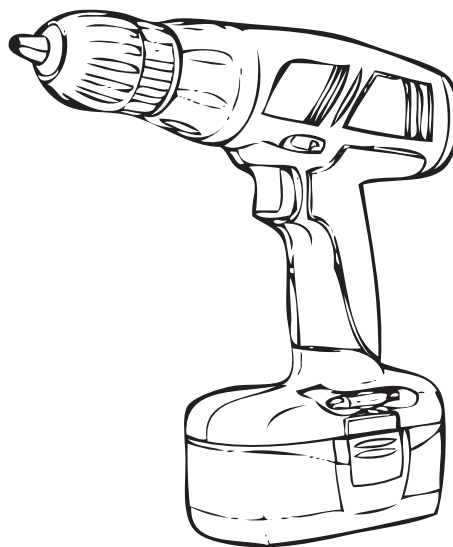
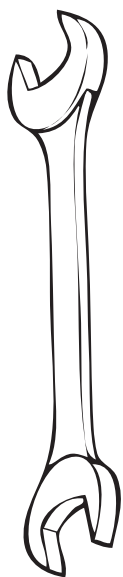
 **x6 LEFT** (SIDES RUSTIC ROOF)

x6 RIGHT (SIDES RUSTIC ROOF)

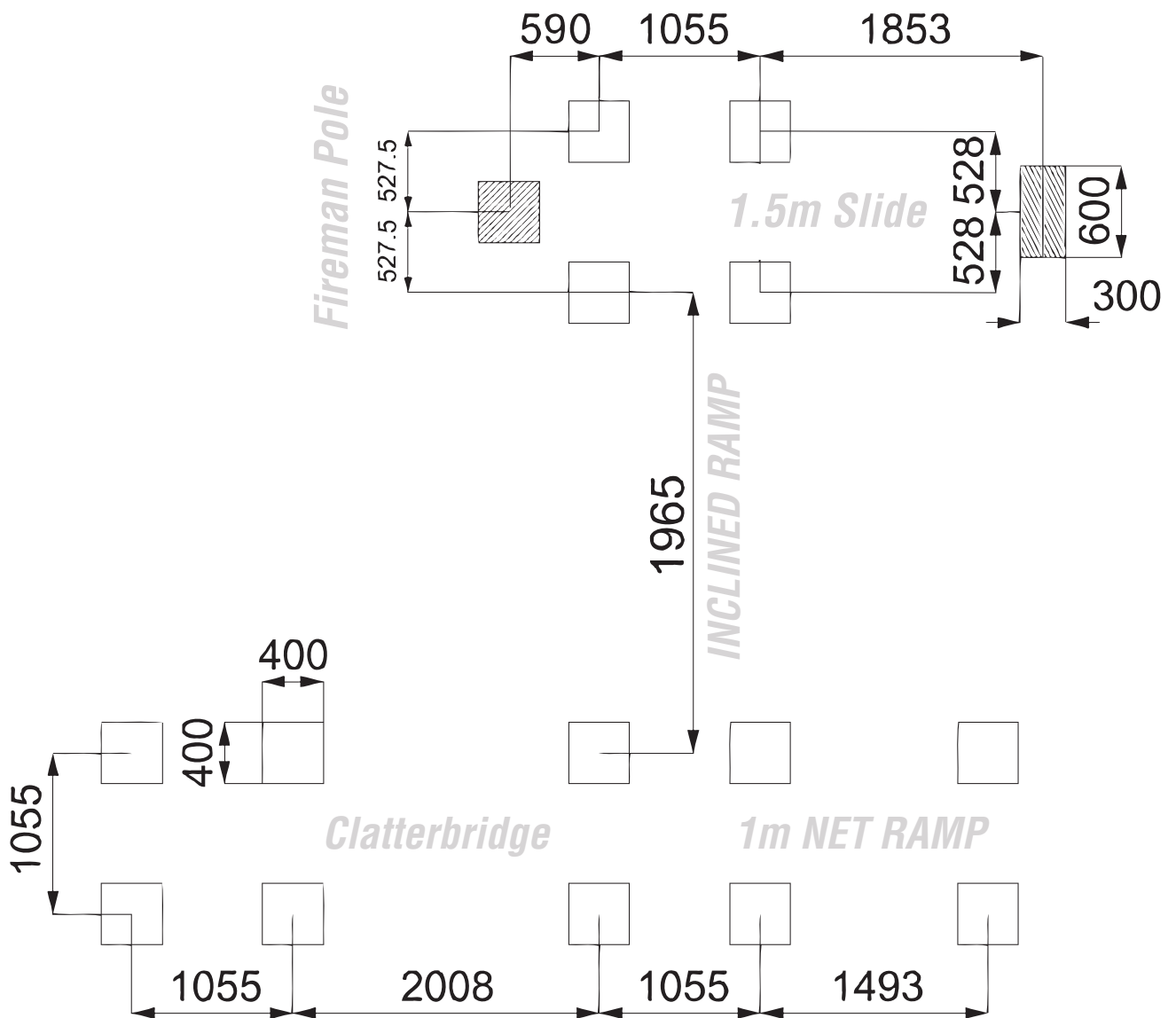
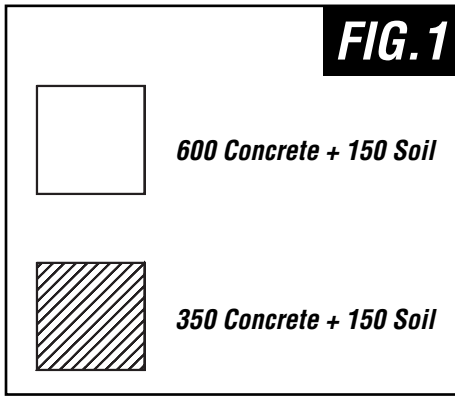
PARTS required (TIMBERS)



TOOLS required

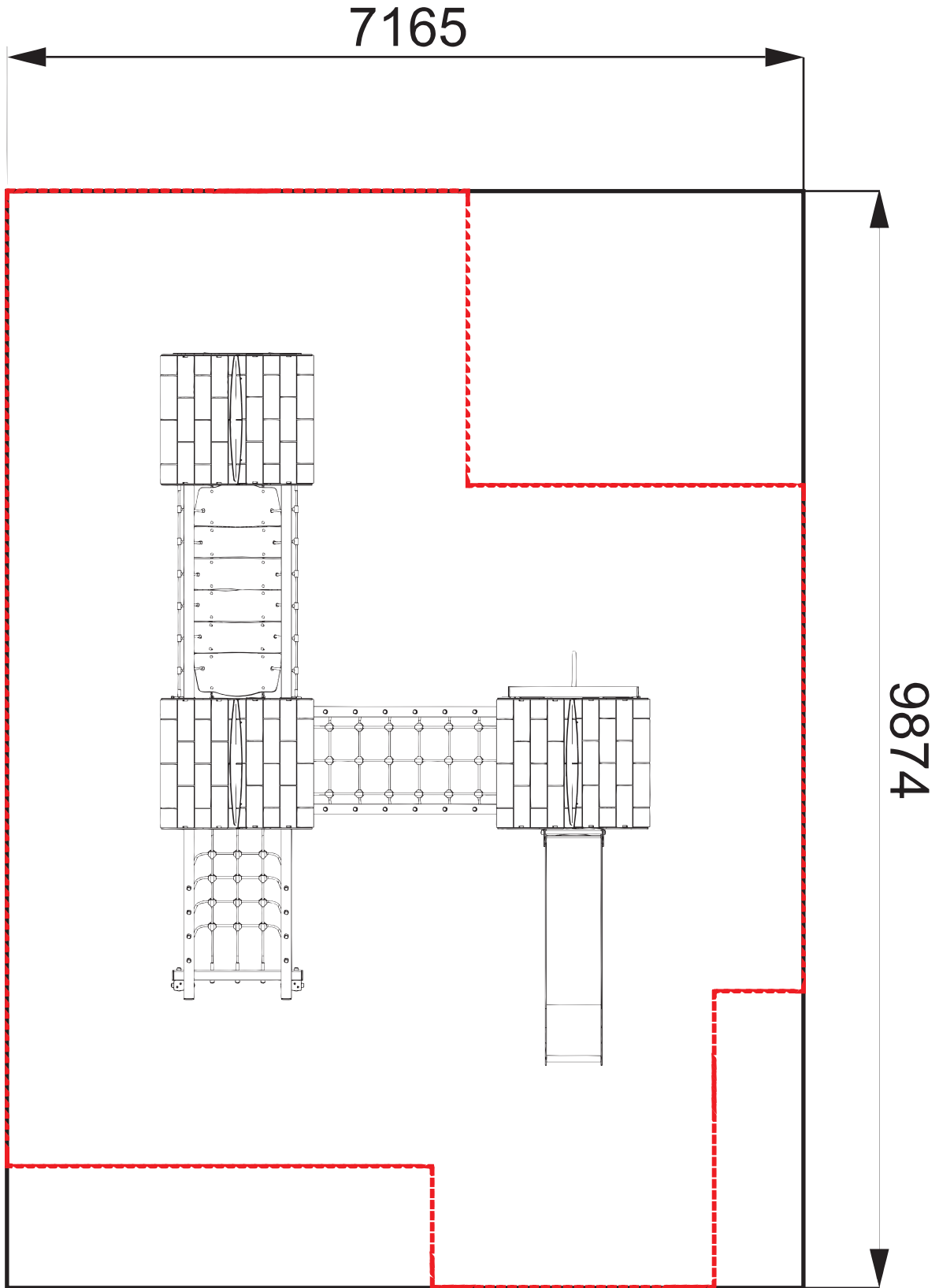


Foundation Details



Surfacing Details

- - - - - = MINIMUM SPACE
———— = SURFACE AREA

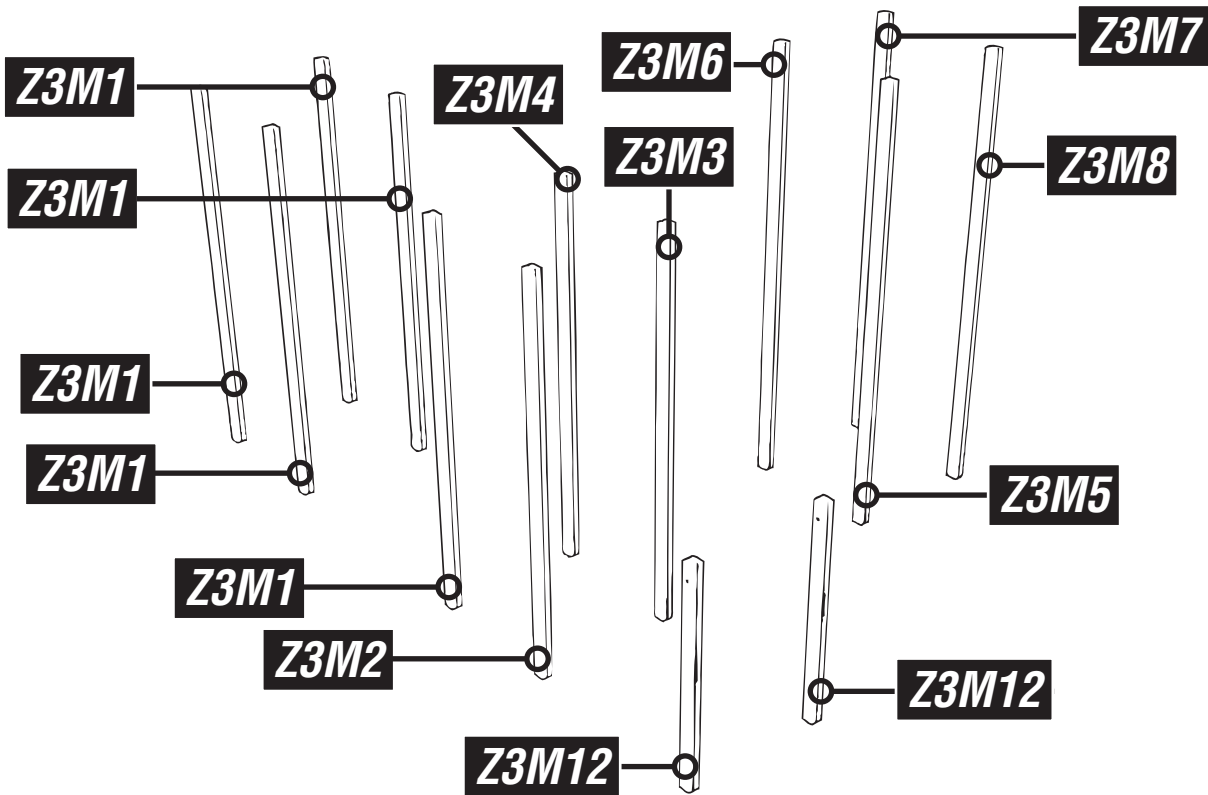


Installation Instructions

1

Install the timbers Z3M1/2/3/4/5/6/7/8

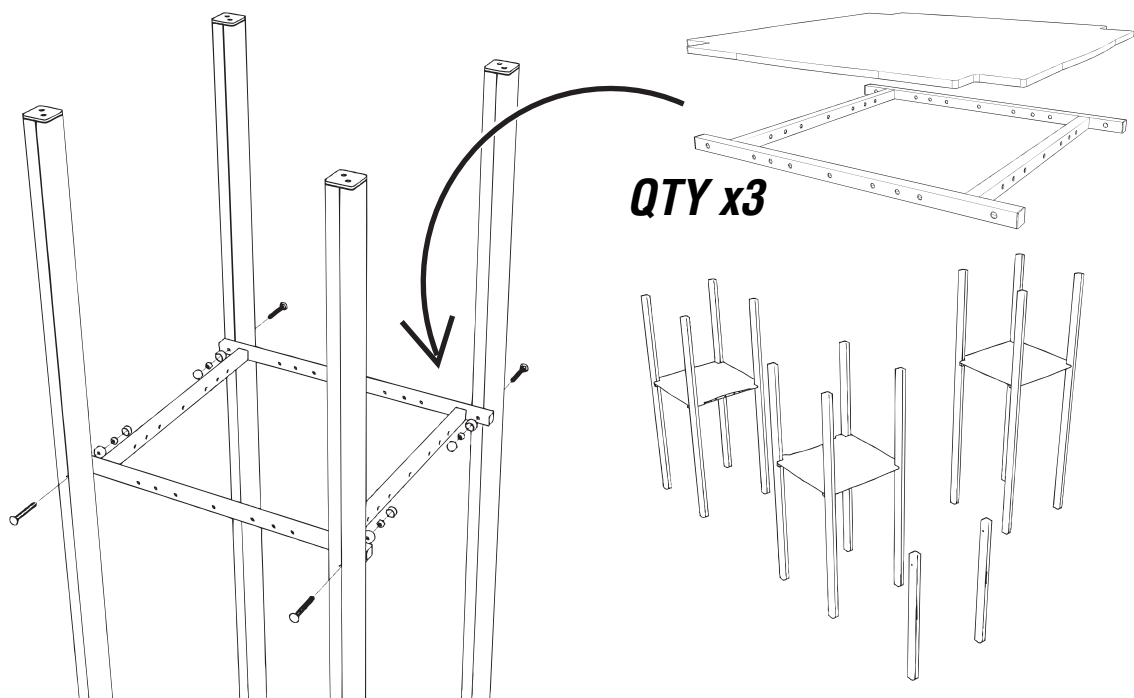
Follow foundation details



2

Attach the floor to the timbers Z3M1 - Z3M1/2/3/4 (clatter-bridge floor - Z3M5/6/7/8 and place the Hexboard on top

Using SQUARE CUP HEX BOLTS/ NYLOGS / RED CAPS

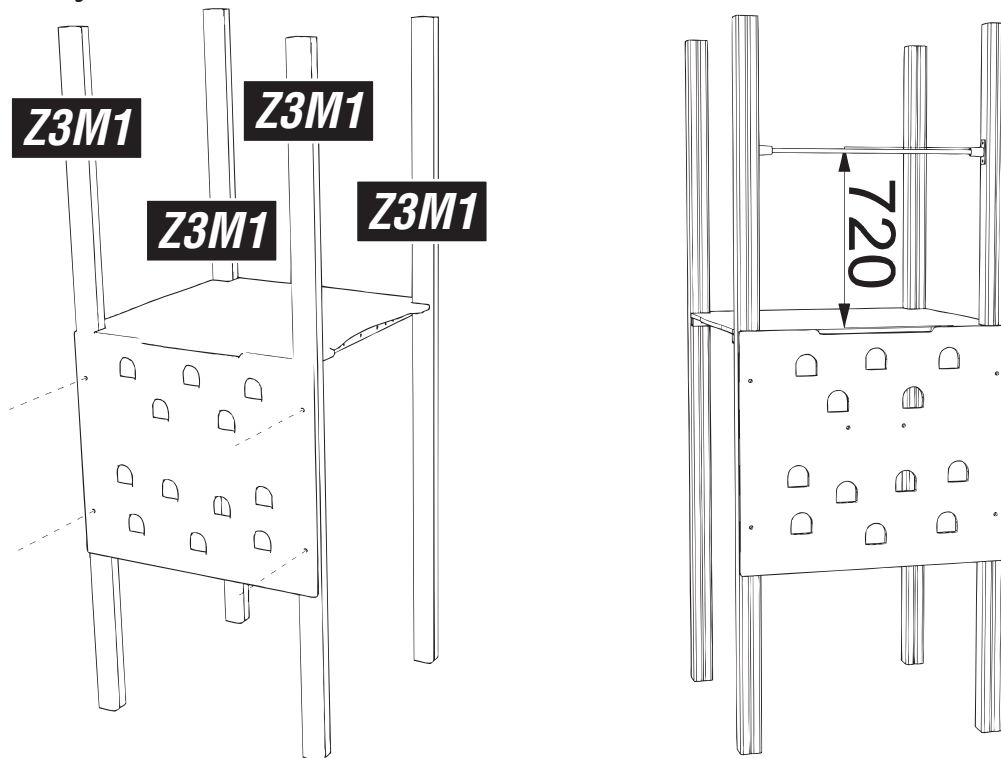


Installation Instructions

3

Attach the 1m Climbing Wall to the timbers ZML1/2

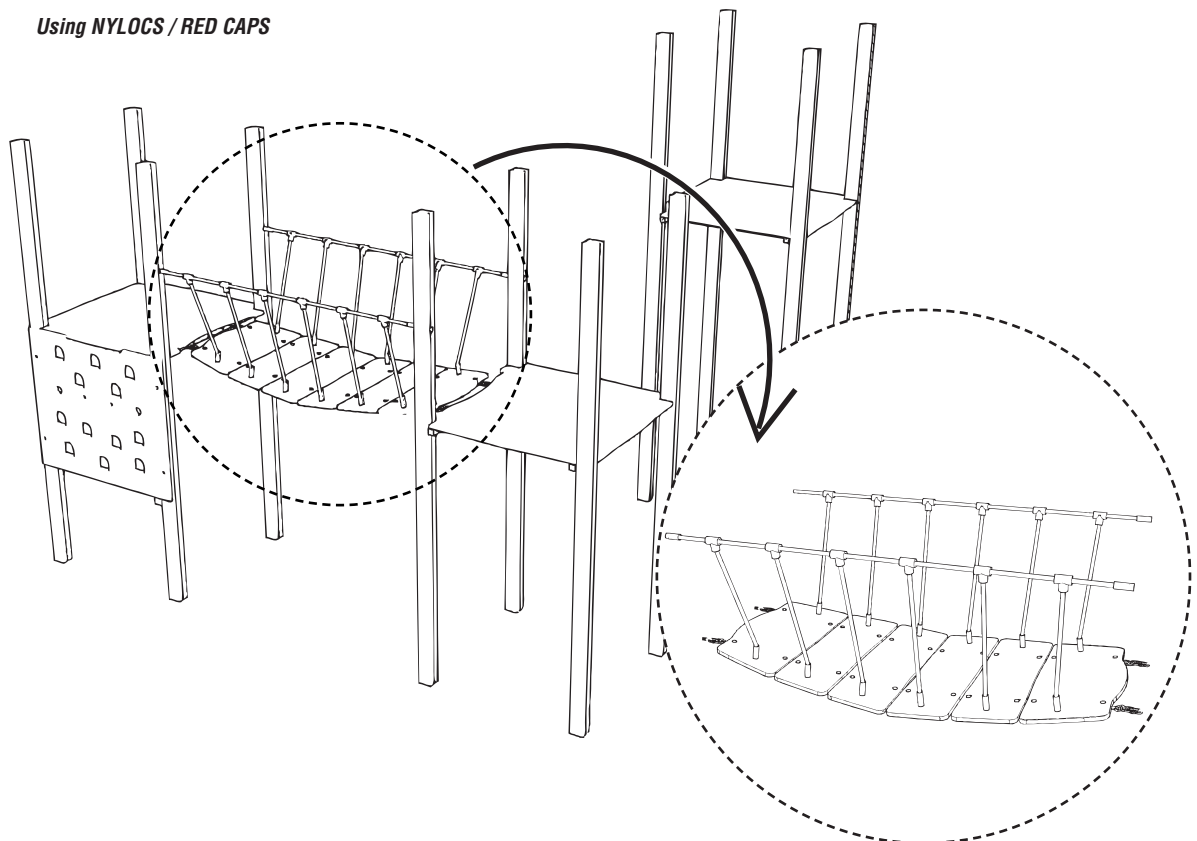
Using 'Brass Screws'



4

Attach the CLATTERBRIDGE to the timbers Z3M1 /4 and METAL FLOORS

Using NYLOCS / RED CAPS



Installation Instructions

5

Attach the **TIMBERS Z3M10**

Using 'Brass Screws'

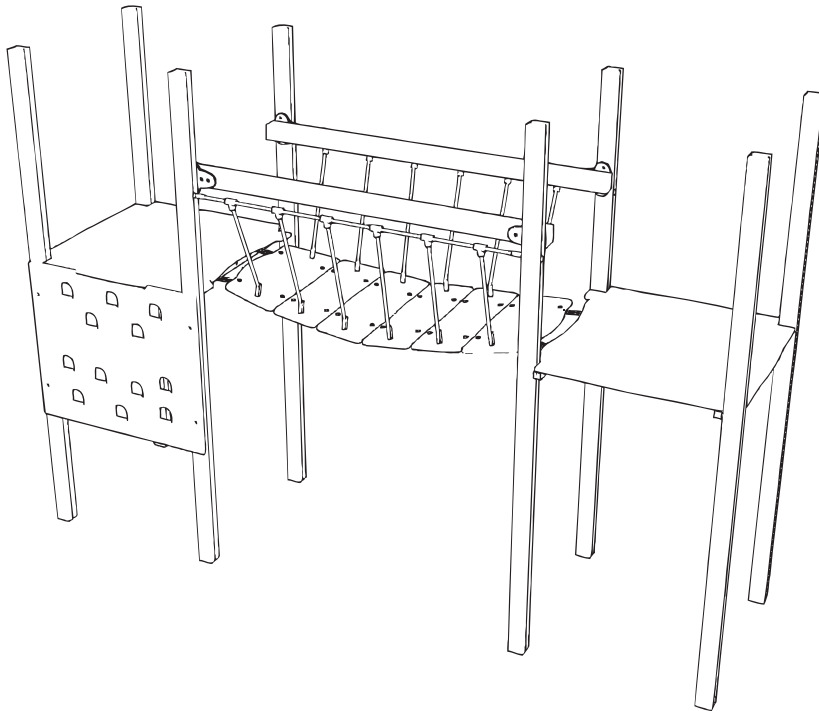
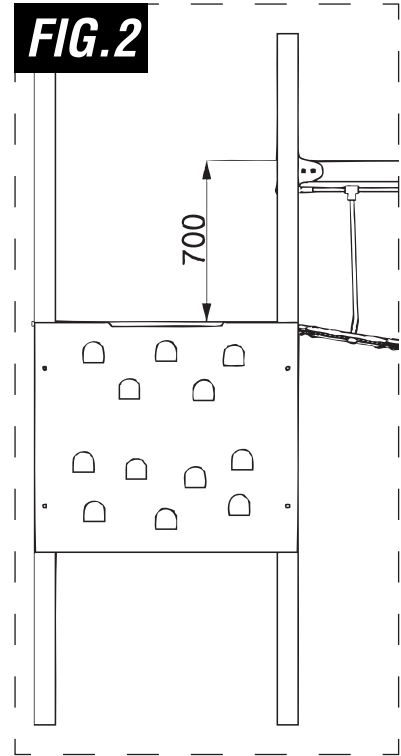


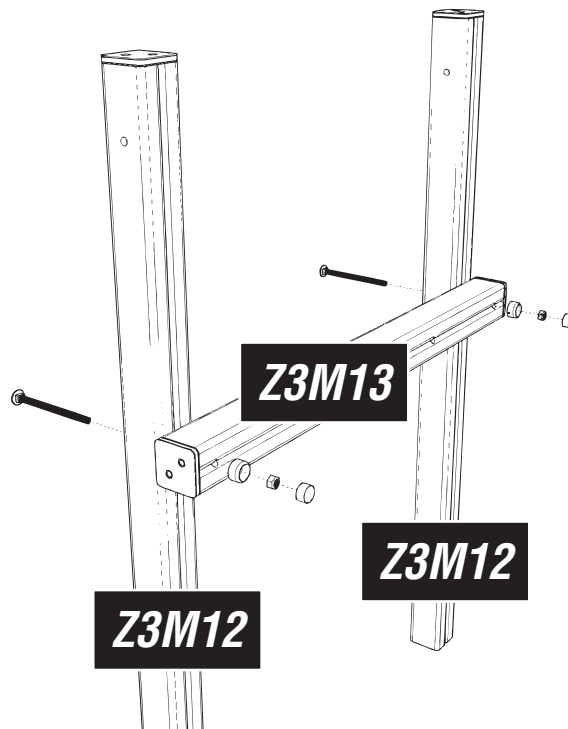
FIG.2



6

Attach the **TIMBER** to the **TIMBERS ZML6**

Using **SQUARE CUP HEX BOLTS/ NYLOCS / RED CAPS**

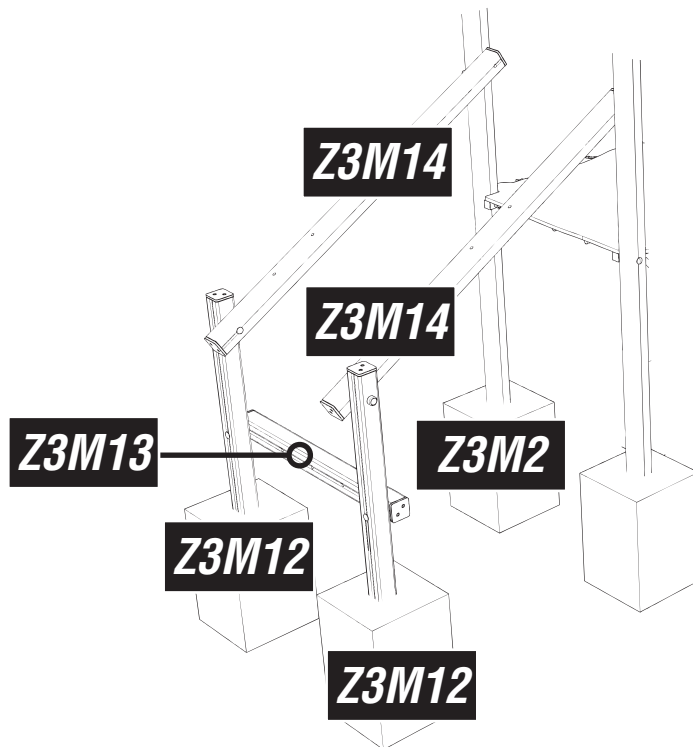


Installation Instructions

7

Attach **TIMBER Z3M14** to the **TIMBERS ZML2/3/12**

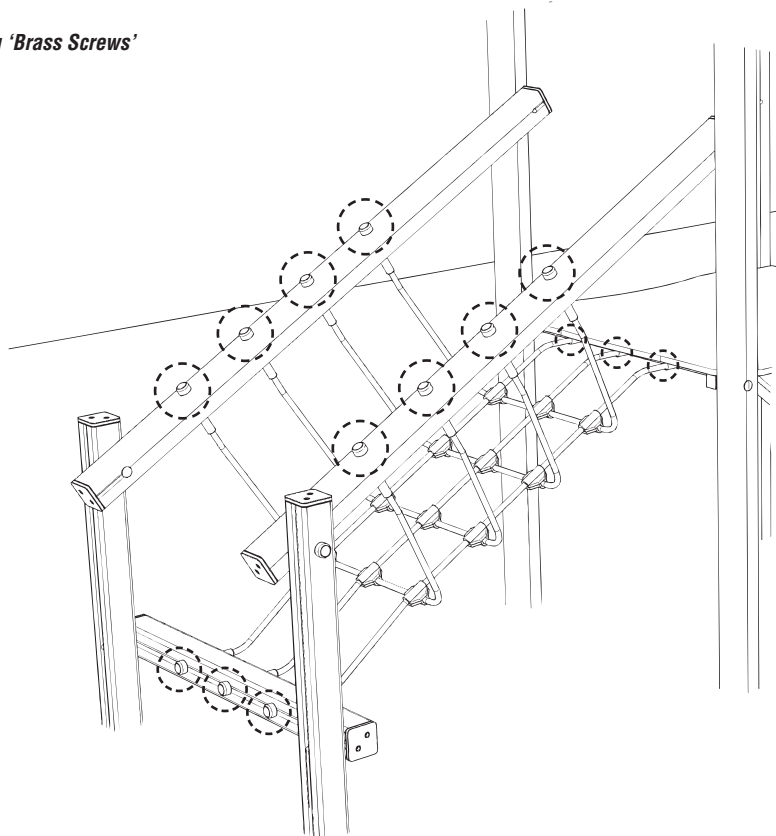
Using **SQUARE CUP HEX BOLTS / NYLOCS / RED CAPS**



8

Attach the **1m NET RAMP** to the **TIMBERS Z3M12/13/14** and **METAL FLOOR**

Using **'Brass Screws'**

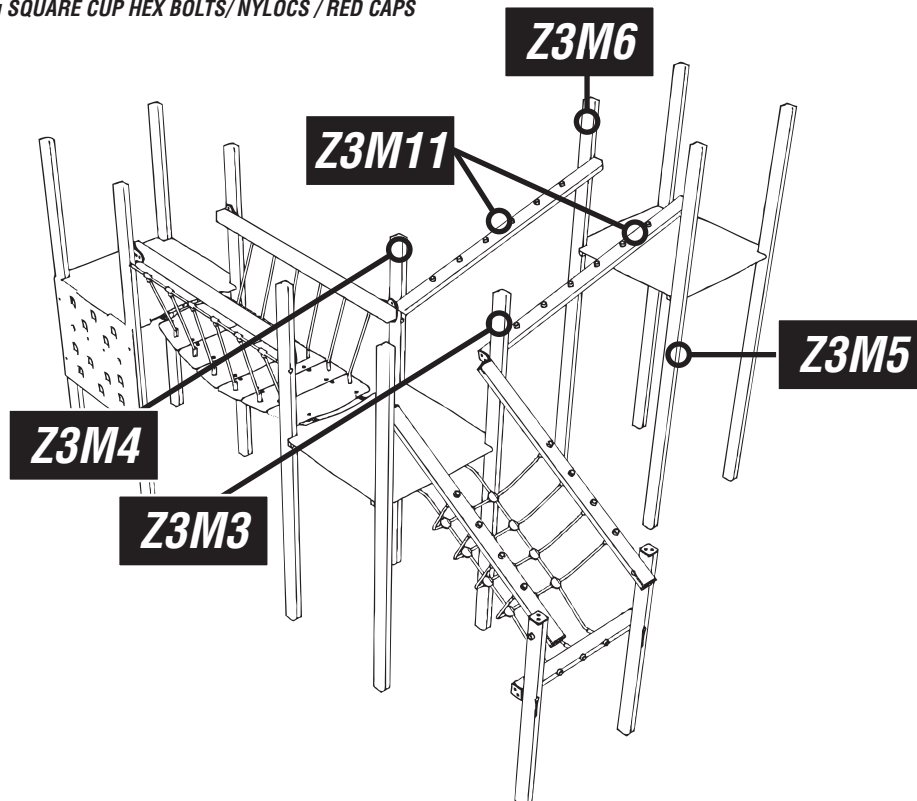


Installation Instructions

9

Attach **TIMBER Z3M11** to the **TIMBERS ZML3/4/5/6**

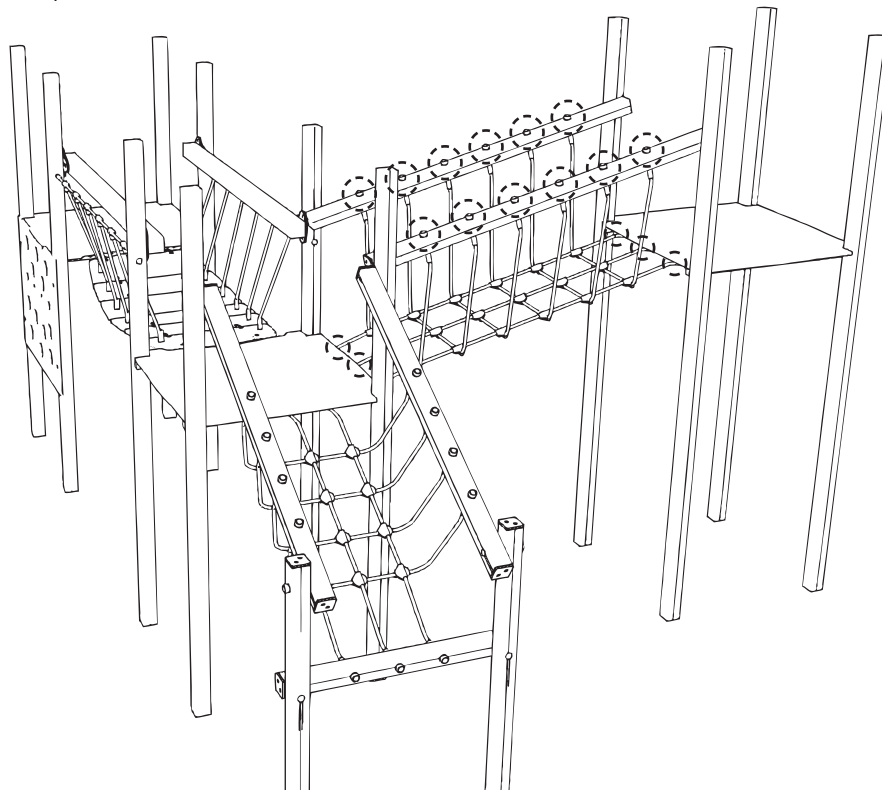
Using **SQUARE CUP HEX BOLTS / NYLOCS / RED CAPS**



10

Attach the **INCLINED NET RAMP** to the **TIMBERS Z3M11** and **METAL FLOORS**

Using **NYLOCS / RED CAPS**

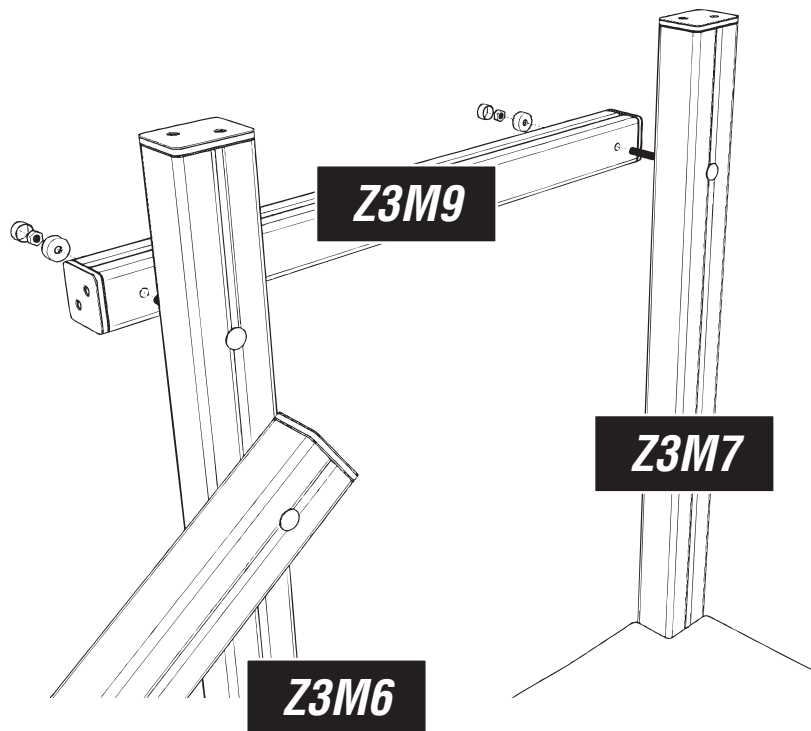


Installation Instructions

11

Attach the *TIMBER Z3M9* to the *TIMBERS Z3M6/7*

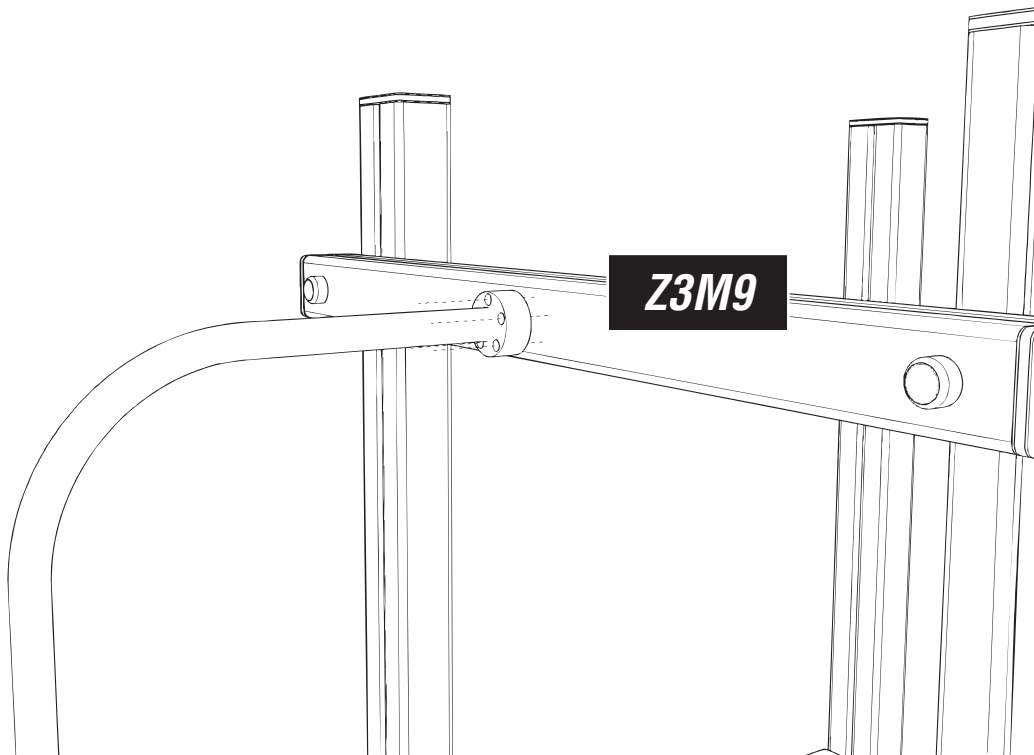
Using *SQUARE CUP HEX BOLTS/NYLOCS / RED CAPS*



12

Attach the *Fireman's Pole* to the timber *ZML5P*

Using *'Brass Screws'*

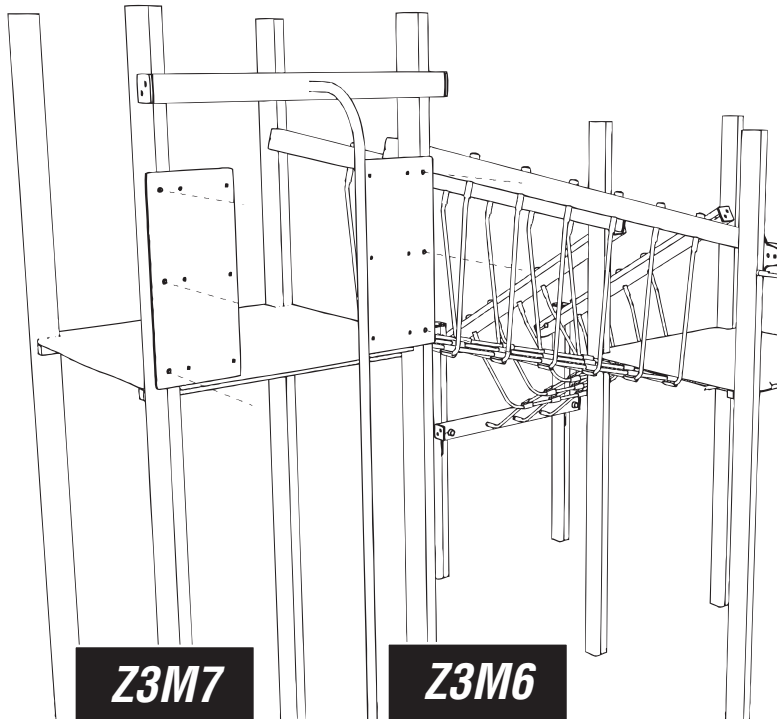


Installation Instructions

13

Attach the SIDE PANEL to the TIMBERS Z3M6/7

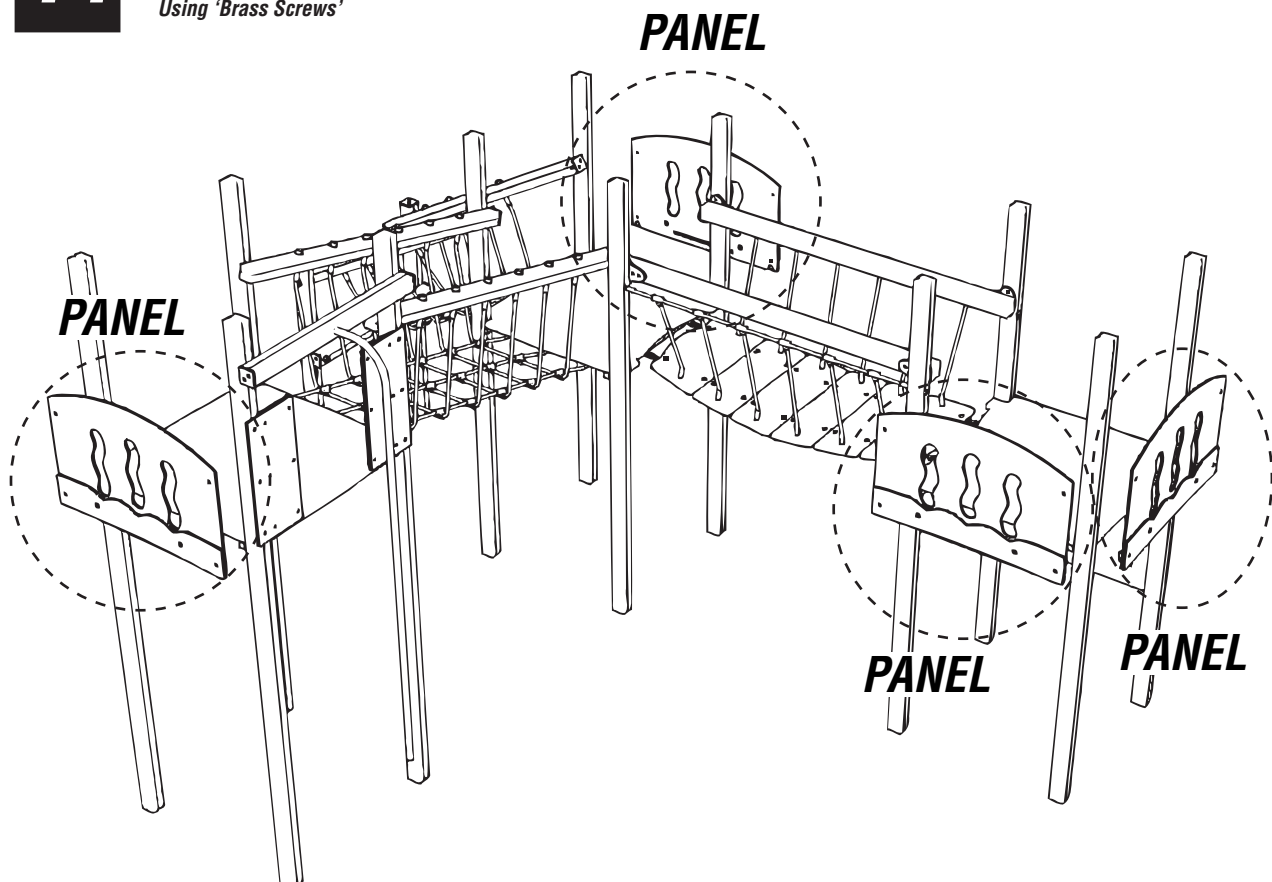
Using 'Brass Screws'



14

Attach the PANELS(x4) to the TIMERS Z3M1/2/7/8

Using 'Brass Screws'

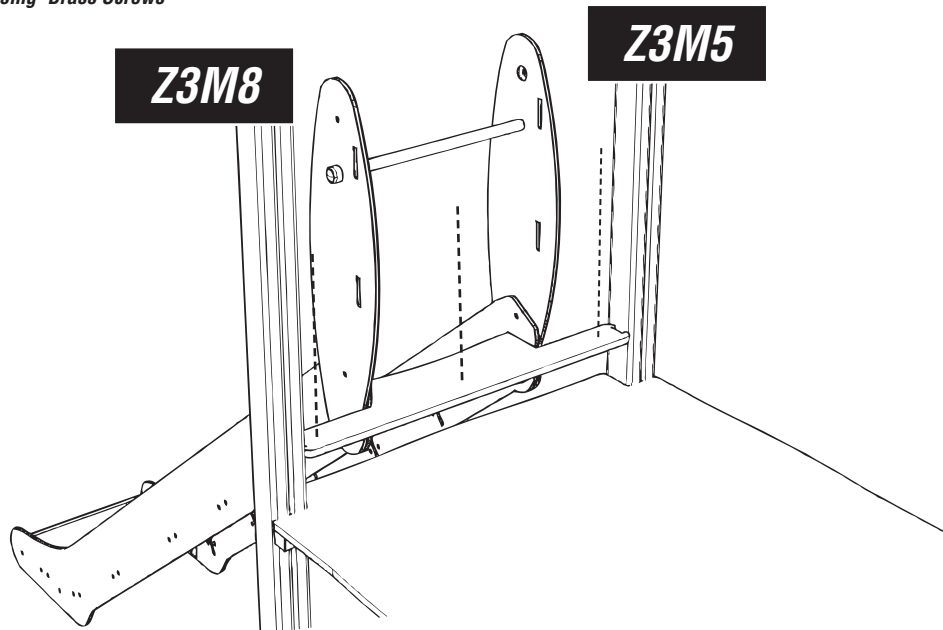


Installation Instructions

15

Attach the SLIDE to the HEXBOARD FLOOR

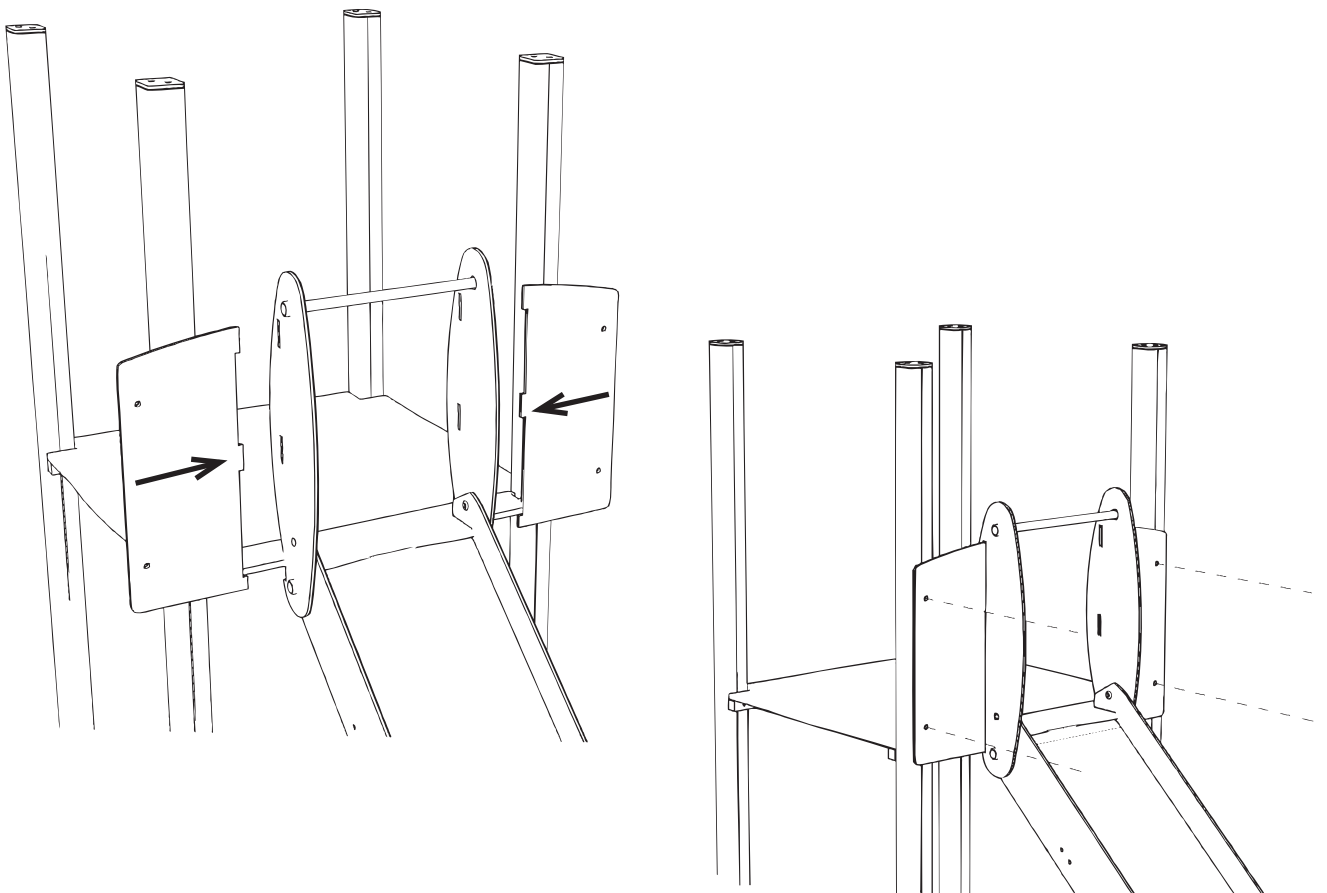
Using 'Brass Screws'



16

Insert the SLIDE SIDES to the SLIDE and to the timbers Z3M5/8

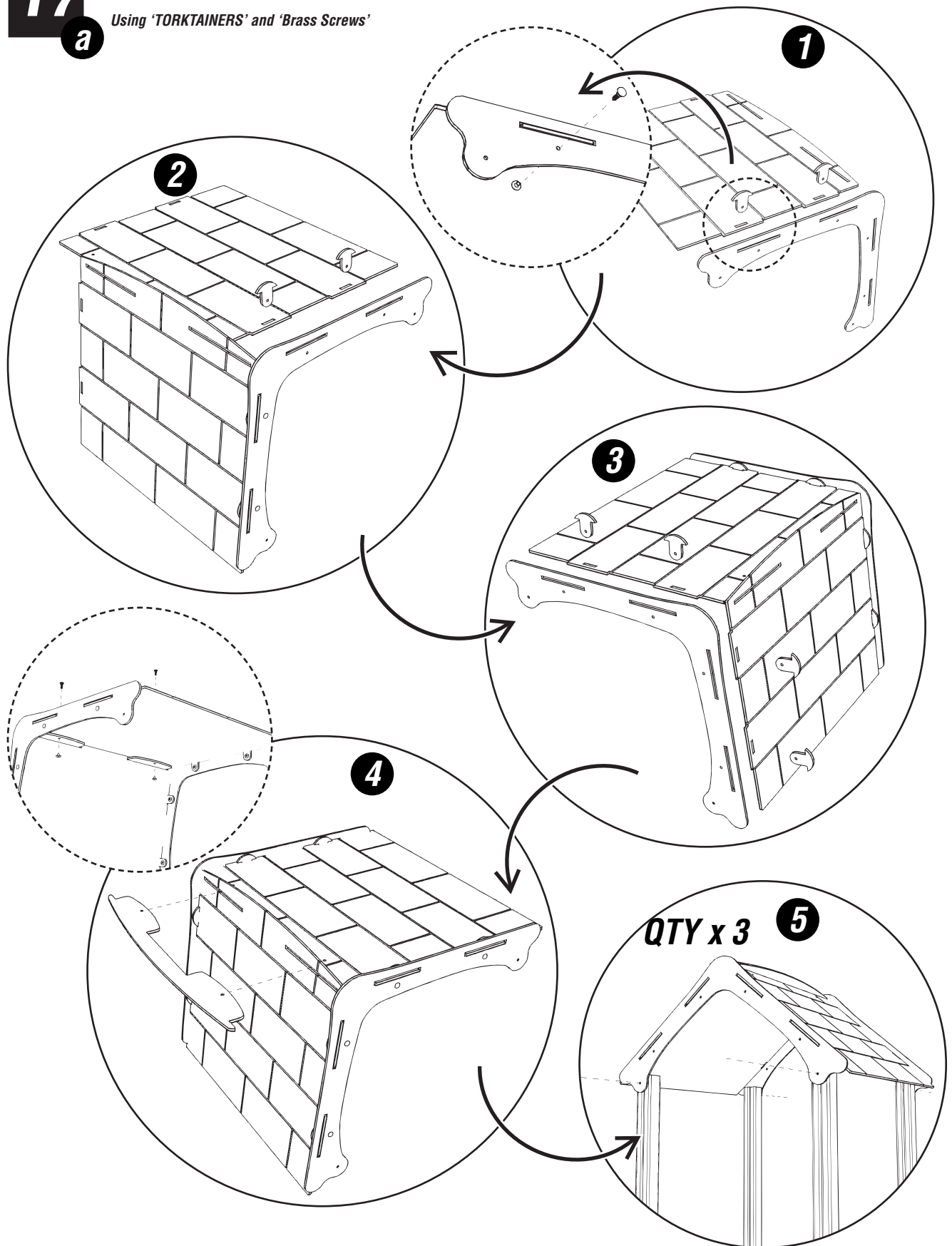
Using 'Brass Screws'



Installation Instructions

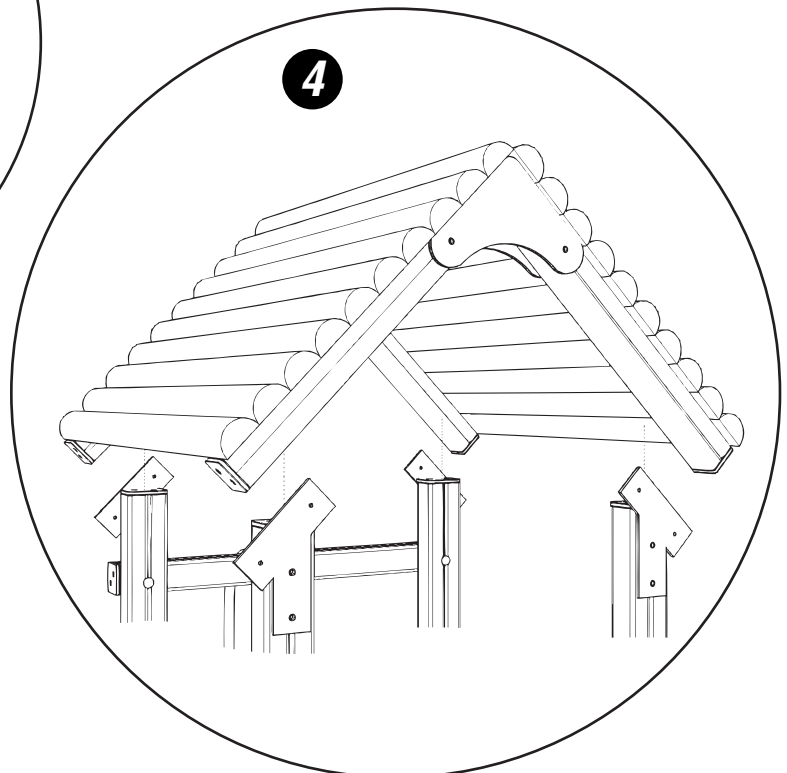
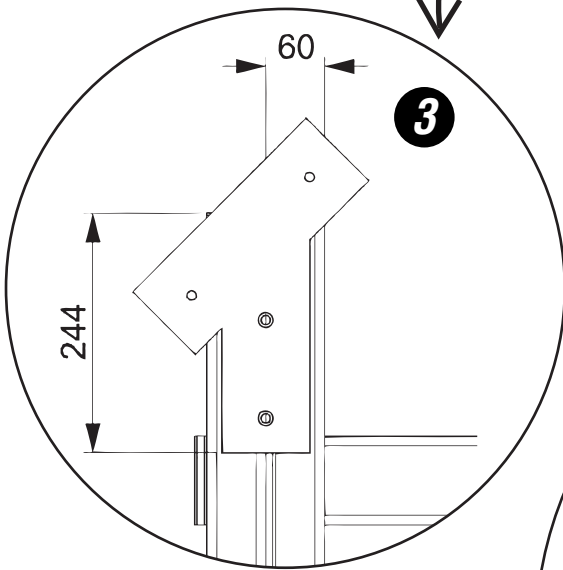
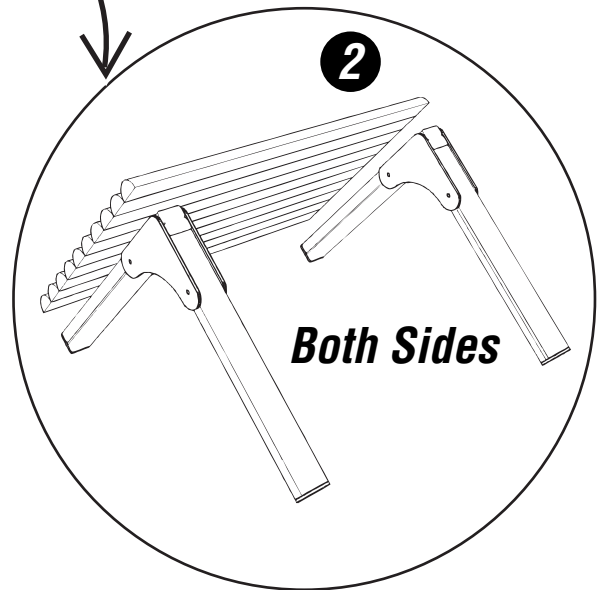
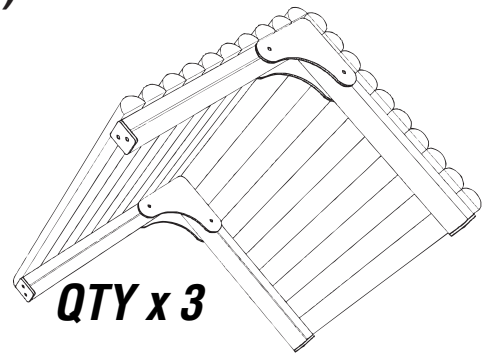
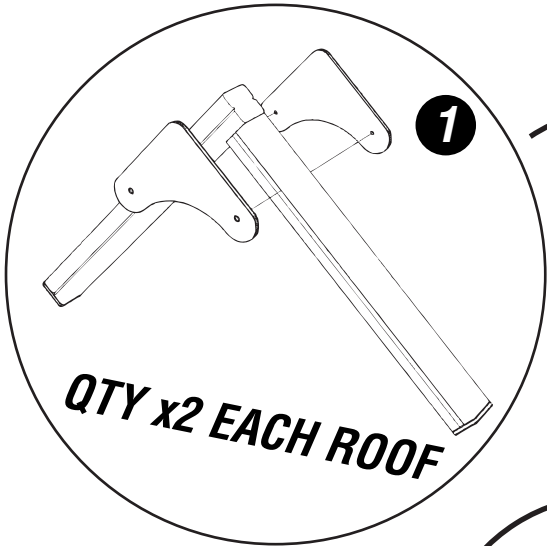
17 Attach the roof Parts (NORMAL ROOF)

a Using 'TORKTAINERS' and 'Brass Screws'



Installation Instructions

17 **b** Attach the roof Parts (RUSTIC ROOF) Using 'Brass Screws'



Additional Dimensions

