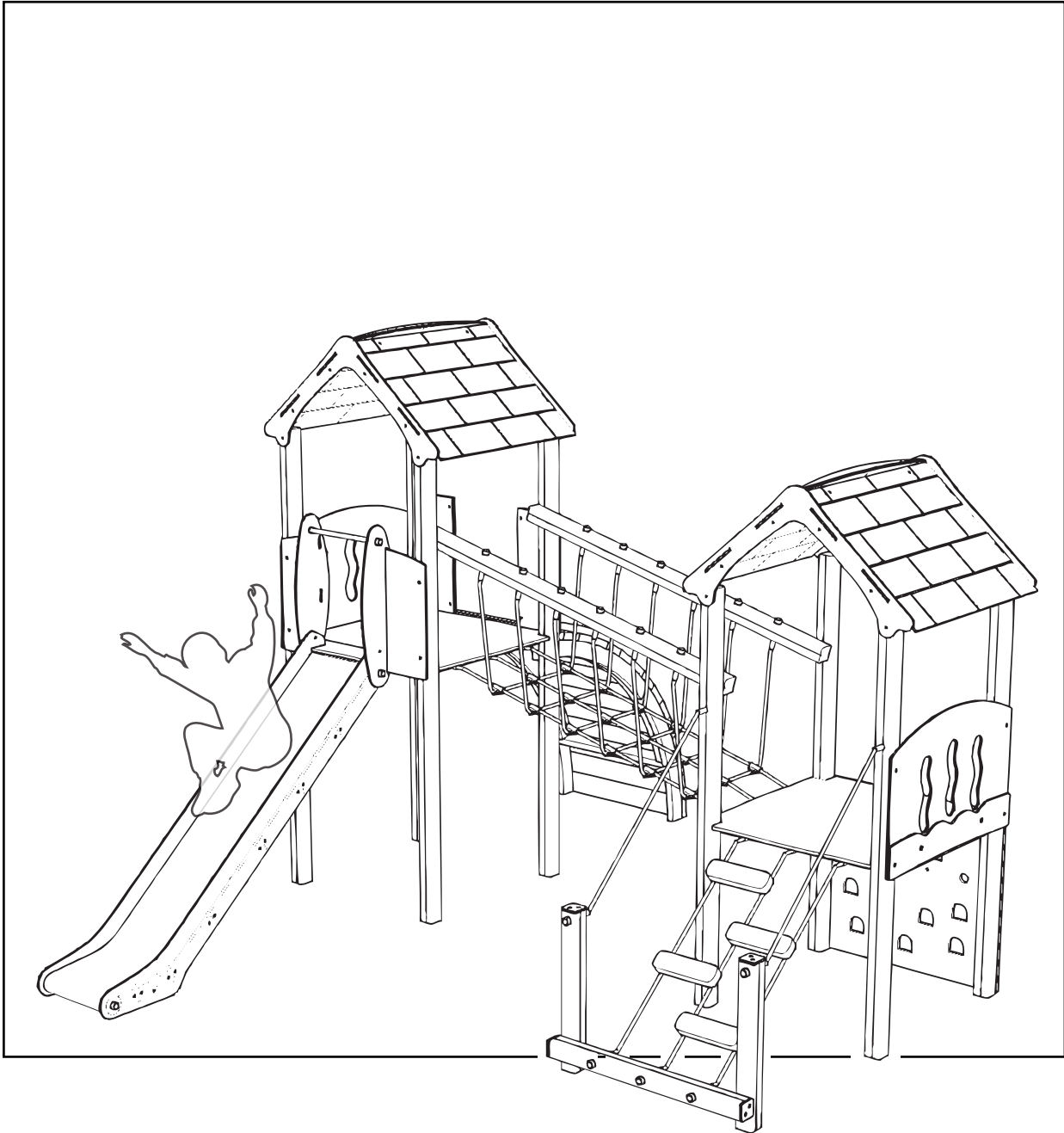


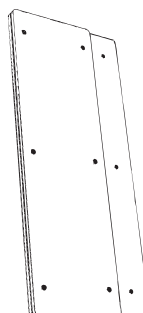
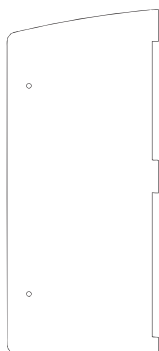
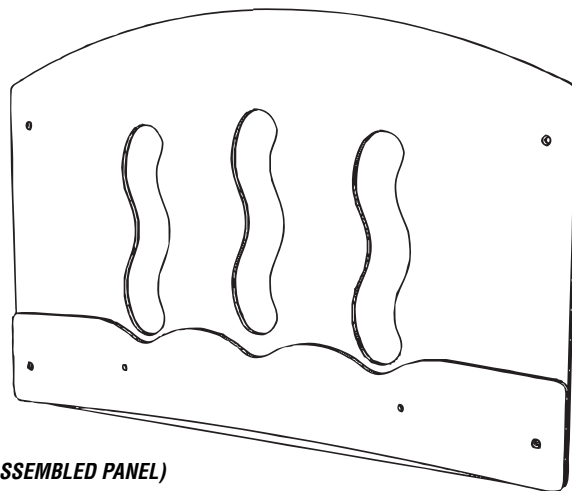
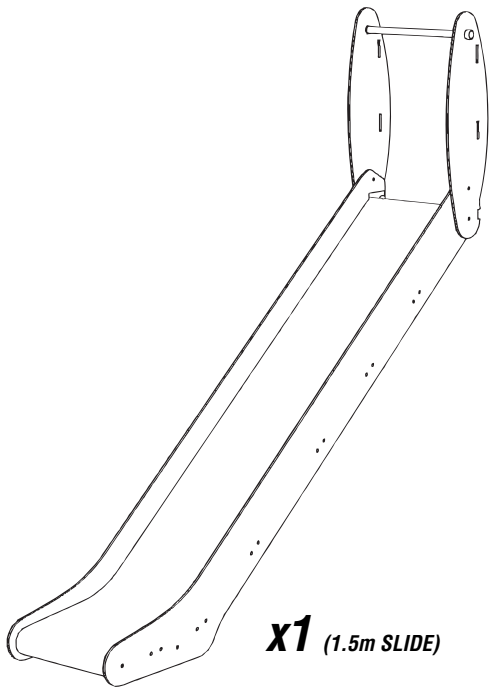
ZENITH TWO MULTI

Installation Instructions

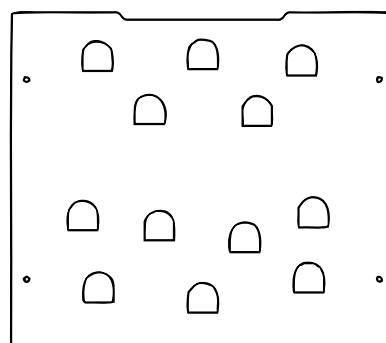
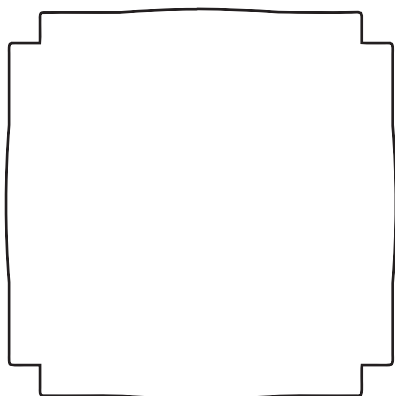
creative
play



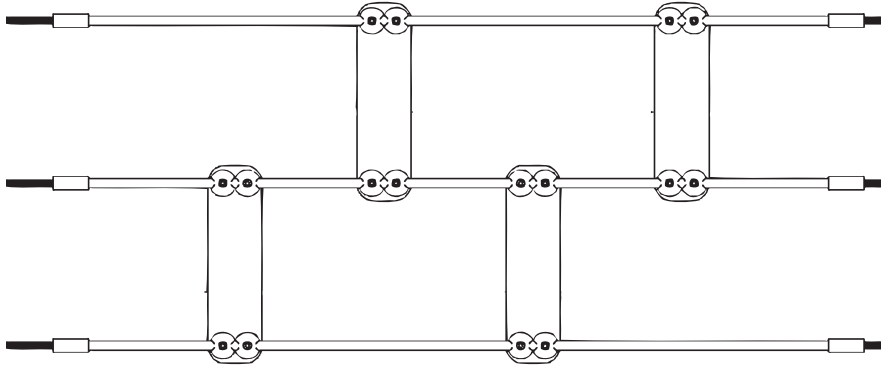
PARTS required (PLAYTEC)



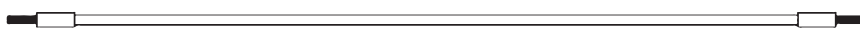
PARTS required (HEXBOARD)



PARTS required (NETS)



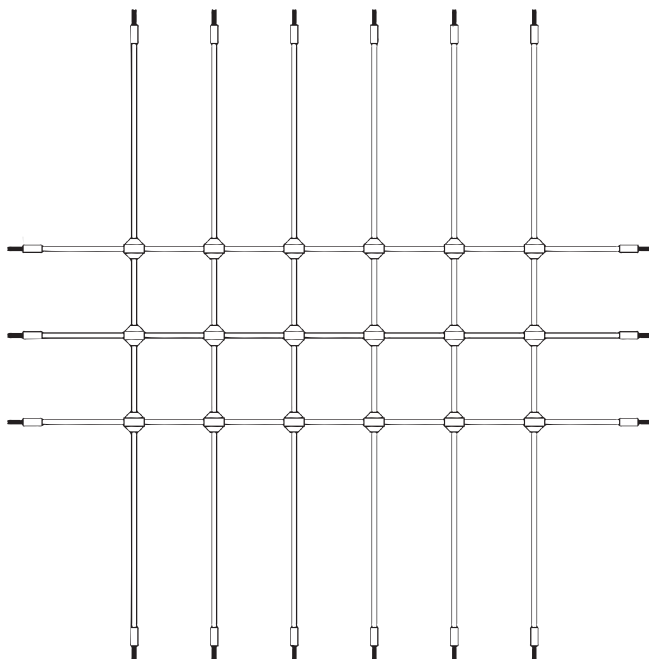
x1 (NET BLOC RAMP)



x2 (ROPE)

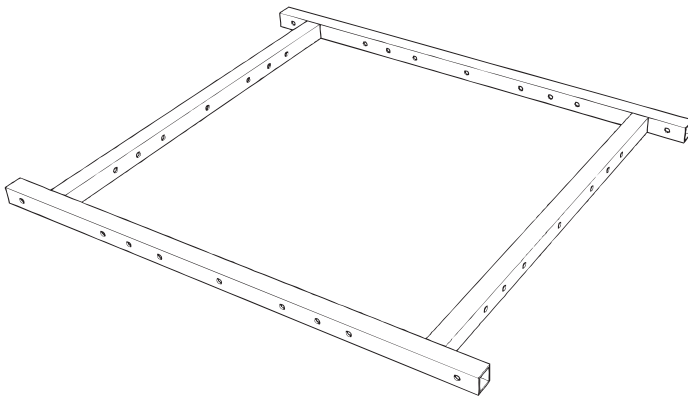


x1 (ROPE)

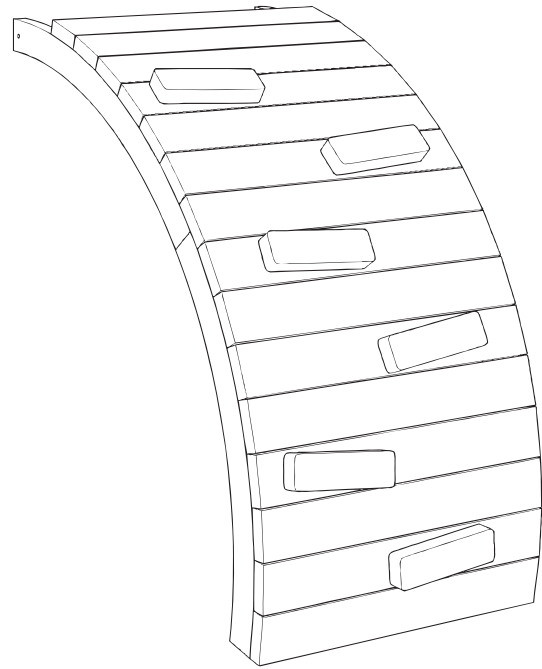


x1 (INCLINED NET RAMP)

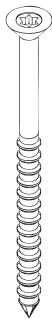
PARTS required (TIMBERS)



x2 (ZENITH TOWERS STANDARD FLOOR 90x90)



x1 (ARCH RAMP)



x3 (FM40 'Brass screws')

x22 (FM80 'Brass screws')



x10 (M12 x 160 SQUARE CUP HEX BOLTS)

x6 (M12 x 200 SQUARE CUP HEX BOLTS)




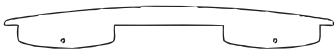
x36 (M12 'NYLOC')



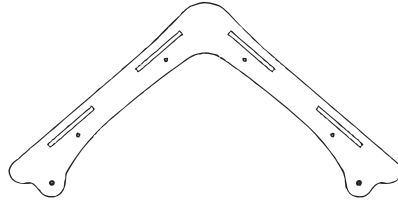
x36 (End Caps)

PARTS required (STANDARD ROOF)

 **x16** (ROOF CLIPS)



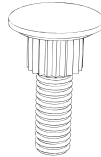
x2 (TOP ROOF CLIP)



x4 (SIDE ROOF)



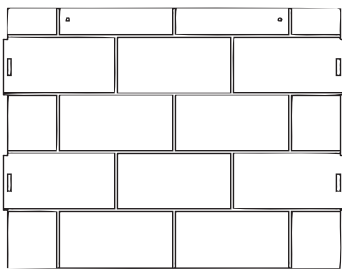
x20 (N1 - TORKTAINER)



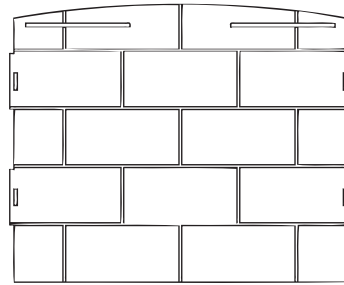
x20 (3B- TORKTAINER)



x8 (FM80 ' Brass screws')

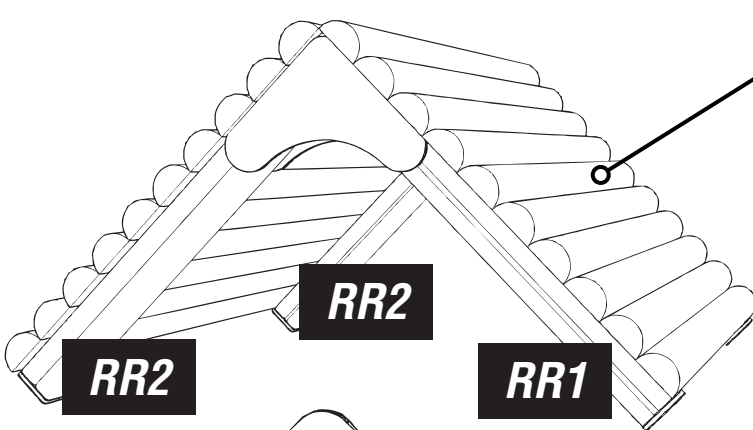


x2 (FRONT ROOF)



x2 (BACK ROOF)

PARTS required (RUSTIC ROOF)



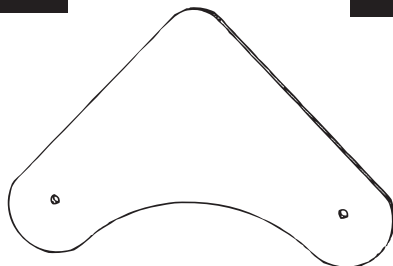
RR3 **x40** (HALF ROUND TIMBERS)

RR2 **x4**

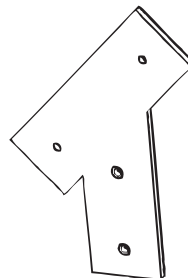
RR1 **x4**



x128 (FM80 ' Brass screws')



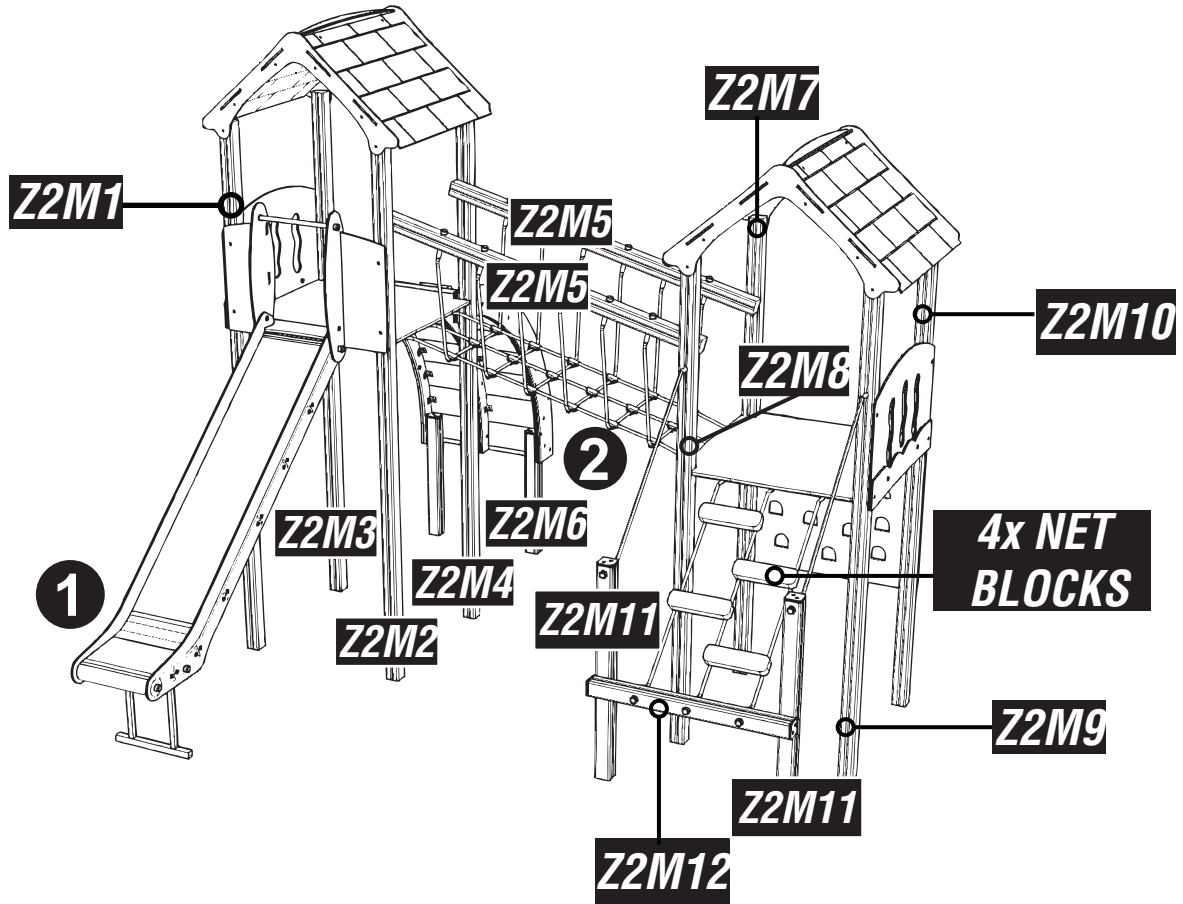
x8 (TOP RUSTIC ROOF)



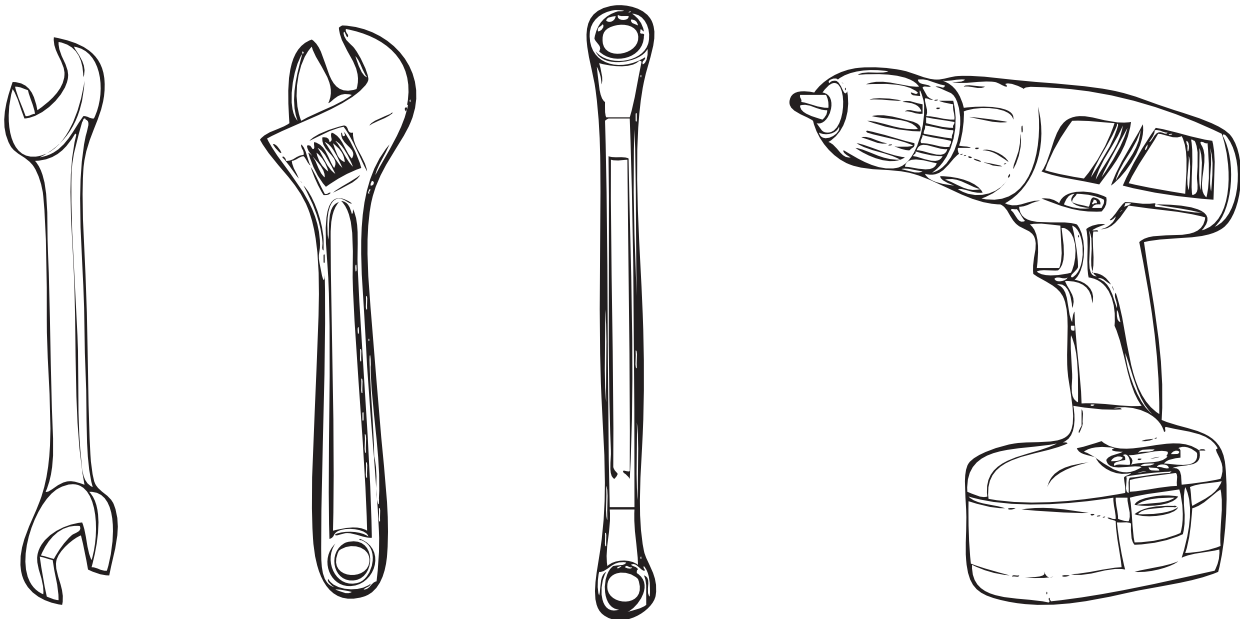
x4 LEFT (SIDES RUSTIC ROOF)

x4 RIGHT (SIDES RUSTIC ROOF)

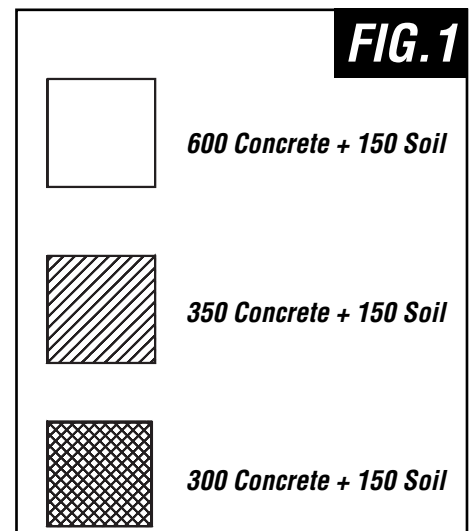
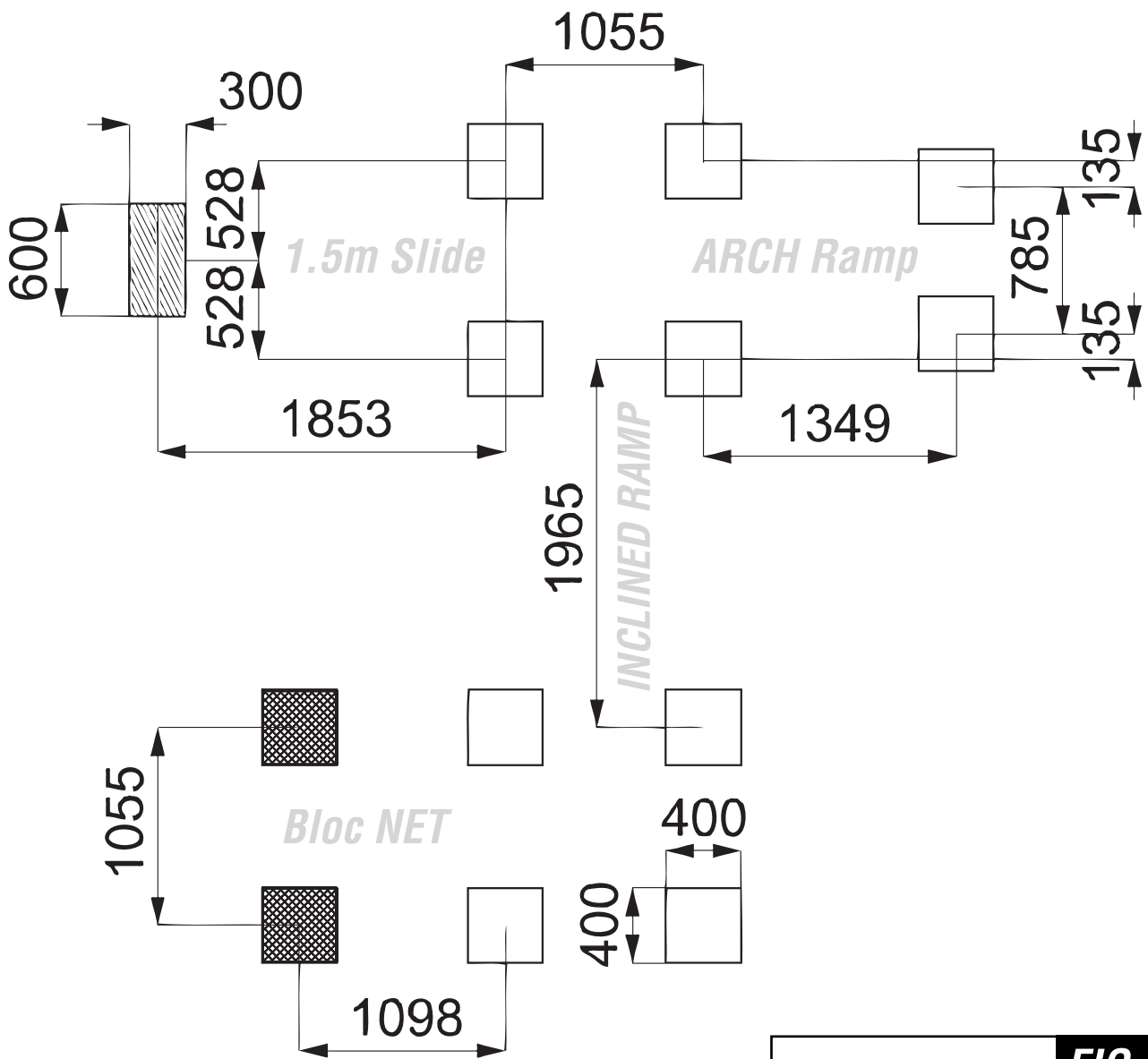
PARTS required (TIMBERS)



TOOLS required

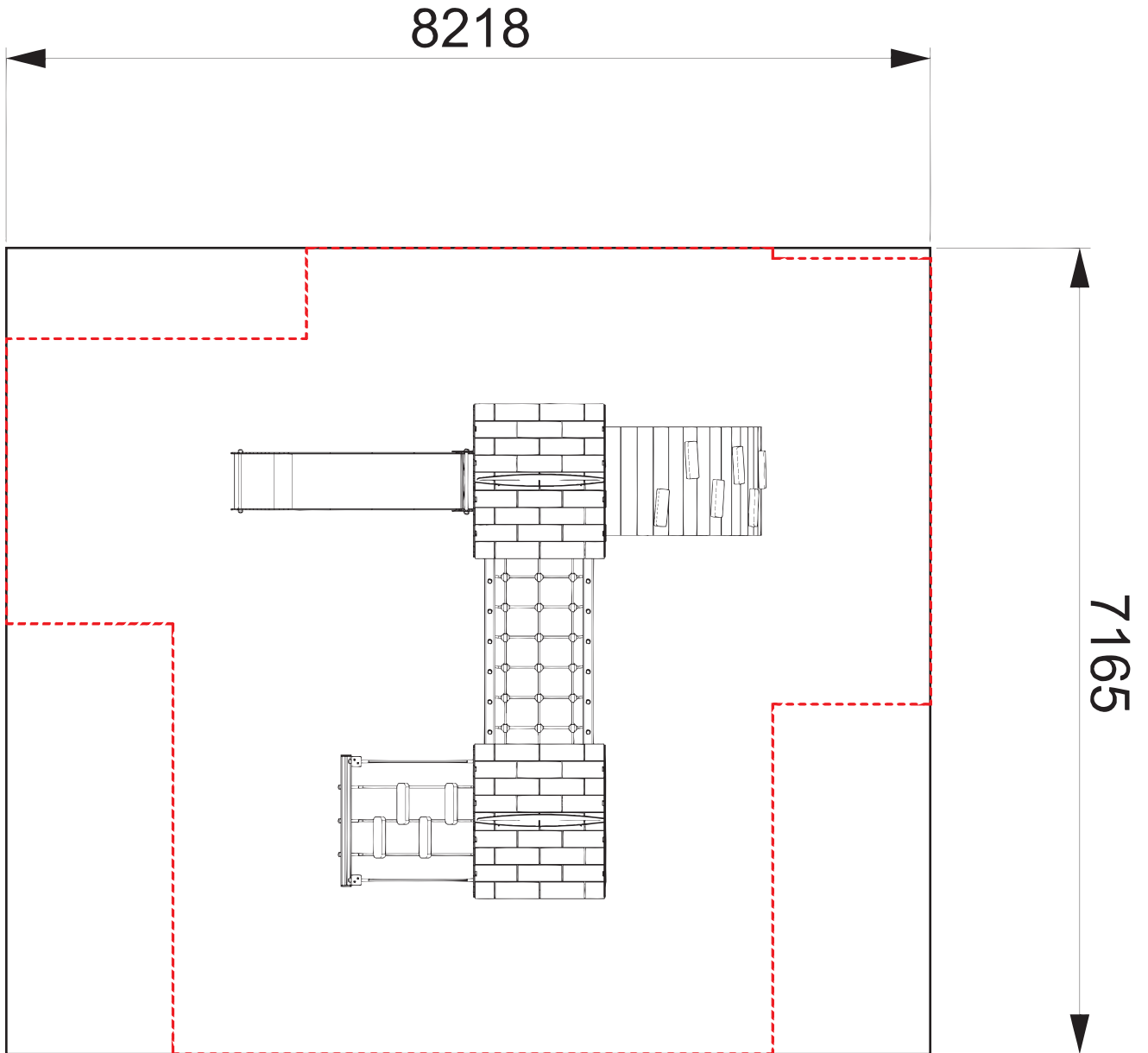


Foundation Details



Surfacing Details

- - - - = **MINIMUM SPACE**
- = **SURFACE AREA**

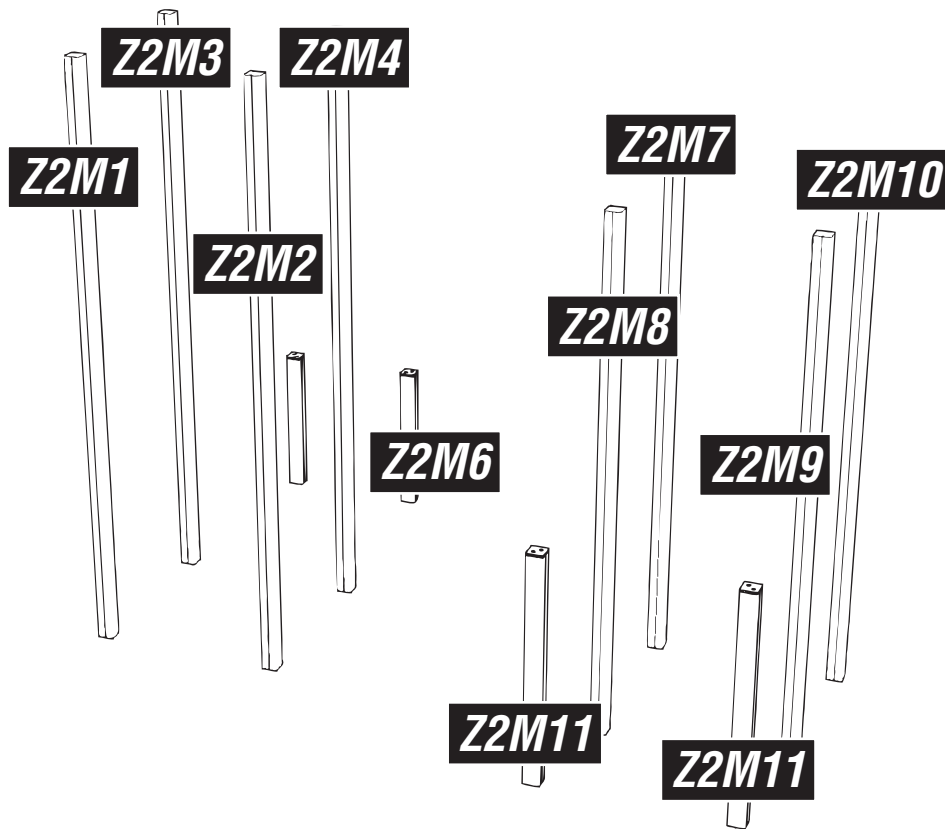


Installation Instructions

1

Install the timbers Z3M1/2/3/4/5/6/7/8

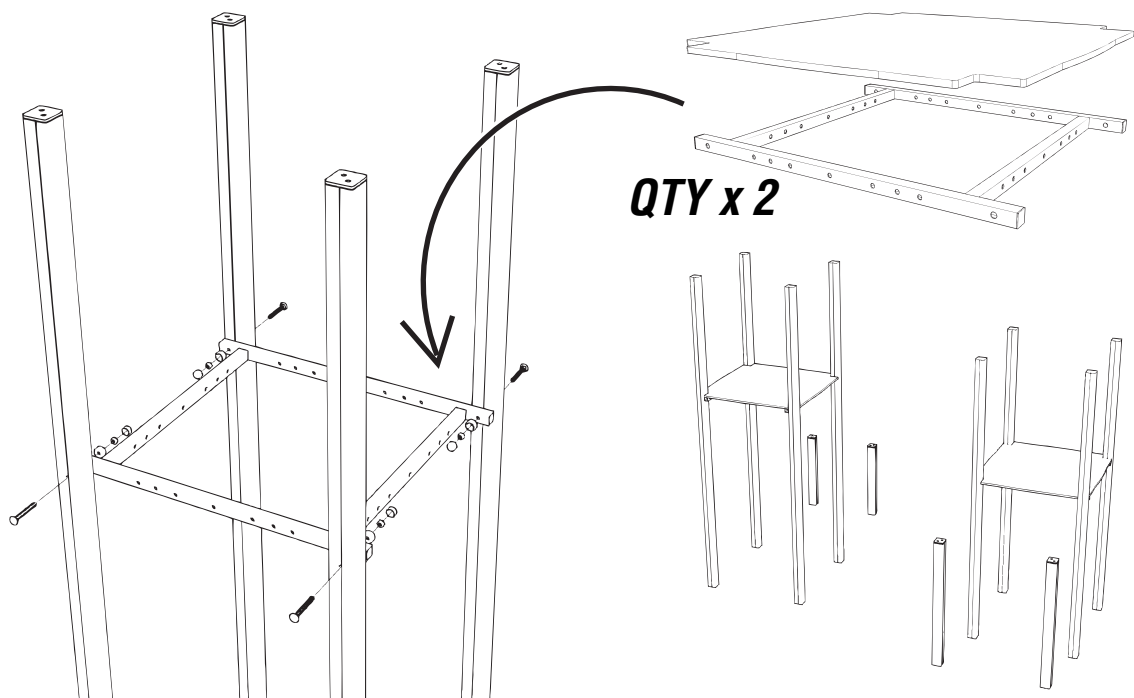
Follow foundation details



2

Attach the floor to the timbers Z3M1 - Z3M1/2/3/4 (clatter-bridge floor - Z3M5/6/7/8) and place the Hexboard on top

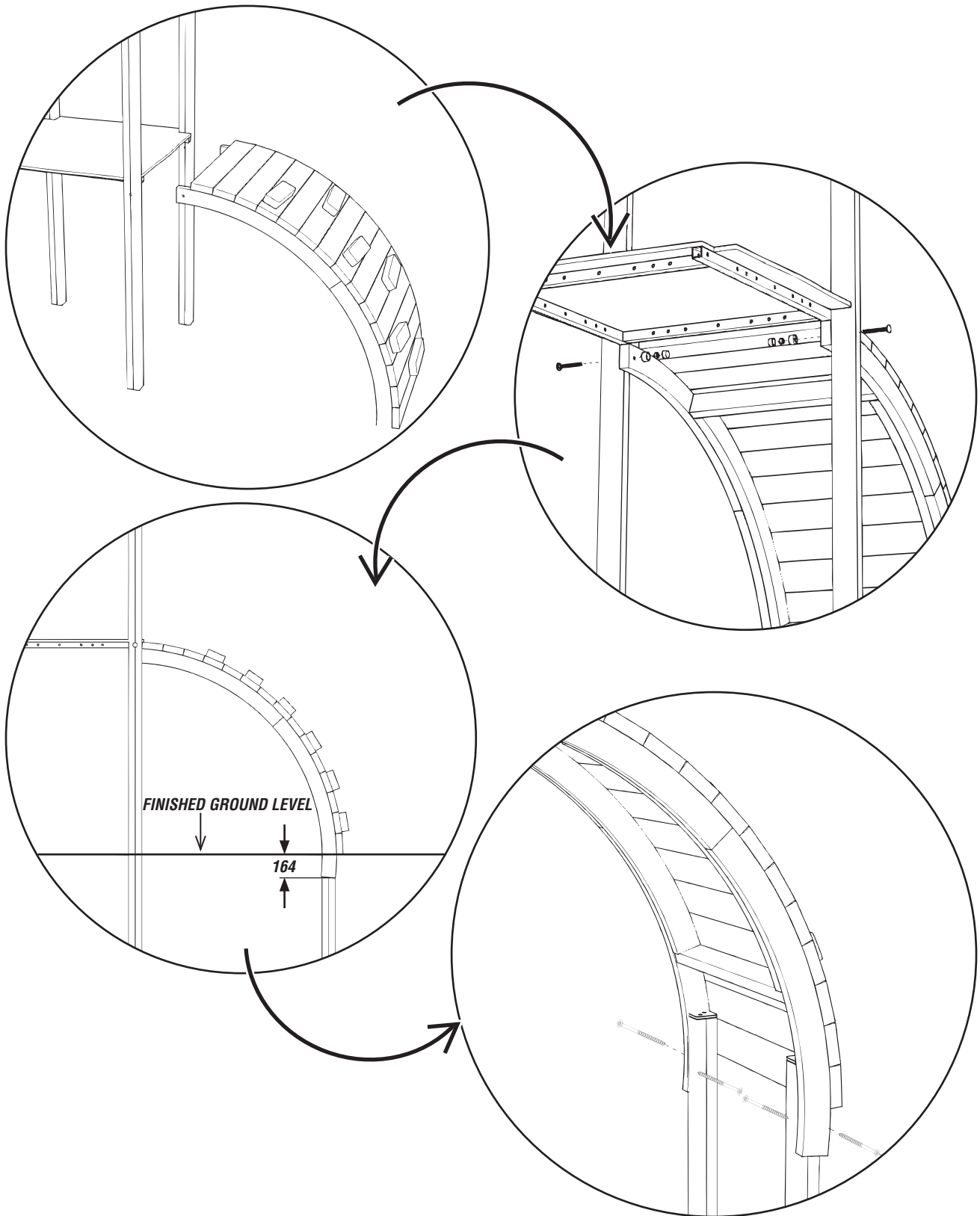
Using SQUARE CUP HEX BOLTS/ NYLOGS / RED CAPS



Installation Instructions

3

Attach the ARCH RAMP to the TIMBERS ZMA3/4 Using SQUARE CUP HEX BOLTS/NUTS / RED CAPS and 'Brass Screws'

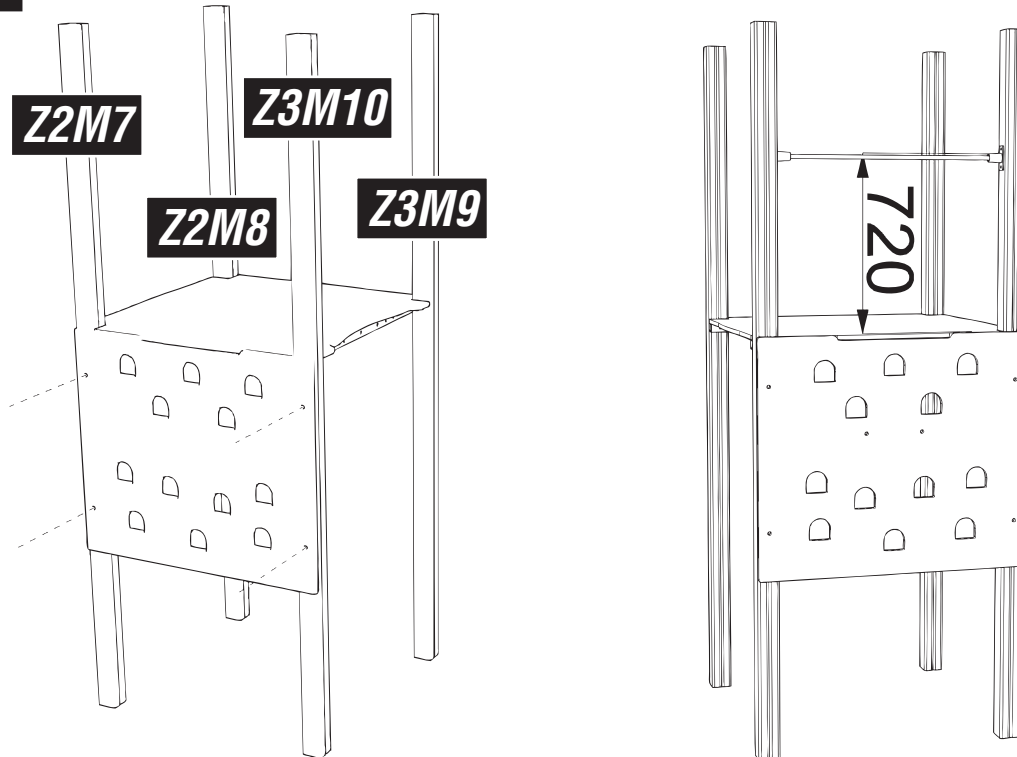


Installation Instructions

4

Attach the 1m Climbing Wall & Ropeto the timbers ZML1/2

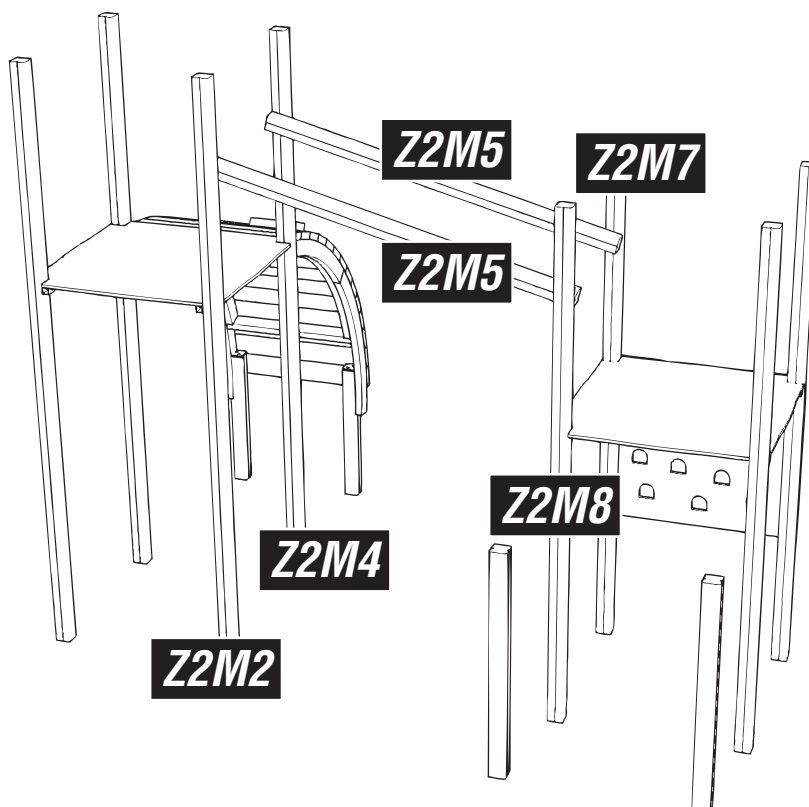
Using 'Brass Screws'



5

Attach TIMBERS Z2M5 to the TIMBERS ZML2/4/7/8

Using SQUARE CUP HEX BOLTS / NYLOCS / RED CAPS

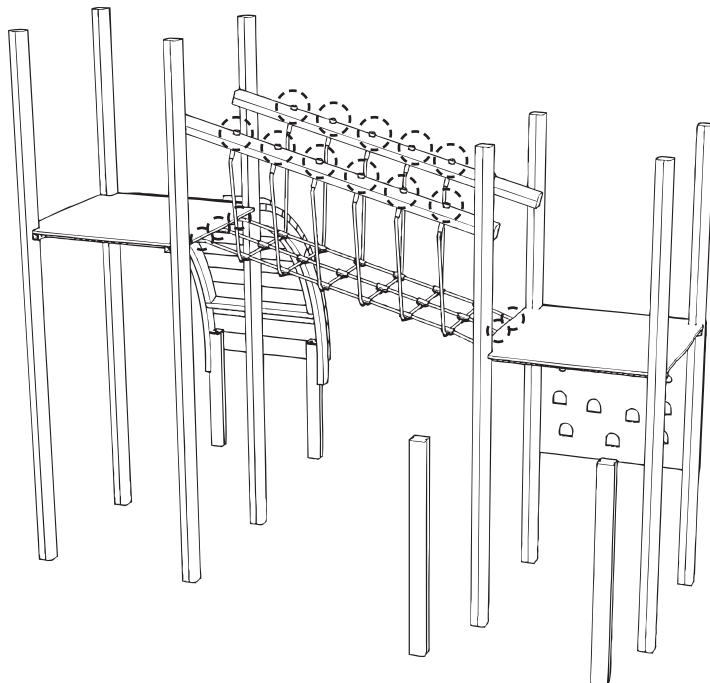


Installation Instructions

6

Attach the INCLINED NET RAMP to the TIMBERS Z2M5 and METAL FLOORS

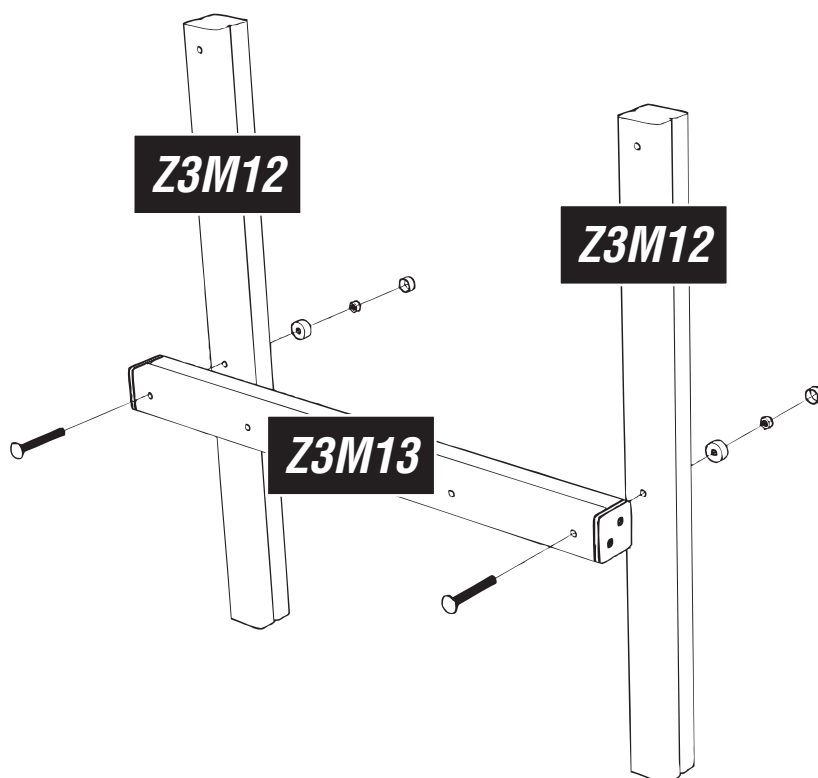
Using NYLOCS / RED CAPS



7

Attach the TIMBER Z2M11 to the TIMBERS ZML8/9

Using SQUARE CUP HEX BOLTS/ NYLOCS / RED CAPS

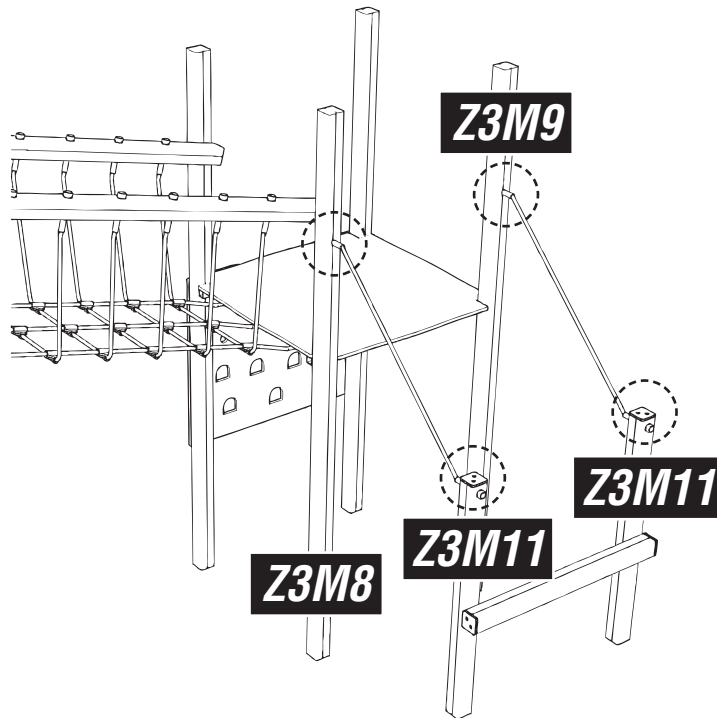


Installation Instructions

7

Attach the ROPES to the TIMBERS ZML2/3/12

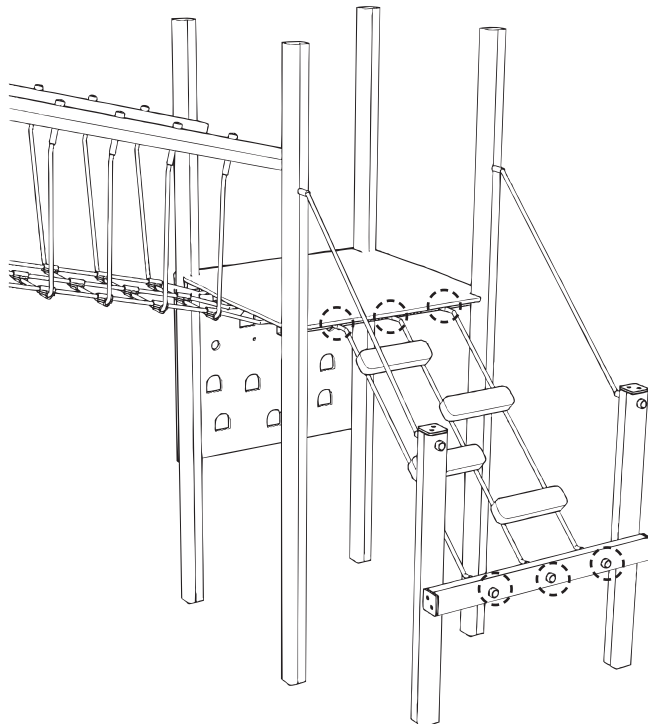
Using NYLOCS / RED CAPS



8

Attach the 1m NET BLOCK RAMP to the TIMBERS Z3M12 and METAL FLOOR

Using NYLOCS / RED CAPS

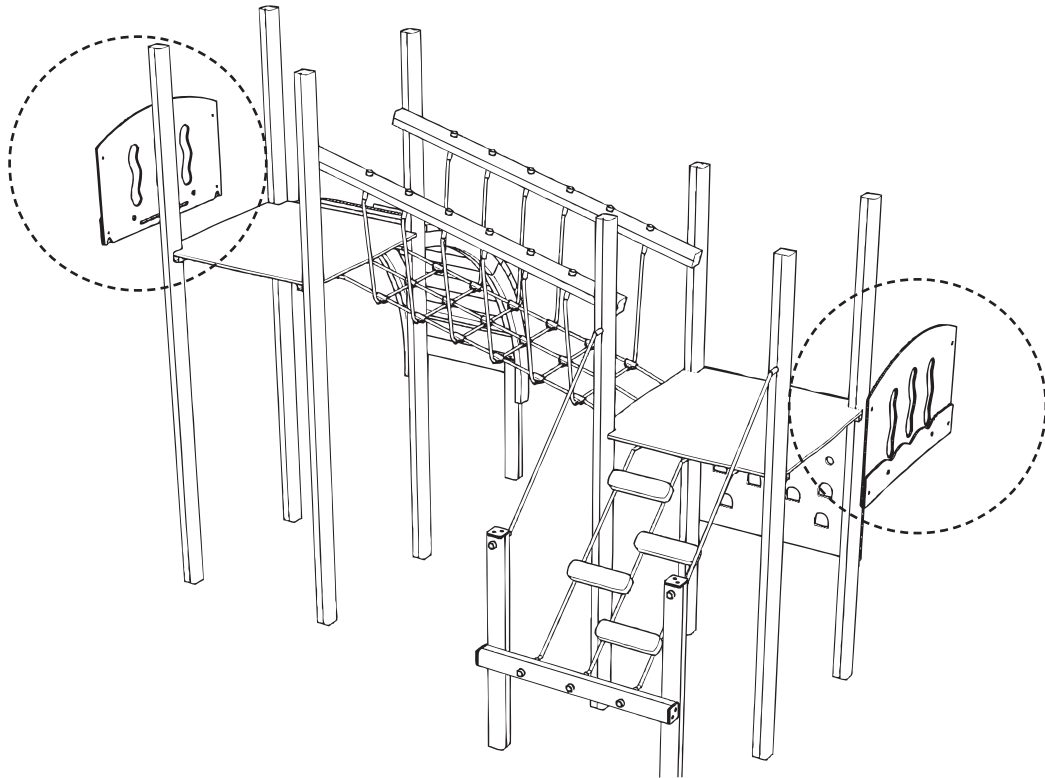




13

Attach the PANELS(x2) to the TIMERS Z2M1/3/9/10

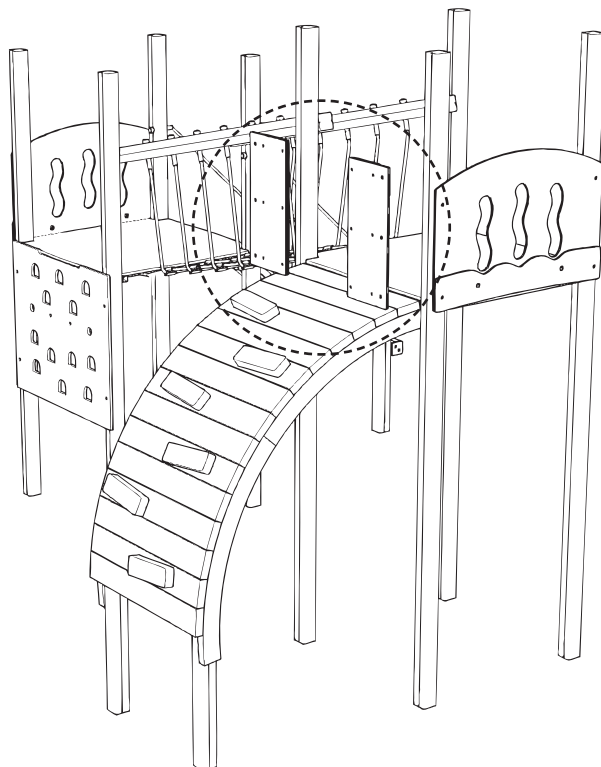
Using 'Brass Screws'



14

Attach the SIDE PANEL to the TIMBERS Z2M3/4

Using 'Brass Screws'

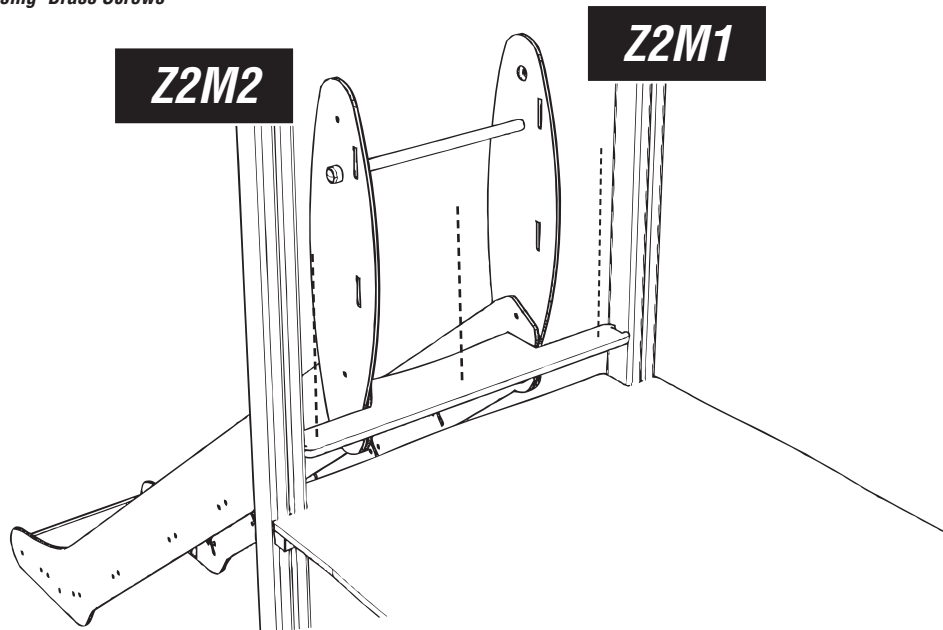


Installation Instructions

15

Attach the SLIDE to the HEXBOARD FLOOR

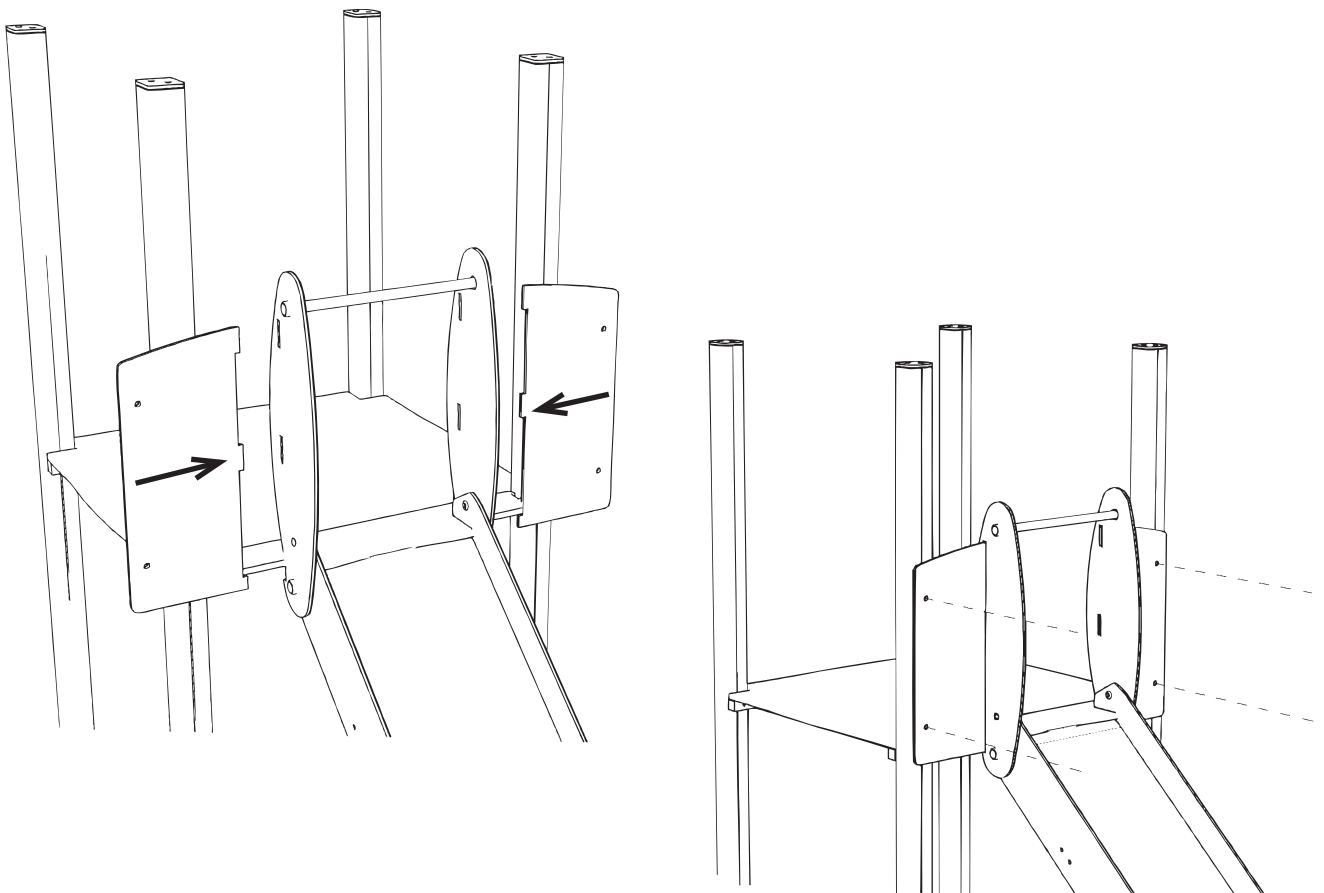
Using 'Brass Screws'



16

Insert the SLIDE SIDES to the SLIDE and to the timbers Z2M1/2

Using 'Brass Screws'

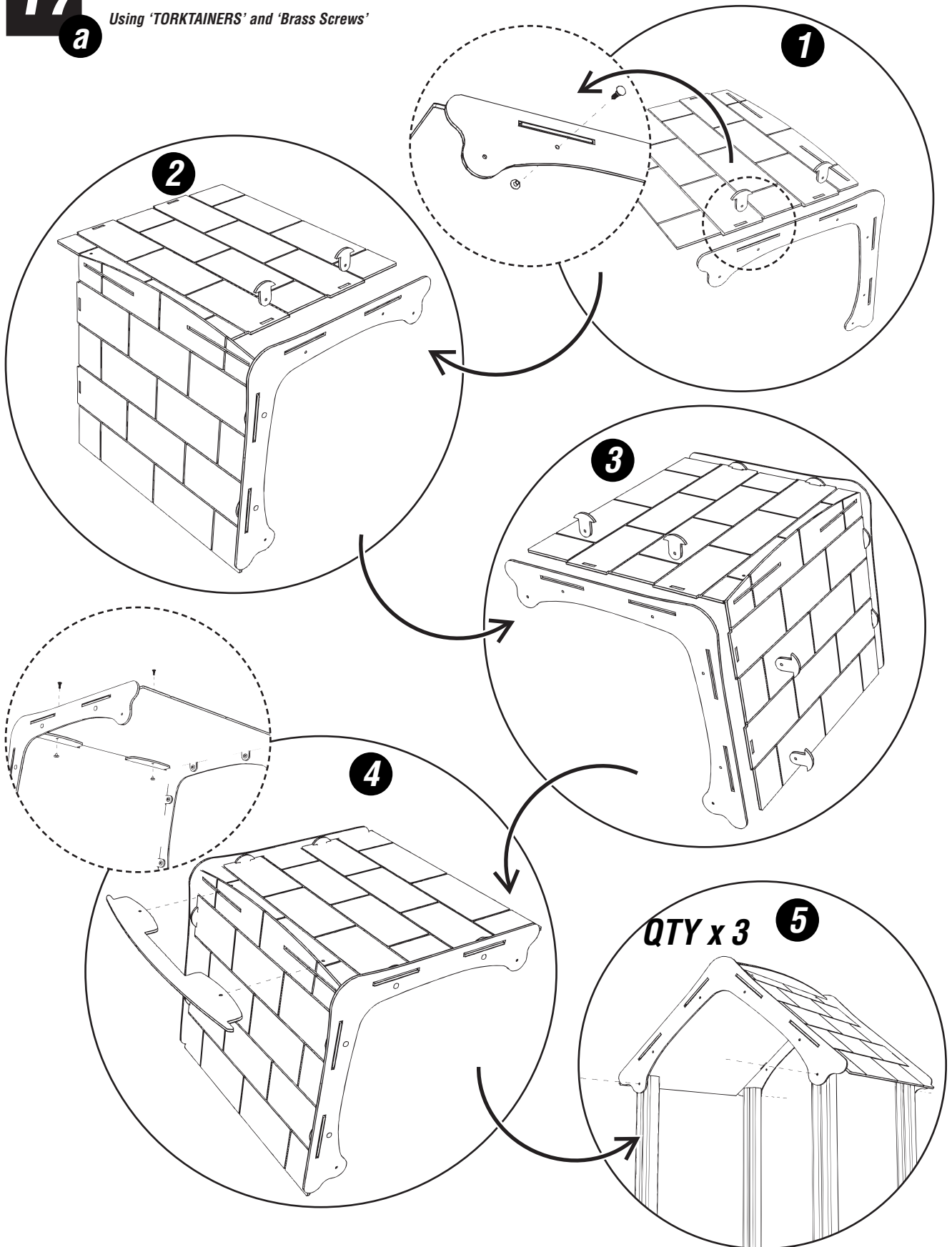


Installation Instructions

17 Attach the roof Parts (NORMAL ROOF)

a

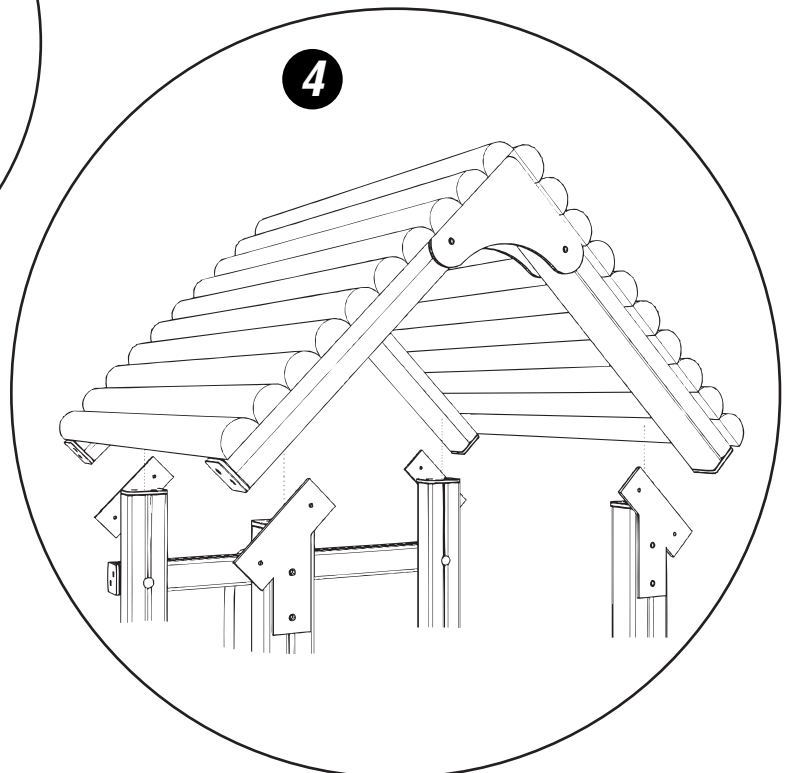
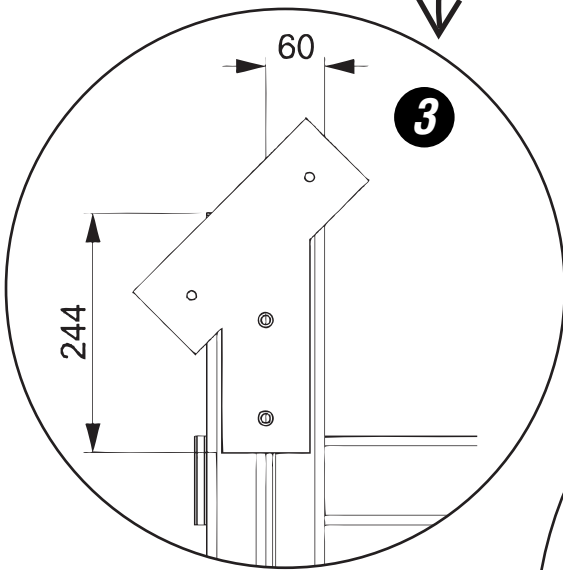
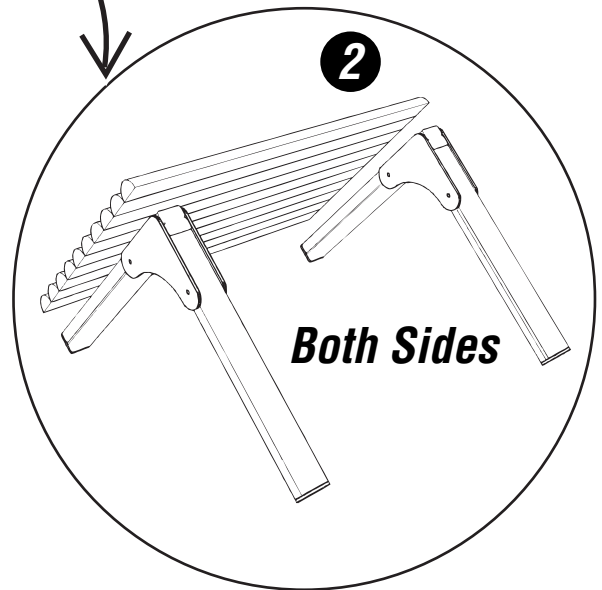
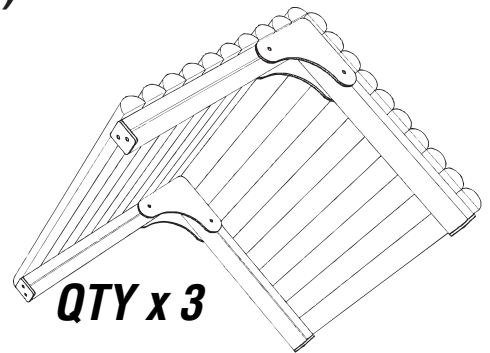
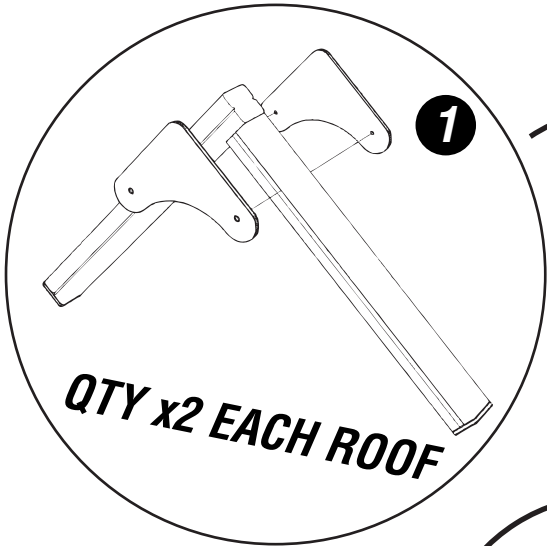
Using 'TORKTAINERS' and 'Brass Screws'



Installation Instructions

17 Attach the roof Parts (RUSTIC ROOF)

b Using 'Brass Screws'



Additional Dimensions

