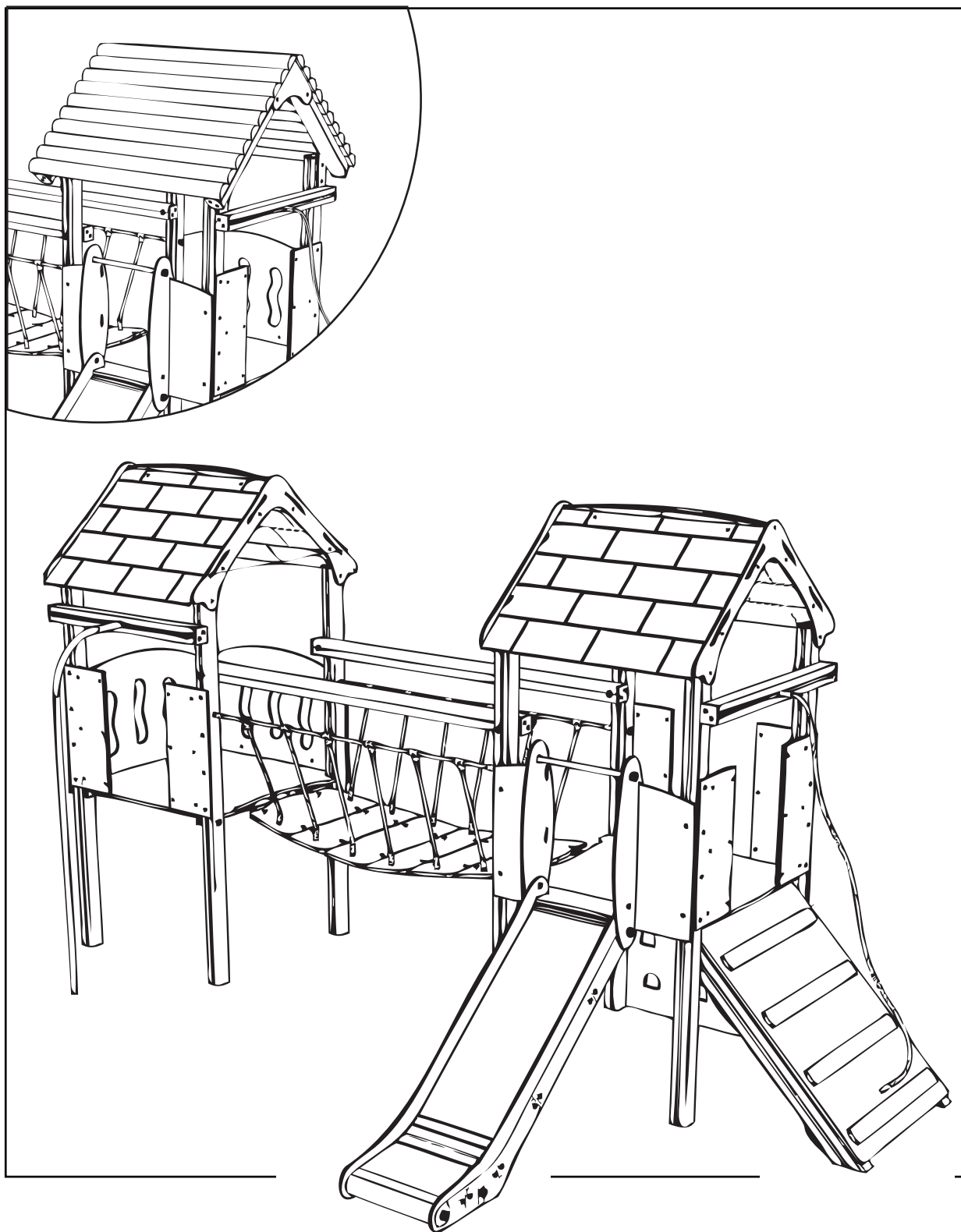


# ZENITH TWO

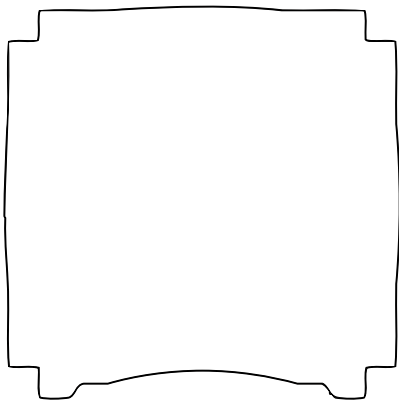
## Installation Instructions

creative  
play

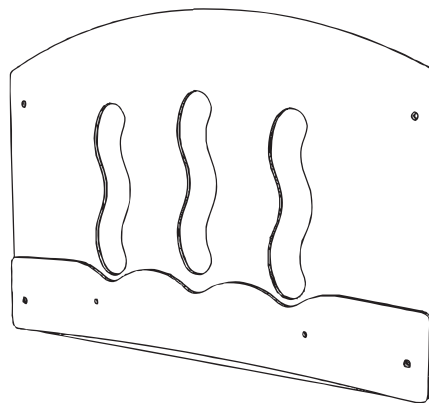


# ***PARTS required***

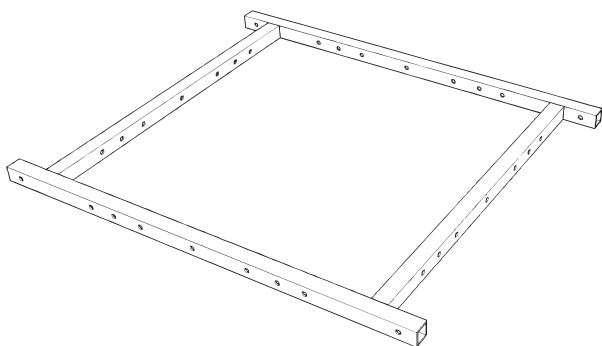
---



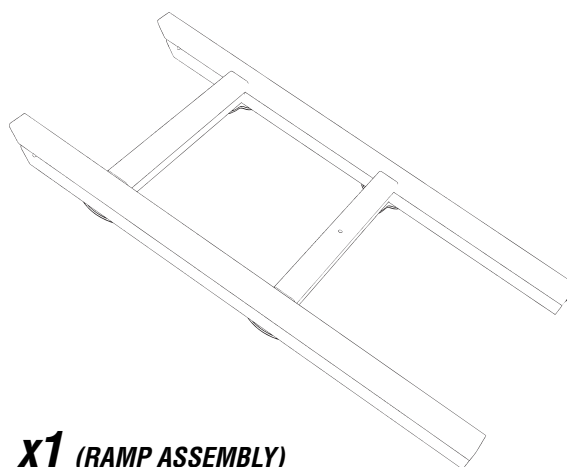
***x2*** (90 x 90 CLATTERBRIDGE FLOOR)



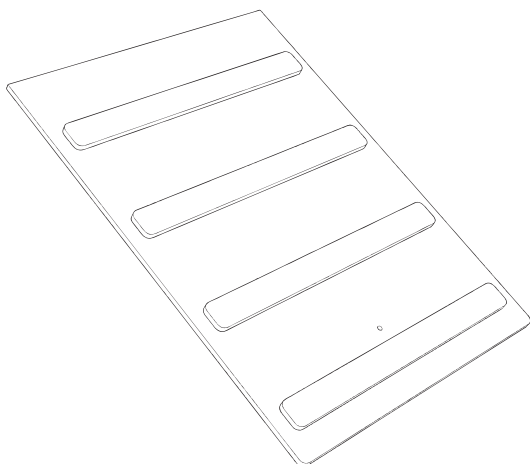
***x2*** (PRE-ASSEMBLED PANEL)



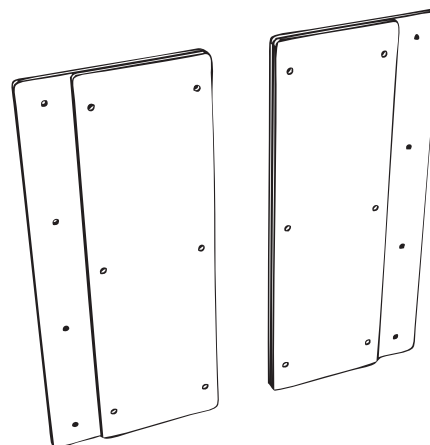
***x2*** (ZENITH TOWERS STANDARD FLOOR 90x90)



***x1*** (RAMP ASSEMBLY)



***x1*** (HEXBOARD RAMP)



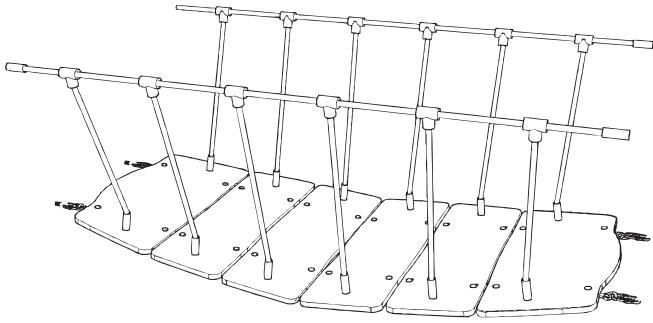
***x2*** (PLAYTEC BARRIER PANEL - FOR FLAT SIDE TIMBER)

***x4*** (PLAYTEC BARRIER PANEL - FOR GROOVED SIDE TIMBER)

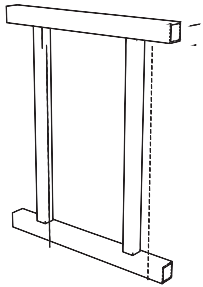
---

***x1*** (RAMP ROPE)

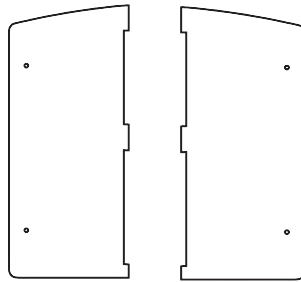
# PARTS required



**x1** (CLATTERBRIDGE)

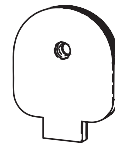


**x1** (SLIDE METAL FRAME)

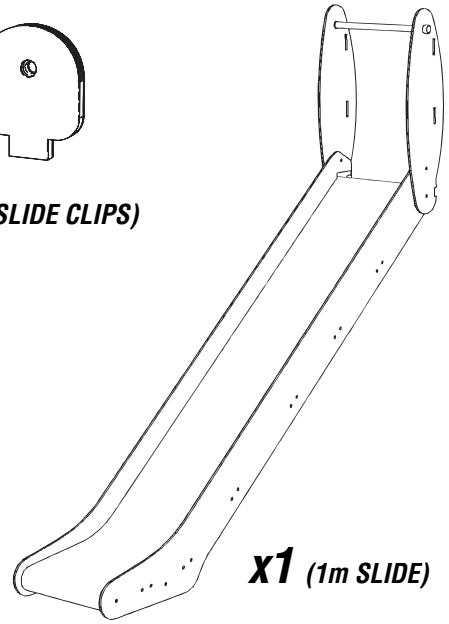


**x1 LEFT** (SLIDE SIDE)

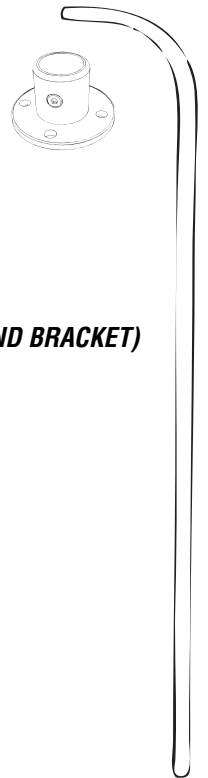
**x1 RIGHT** (SLIDE SIDE)



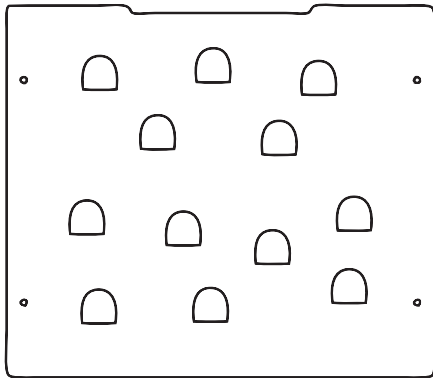
**x2** (SLIDE CLIPS)



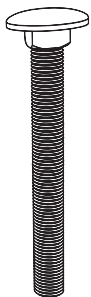
**x1** (1m SLIDE)



**x1** (FIREFIGHTERS POLE AND BRACKET)



**x1** (HEX CLIMBER)



**x10** (M12 x 200 SQUARE CUP HEX BOLTS)

**x8** (M12 x 150 SQUARE CUP HEX BOLTS)

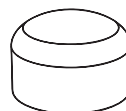


**x52** (FM80' Brass screws')

**x3** (FM40' Brass screws')




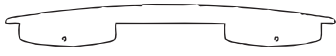
**x28** (M12 'NYLOC')



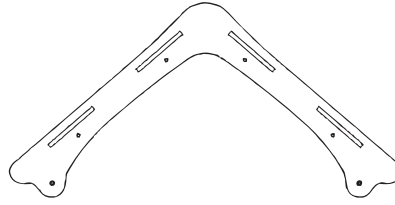
**x28** (Covered Ends)

# PARTS required ( STANDARD ROOF )

 **x16**<sub>(ROOF)</sub>



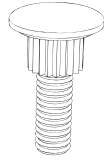
**x2** (TOP ROOF CLIP)



**x4** (SIDE ROOF)



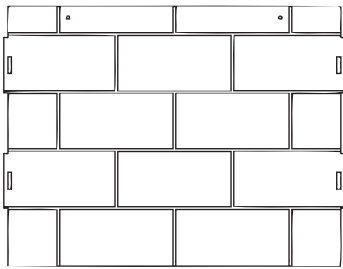
**x20** (N1 - TORKTAINER)



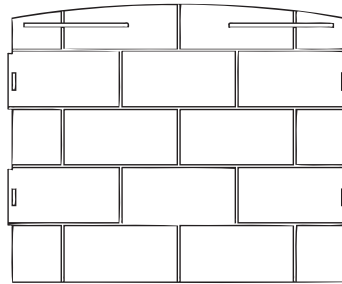
**x20** (3B- TORKTAINER)



**x8** (FM80 ' Brass screws')

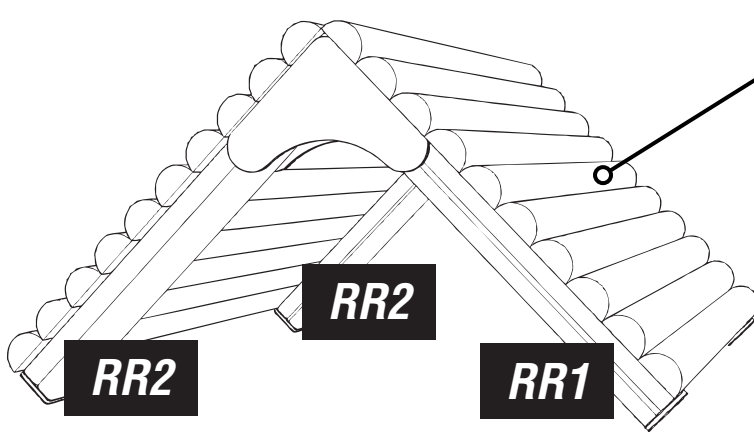


**x2** (FRONT ROOF)



**x2** (BACK ROOF)

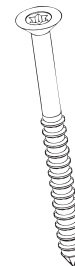
# PARTS required ( RUSTIC ROOF )



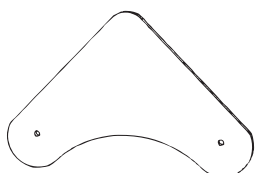
**RR3** **x40** (HALF ROUND TIMBERS)

**RR2** **x4**

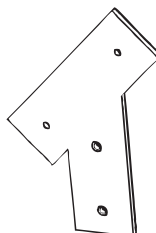
**RR1** **x4**



**x128** (FM80 ' Brass



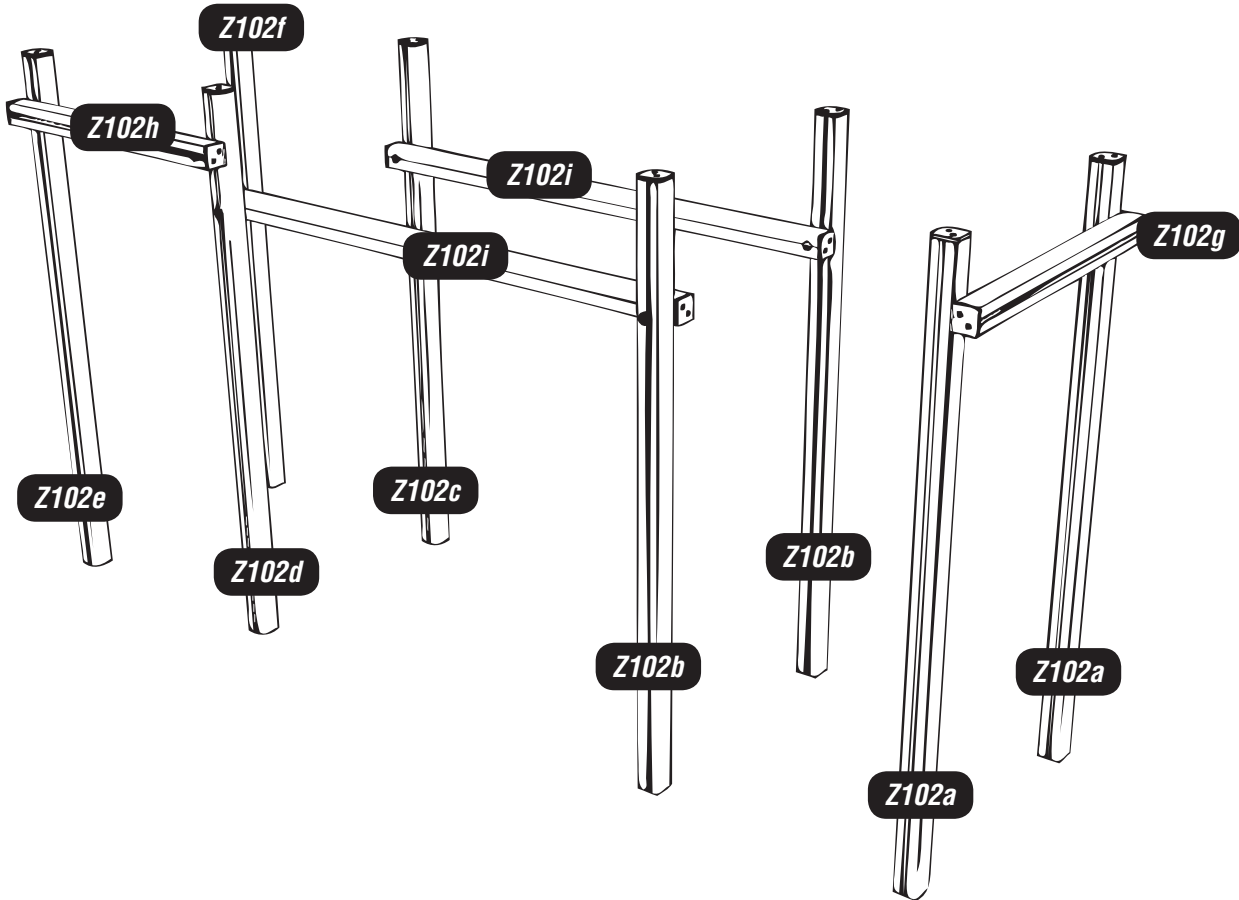
**x8** (TOP RUSTIC ROOF)



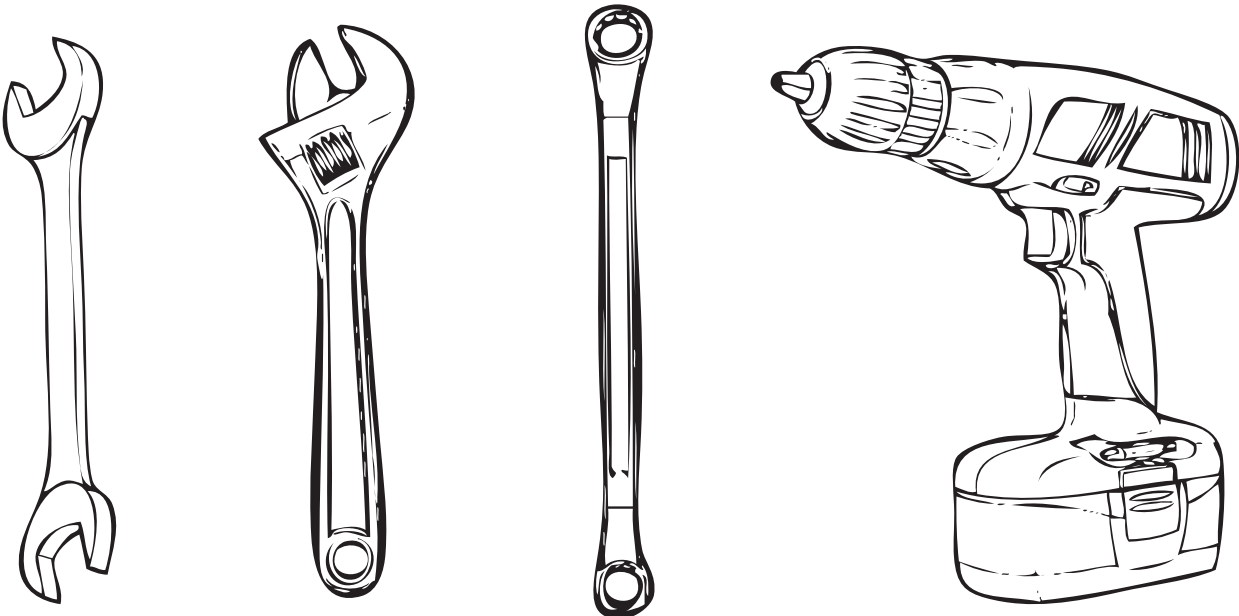
**x4 LEFT** (SIDES RUSTIC ROOF)

**x4 RIGHT** (SIDES RUSTIC ROOF)

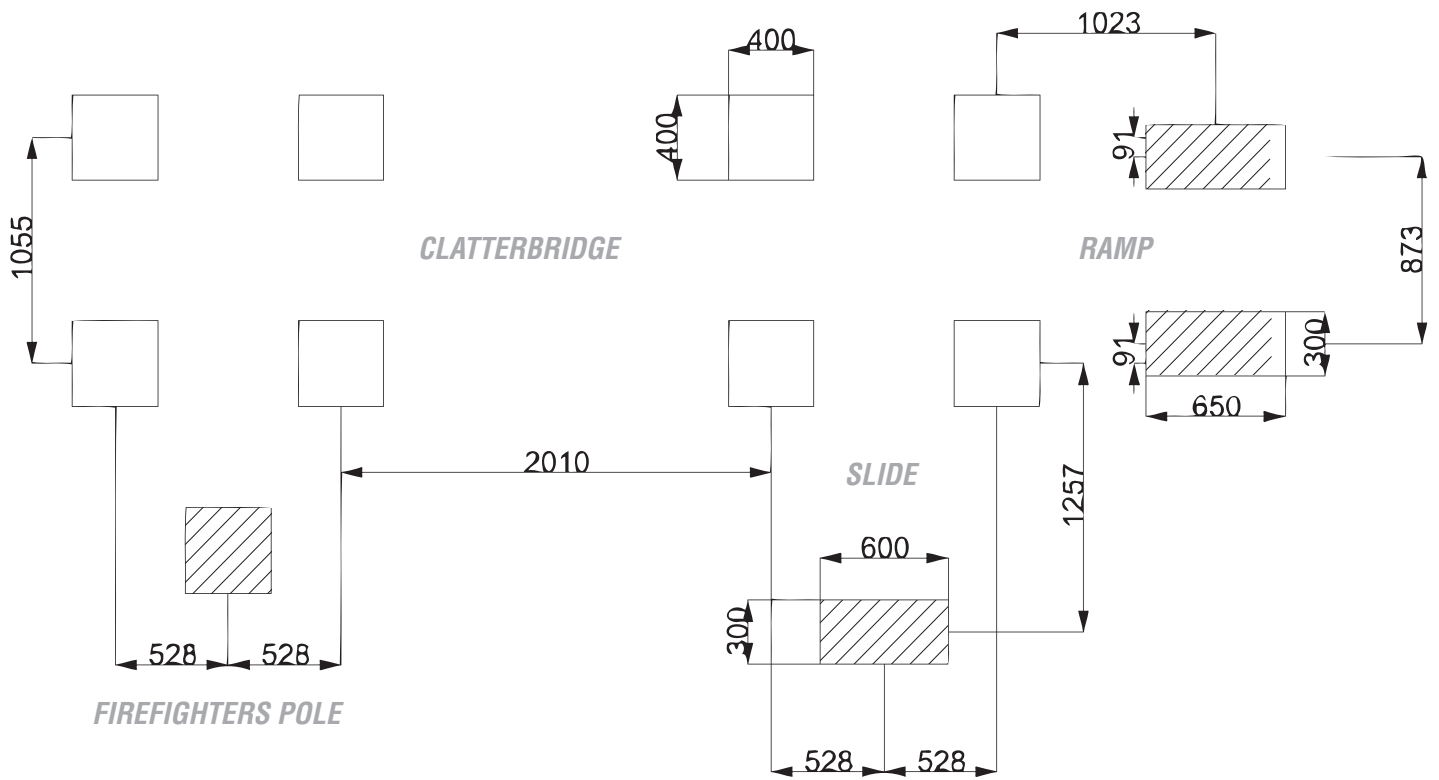
# TIMBERS required




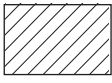
# TOOLS required



# Foundation Details

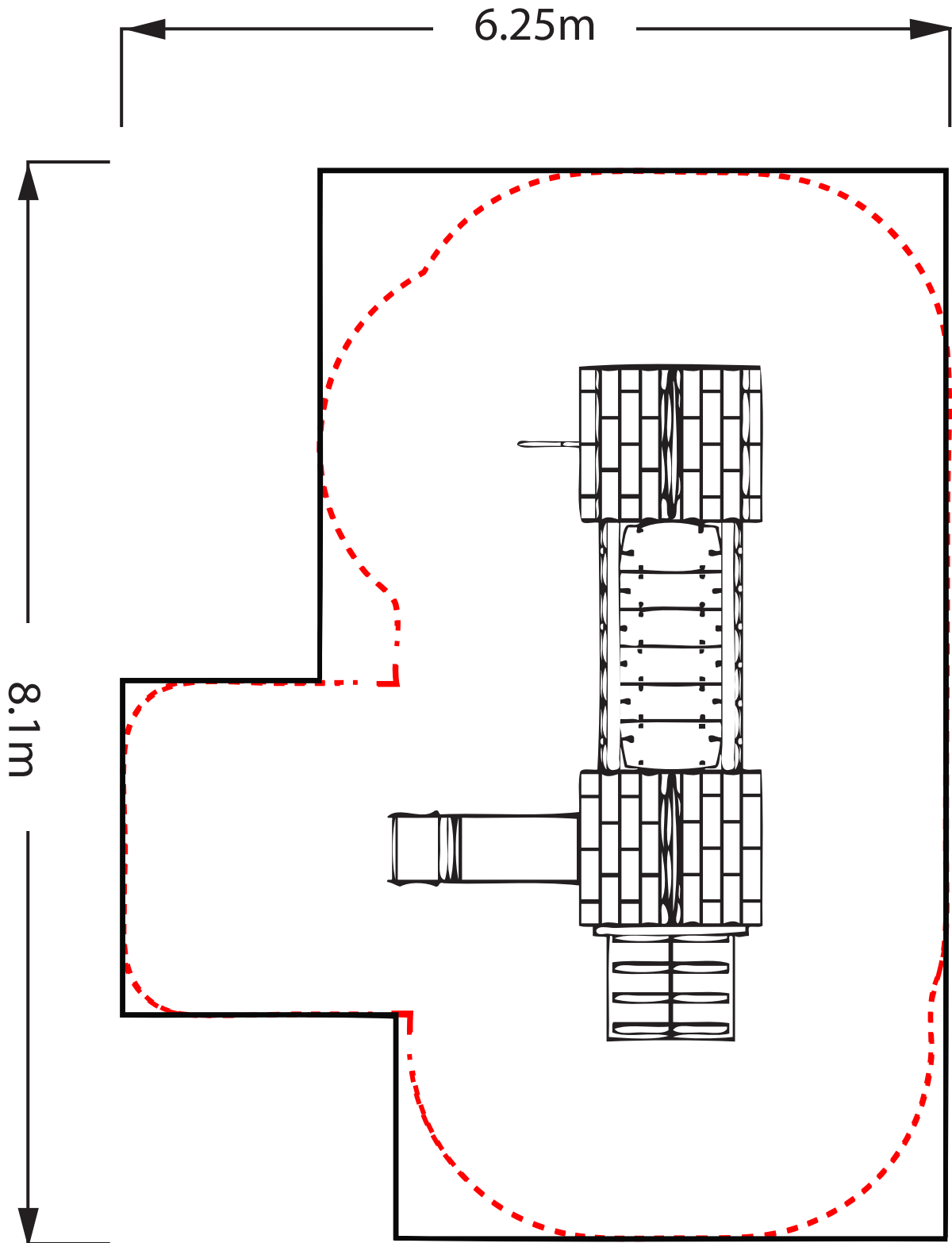


**FIG. 1**

	600 Concrete + 150 Soil
	350 Concrete + 150 Soil

# Surfacing Details

- - - = **MINIMUM SPACE**
- = **SURFACE AREA**



# Installation Instructions

1

## Install timber UPRIGHTS

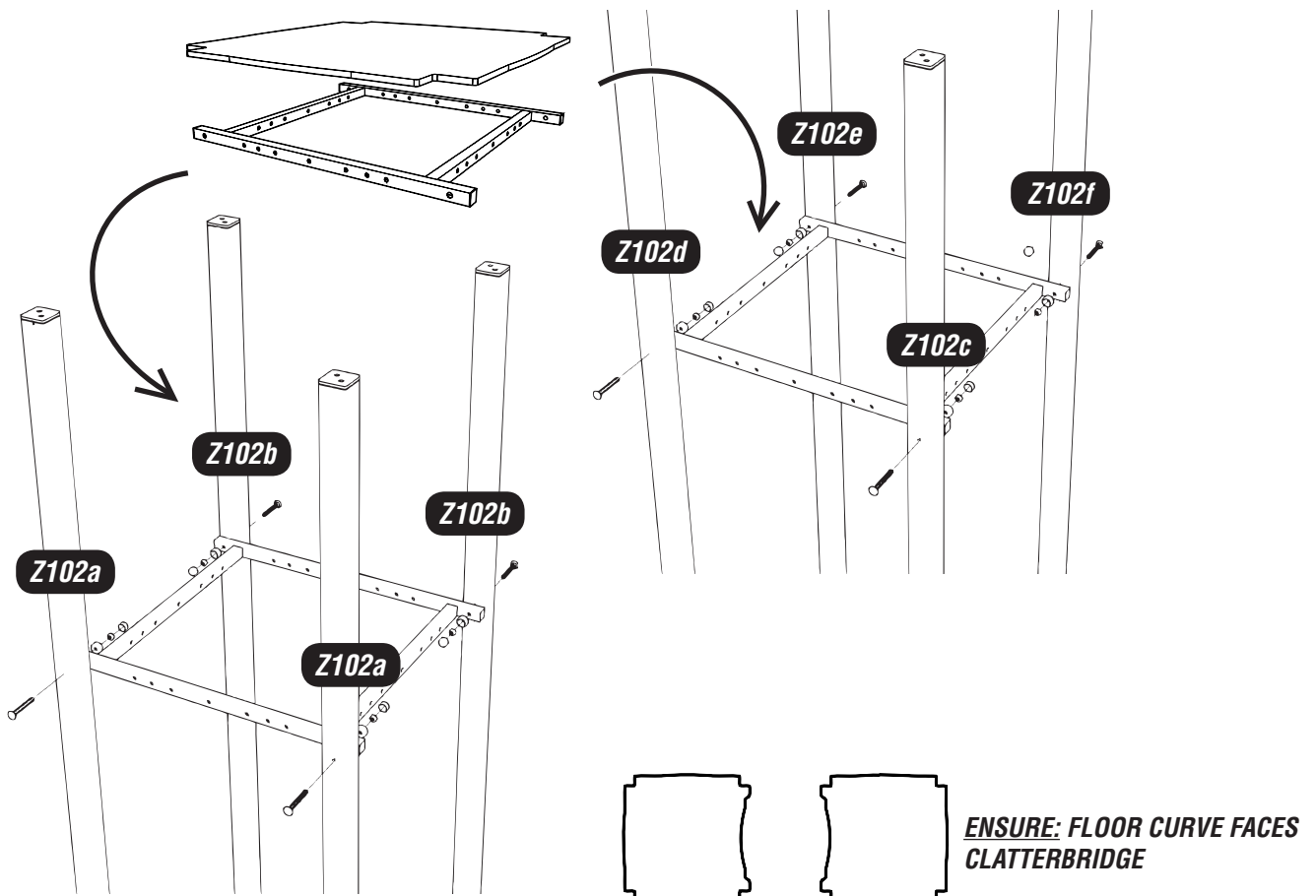
Follow foundation details



2

## ATTACH METAL FLOOR FRAMES AND HEX FLOORS

Using 4x150mm M12 SQUARE CUP HEX BOLTS/ 4x Nylocs / 4x RED CAPS (PER FLOOR)



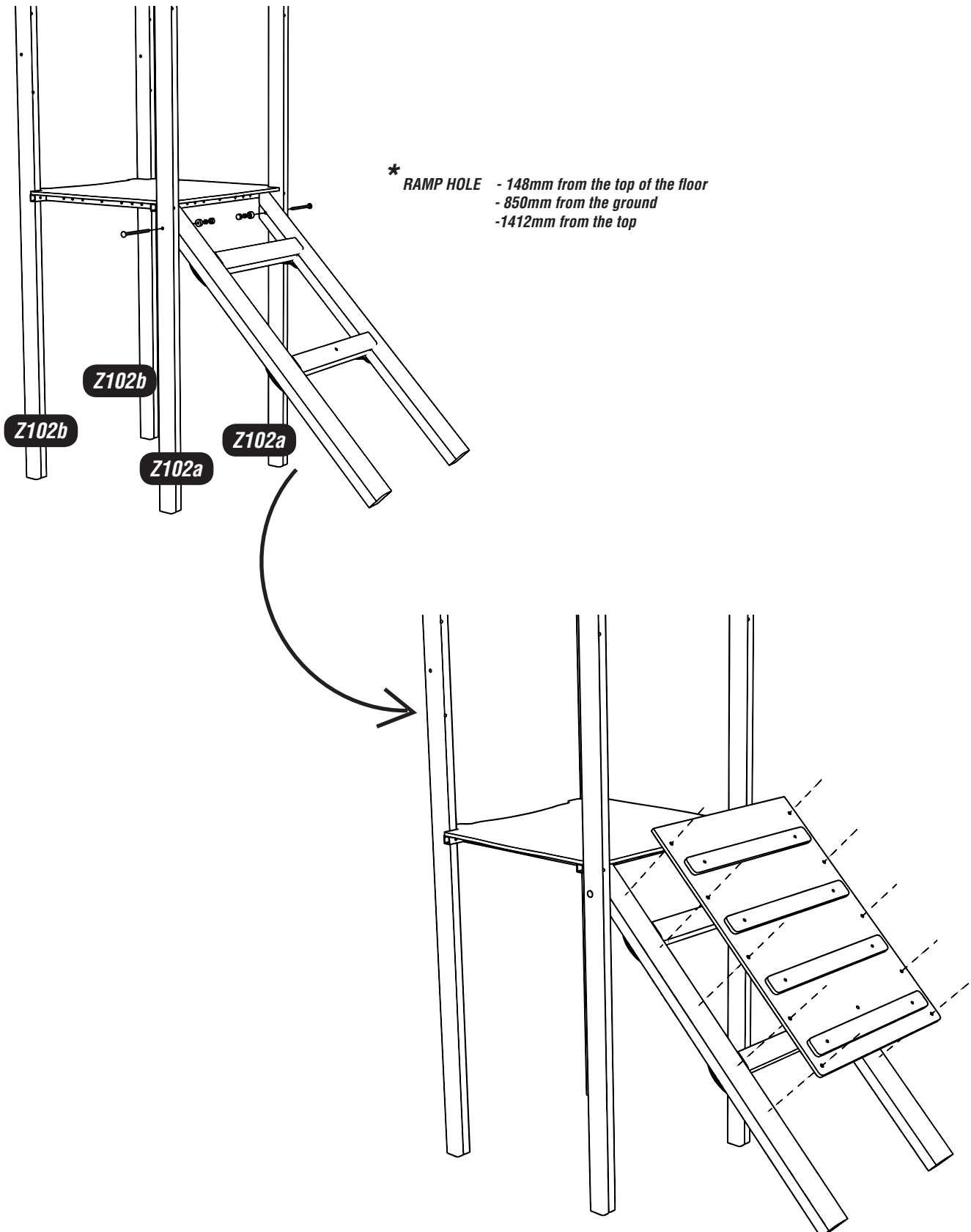


# Installation Instructions

**3**

## Attach the RAMP to Z102a TIMBERS

Using 2x @200mm M12 SQUARE CUP HEX BOLTS / 2x NYLOCS / 2x RED CAPS / 10x FM80 Brass Screws

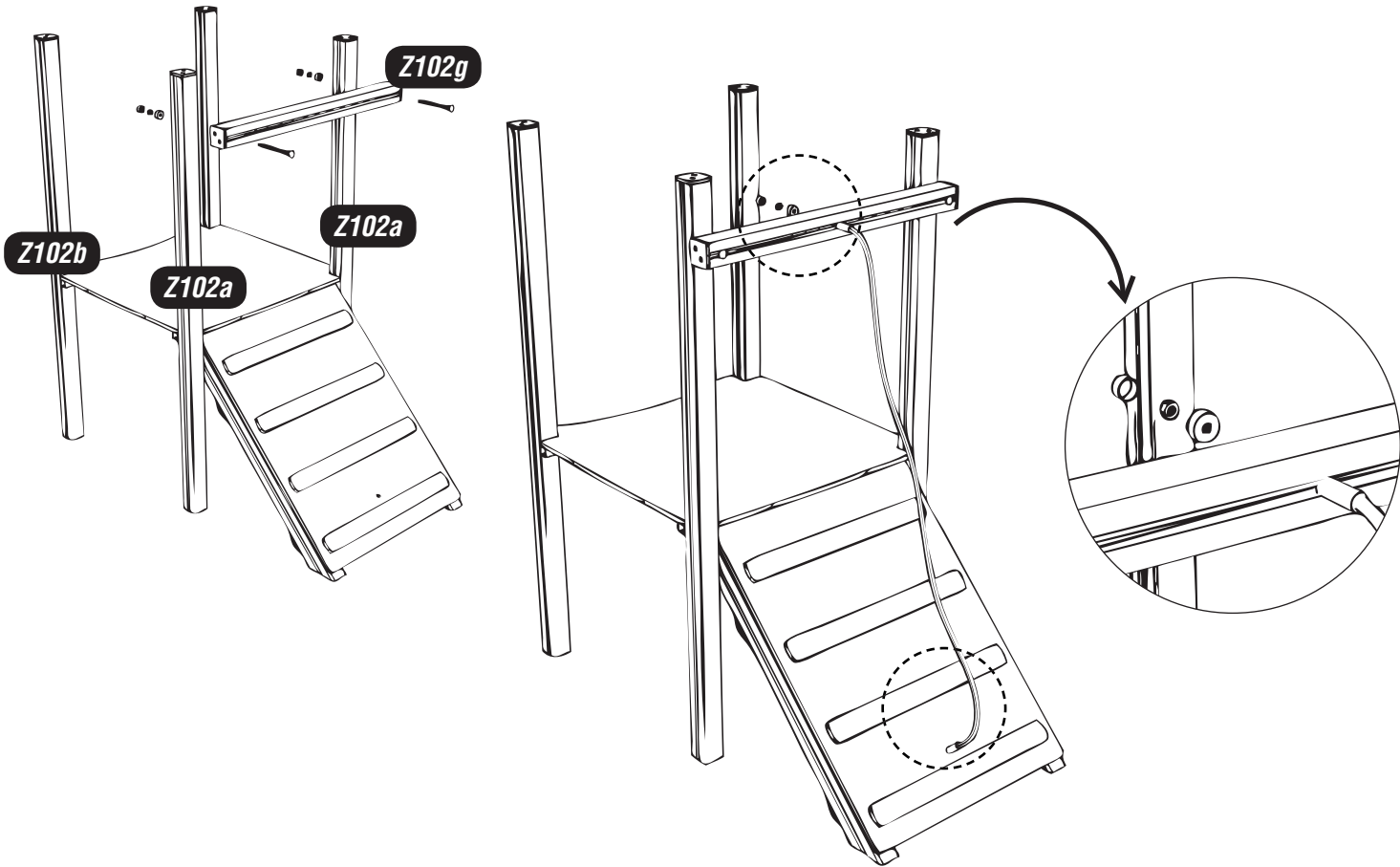


# Installation Instructions

**4**

## Attach **TIMBER Z102g** and **RAMP ROPE**

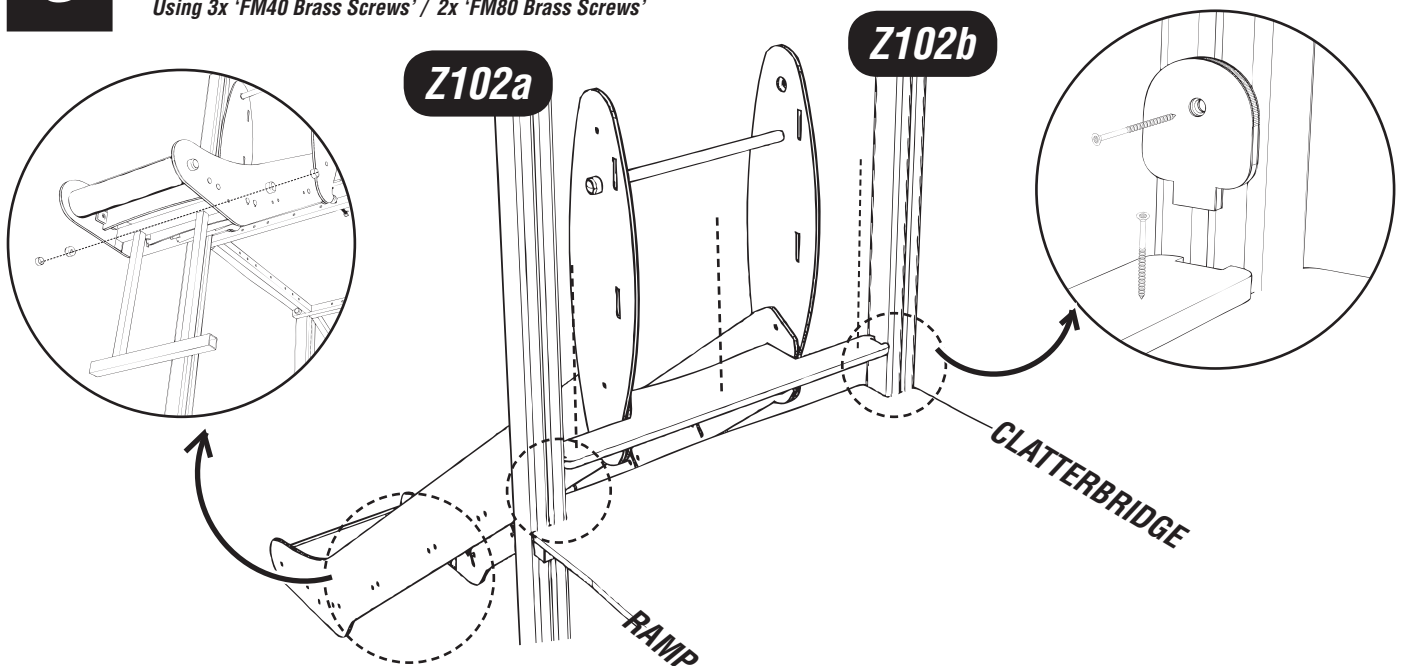
Using 2x 200mm M12 CUP SQ. HEX / 2 X M12 NYLOCS / 2 X COVERED ENDS - RAMP PULL TIMBER  
2x NYLOCS / 2x COVERED ENDS - RAMP ROPE



**5**

## Attach the **SLIDE** to **TIMBERS Z102a/b** and the **HEXBOARD FLOOR**

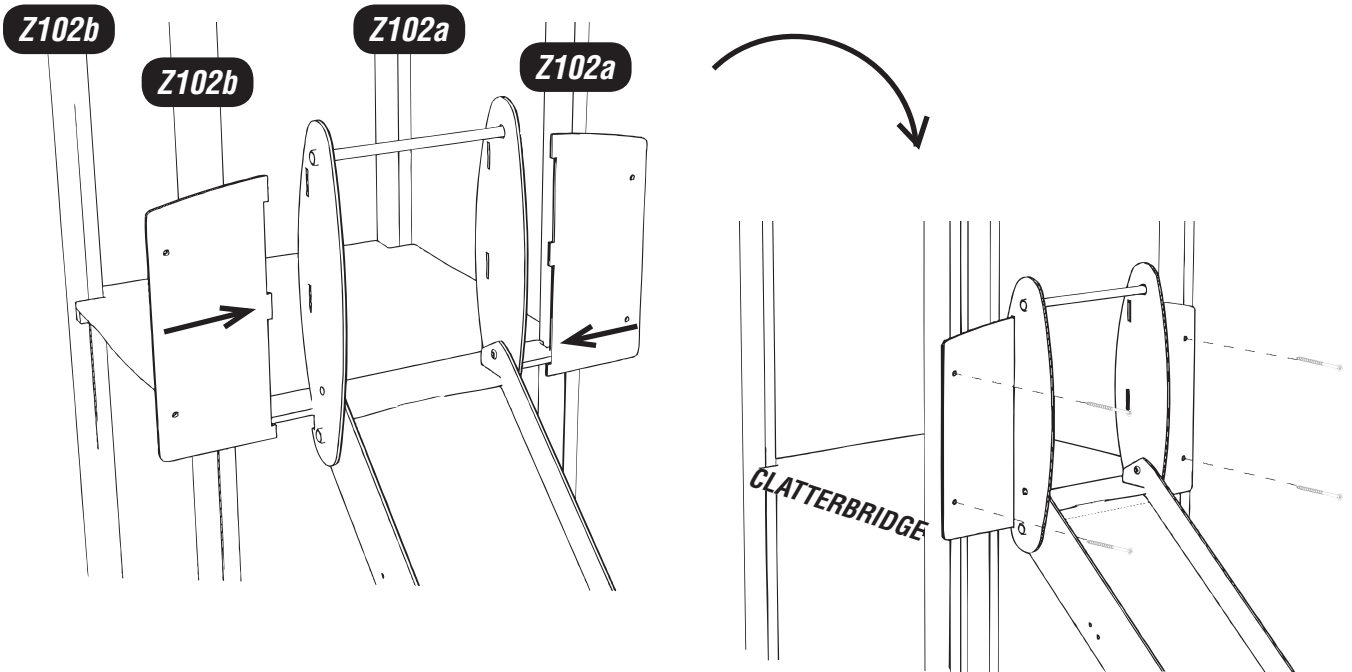
Using 3x 'FM40 Brass Screws' / 2x 'FM80 Brass Screws'



# Installation Instructions

**6**

**Insert the SLIDE SIDES to the SLIDE and to the timbers**  
USING 4x 'FM80 Brass Screws'

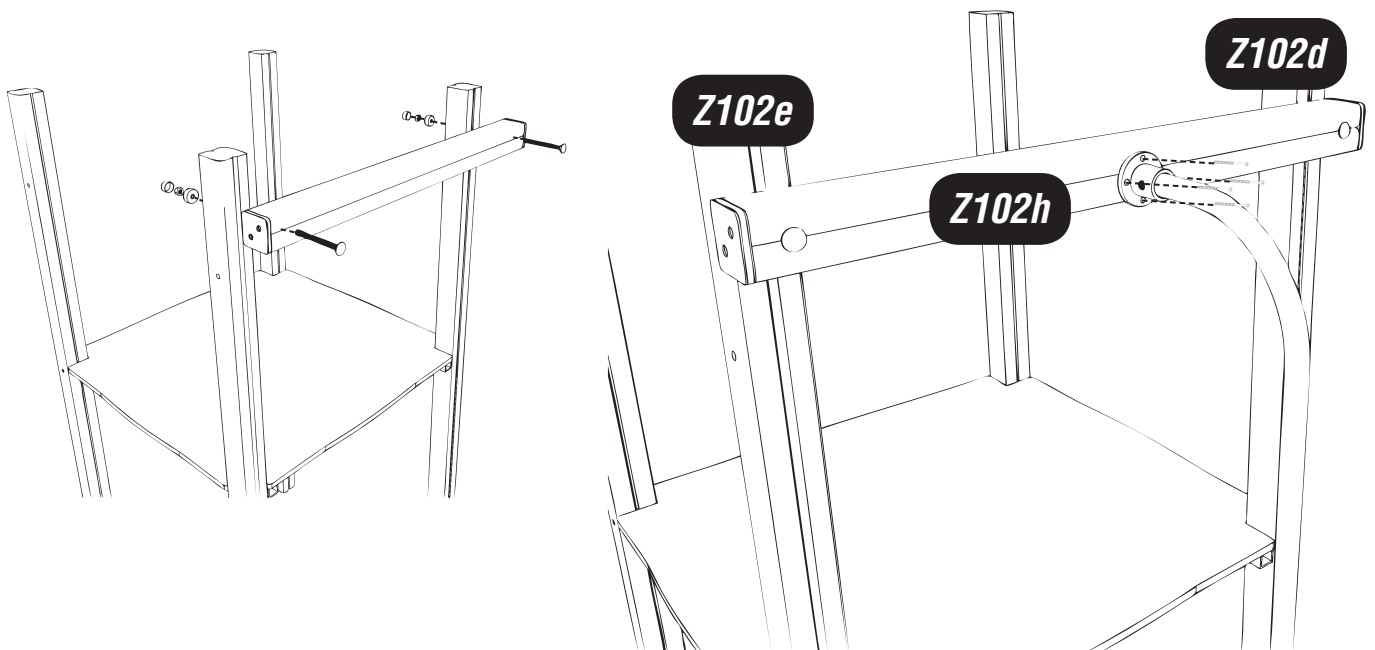


**7**

## ATTACH FIREFIGHTERS POLE

ATTACH Z102h USING 2 X 200mm CUP SQUARE BOLTS / 2 X M12 NYLOCS / 2 X COVERED ENDS/

ATTACH POLE INTO METAL BRACKET - TIGHTEN INTO PLACE AND FIX TO MIDDLE OF TIMBER USING FM80 BRASS SCREWS.



# Installation Instructions

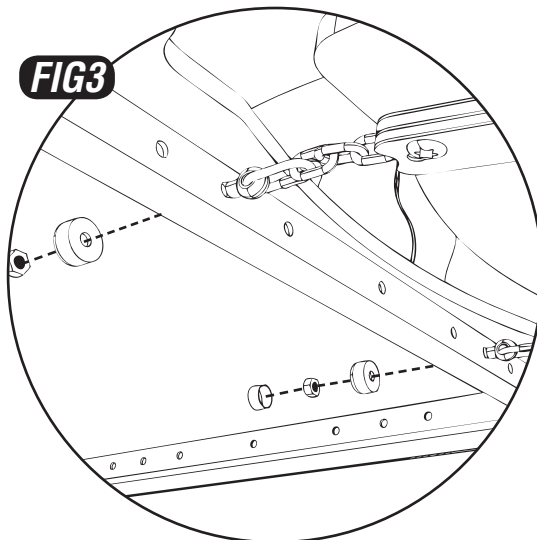
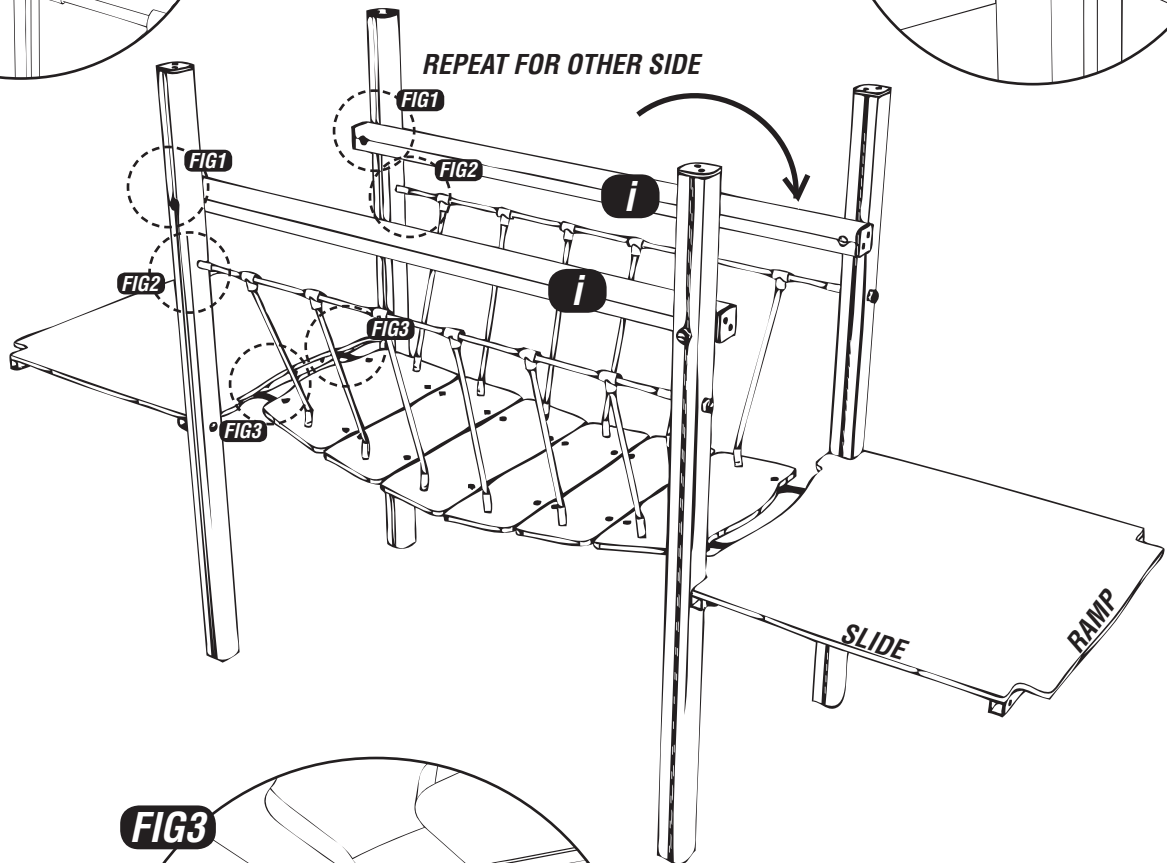
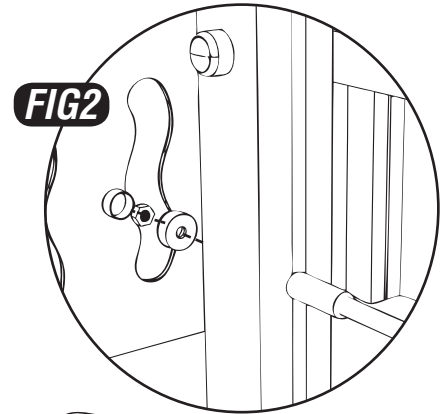
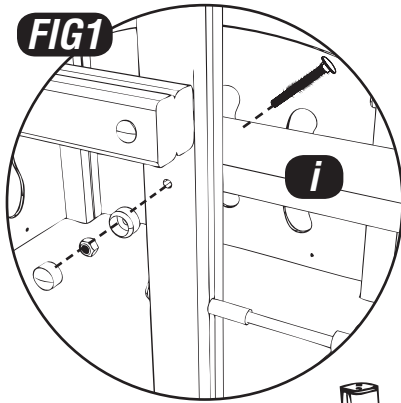
**8**

## ATTACH the CLATTERBRIDGE and TIMBERS Z102i

Fig1 - ATTACH Z102i TIMBERS USING 4 X M12 X 200 CUP SQUARE BOLTS / 4 X M12 NYLOCS / 4 X COVERED ENDS

Fig2 - ATTACH ROPES USING 4 X M12 NYLOCS / 4 X COVERED ENDS

Fig3 - ATTACH CLATTERBRIDGE CHAIN USING 4 X M12 NYLOCS / 4 X COVERED ENDS

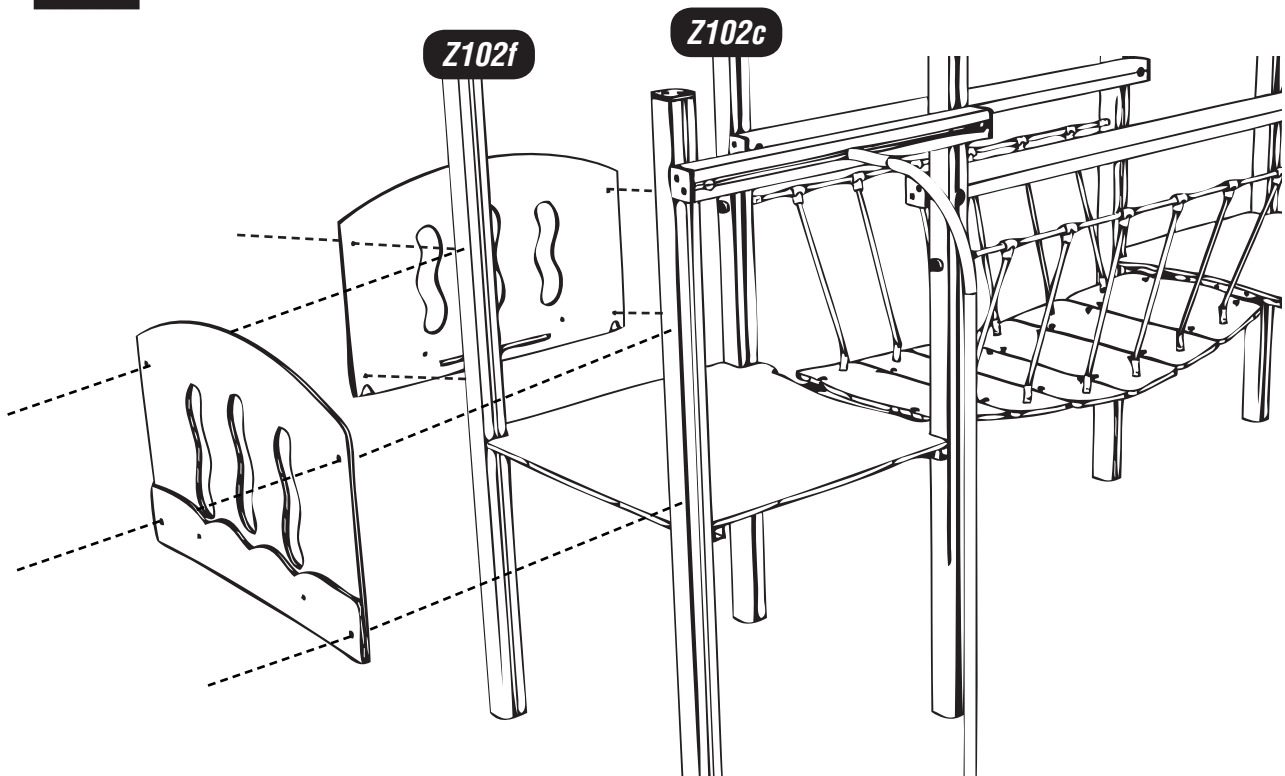


# Installation Instructions

9

## ATTACH SIDE PANELS

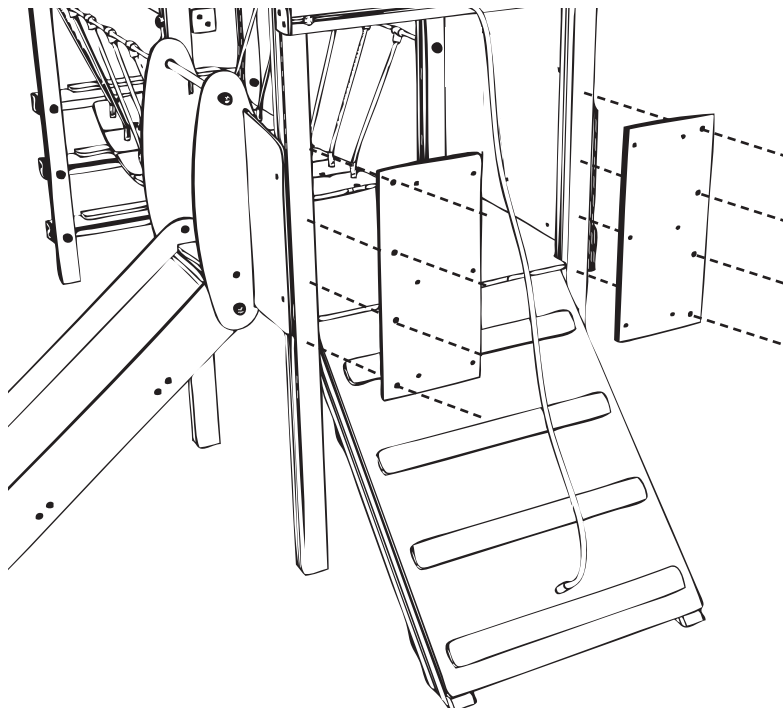
USING FM80 BRASS WOOD SCREWS



10

## ATTACH RAMP BARRIER SIDES TO Z102a TIMBERS

USING FM80 BRASS WOOD SCREWS

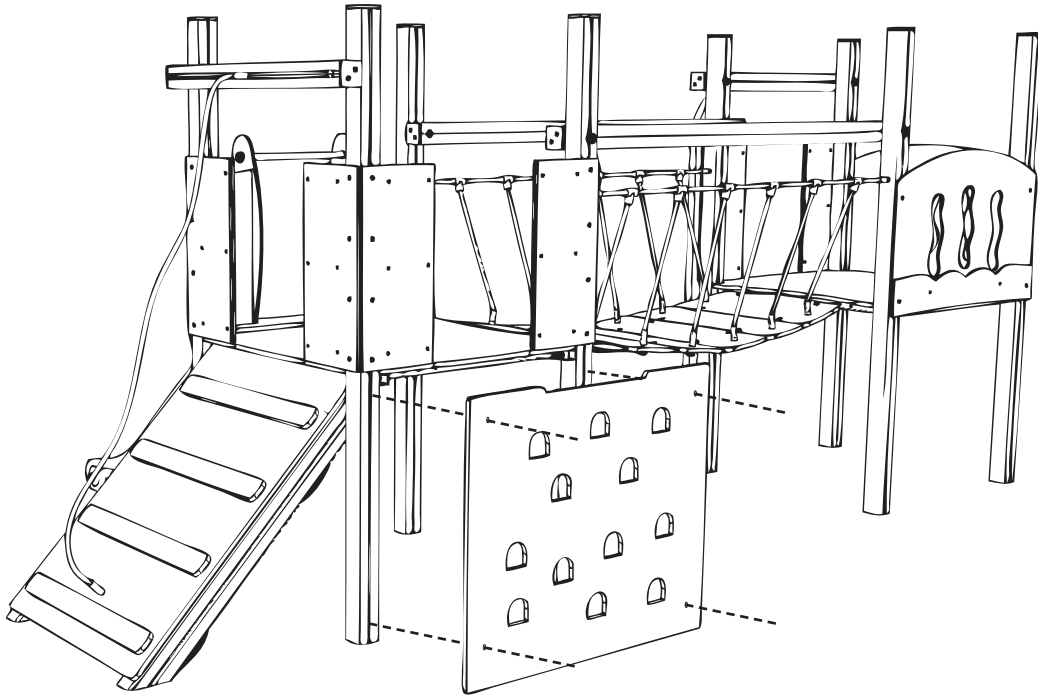


# Installation Instructions

**11**

## ATTACH HEXBOARD CLIMBER TO Z102a/b TIMBERS

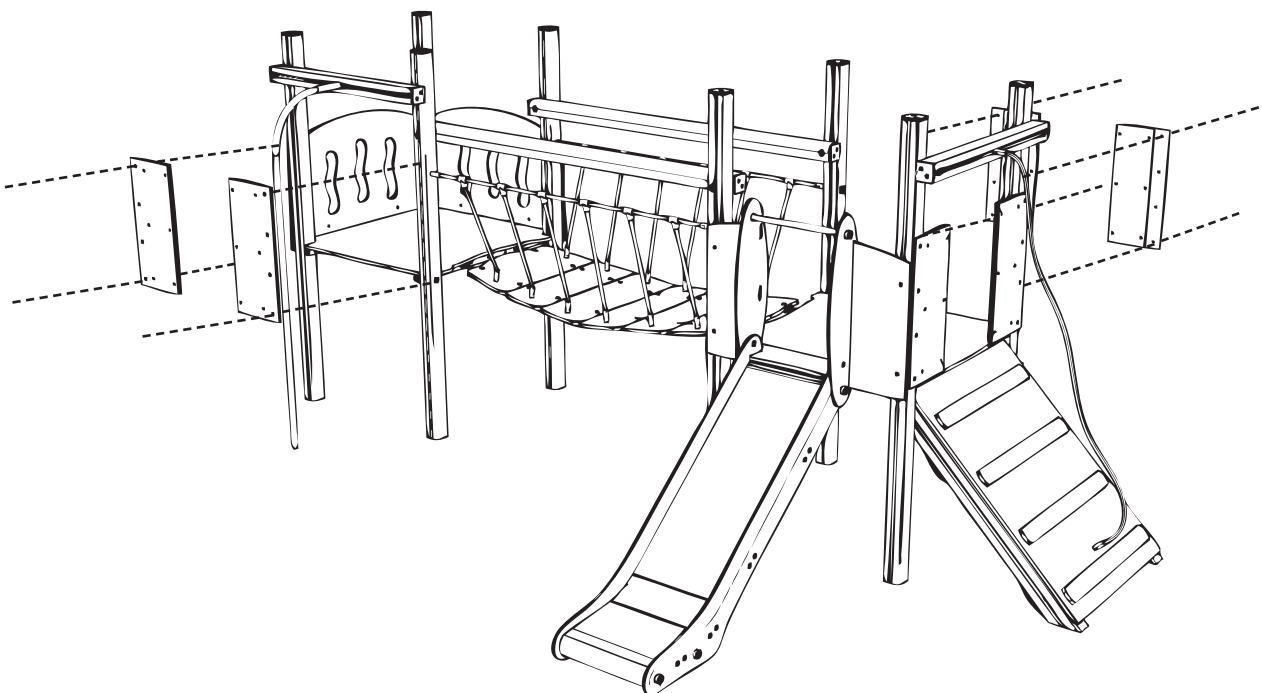
USING 4 X FM80 BRASS WOOD SCREWS



**12**

## ATTACH BARRIER PANELS to CLIMBER and FIREFIGHTERS POLE

USING 12 X FM80 BRASS WOOD SCREWS



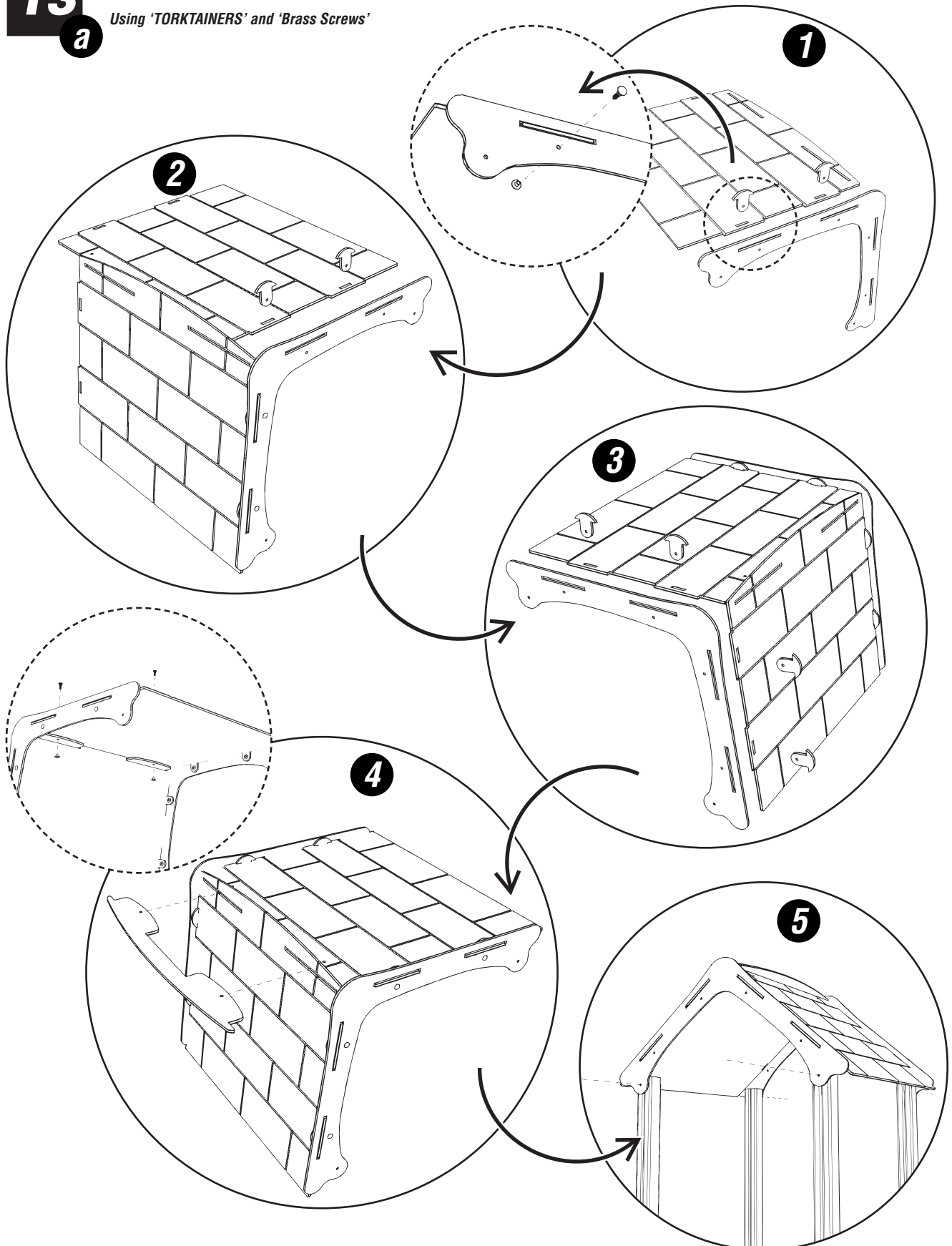
# Installation Instructions

**13**

## Attach the roof Parts (NORMAL ROOF)

**a**

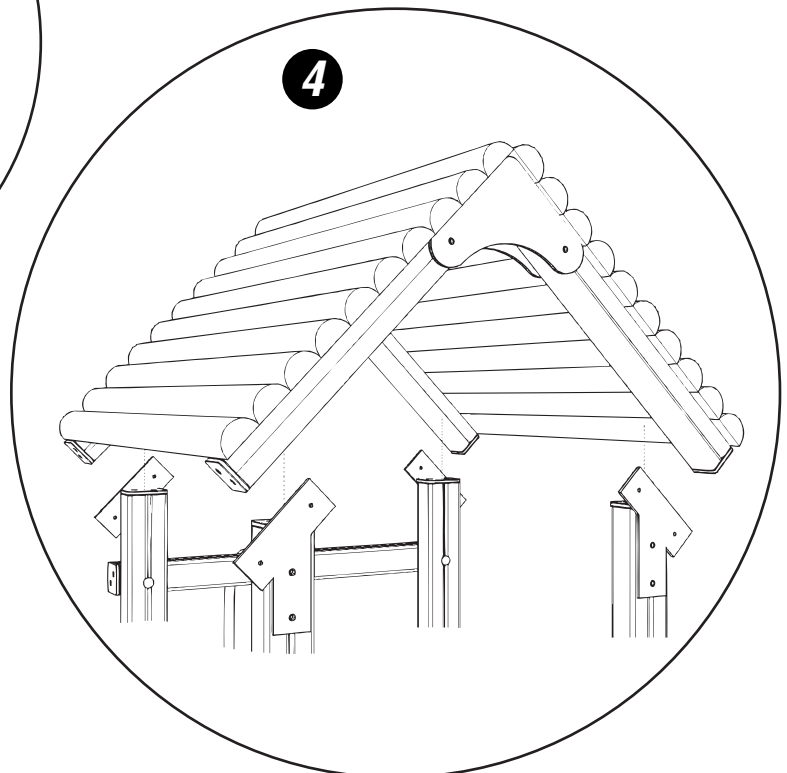
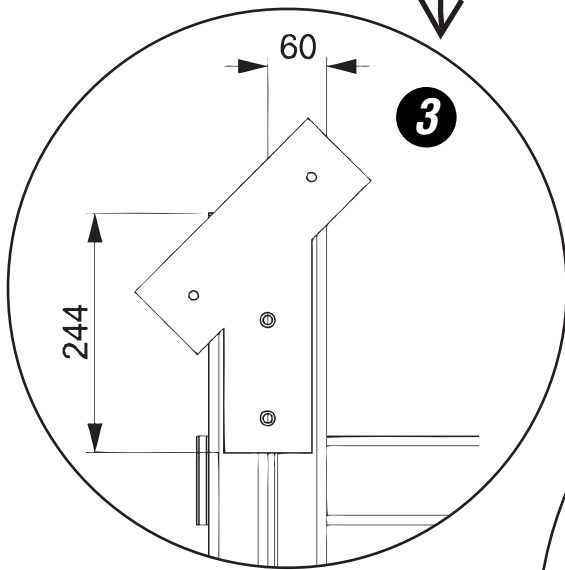
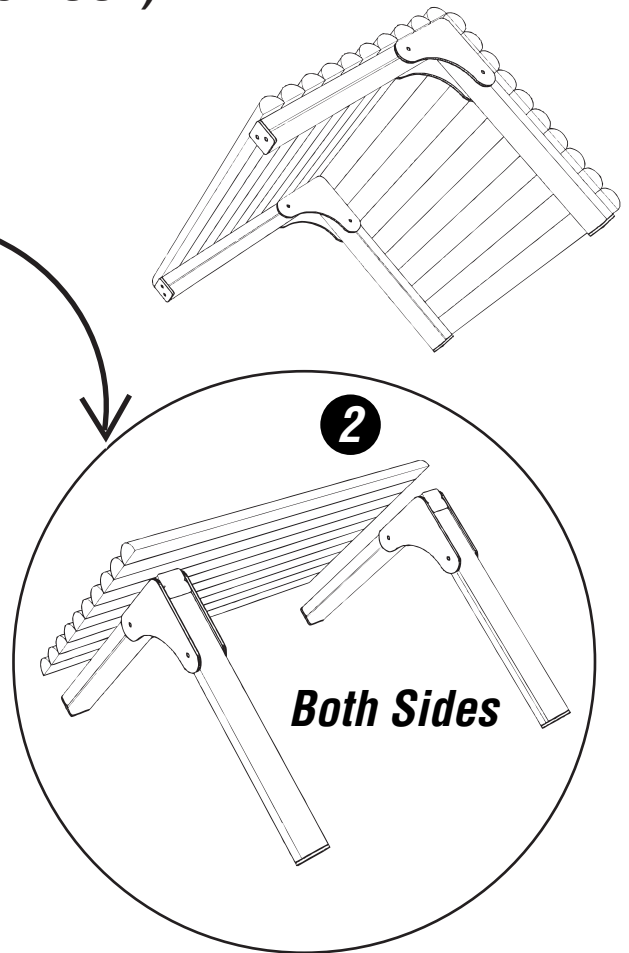
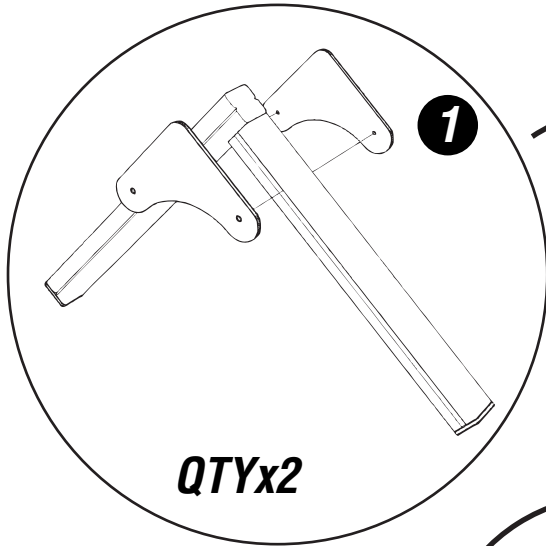
Using 'TORKTAINERS' and 'Brass Screws'





# Installation Instructions

## 13 **b** Attach the roof Parts (RUSTIC ROOF) Using 'Brass Screws'





# Additional Dimensions

---

