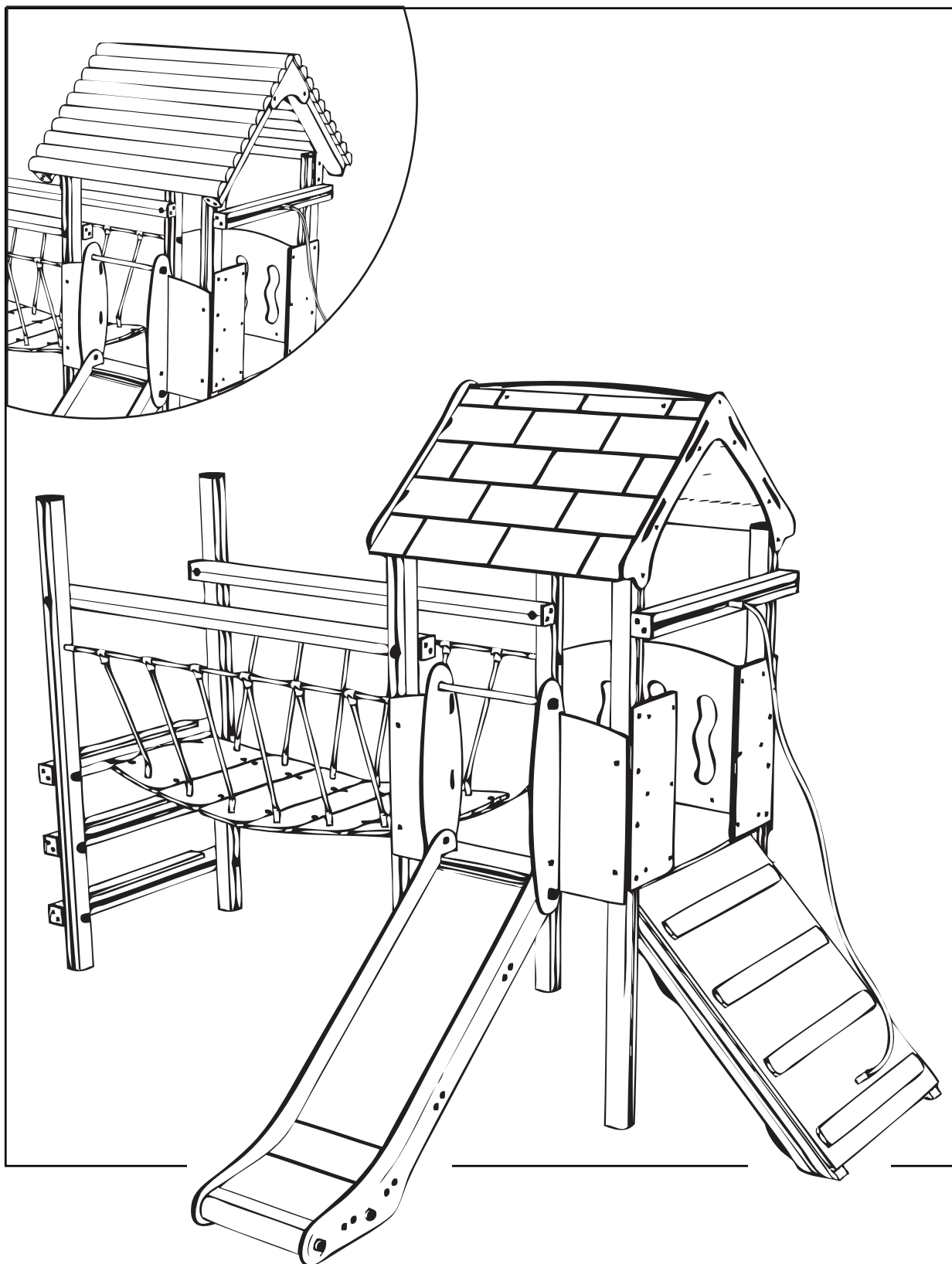


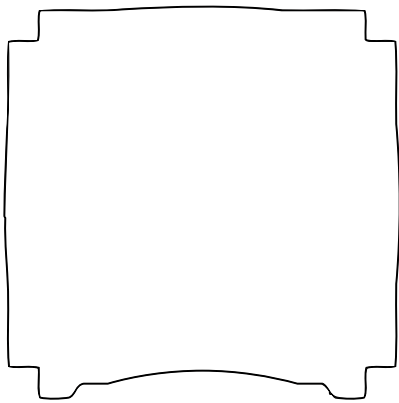
ZENITH ONE

Installation Instructions

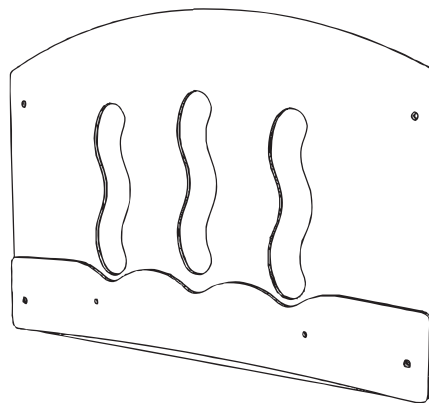
creative
play



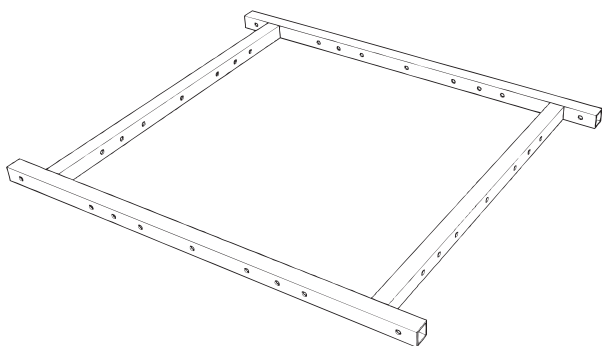
PARTS required



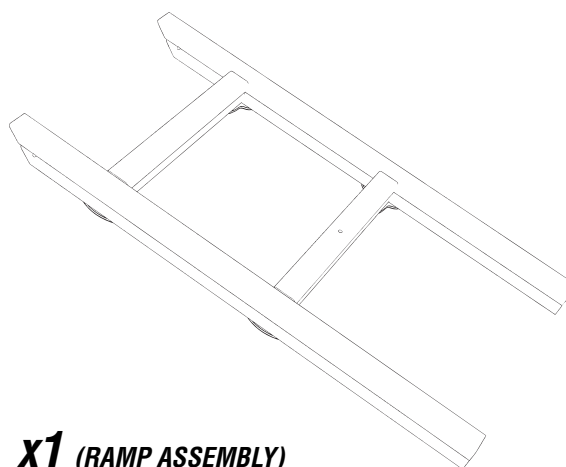
X1 (90 x 90 CLATTERBRIDGE FLOOR)



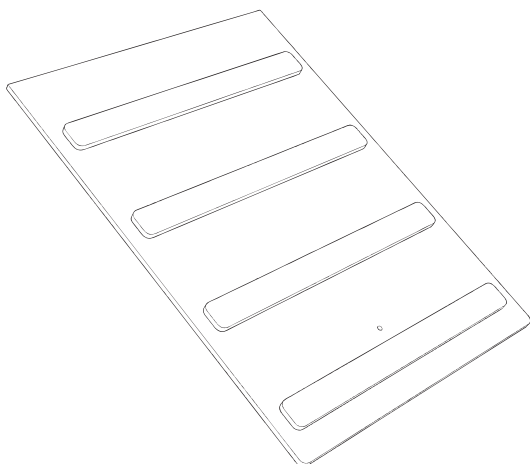
X1 (PRE-ASSEMBLED PANEL)



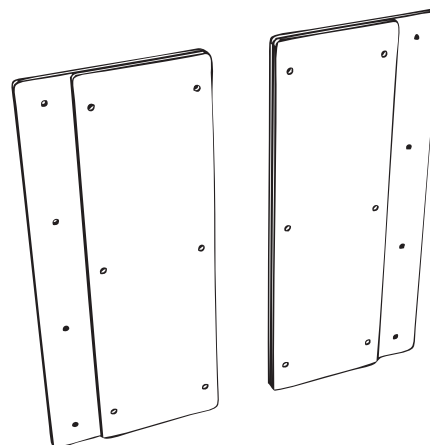
X1 (ZENITH TOWERS STANDARD FLOOR 90x90)



X1 (RAMP ASSEMBLY)



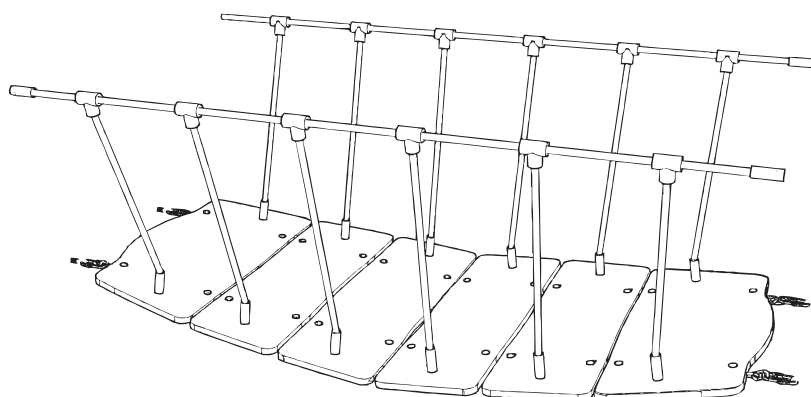
X1 (HEXBOARD RAMP)



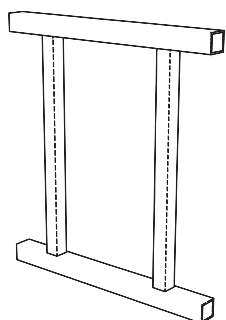
X2 (PLAYTEC BARRIER PANEL - FOR FLAT SIDE TIMBER)

X1 (RAMP ROPE)

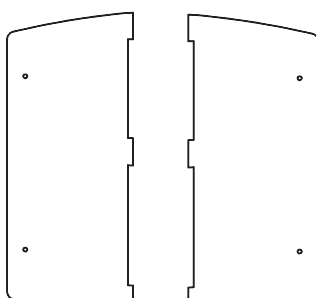
PARTS required



x1 (CLATTERBRIDGE)

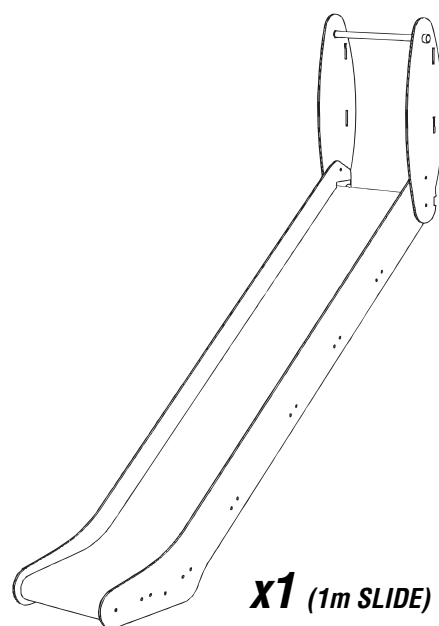


x1 (SLIDE METAL FRAME)

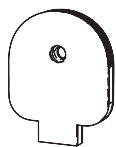


x1 LEFT (SLIDE SIDE)

x1 RIGHT (SLIDE SIDE)



x1 (1m SLIDE)

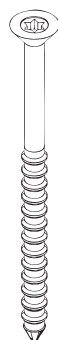


x2 (SLIDE CLIPS)



x14 (M12 x 200 SQUARE CUP HEX BOLTS)

x4 (M12 x 150 SQUARE CUP HEX BOLTS)



x28 (FM80' Brass screws')

x3 (FM40' Brass screws')



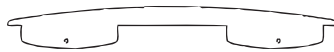
x28 (M12 'NYLOC')

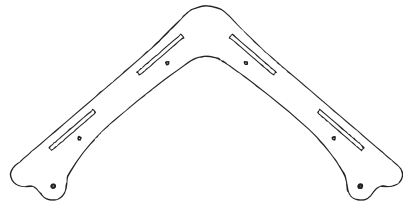


x28 (Covered Ends)

PARTS required (STANDARD ROOF)

 **x8** (ROOF CLIPS)

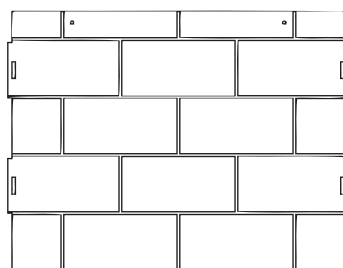
 **x1** (TOP ROOF CLIP)

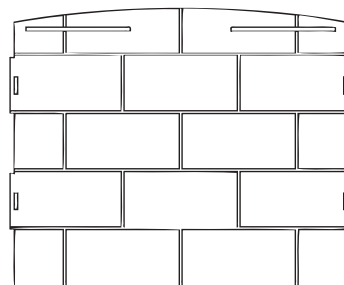
 **x2** (SIDE ROOF)

 **x10** (N1 - TORKTAINER)

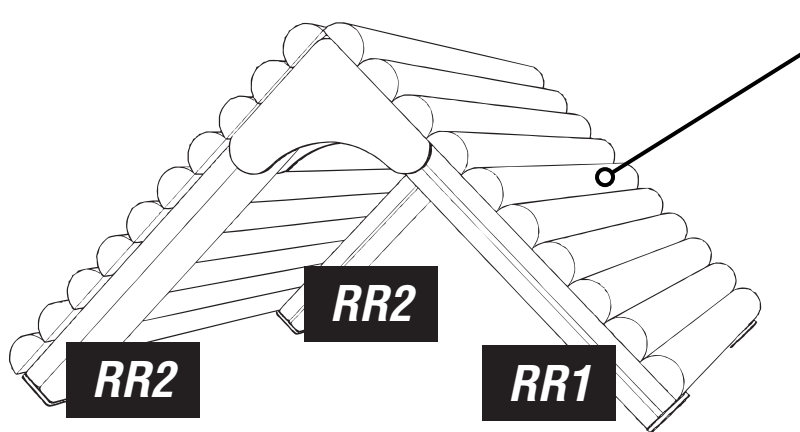
 **x10** (3B - TORKTAINER)

 **x4** (FM80 ' Brass screws')

 **x1** (FRONT ROOF)

 **x1** (BACK ROOF)

PARTS required (RUSTIC ROOF)

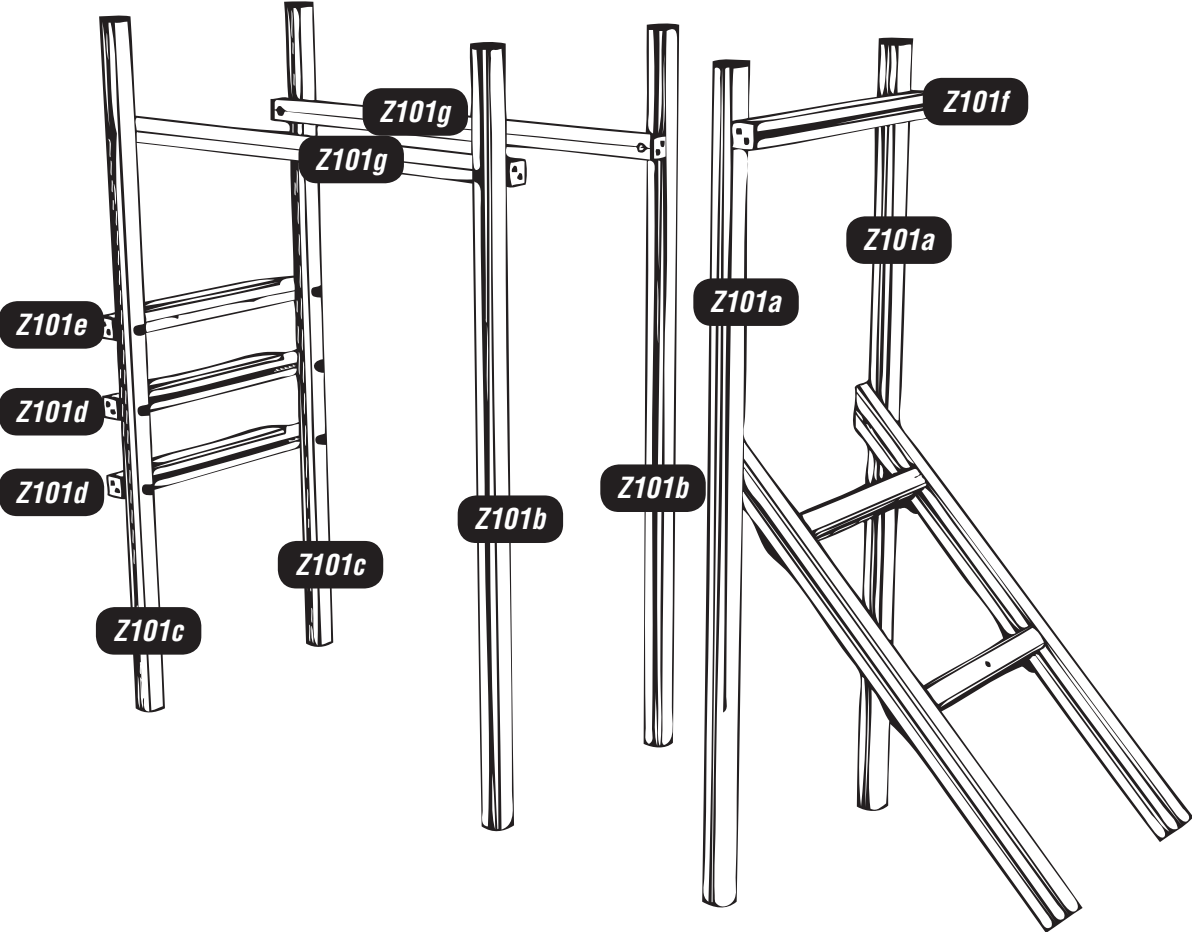
 **RR3** **x20** (HALF ROUND TIMBERS)
RR2 **x2**
RR1 **x2**

 **x64** (FM80 ' Brass screws')

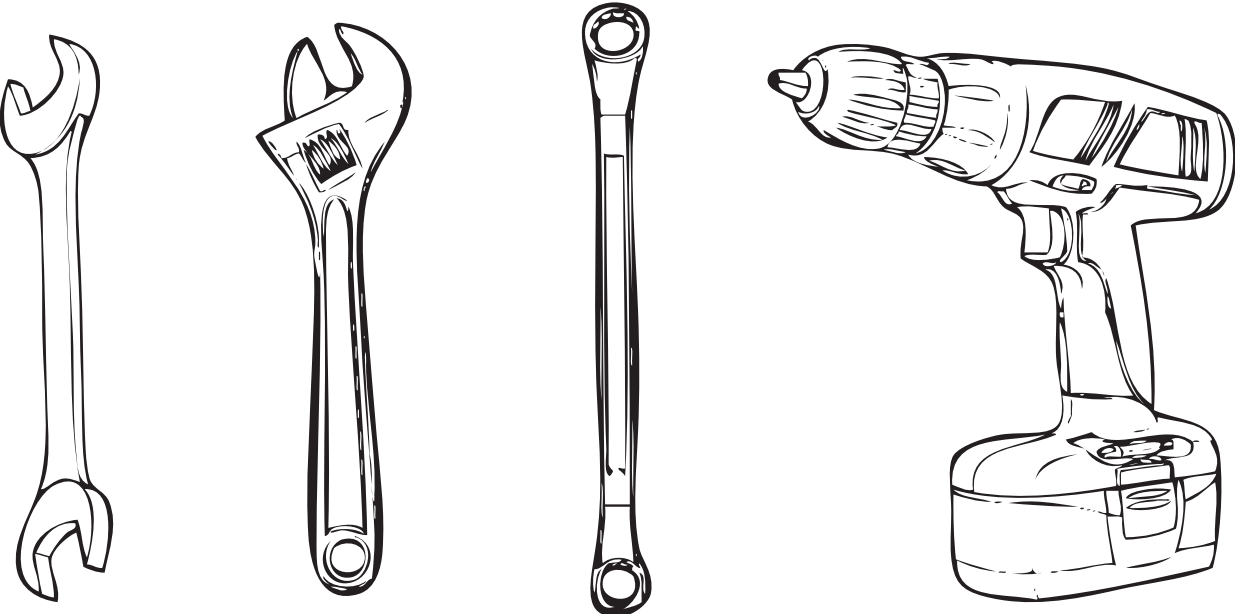
 **x4** (TOP RUSTIC ROOF)

 **x2 LEFT** (SIDES RUSTIC ROOF)
x2 RIGHT (SIDES RUSTIC ROOF)

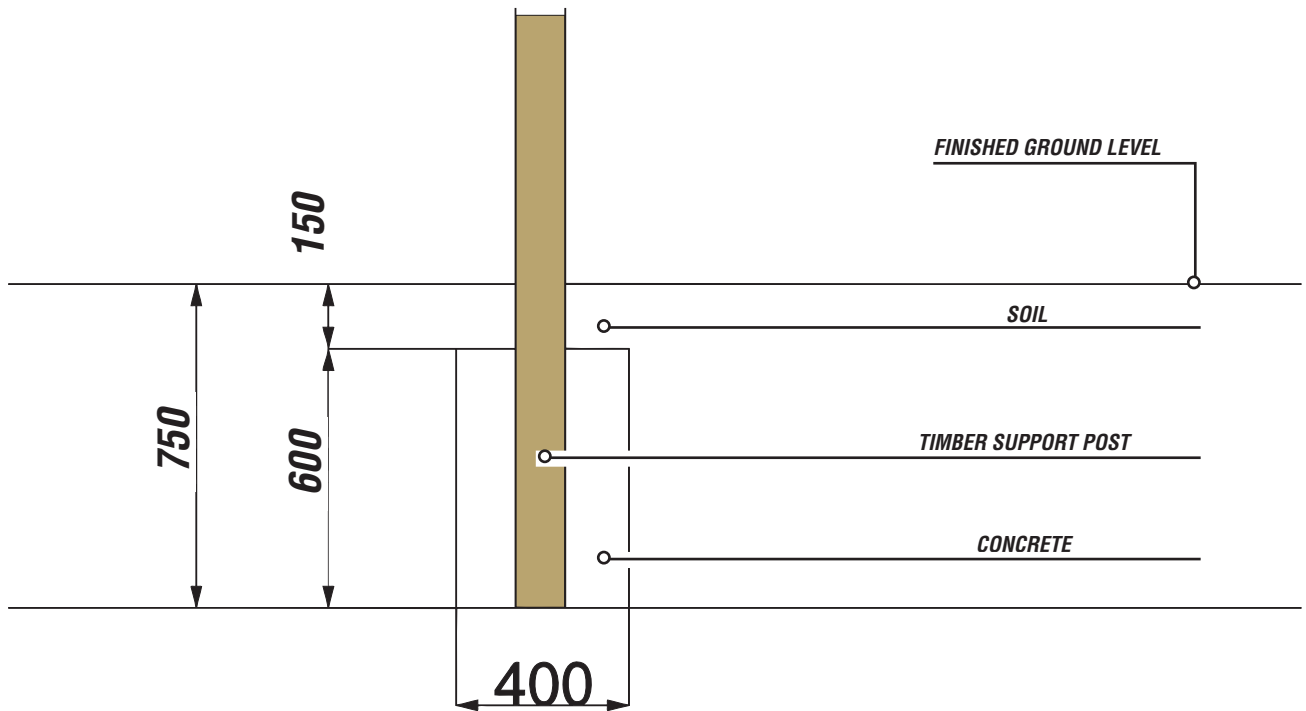
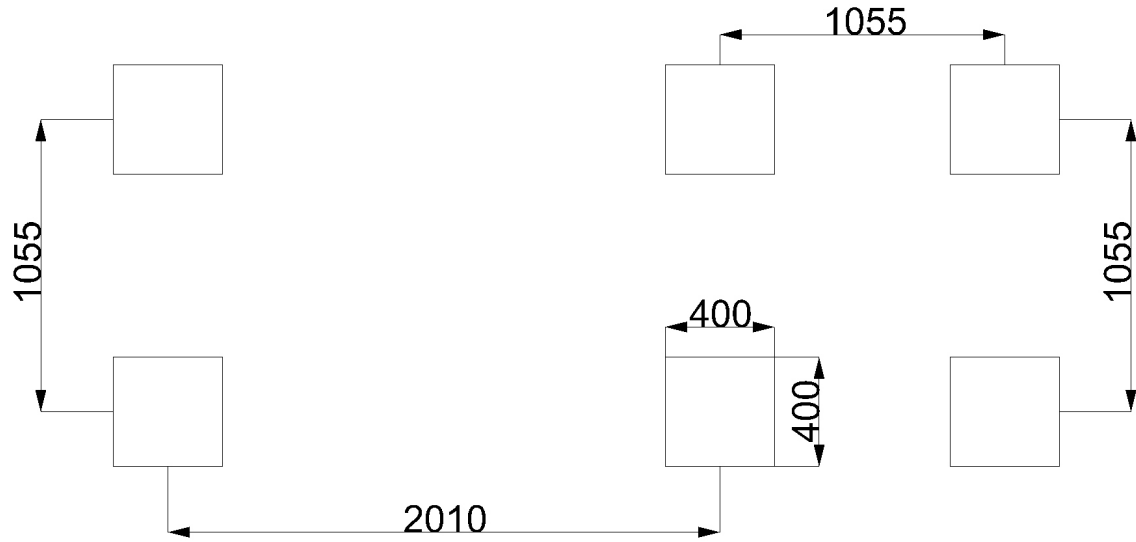
TIMBERS required



TOOLS required

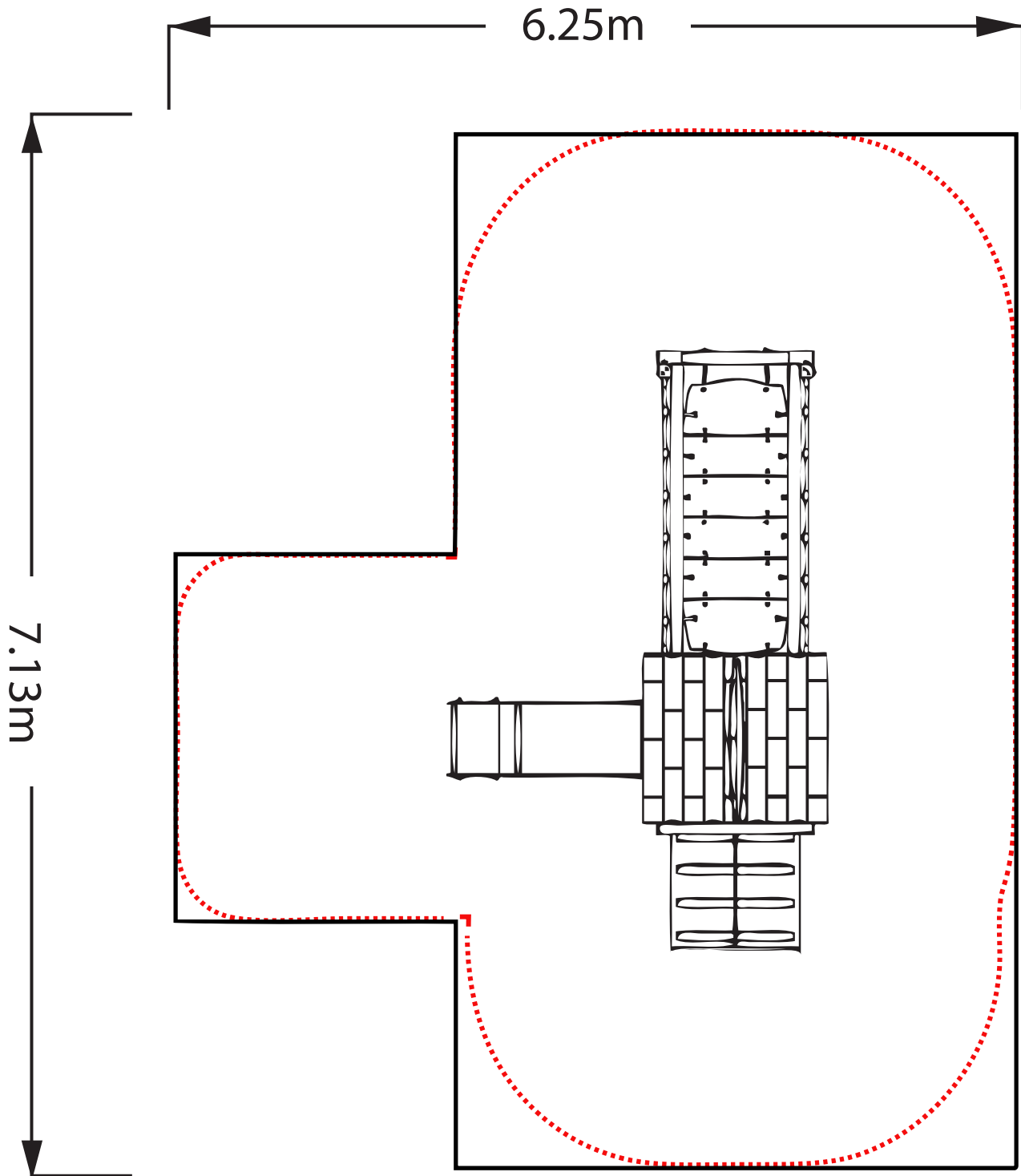


Foundation Details



Surfacing Details

- - - = **MINIMUM SPACE**
- = **SURFACE AREA**

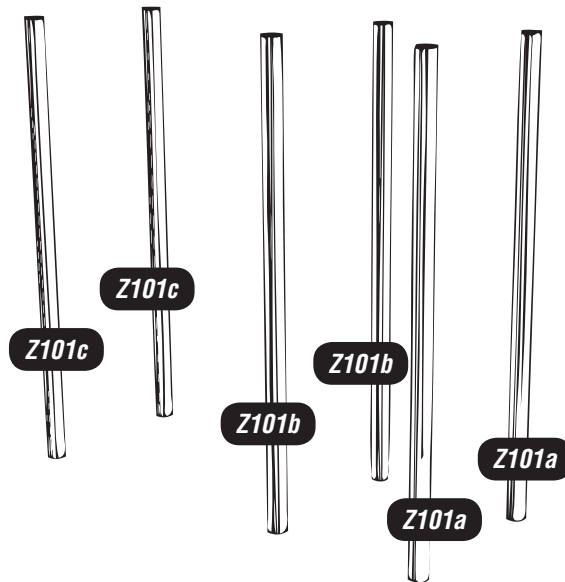


Installation Instructions

1

Install timber UPRIGHTS

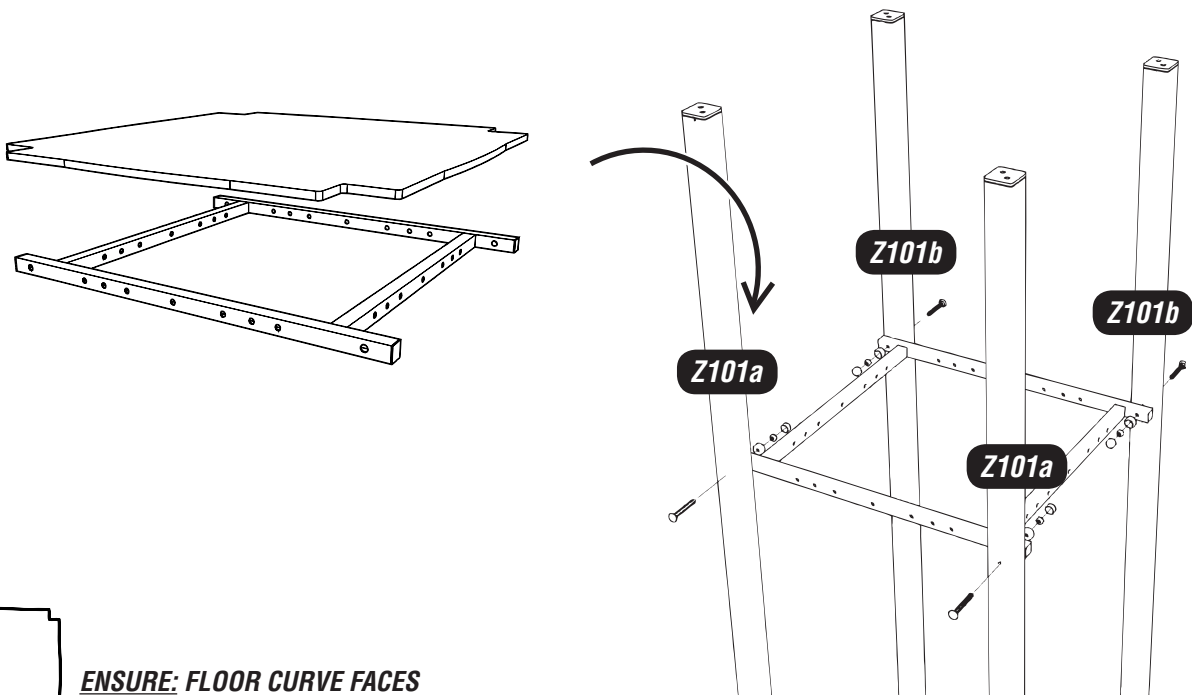
Follow foundation details



2

ATTACH METAL FLOOR FRAME AND HEX FLOOR

Using 4x150mm M12 SQUARE CUP HEX BOLTS/ 4x Nylocs / 4x RED CAPS



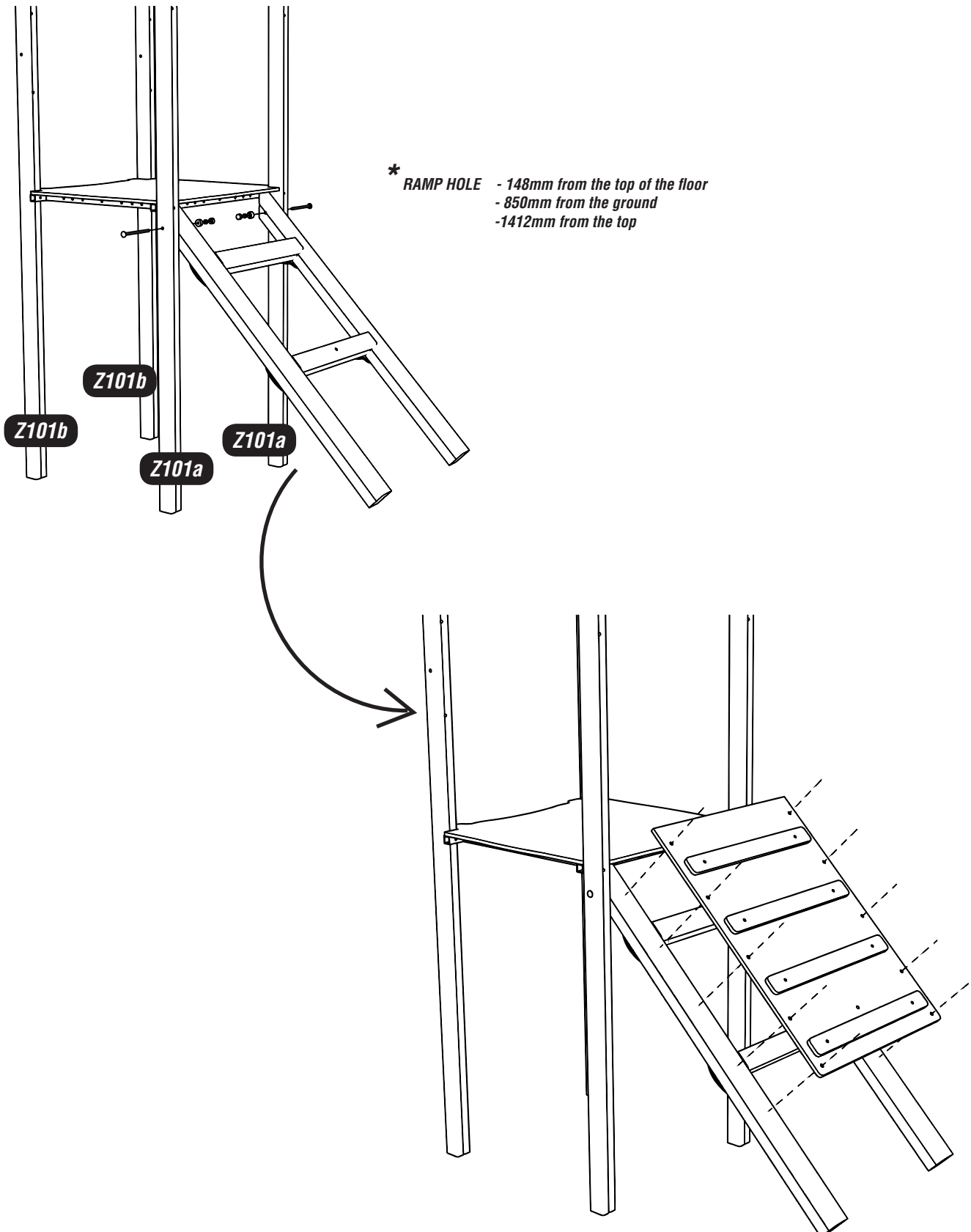
**ENSURE: FLOOR CURVE FACES
CLATTERBRIDGE**

Installation Instructions

3

Attach the RAMP to Z101a TIMBERS

Using 2x @200mm M12 SQUARE CUP HEX BOLTS / 2x NYLOCS / 2x RED CAPS / 10x FM80 Brass Screws

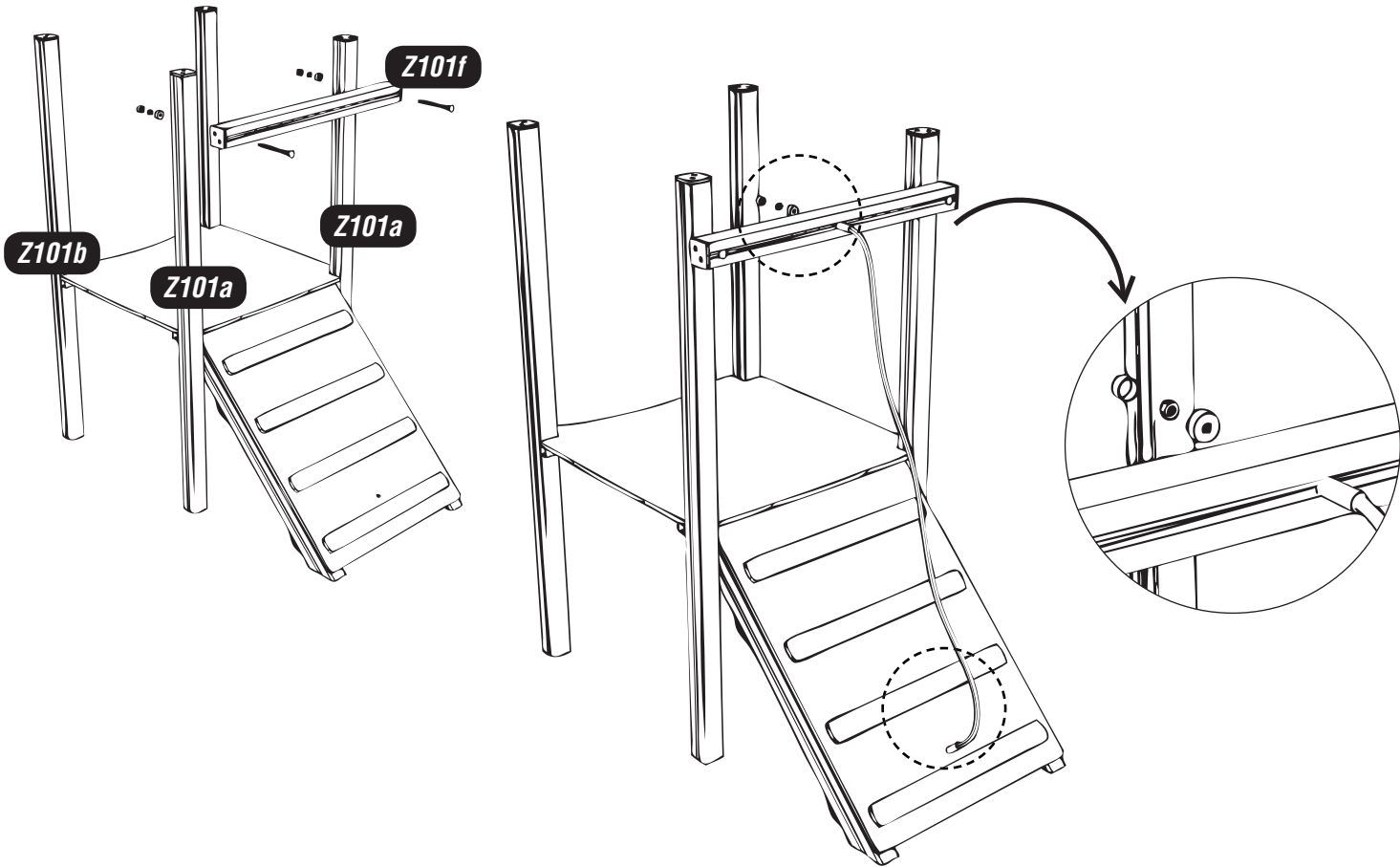


Installation Instructions

4

Attach **TIMBER Z101e** and **RAMP ROPE**

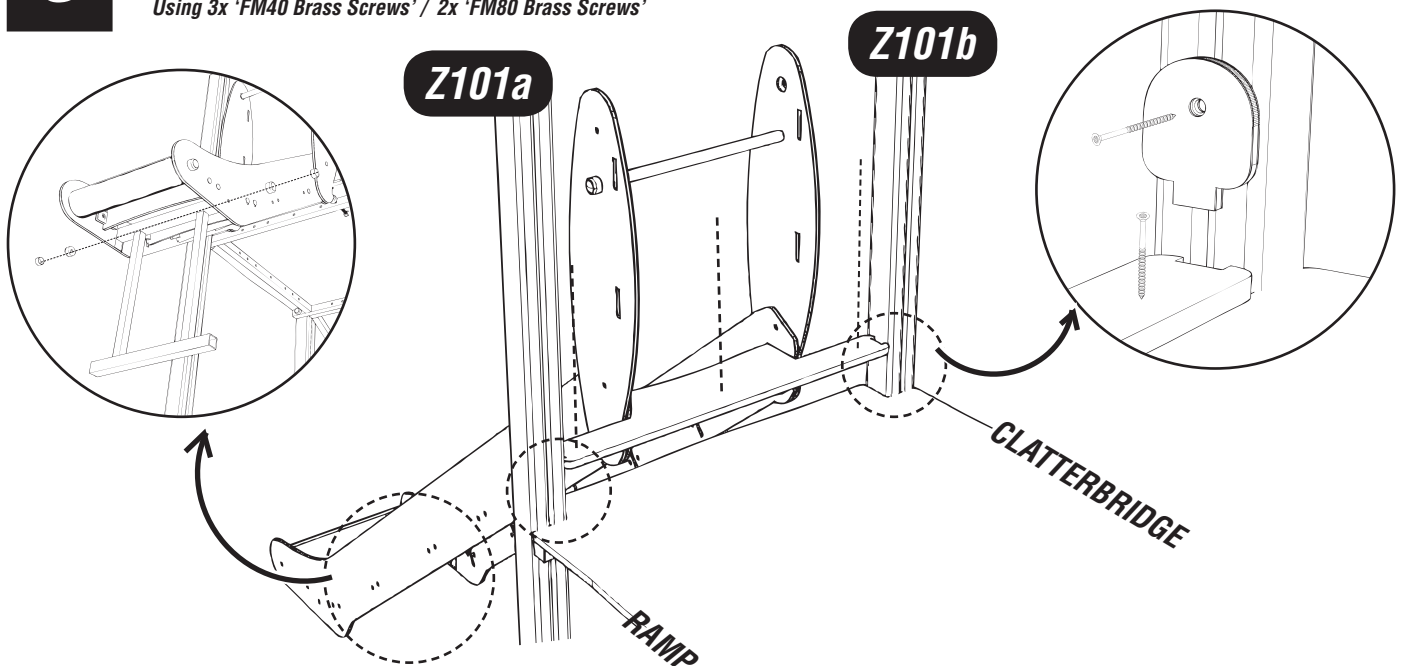
Using 2x 200mm M12 CUP SQ. HEX / 2 X M12 NYLOCS / 2 X COVERED ENDS - RAMP PULL TIMBER
2x NYLOCS / 2x COVERED ENDS - RAMP ROPE



5

Attach the **SLIDE** to **TIMBERS Z101a/b** and the **HEXBOARD FLOOR**

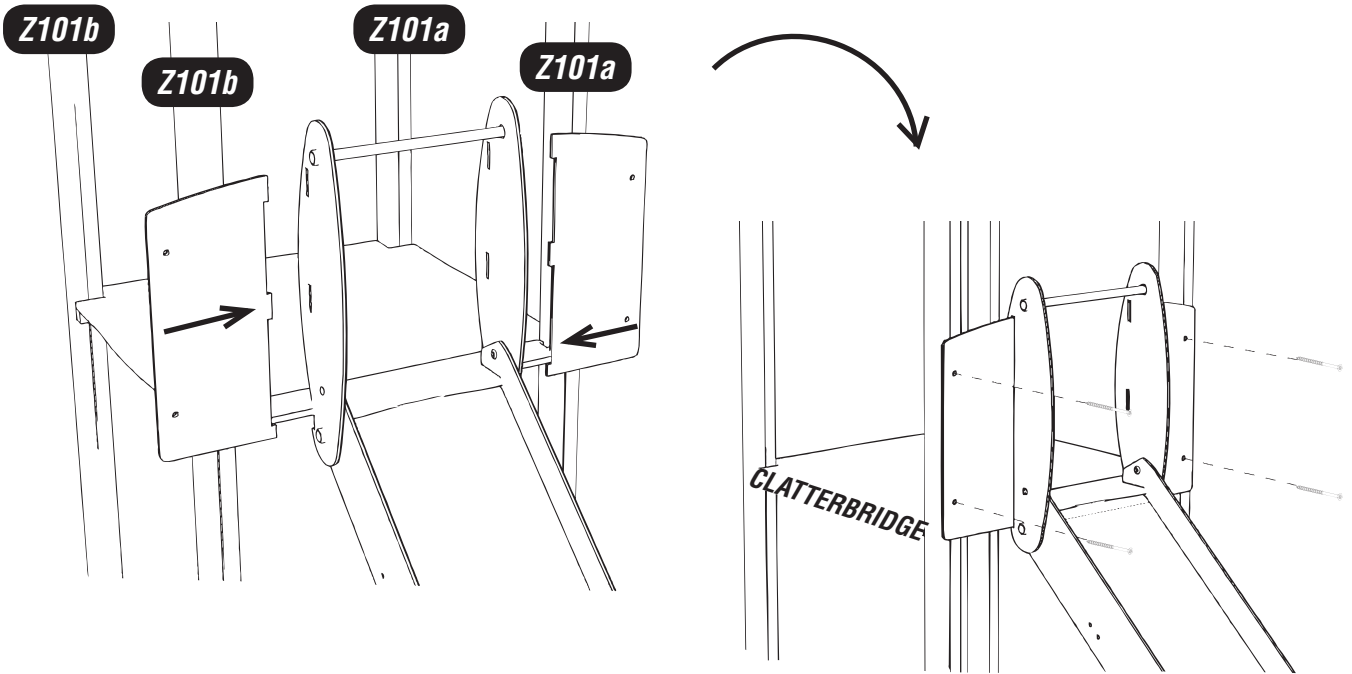
Using 3x 'FM40 Brass Screws' / 2x 'FM80 Brass Screws'



Installation Instructions

6

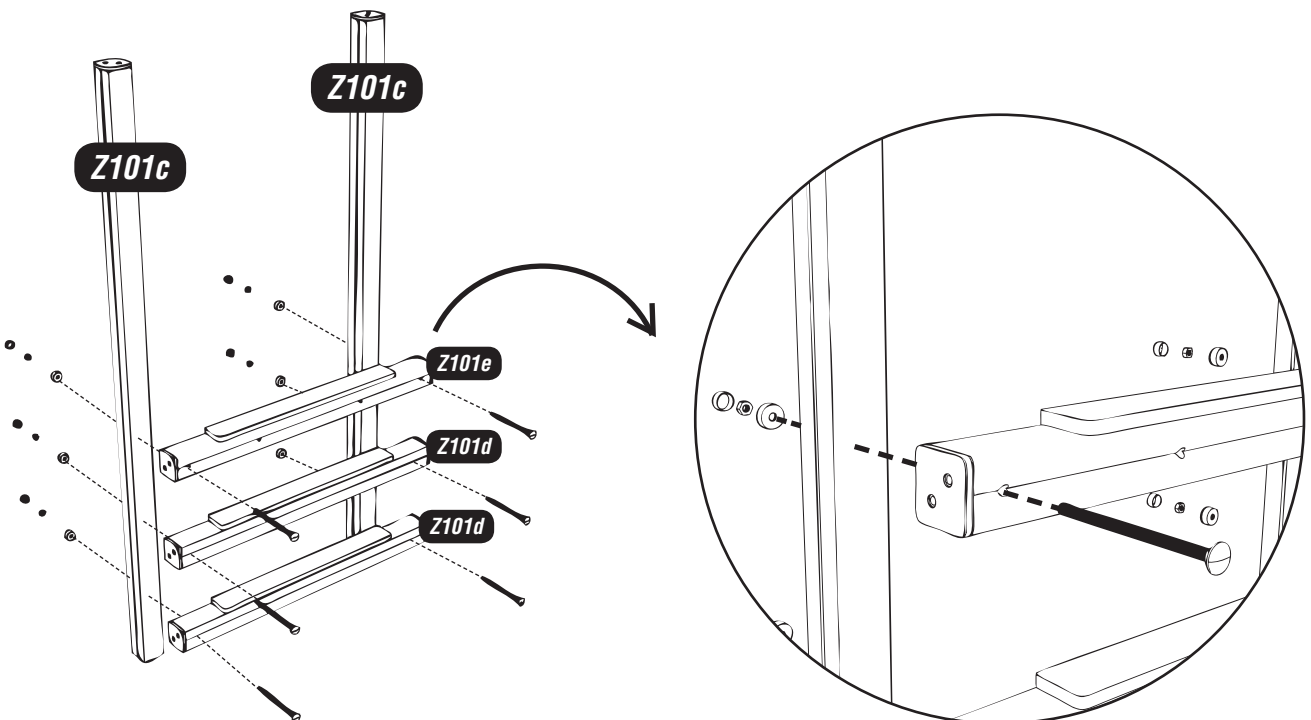
Insert the SLIDE SIDES to the SLIDE and to the timbers
USING 4x 'FM80 Brass Screws'



7

ATTACH TIMBERS Z101d/e to Z101c

Using 6x @200mm M12 SQUARE CUP HEX BOLTS / 6x NYLOCS / 6x COVERED ENDS



Installation Instructions

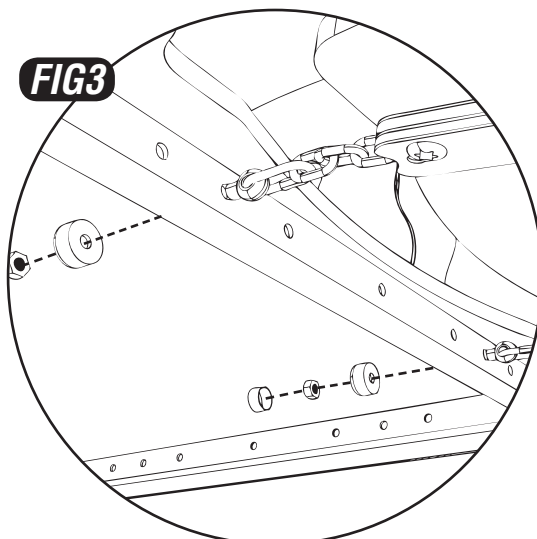
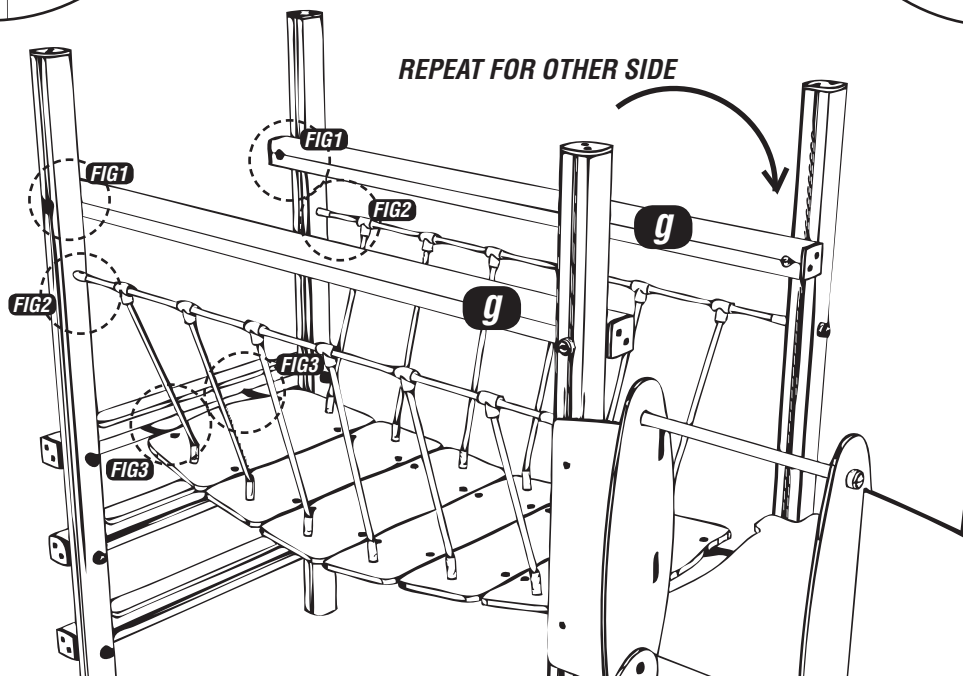
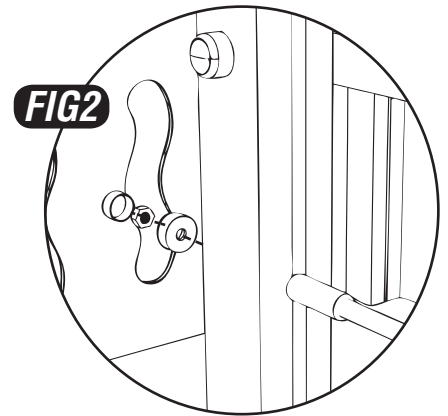
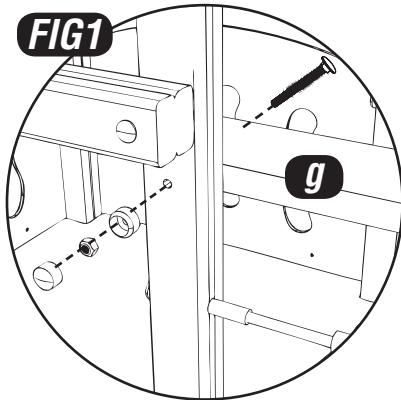
8

ATTACH the CLATTERBRIDGE and TIMBERS Z101g

Fig1 - ATTACH Z101g TIMBERS USING 4 X M12 X 200 CUP SQUARE BOLTS / 4 X M12 NYLOCS / 4 X COVERED ENDS

Fig2 - ATTACH ROPES USING 4 X M12 NYLOCS / 4 X COVERED ENDS

Fig3 - ATTACH CLATTERBRIDGE CHAIN USING 4 X M12 NYLOCS / 4 X COVERED ENDS

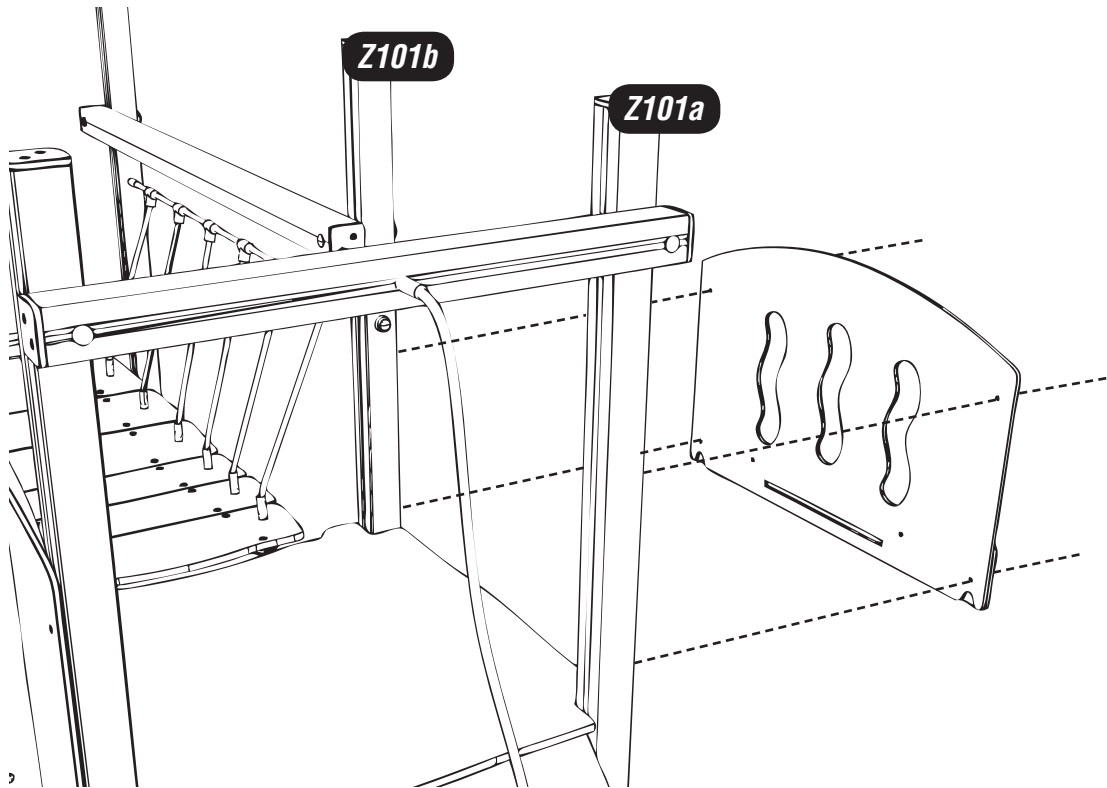


Installation Instructions

9

ATTACH SIDE PANEL TO Z101a/b

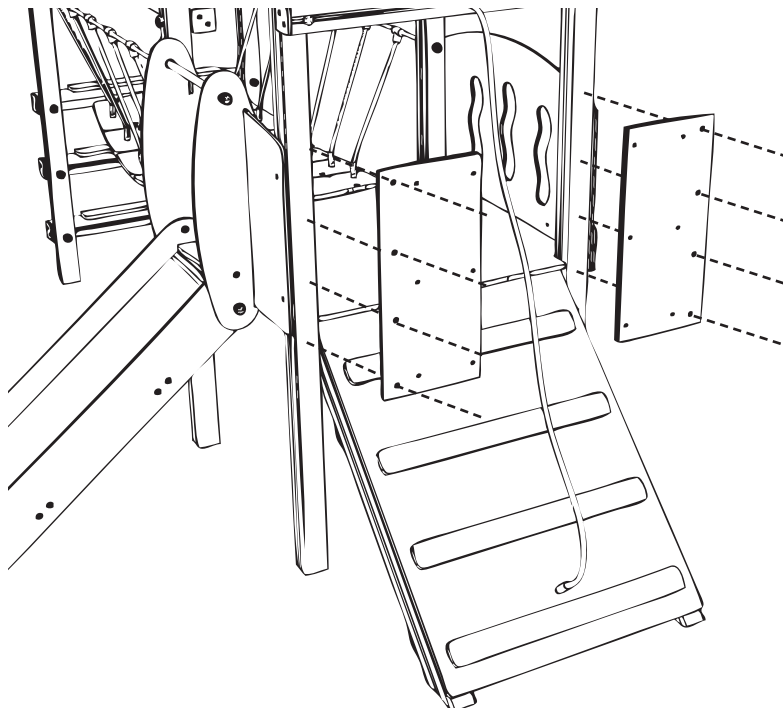
USING FM80 BRASS WOOD SCREWS



10

ATTACH RAMP SIDES TO Z101a TIMBERS

USING FM80 BRASS WOOD SCREWS

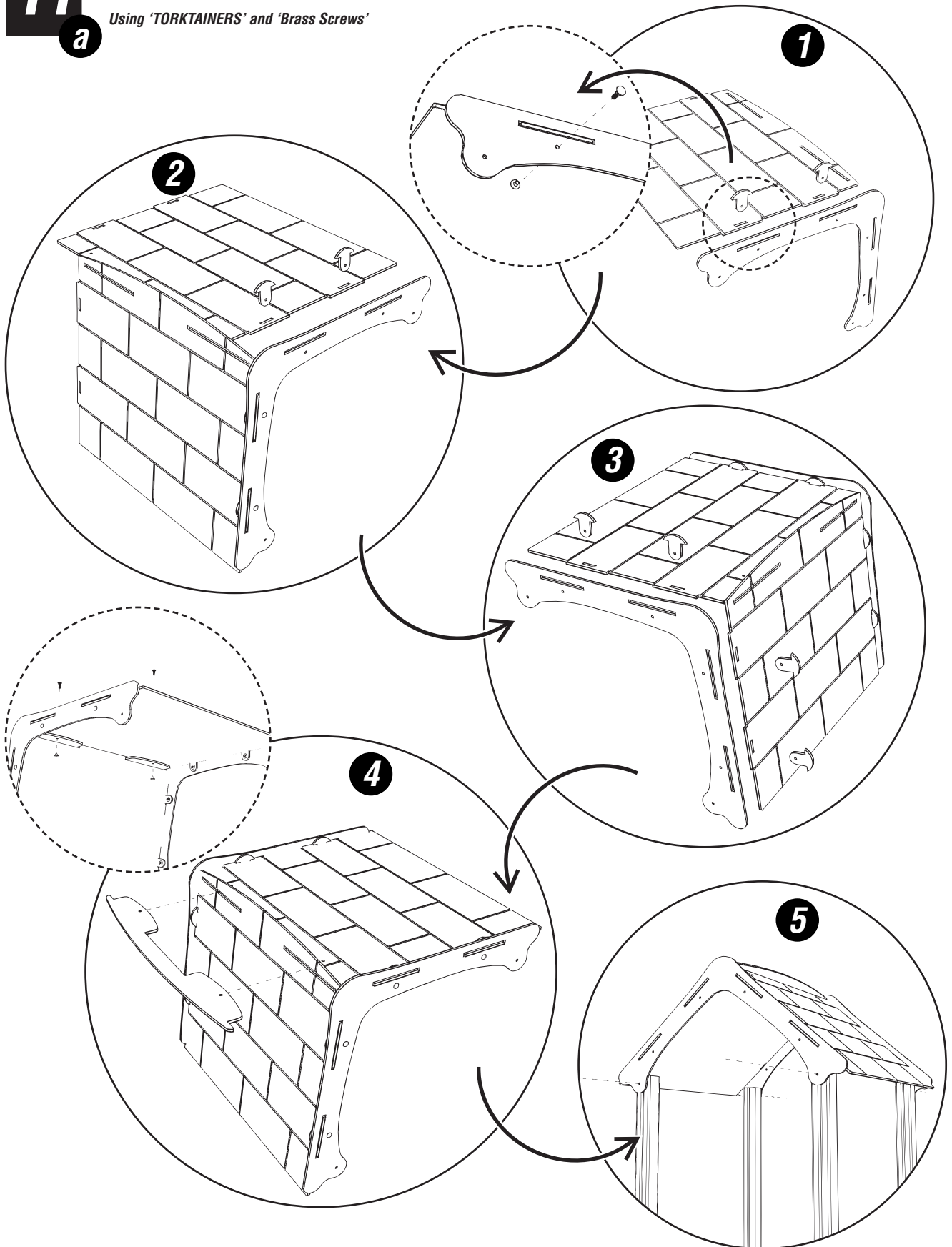


Installation Instructions

11 Attach the roof Parts (NORMAL ROOF)

a

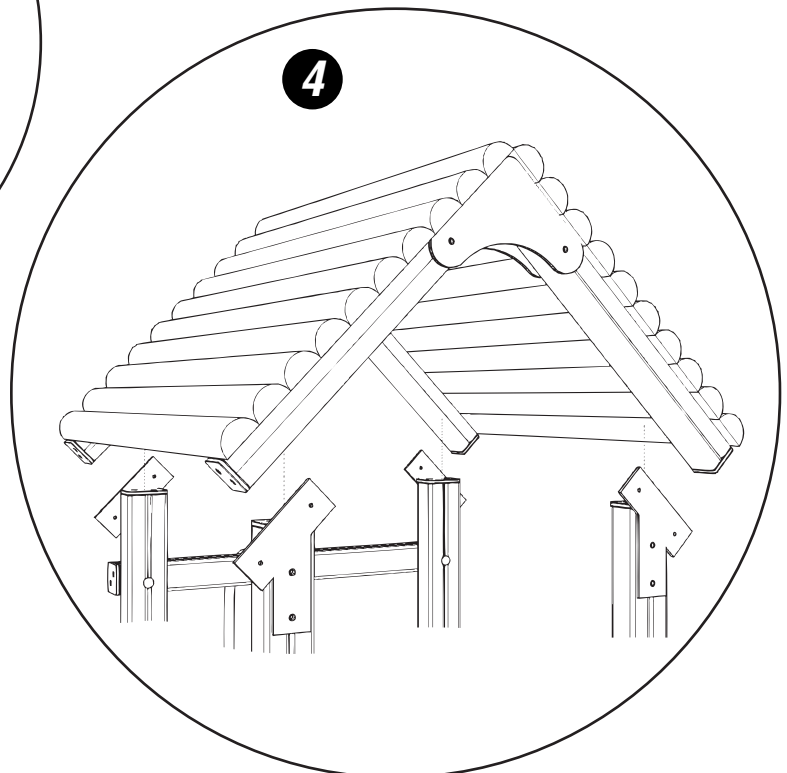
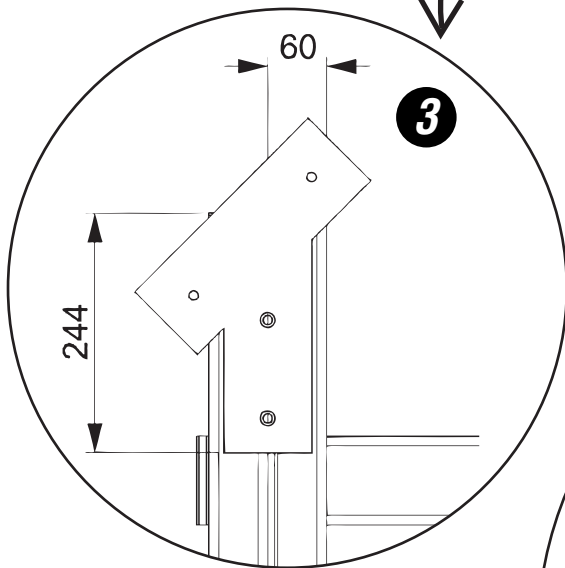
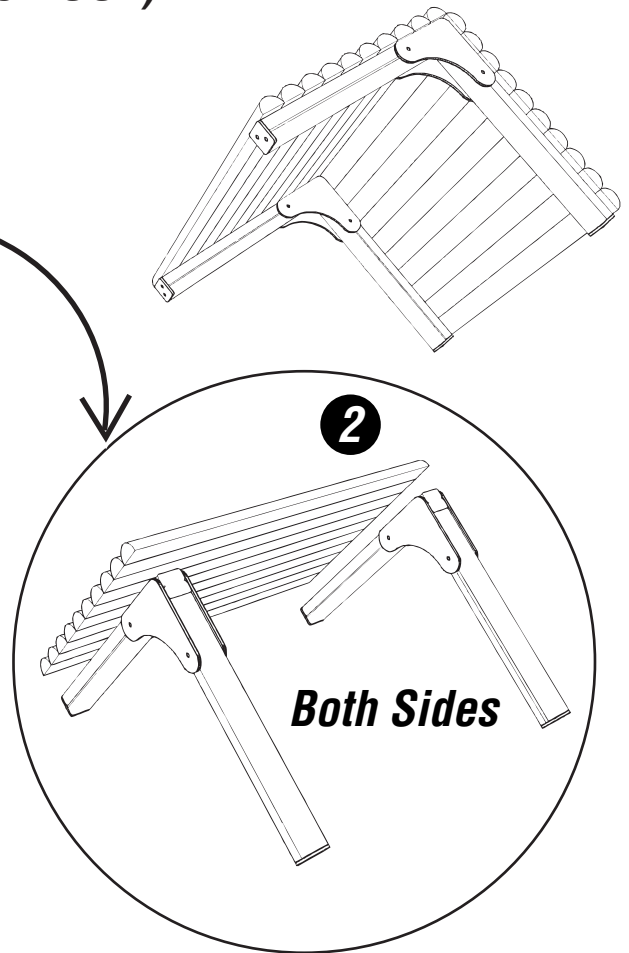
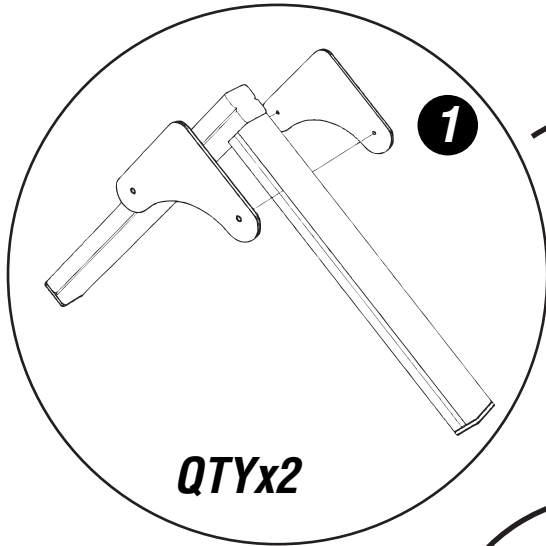
Using 'TORKTAINERS' and 'Brass Screws'



Installation Instructions

11 Attach the roof Parts (RUSTIC ROOF) *Using 'Brass Screws'*

b



Additional Dimensions

