

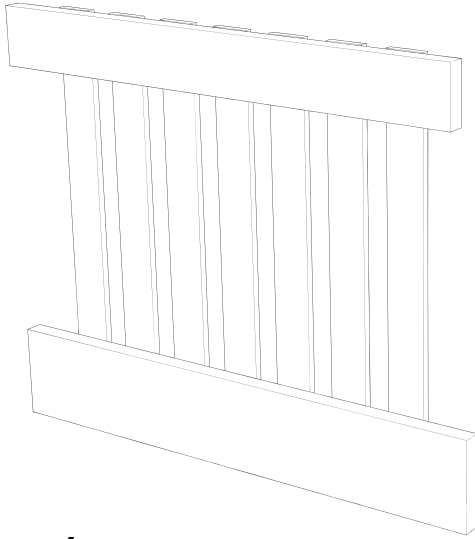
# **GREENWOOD**

## ***Installation Instructions***

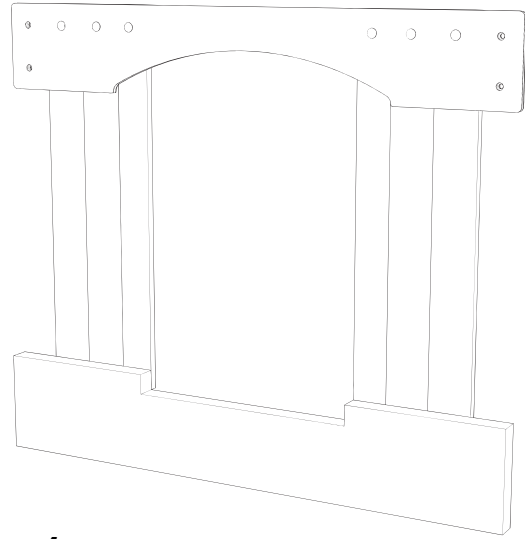


# ***PARTS required***

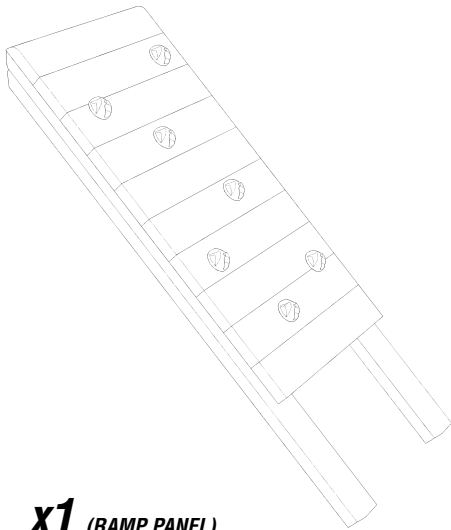
---



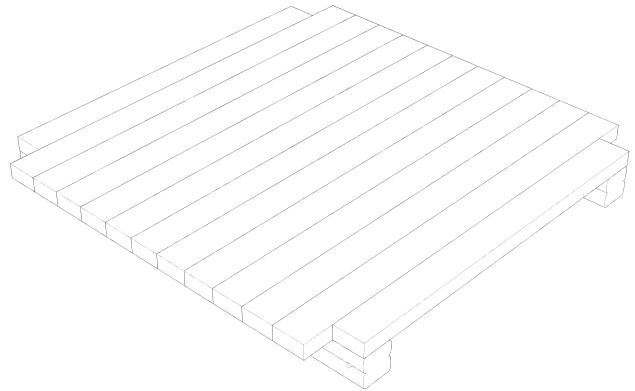
**x1** (PLANE FACE SIDE PANEL)  
**x1** (GROOVED FACE SIDE PANEL)



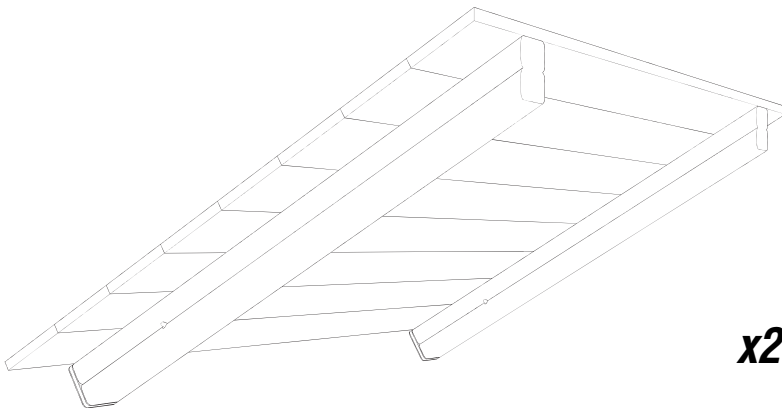
**x1** (SLIDE SIDE PANEL)  
**x1** (RAMP SIDE PANEL)



**x1** (RAMP PANEL)

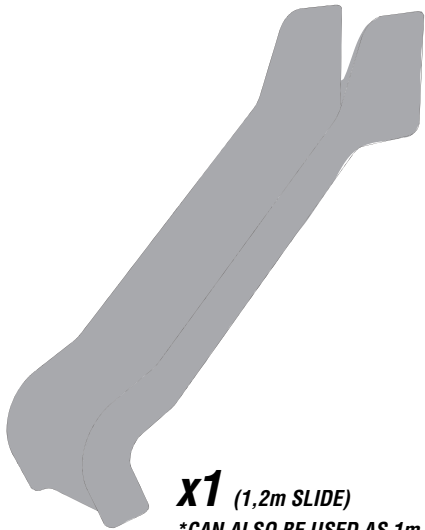


**x1** (FLOOR PANEL)

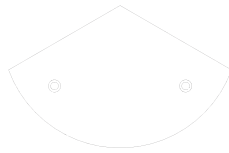


**x2** (ROOF PANEL)

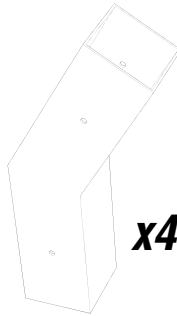
# PARTS required



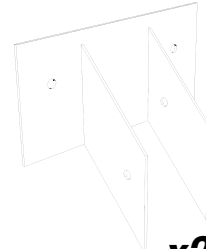
**x1** (1,2m SLIDE)  
\*CAN ALSO BE USED AS 1m SLIDE



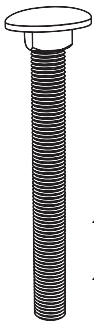
**x2** (ROOF INSIDE PLAYTEC 120°)  
**x2** (ROOF OUTSIDE PLAYTEC 120°)



**x4** (WOODLANDER  
ROOF BRACKET150°)



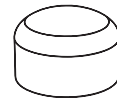
**x2** (WOODLANDER  
RAMP BRACKET)



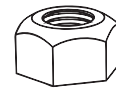
**x4** (M12 x 200 SQUARE CUP HEX BOLTS)  
**x4** (M12 x 170 SQUARE CUP HEX BOLTS)



**x8** (FM40 'Brass screws')  
**x56** (FM80 'Brass screws')

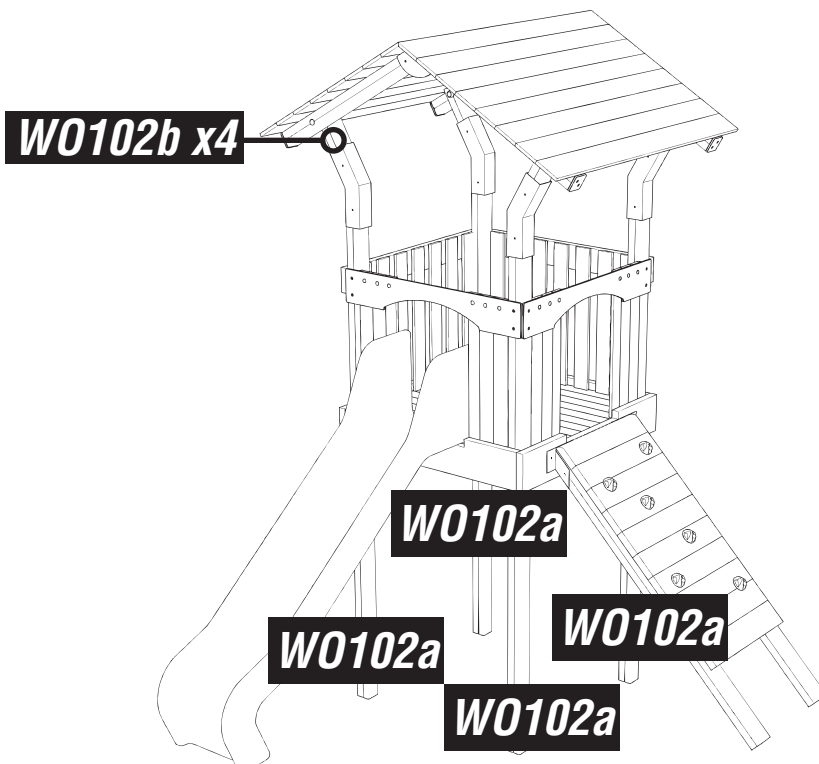


**x4** (END CAPS)



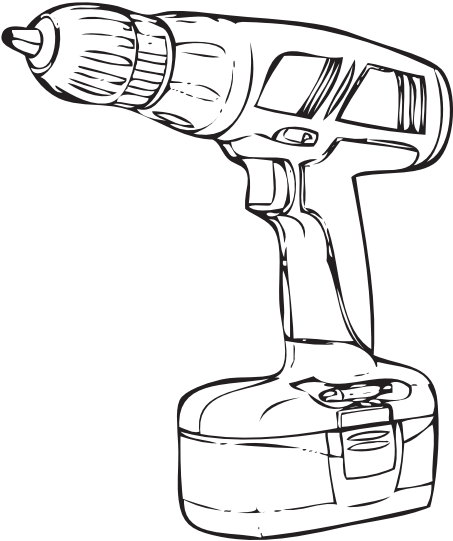
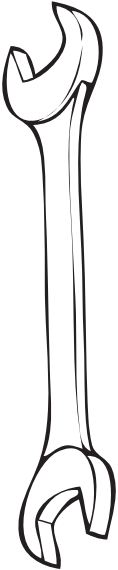
**x8** (M12 'NYLOC')

# TIMBERS required

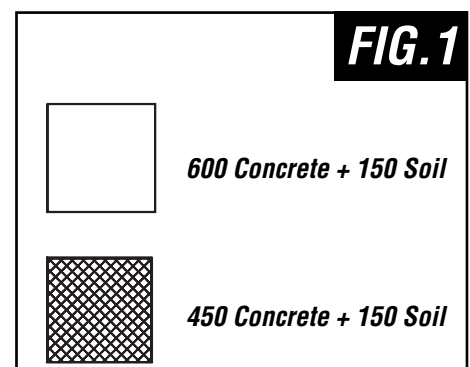
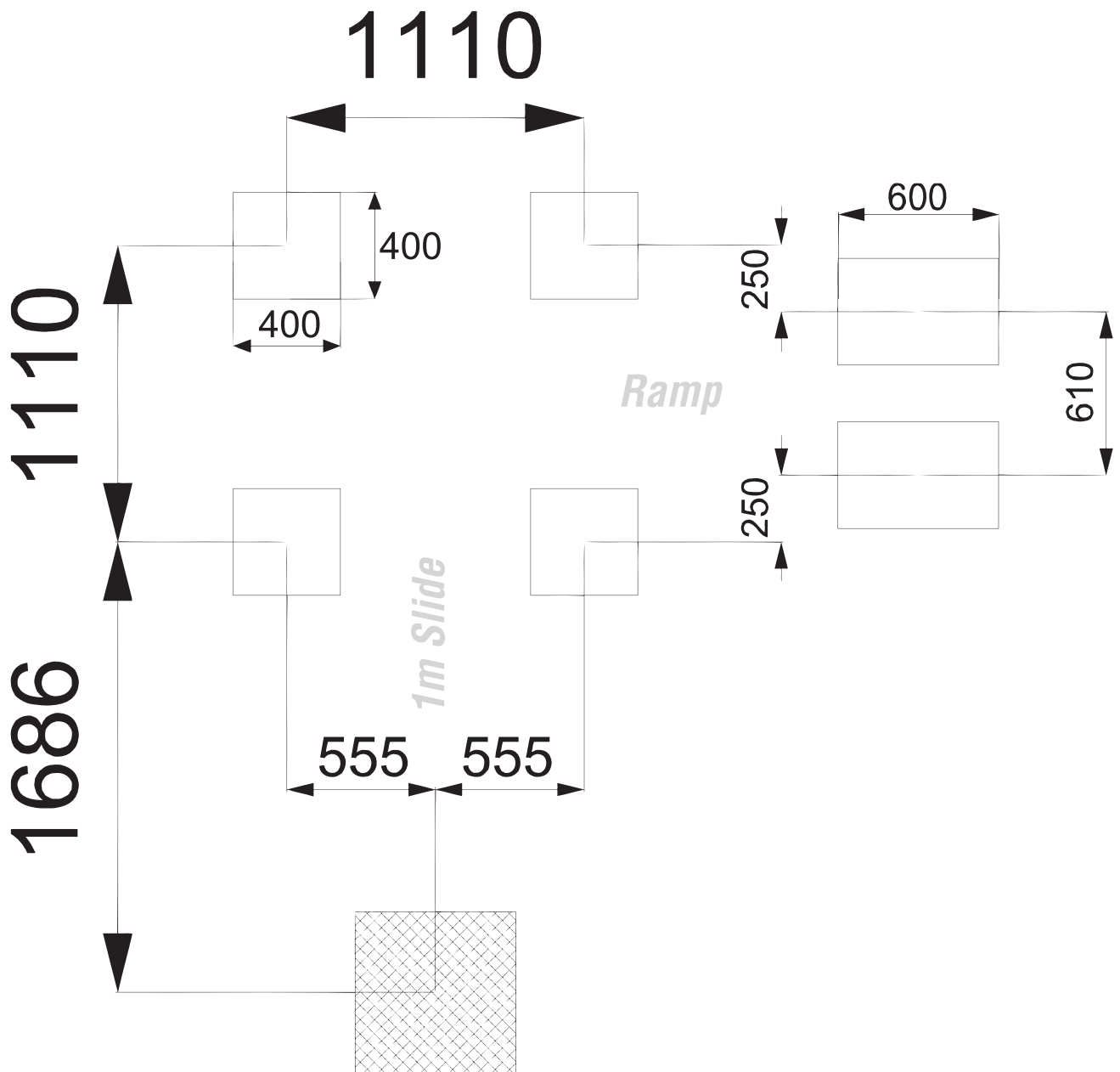


# ***TOOLS required***

---

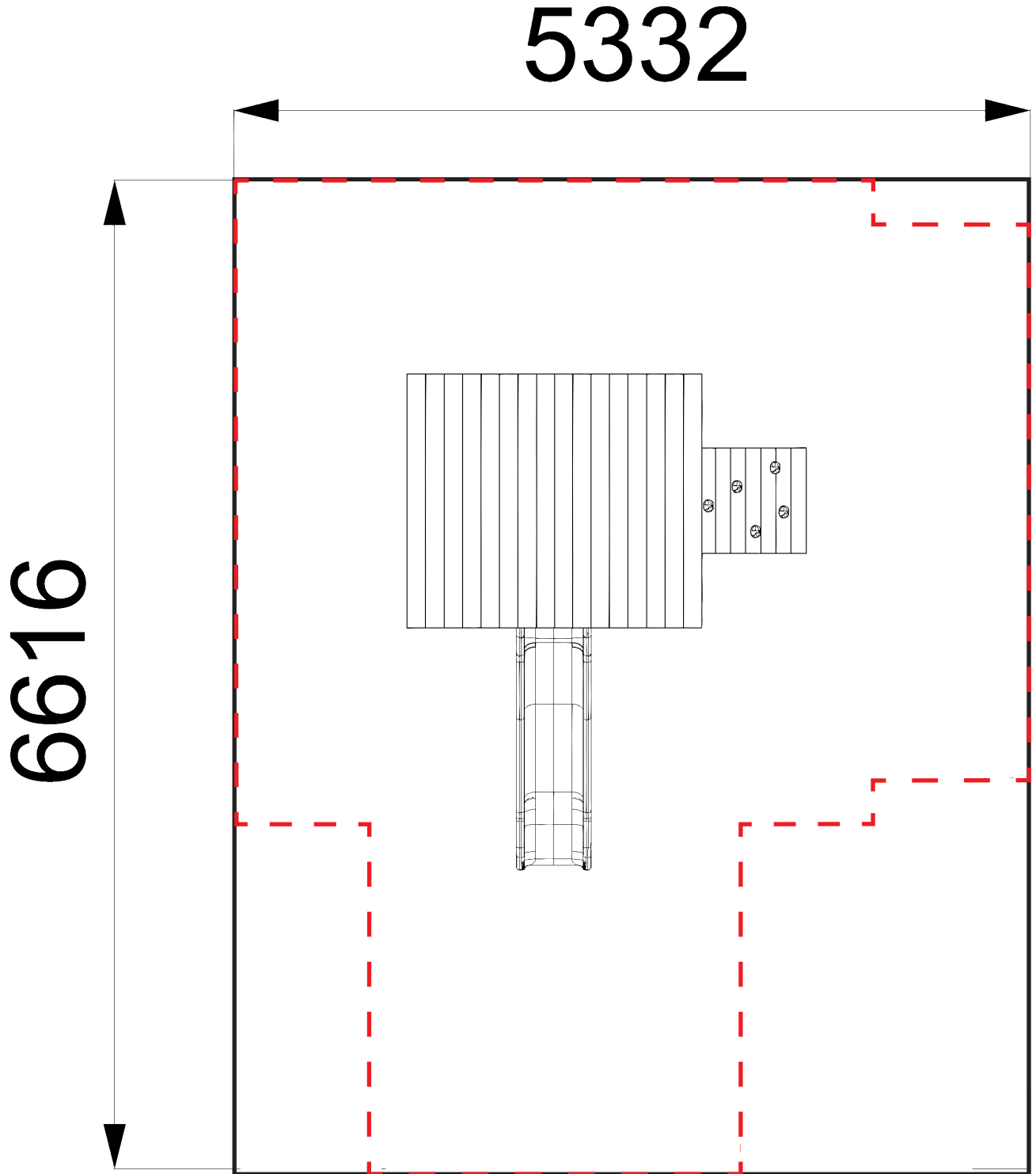


# Foundation Details



# Surfacing Details

- - - - = MINIMUM SPACE
- = SURFACE AREA

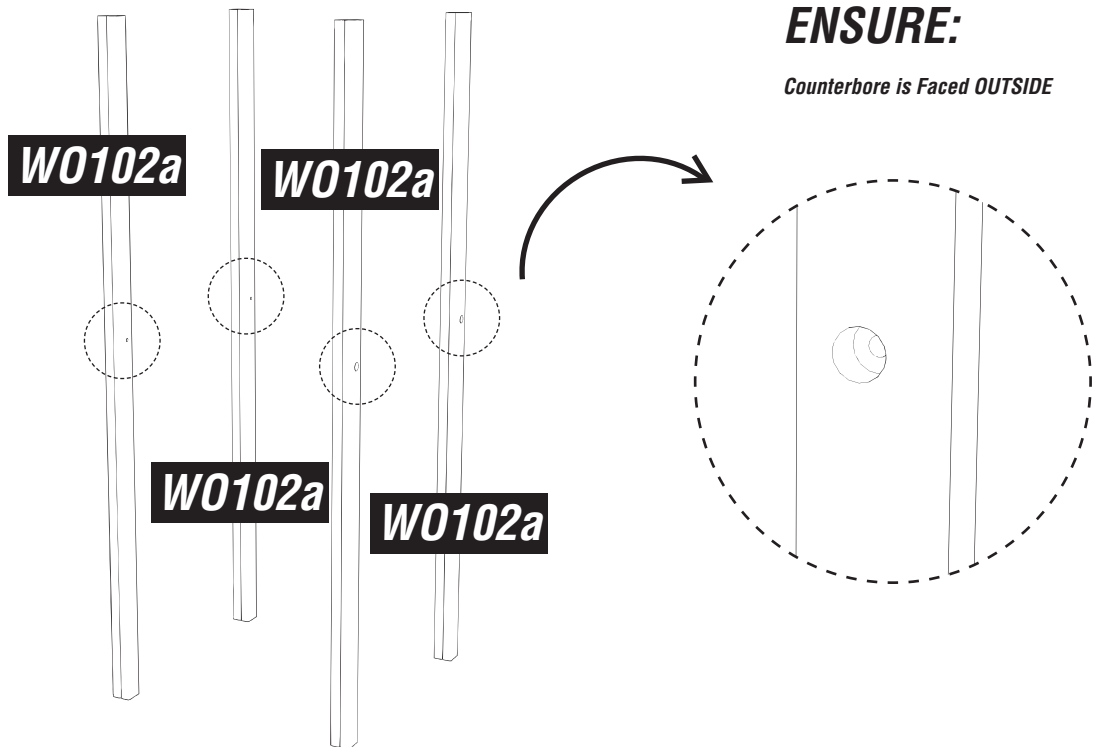


# Installation Instructions

**1**

## Install the timbers W0102a

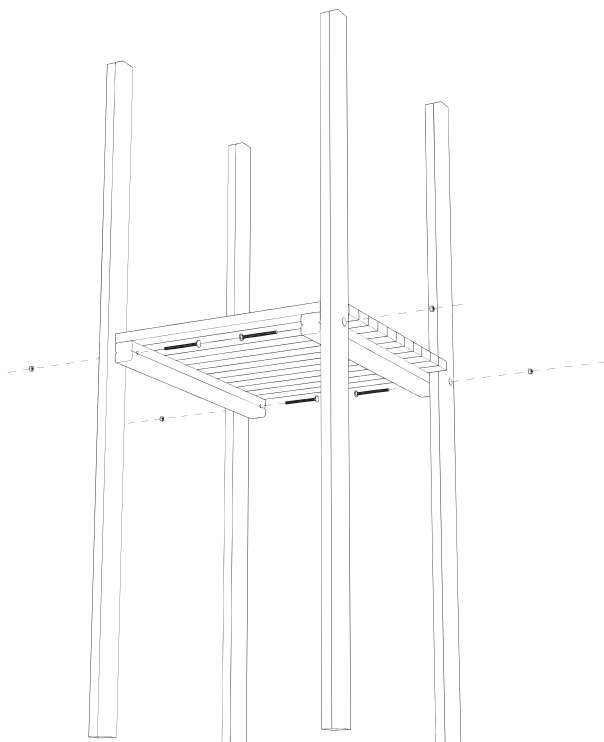
Follow foundation details



**2**

## Attach the PRE-ATTACHED FLOOR to the timbers W0102a

Using (4x 170mm) SQUARE CUP HEX BOLTS/ 6x NYLOCS

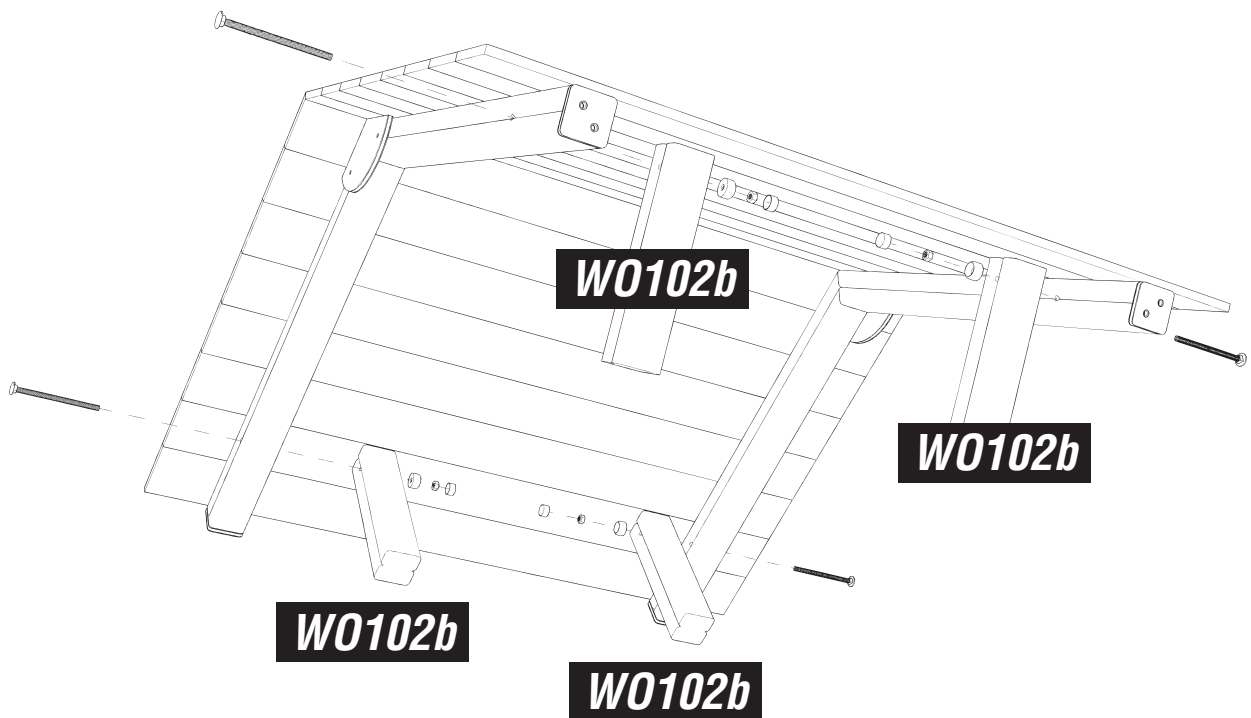
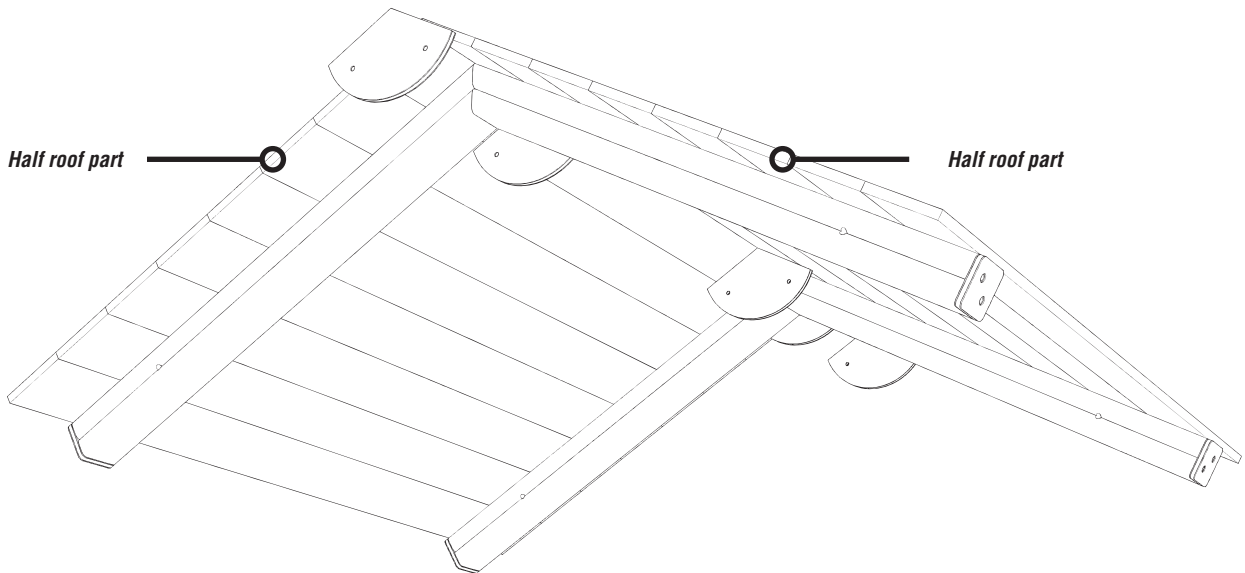


# Installation Instructions

**3**

## Attach the PRE-ASSEMBLED HALF ROOFS

Using 4x 200mm SQUARE CUP HEX BOLTS/4x NUTS / 4x RED CAPS and 8x 'FM80 Brass Screws'



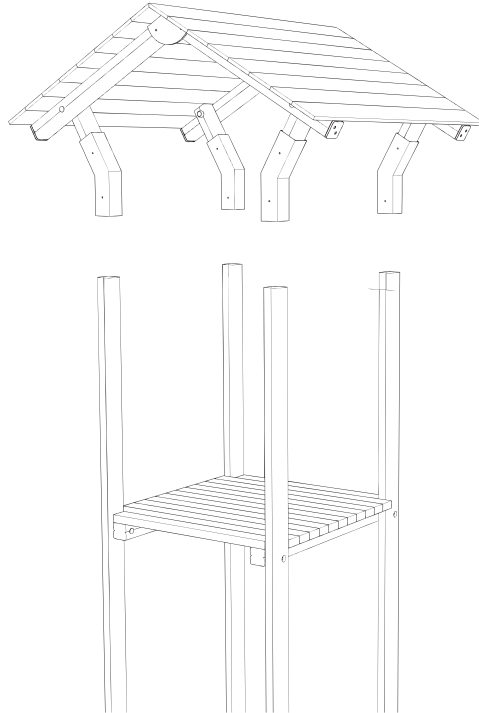


# Installation Instructions

**4**

## Attach the ROOF to the TIMBERS WO102a

Using 16x 'FM80 Brass Screws' and ROOF METAL BRACKETS

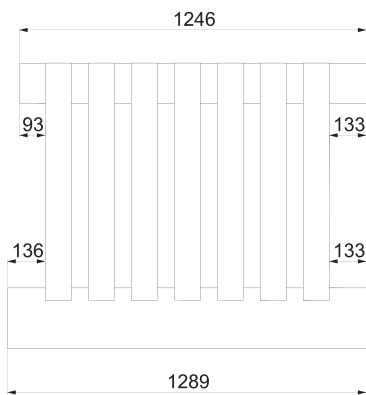


**5**

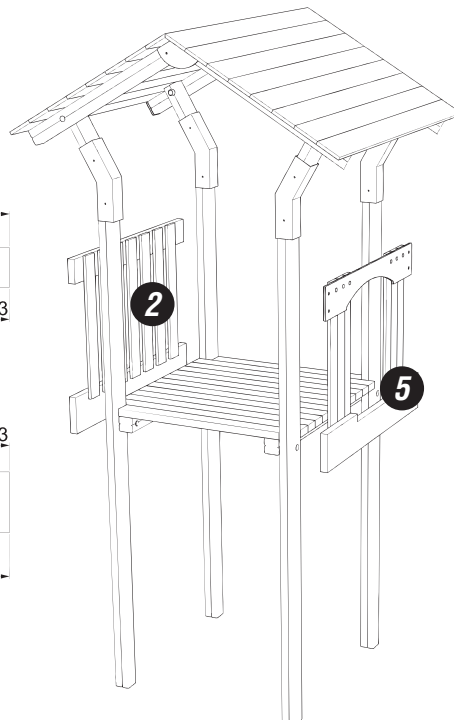
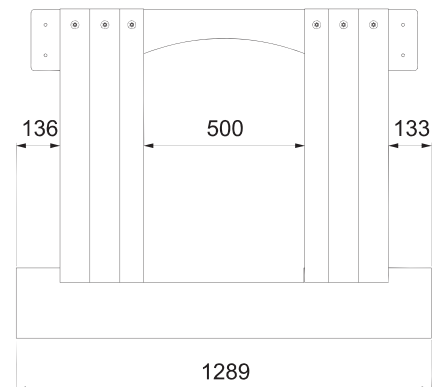
## Attach PLANE FACE SIDE PANEL and RAMP PANEL to the TIMBERS WO102a

Using 14x 'FM80 Brass Screws'

### 2 PLANE FACE PANEL



### RAMP PANEL 5



### ENSURE:

VERTICAL SLATS ARE FITTED ON TOP OF THE PLATFORM

# Installation Instructions

**ENSURE:**

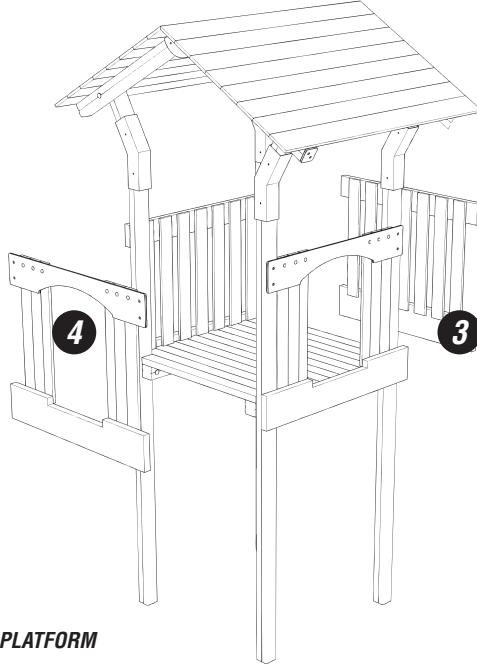
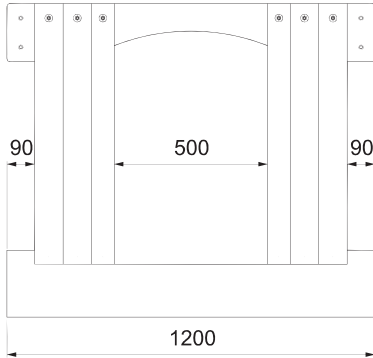
VERTICAL SLATS ARE FITTED ON TOP OF THE FLOOR

**6**

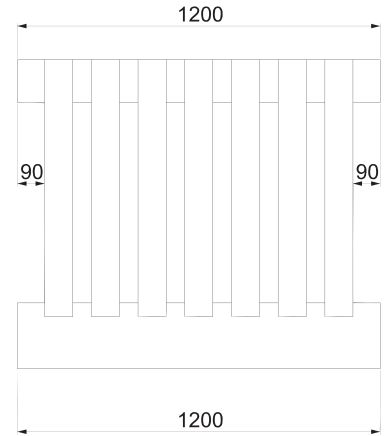
## Attach GROOVED FACE SIDE PANEL and SLIDE PANEL to the TIMBERS W0102a

Using 14x 'FM80 Brass Screws'

### 4 SLIDE PANEL



### GROOVED FACE PANEL 3



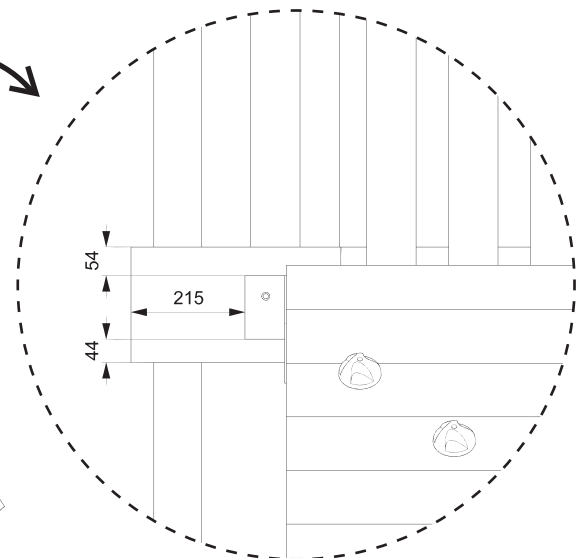
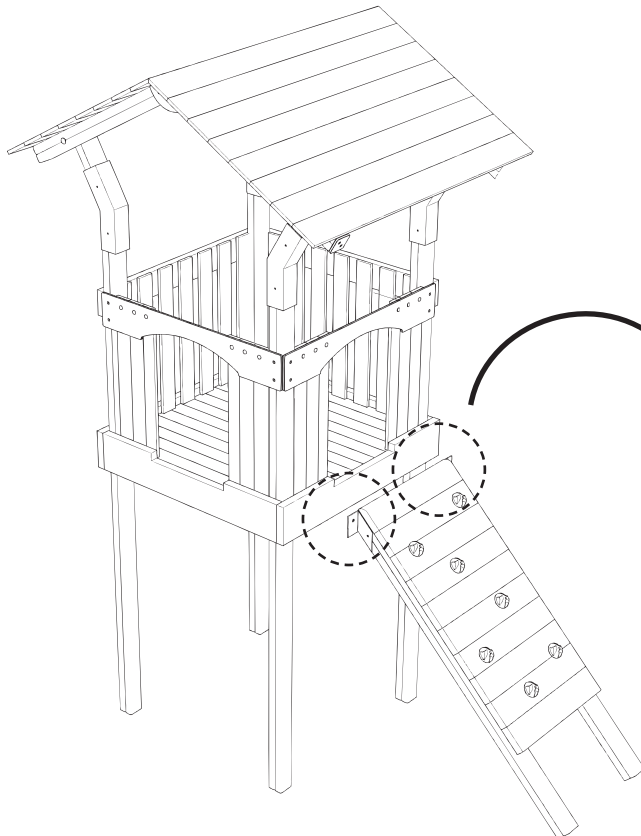
**ENSURE:**

VERTICAL SLATS ARE FITTED ON TOP OF THE PLATFORM

**7**

## Attach the RAMP to the TIMBERS W0102a

Using 4x "FM40 Brass Screws" 4x "FM80 Brass Screws" 2x Ramp Brackets



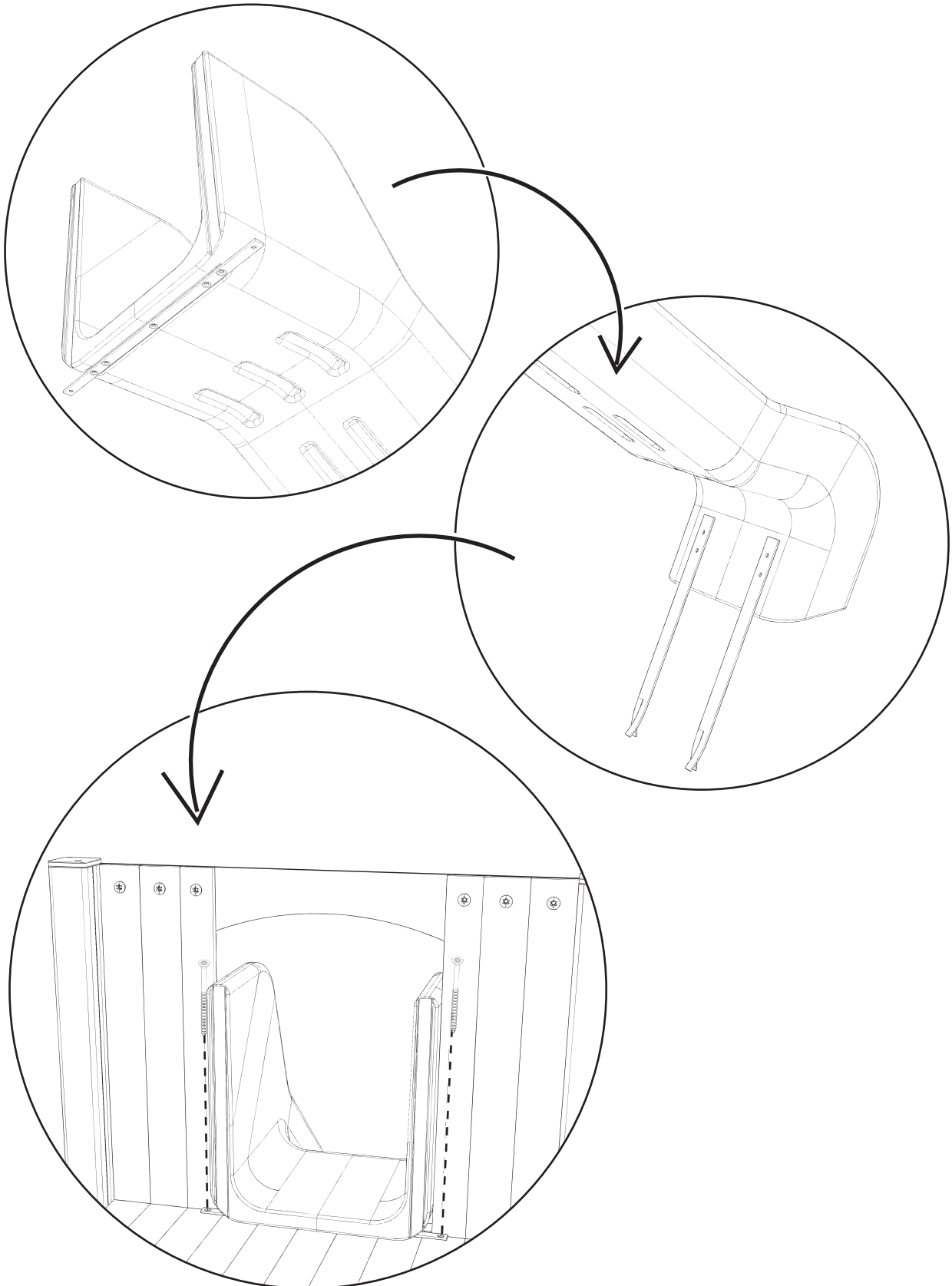
# Installation Instructions

---

**8**

## Attach the SLIDE TO THE PLATFORM

Using 2x "FM40 Brass Screws" and Slide Fittings



# Additional Dimensions

---

