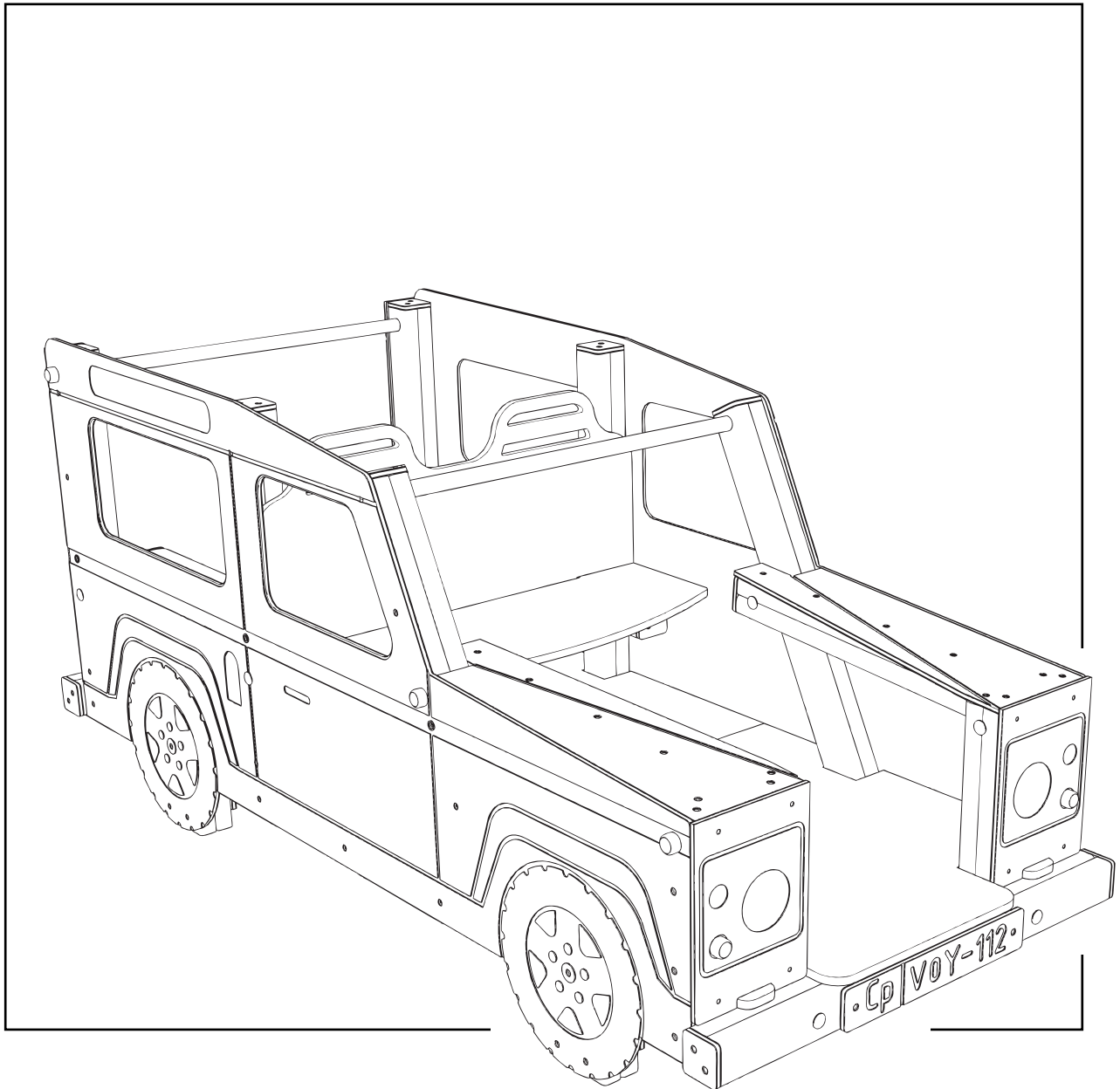


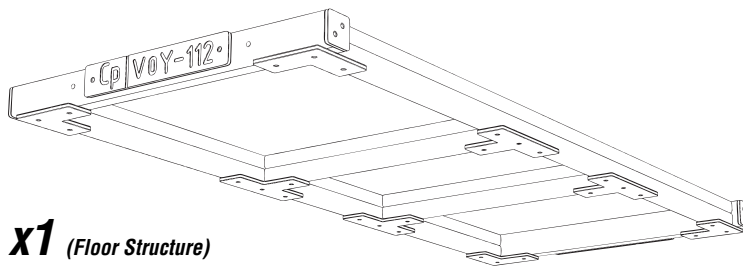
LAND RANGER

Installation Instructions

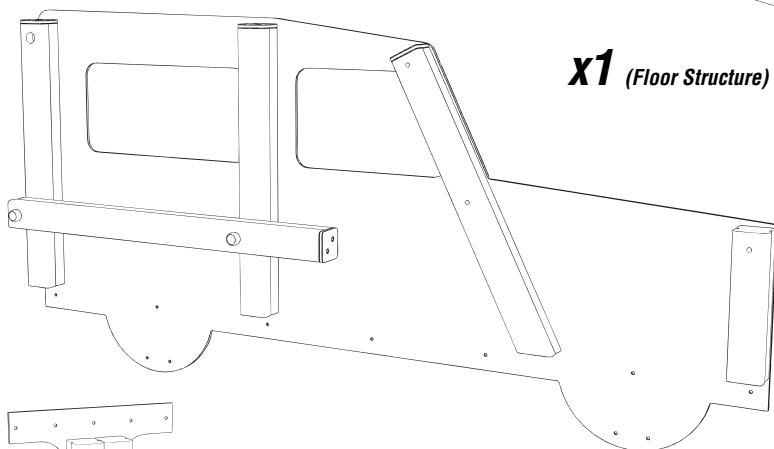
**creative
play**



PARTS required

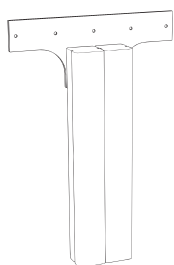


x1 (Floor Structure)



x1 (LEFT Side)

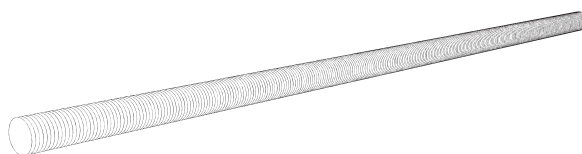
x1 (RIGHT Side)



x4 (Legs)

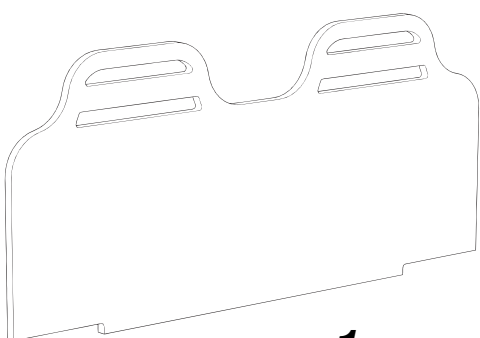


x2 (Galvanised Tube)

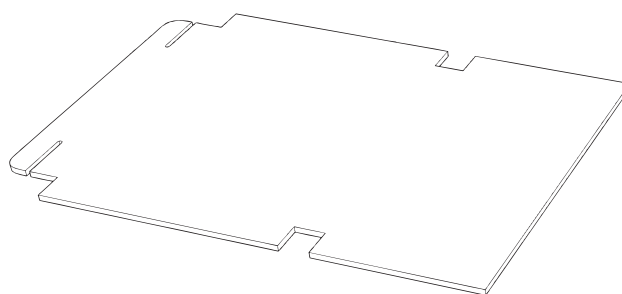


x2 (Thread Bar)

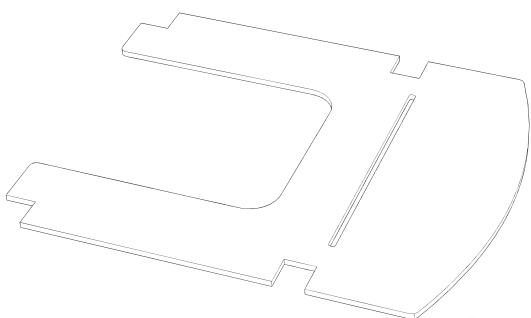
HEXBOARD required



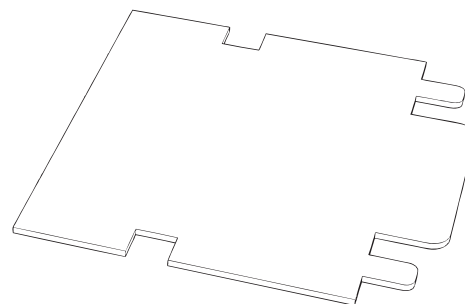
x1 (Back Seat)



x1 (Back Floor)

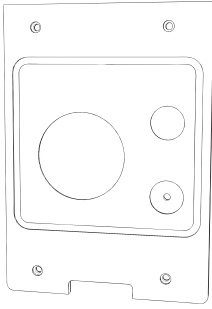


x1 (Seat)



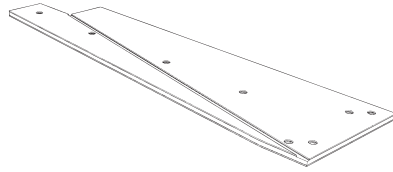
x1 (Front Floor)

PLAYTEC required



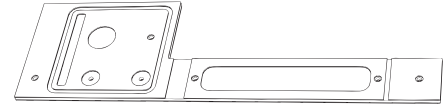
x1 (FRONT LEFT)

x1 (FRONT RIGHT)



x1 (TOP FRONT LEFT)

x1 (TOP FRONT RIGHT)



x1 (BACK LEFT)

x1 (BACK RIGHT)

TIMBERS required

CODE	TYPE	SIZE	QTY
VOY112f	90x90	480	2
VOY112h	90x90	865	2

90 x 90 timber

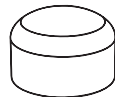
FIXINGS required



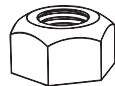
x2 (M12 x 290 Square Cup HEX bolt)

x2 (M12 x 210 Square Cup HEX bolt)

x2 (M12 x 200 Square Cup HEX bolt)



x12 (end caps)

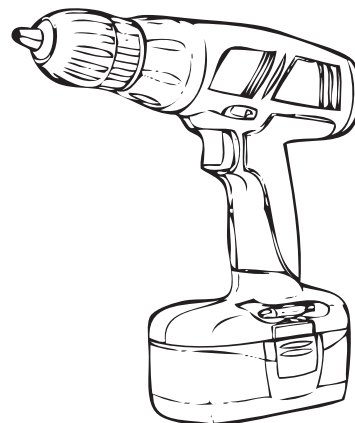


x10 (M12 'NYLOC')

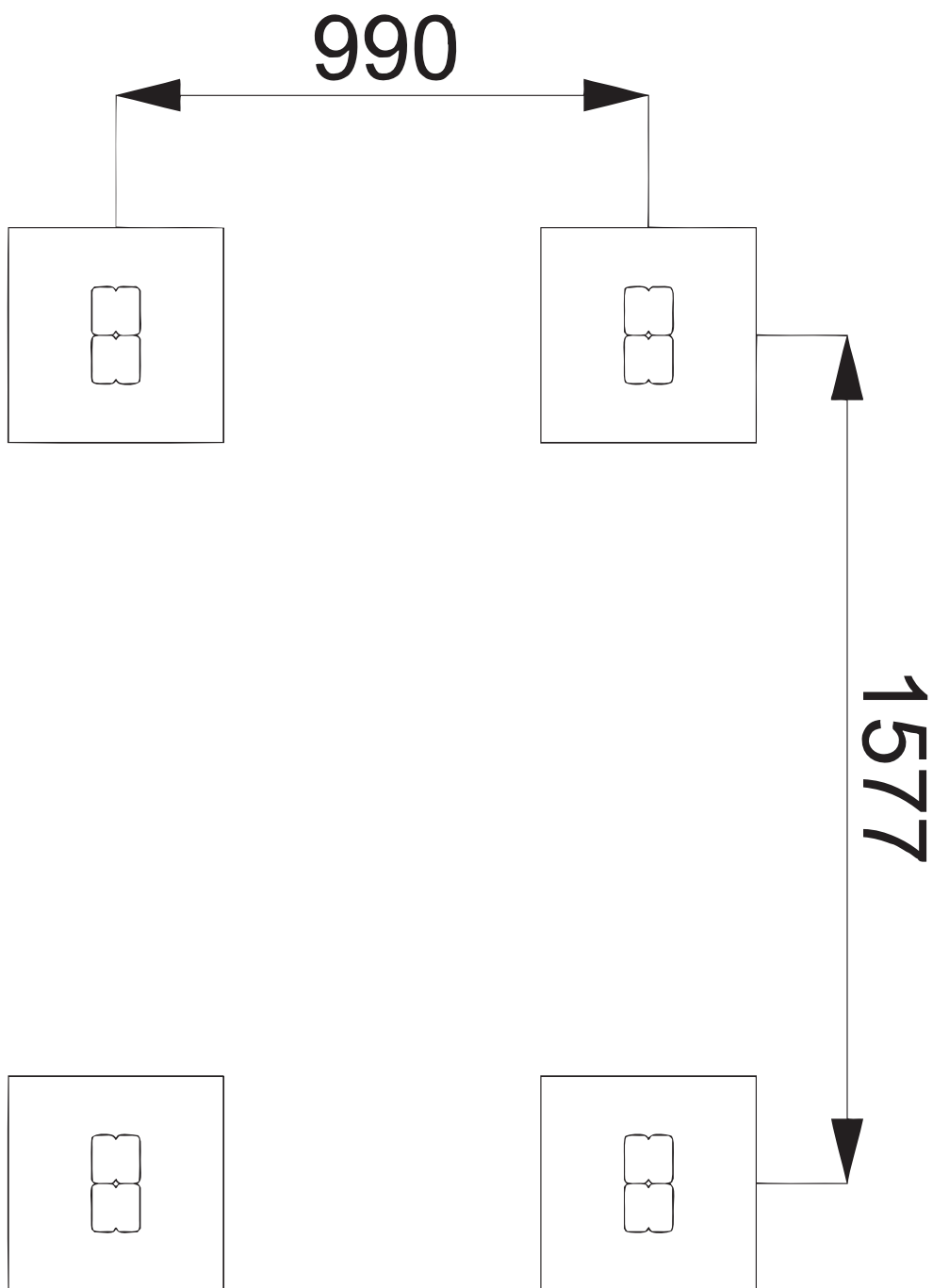


x139 (FM80 'Brass screws')

TOOLS required

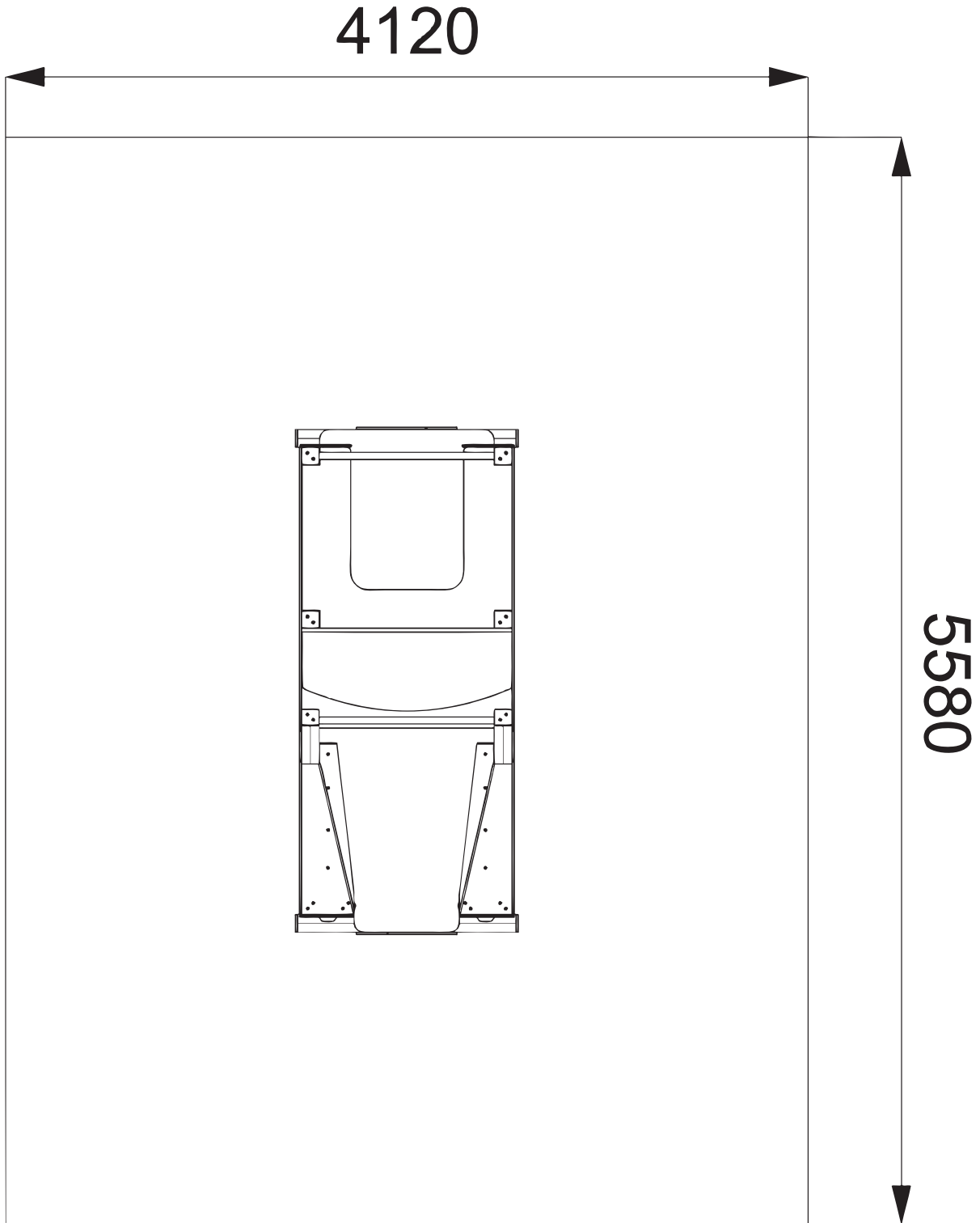


Foundation Details



Surfacing Details

- - - - = **MINIMUM SPACE**
- = **SURFACE AREA**

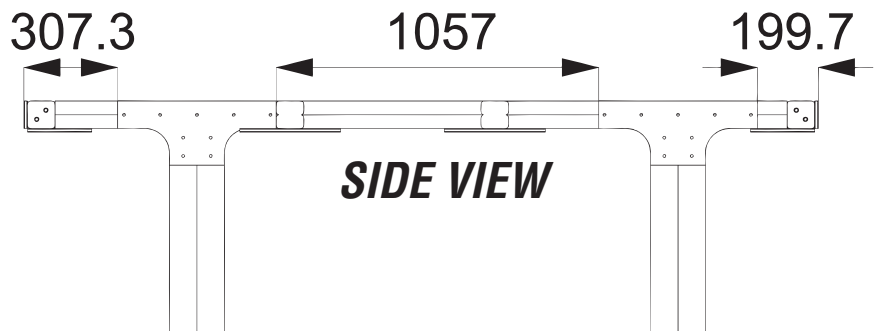
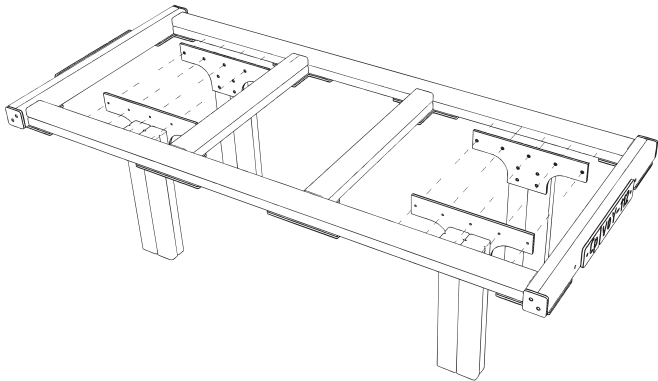


Installation Instructions

1

Attach PRE-ASSEMBLED LEGS to FLOOR STRUCTURE

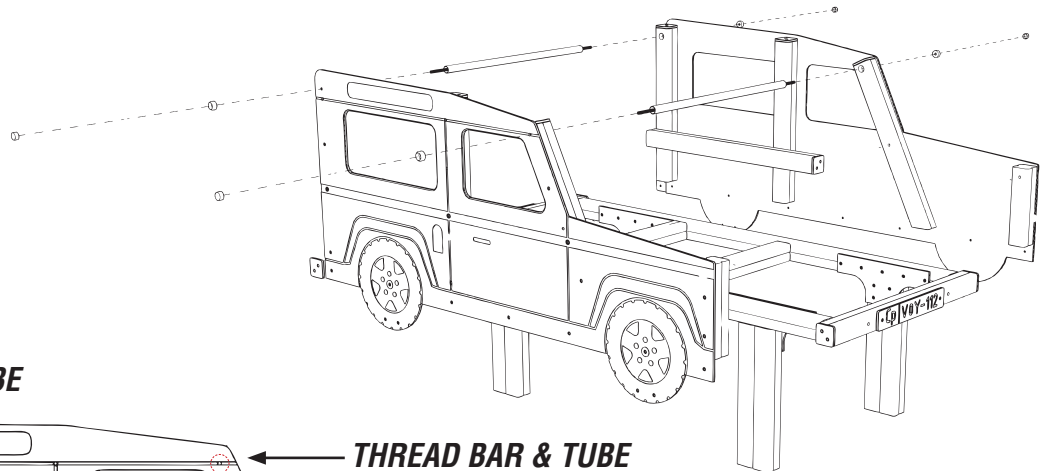
Using 20x FM80 'Brass Screws'



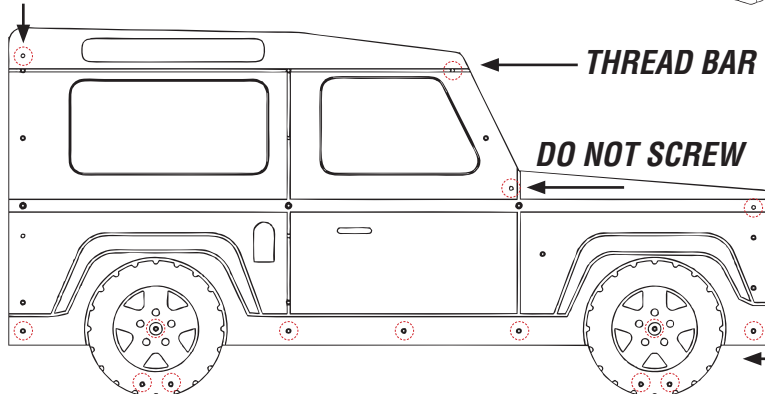
2

Attach PRE-ASSEMBLED SIDE PANELS to FLOOR STRUCTURE

Using 20x FM80 'Brass Screws' / 4x NYLOCS / 4x Covered end cap / 2x Thread Bar @ 1140mm / 2x Galvanized tube @ 960mm



THREAD BAR & TUBE



THREAD BAR & TUBE

DO NOT SCREW

DO NOT SCREW

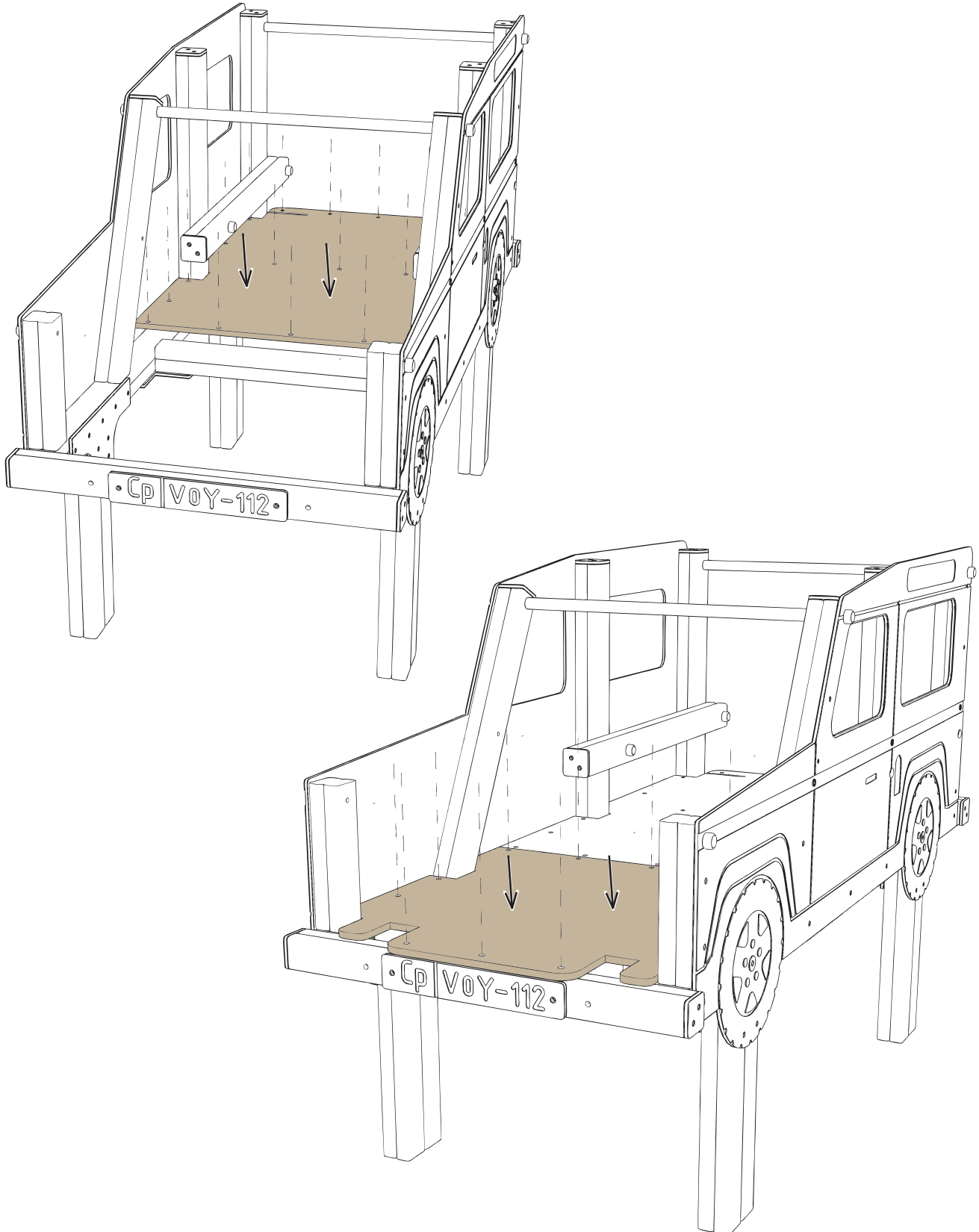
FM 80 "Brass Screws"

Installation Instructions

3

Attach FRONT and BACK HEAXBOARD FLOOR to FLOOR STRUCTURE

Using 39 x FM80 'Brass Screws'

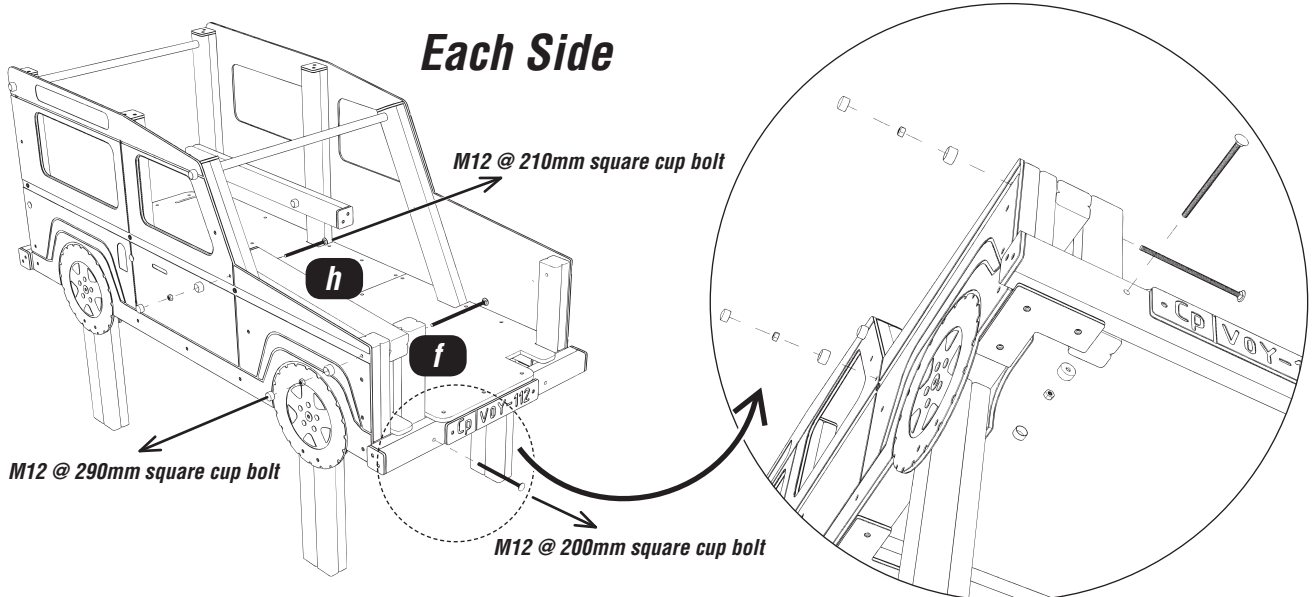


Installation Instructions

4

Attach TIMBERS VOY112f/h to FLOOR STRUCTURE and Sides

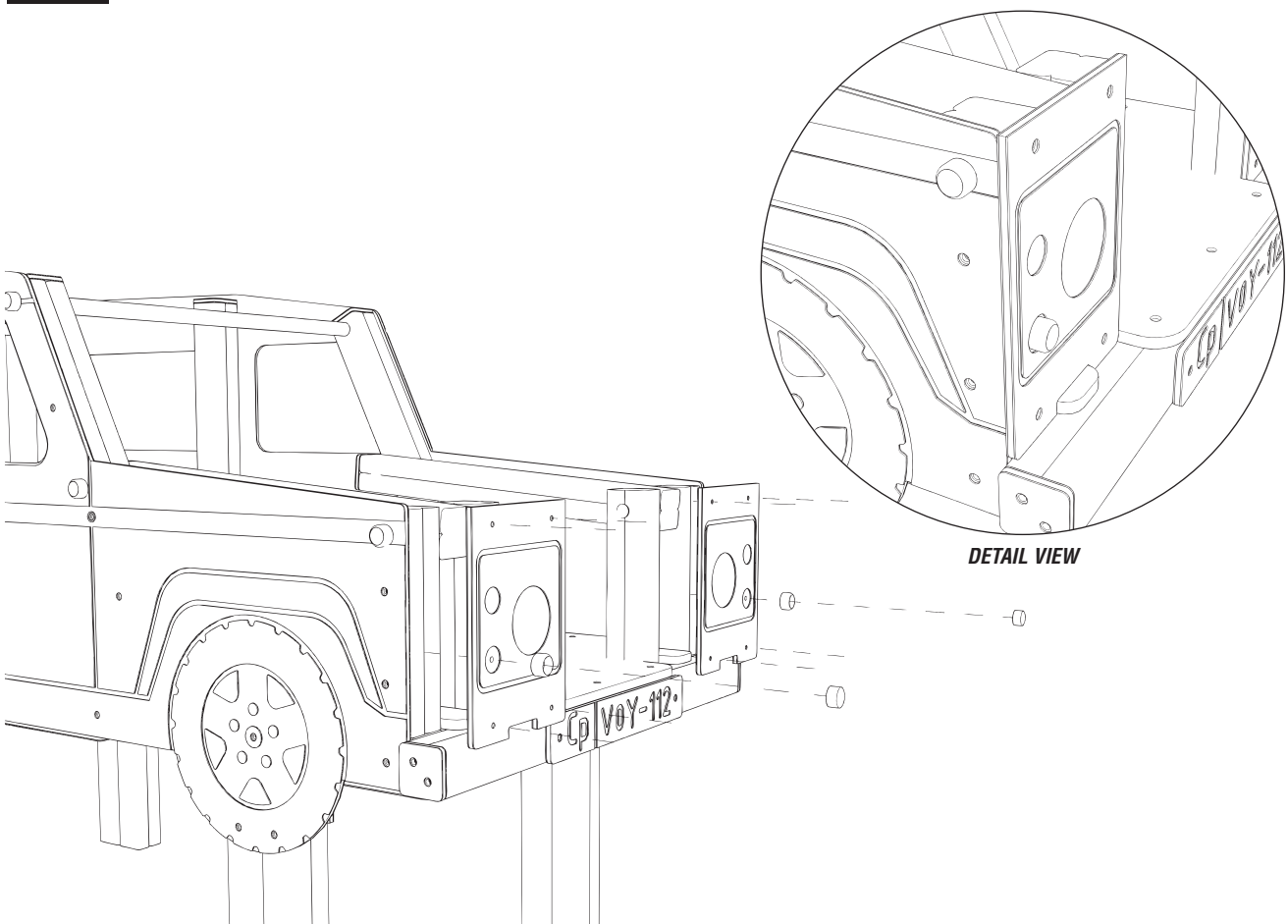
Using M12 (2x200mm), (2x210mm), (2x290mm) square cup bolt / 6x NYLOCS / 6x Covered end cap



5

Attach FRONT PLAYTEC to the STRUCTURE

Using 10 x FM80 'Brass Screws' / 2x Covered end cap

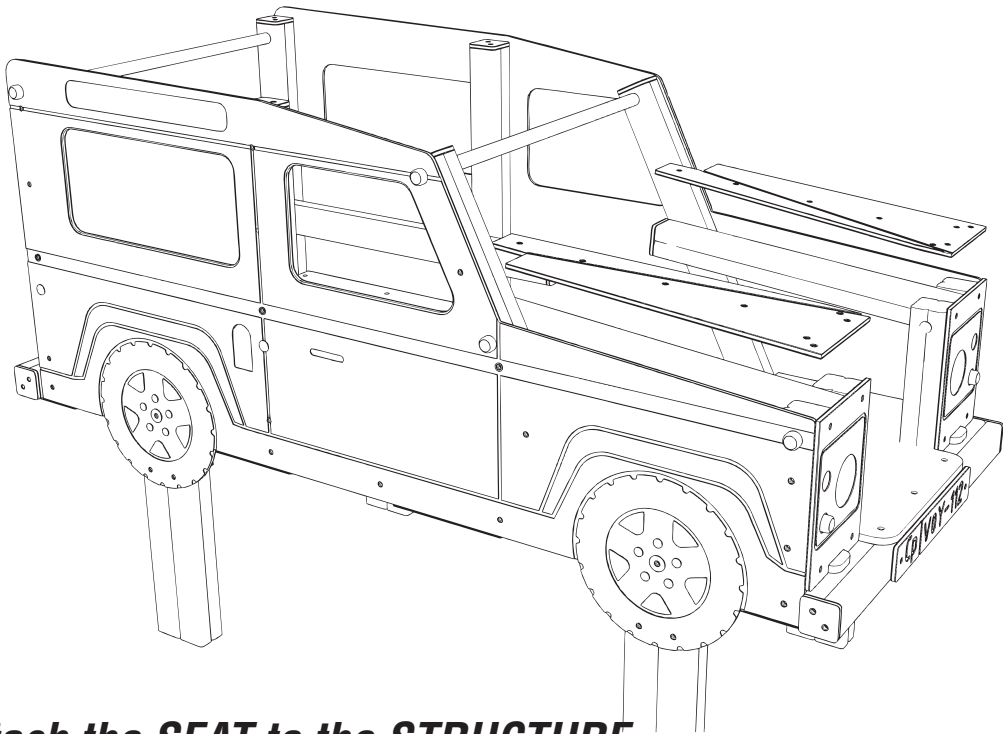


Installation Instructions

6

Attach TOP FRONT PLAYTEC to the STRUCTURE

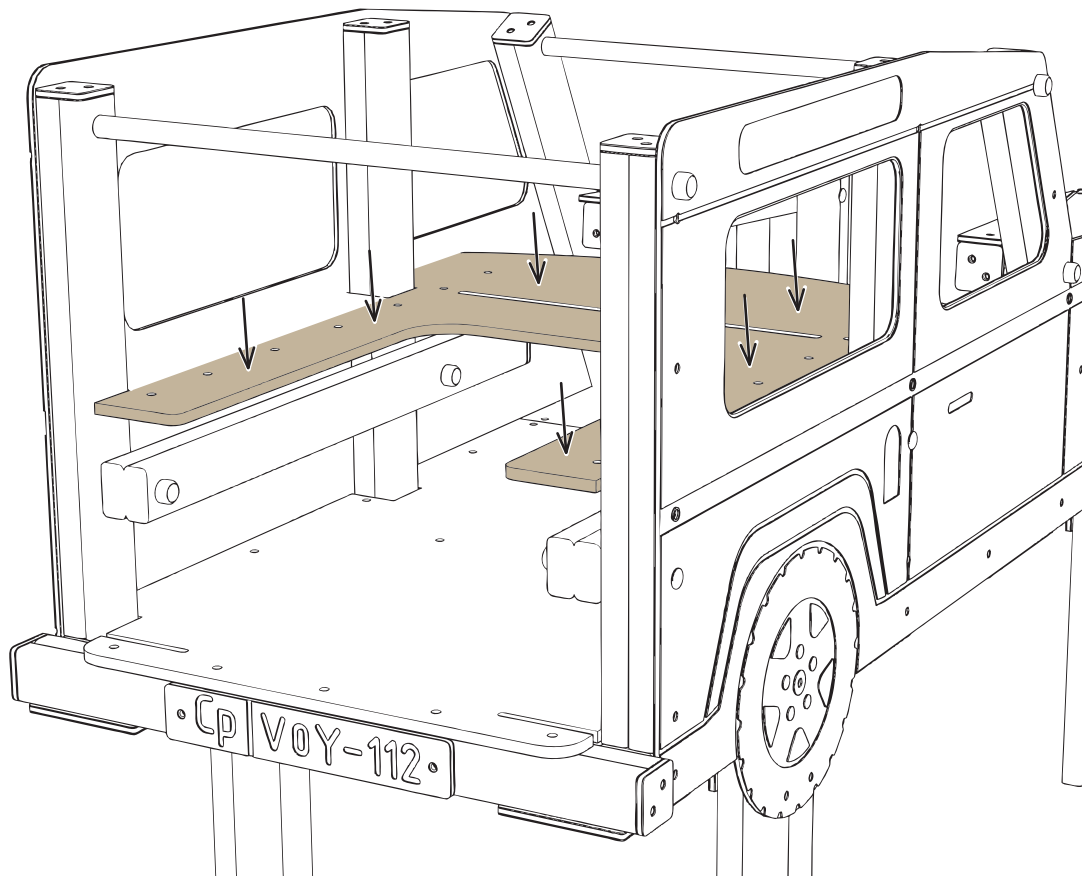
Using 16 x FM80 'Brass Screws'



7

Attach the SEAT to the STRUCTURE

Using 14 x FM80 'Brass Screws'

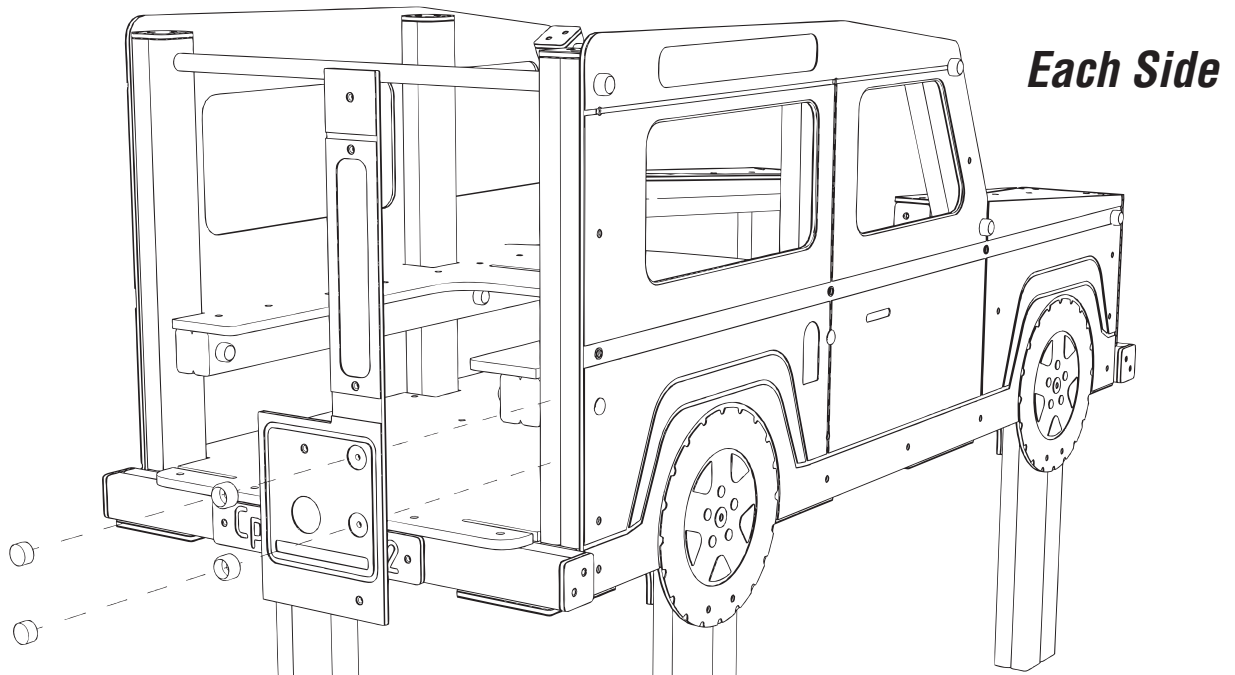


Installation Instructions

8

Attach BACK PLAYTEC to the STRUCTURE

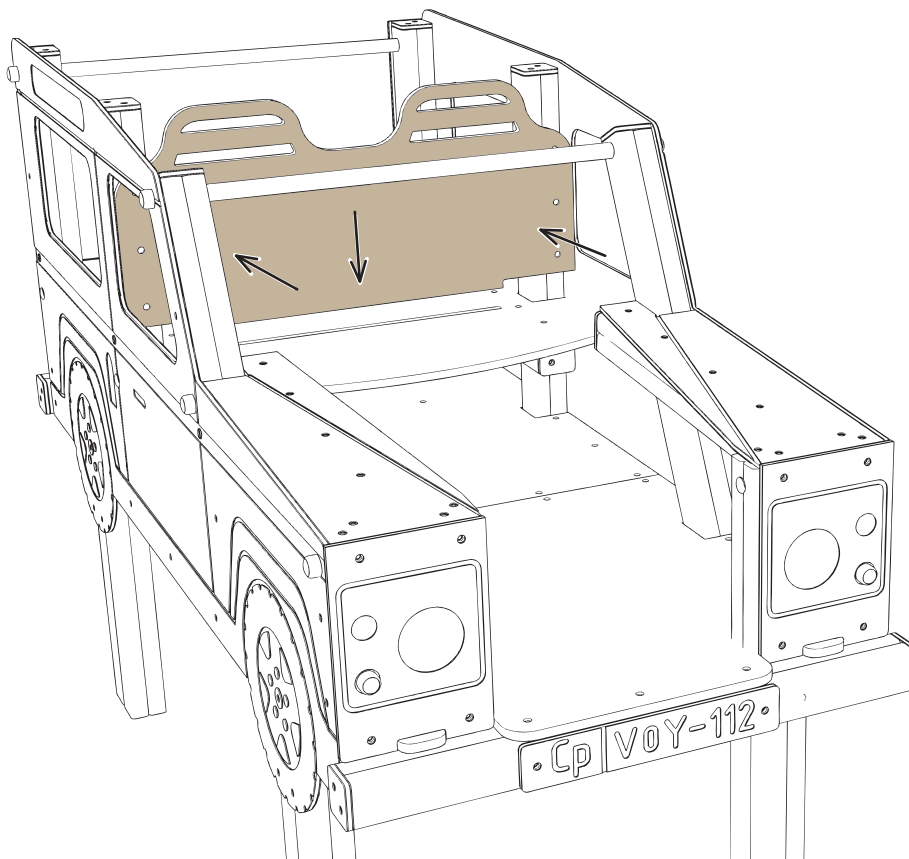
Using 14 x FM80 'Brass Screws' / 4x Covered end cap



9

Attach BACK SEAT to the STRUCTURE

Using 6 x FM80 'Brass Screws'



Additional Dimensions

