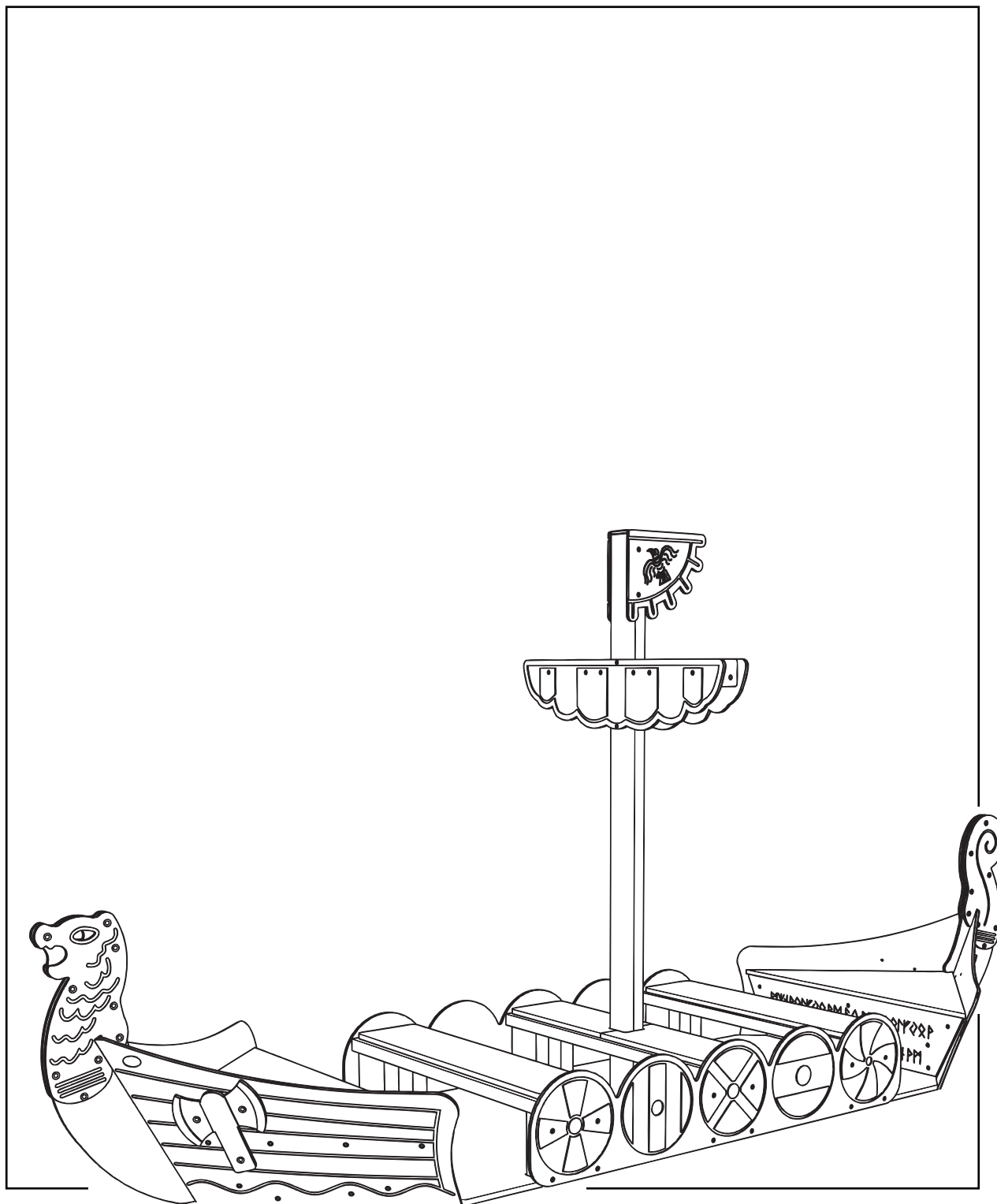


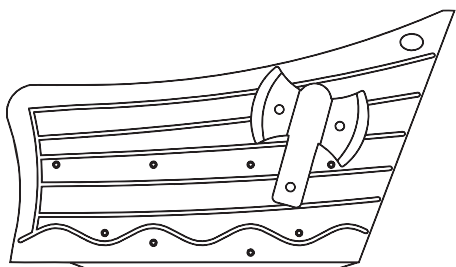
VIKING SHIP

Installation Instructions

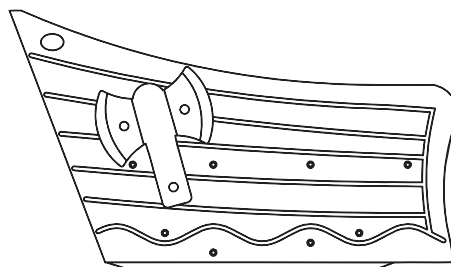
creative
play



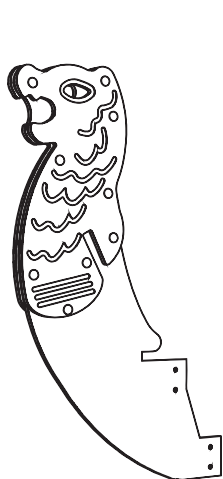
PRE-ASSEMBLED PARTS required



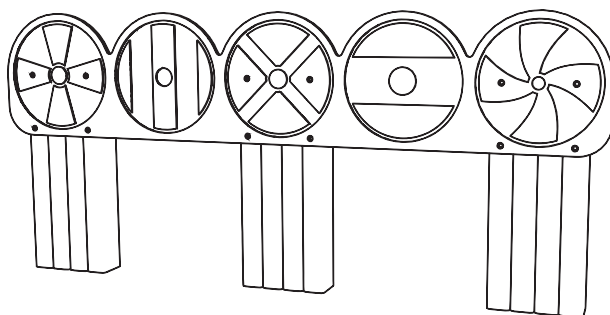
x2 (PRE-ASSEMBLED RIGHT - BOW AND STERN)



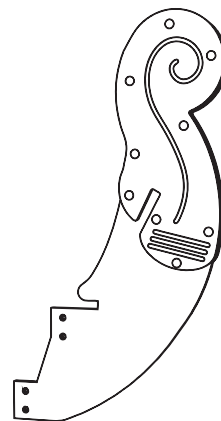
x2 (PRE-ASSEMBLED LEFT - BOW AND STERN)



x1 (PRE-ASSEMBLED FRONT)

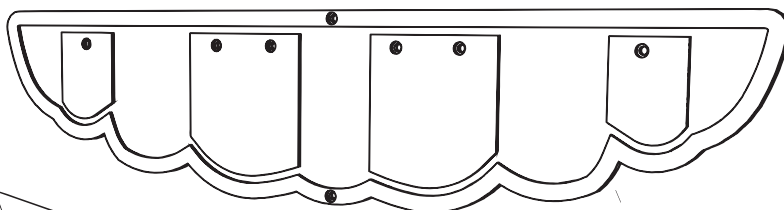


x2 (PRE-ASSEMBLED SIDE)



x1 (PRE-ASSEMBLED BACK)

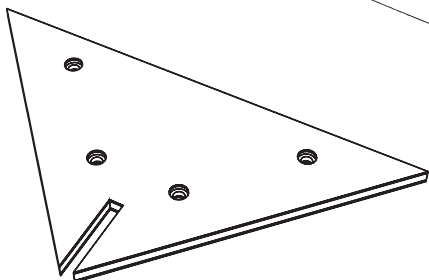
PLAYTEC required



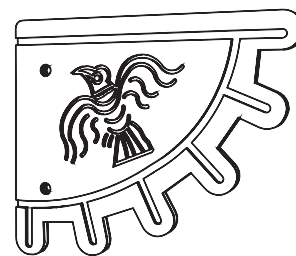
x2 (MAINSAIL)



x2 (COVERS)

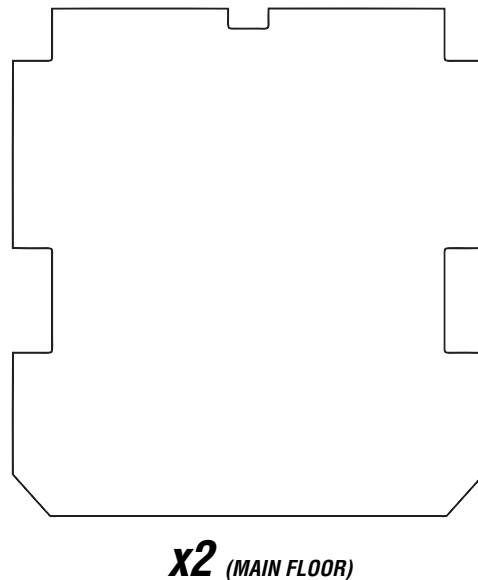
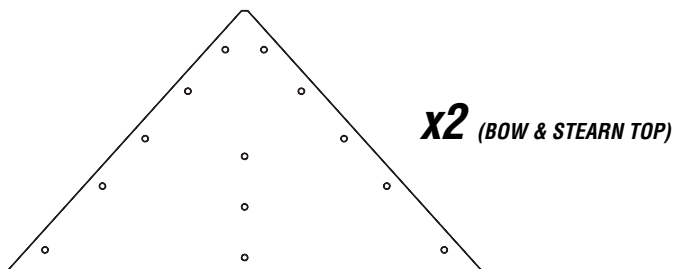
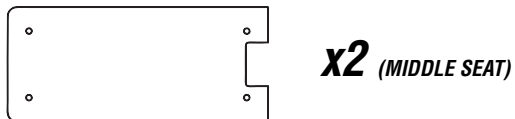


x2 (INTERNAL SUPPORT)



x2 (VIKING FLAGS)

HEXBOARD required



TIMBERS required

VOY105a x1 (90x90)

VOY105h x2 (90x90)

VOY105l x4 (143x43)

VOY105b x2 (90x90)

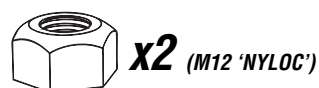
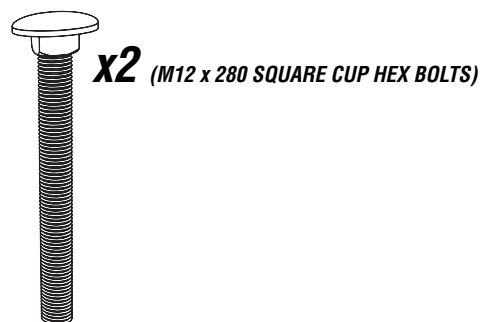
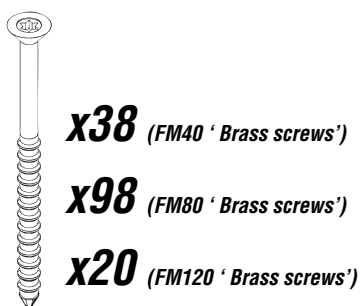
VOY105i x2 (90x90)

VOY105m x2 (143x43)

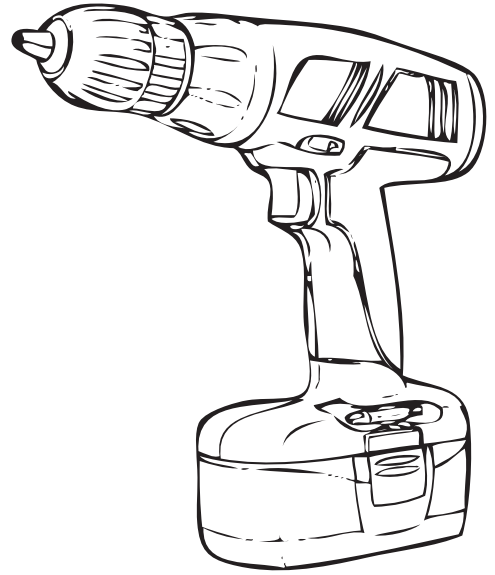
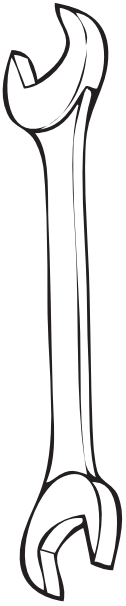
VOY105c x2 (90x90)

VOY105k x4 (120x90)

Fixings required

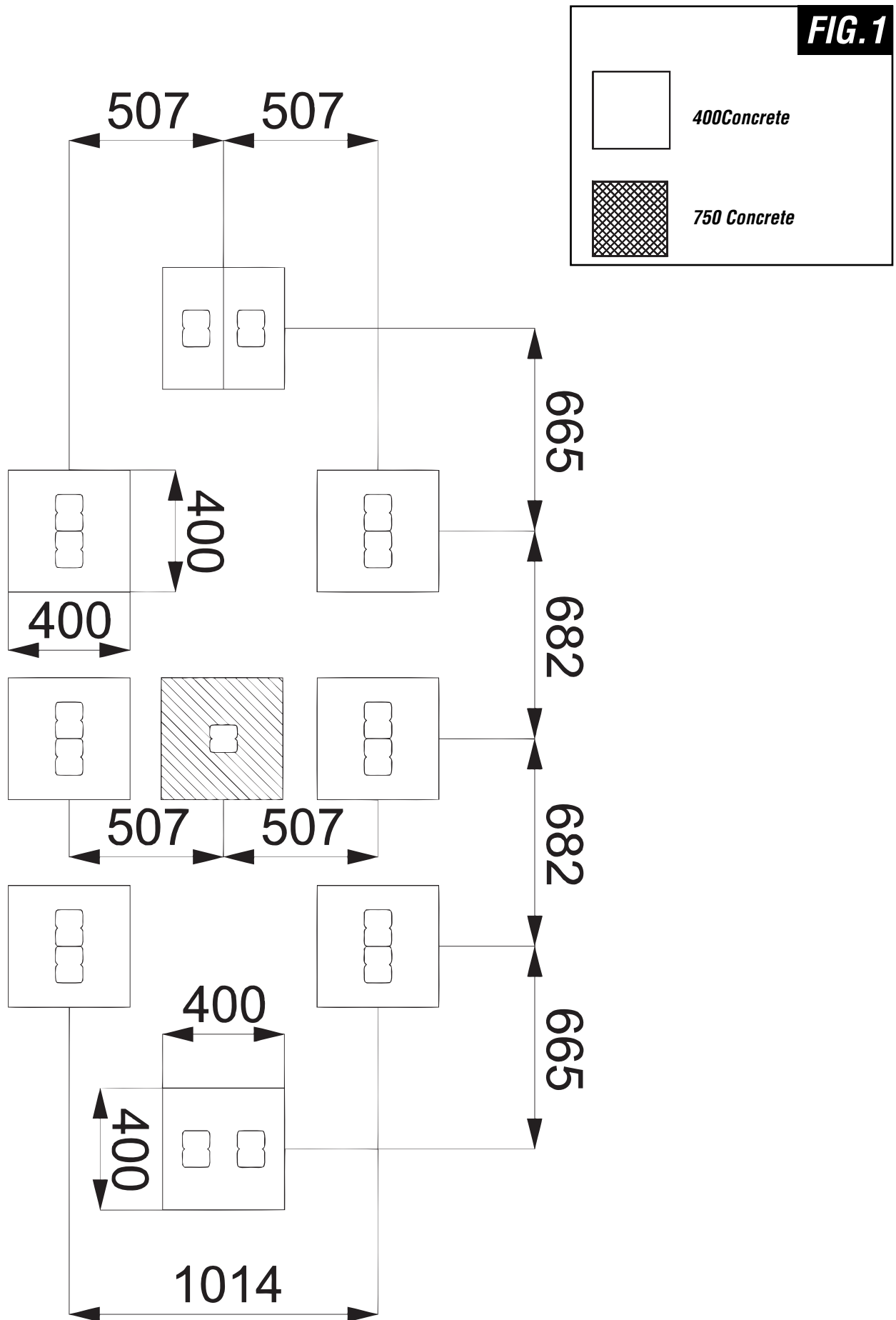


TOOLS required



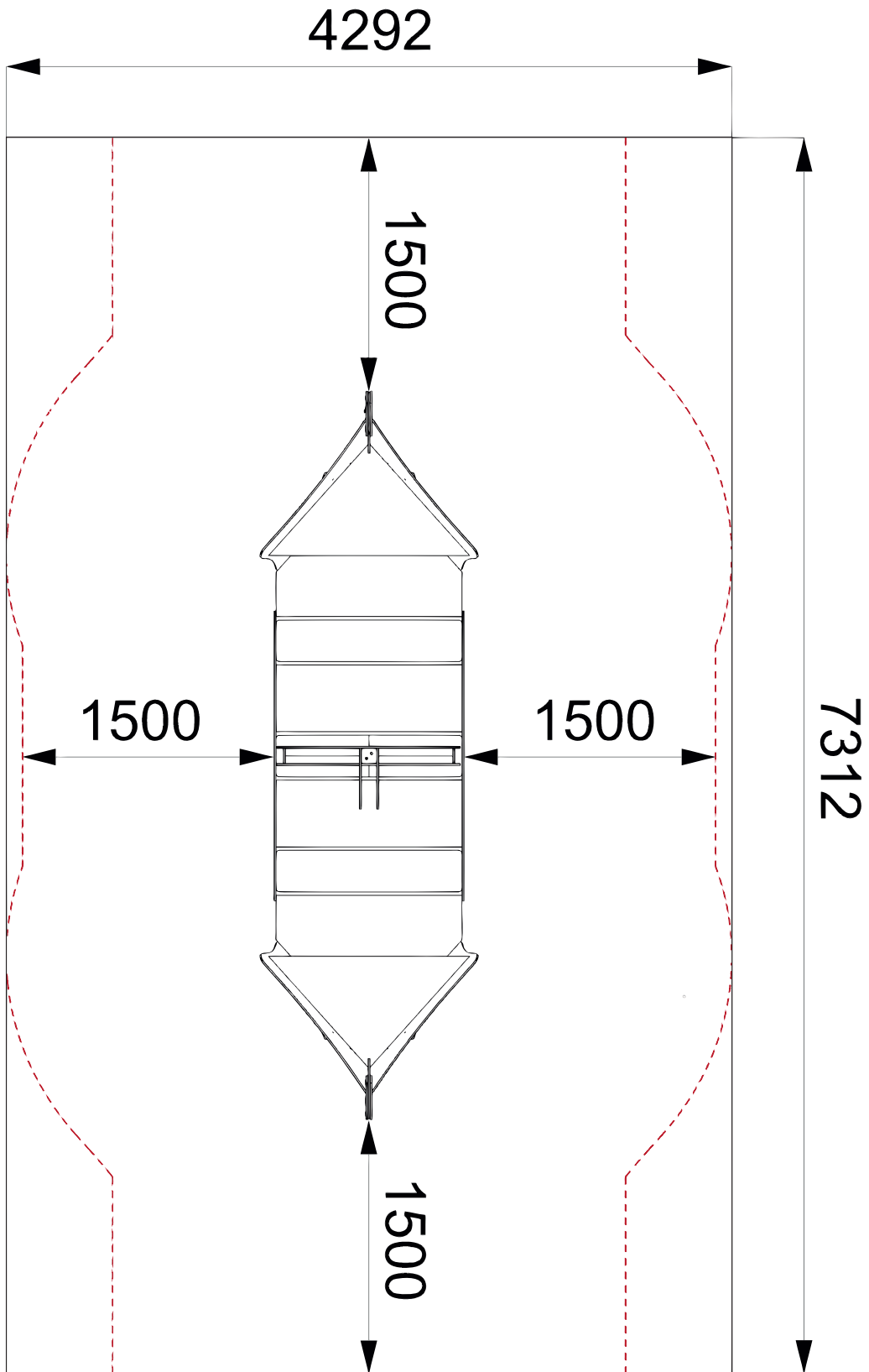
NOTES:

Foundation Details



Surfacing Details

- - - = MINIMUM SPACE
- = SURFACE AREA

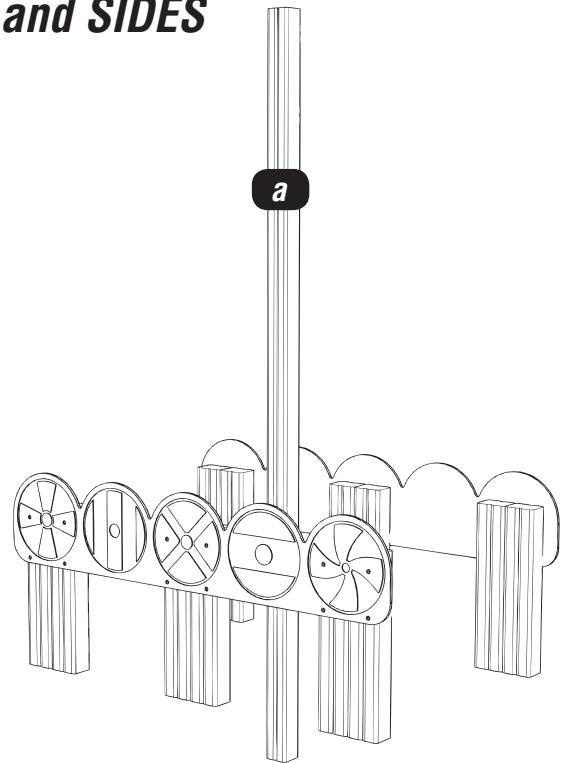
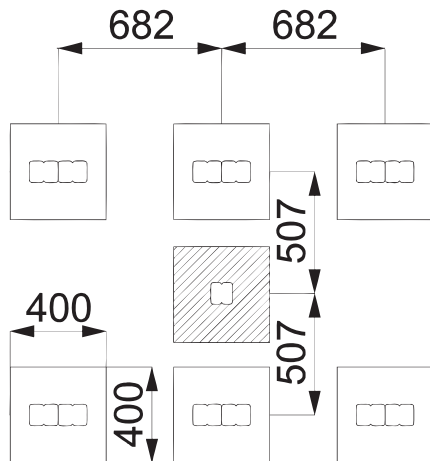


Installation Instructions

1

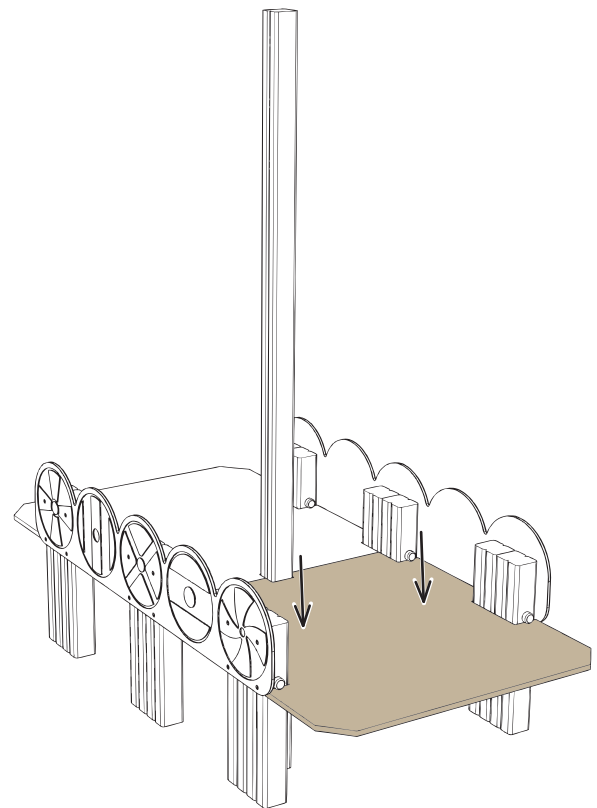
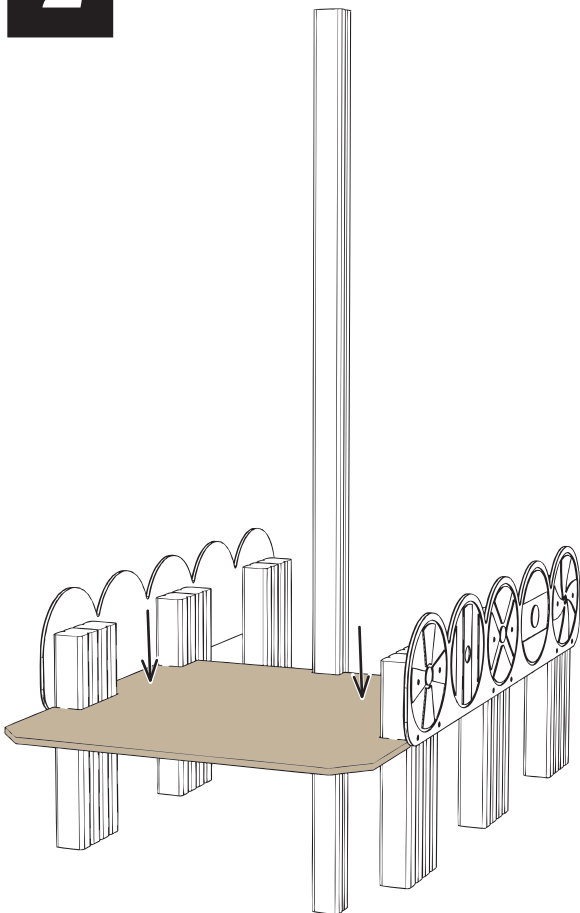
Install the timber VOY105a and SIDES

Follow foundation details



2

Install the MAIN floor (LEFT and RIGHT)

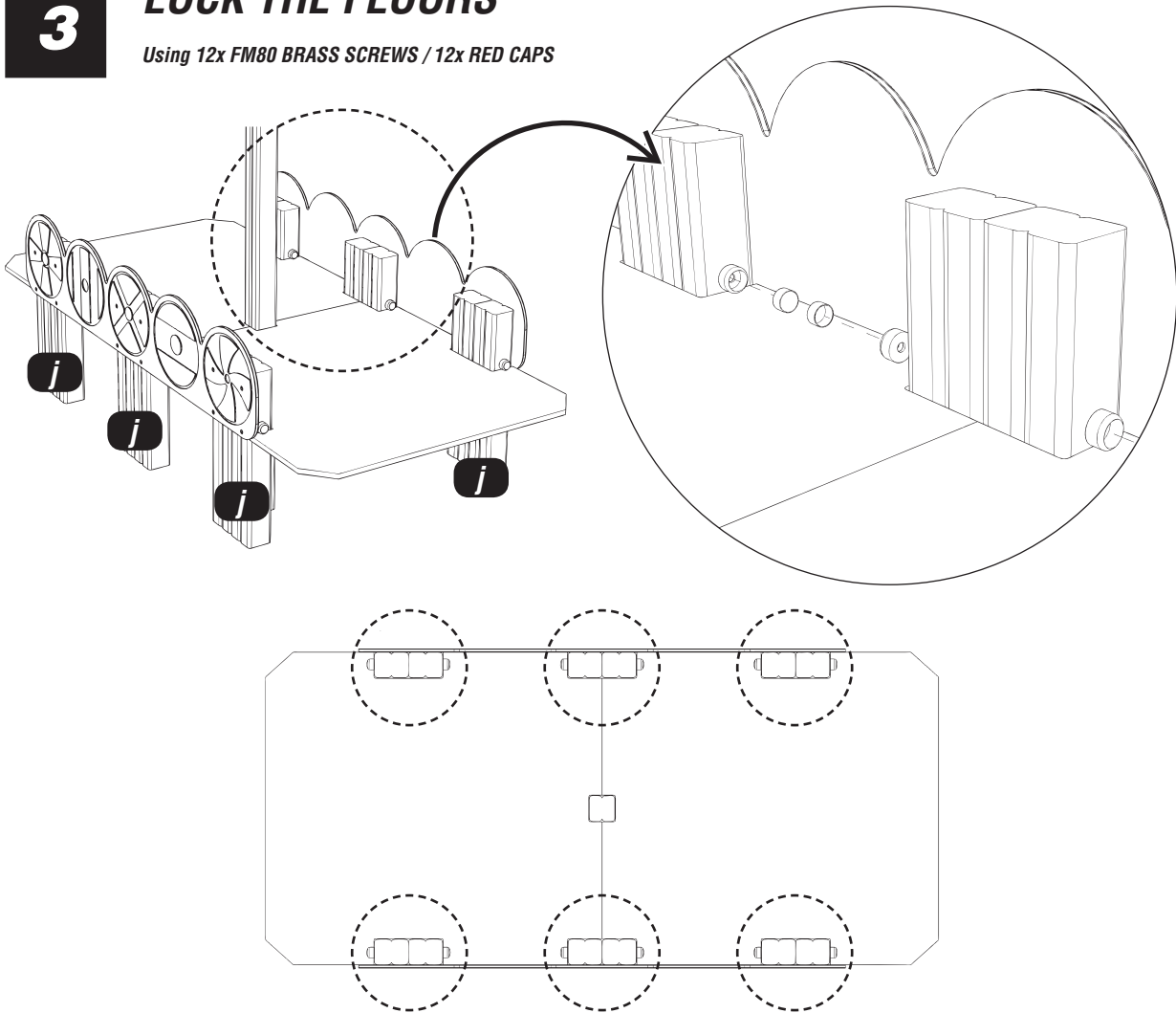


Installation Instructions

3

LOCK THE FLOORS

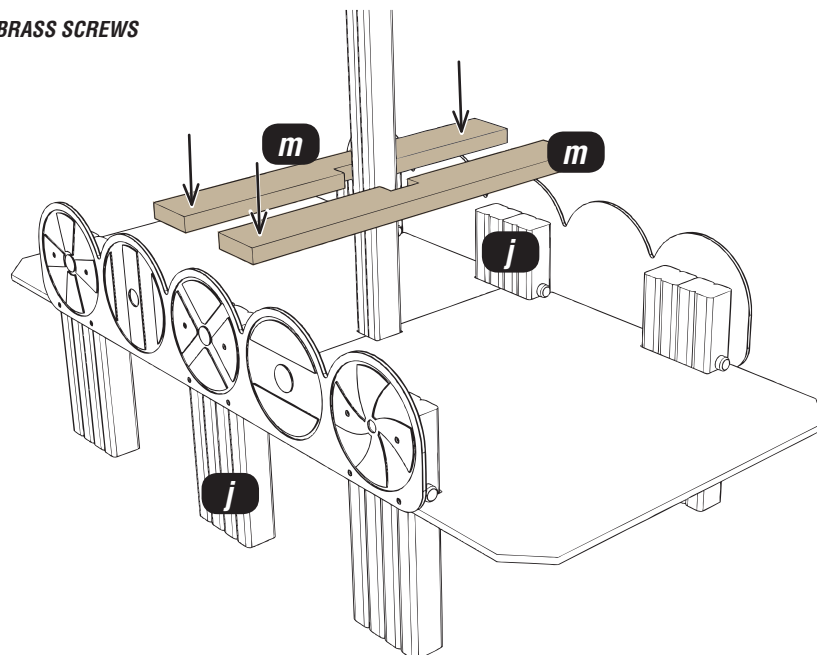
Using 12x FM80 BRASS SCREWS / 12x RED CAPS



4

Attach TIMBERS VOY105m to the TIMBERS VOY105j

Using 8x FM80 BRASS SCREWS

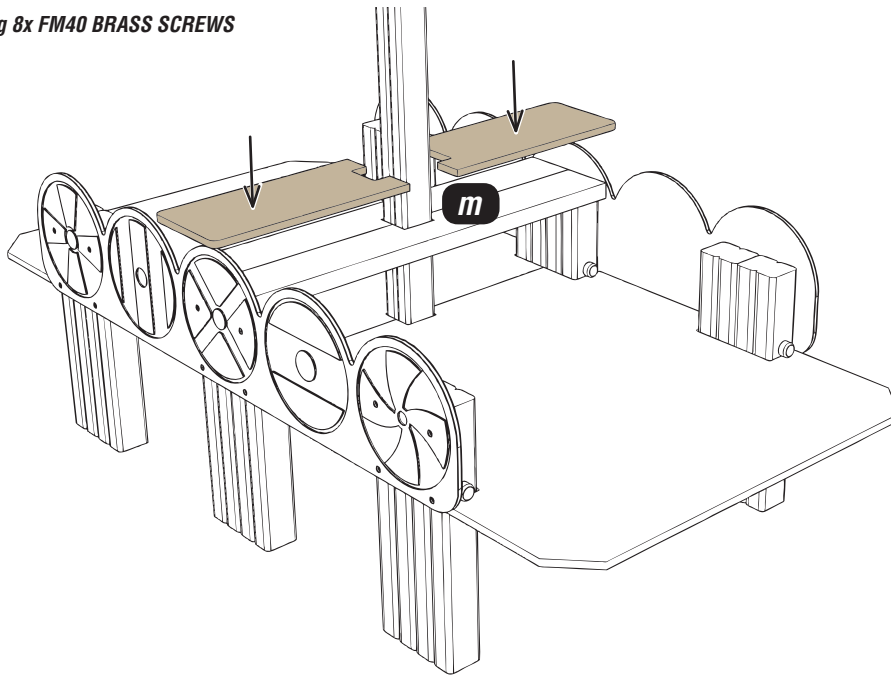


Installation Instructions

5

Attach the MIDDLE SEAT HEXBOARD to the TIMBERS VOY105m

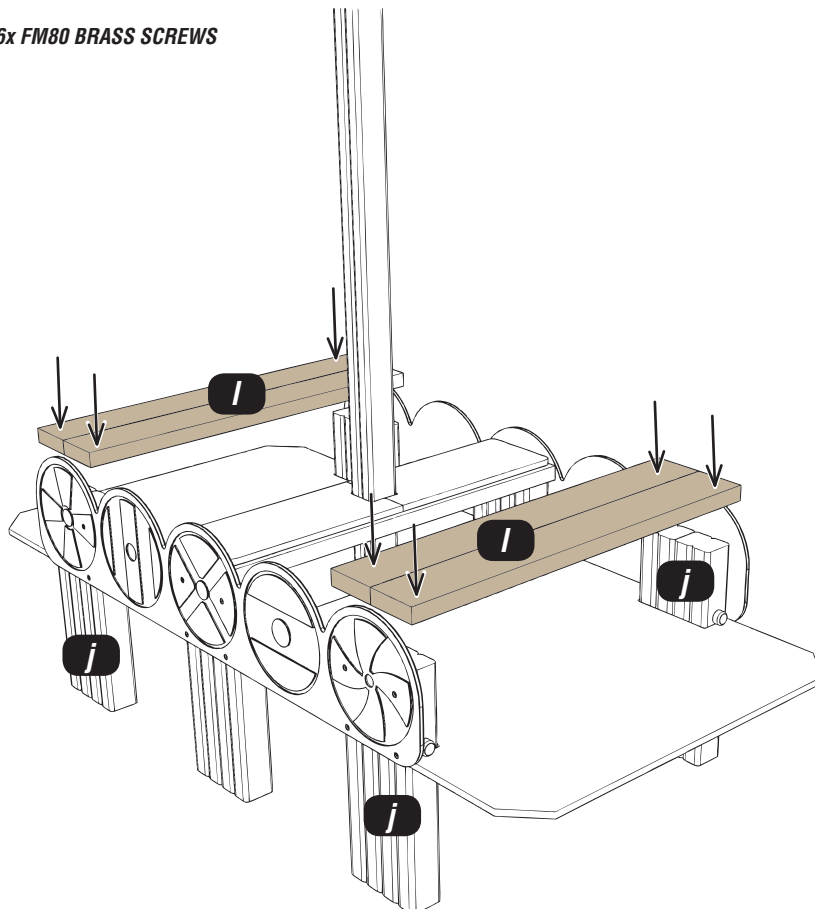
Using 8x FM40 BRASS SCREWS



6

Attach TIMBERS VOY105l to the TIMBERS VOY105j

Using 16x FM80 BRASS SCREWS

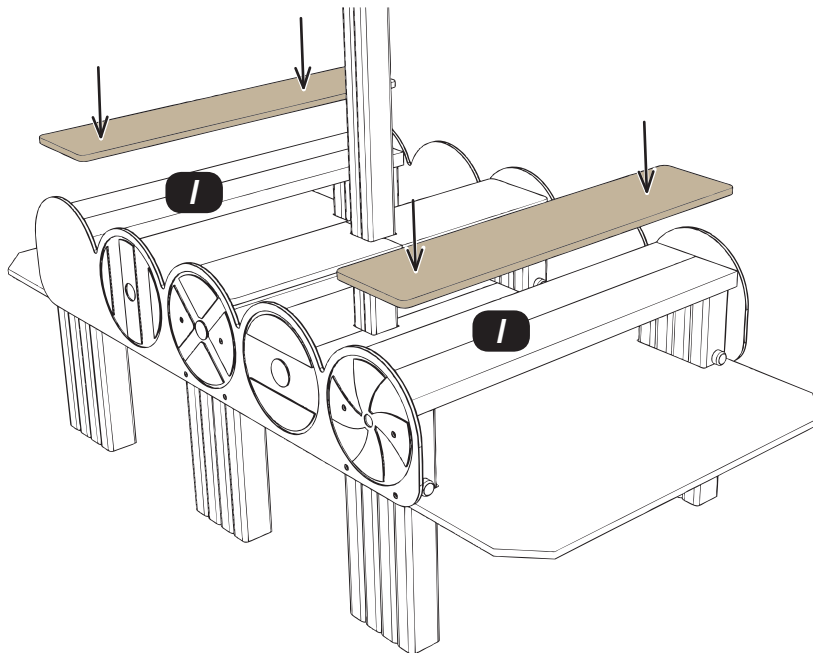


Installation Instructions

7

Attach the SEAT HEXBOARD to the TIMBERS VOY105I

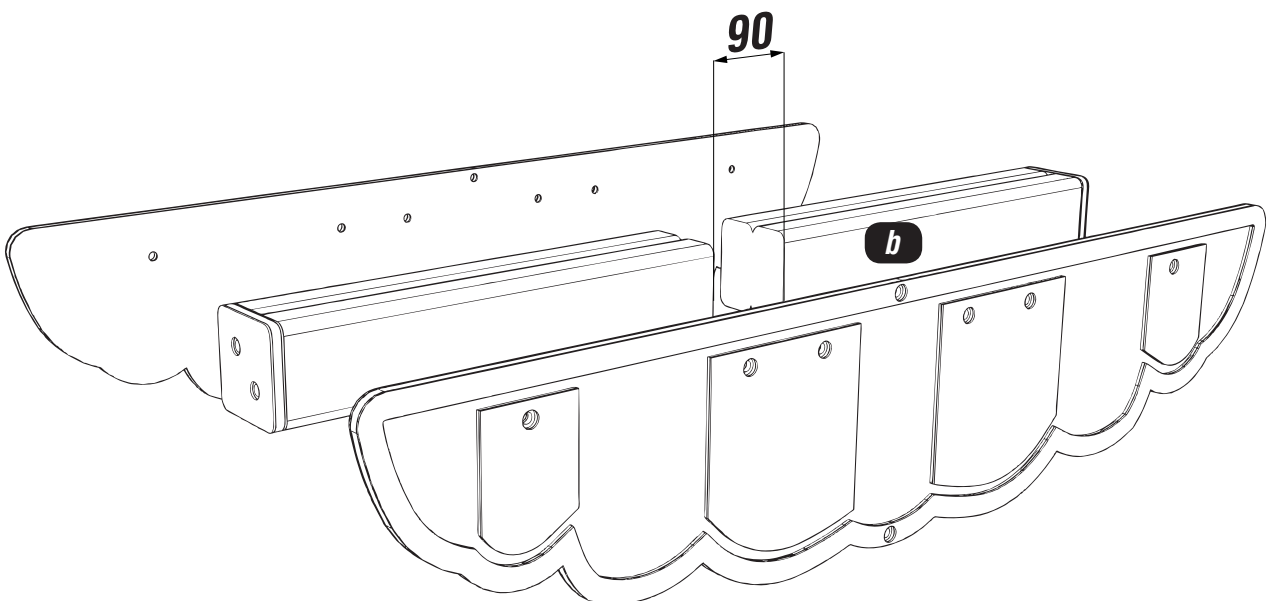
Using 12x FM40 BRASS SCREWS



8

Attach the MAINSAIL front and back to the TIMBERS VOY105b

Using 12x FM80 BRASS SCREWS

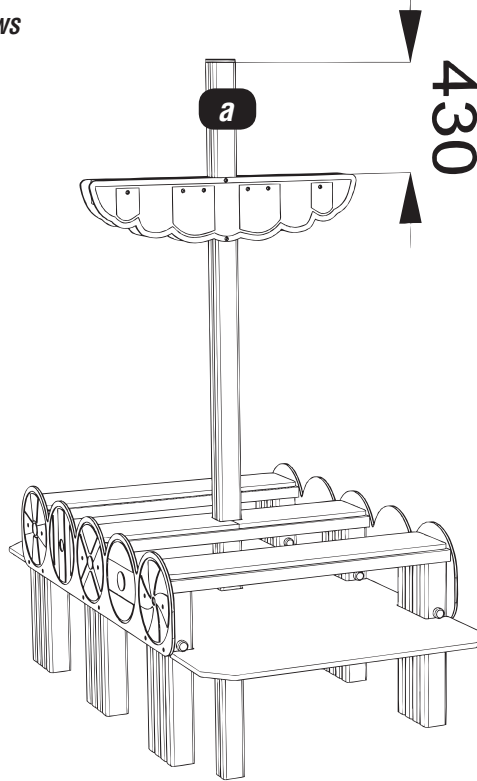


Installation Instructions

9

Attach the ASSEMBLY to the TIMBER VOY105a

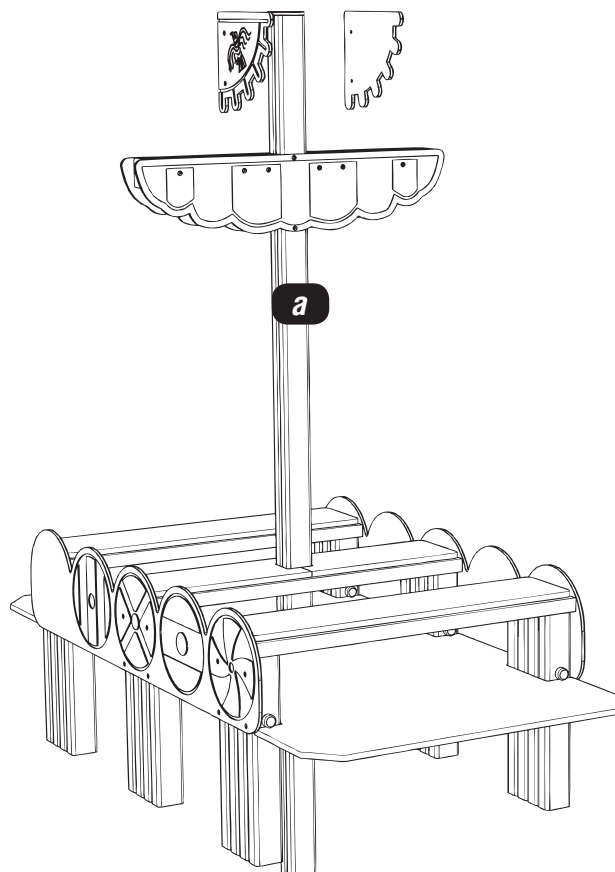
Using 4x FM80 BRASS SCREWS



10

Attach the FLAG to the TIMBER VOY105a

Using 4x FM80 BRASS SCREWS

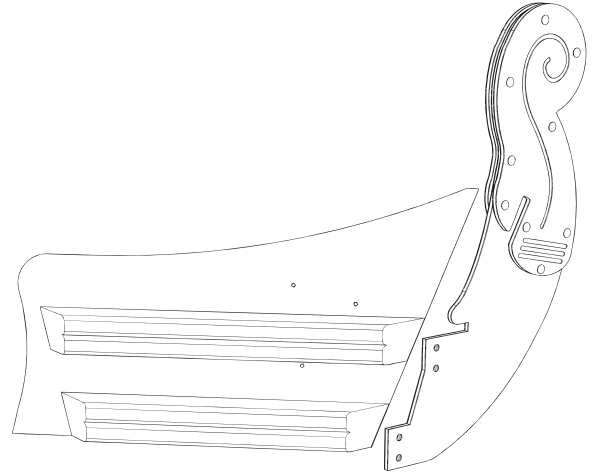
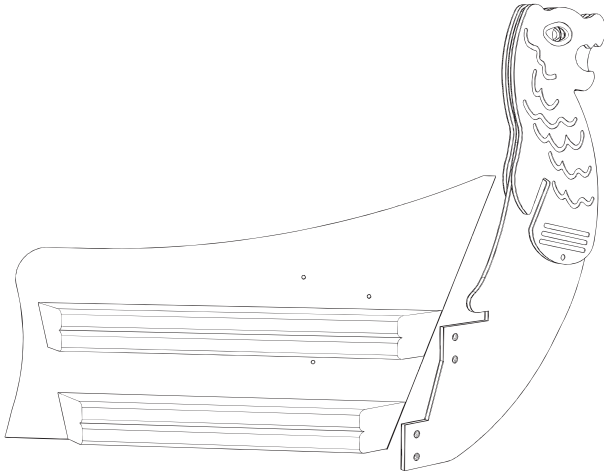


Installation Instructions

12

Attach FRONT AND BACK to the BOW and STERN ASSEMBLY

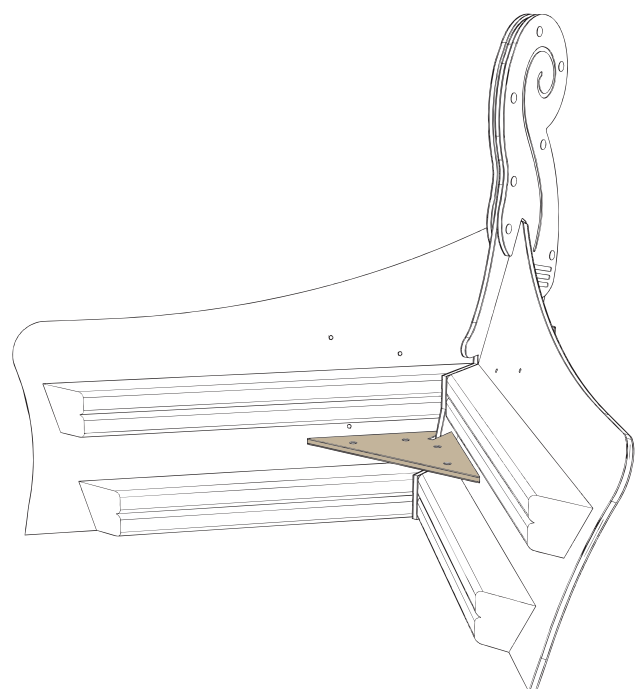
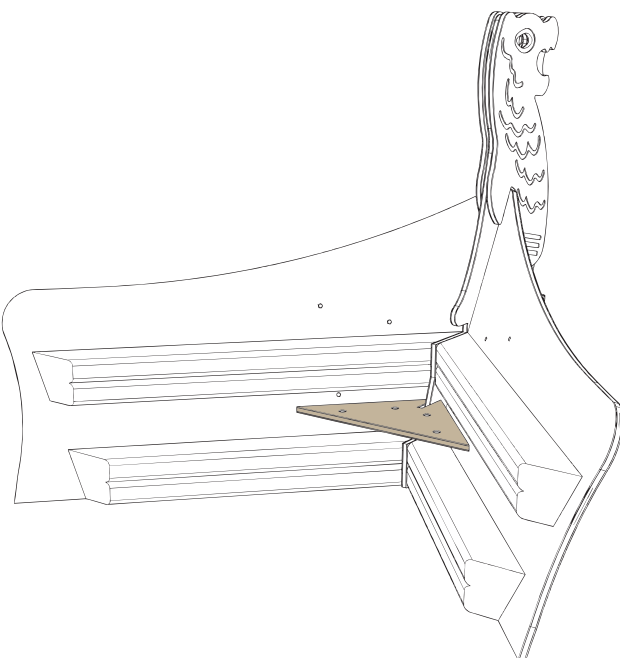
Using 8x FM40 BRASS SCREWS



13

Attach the other SIDE and the INTERNAL SUPPORT

Using 8x FM40 BRASS SCREWS

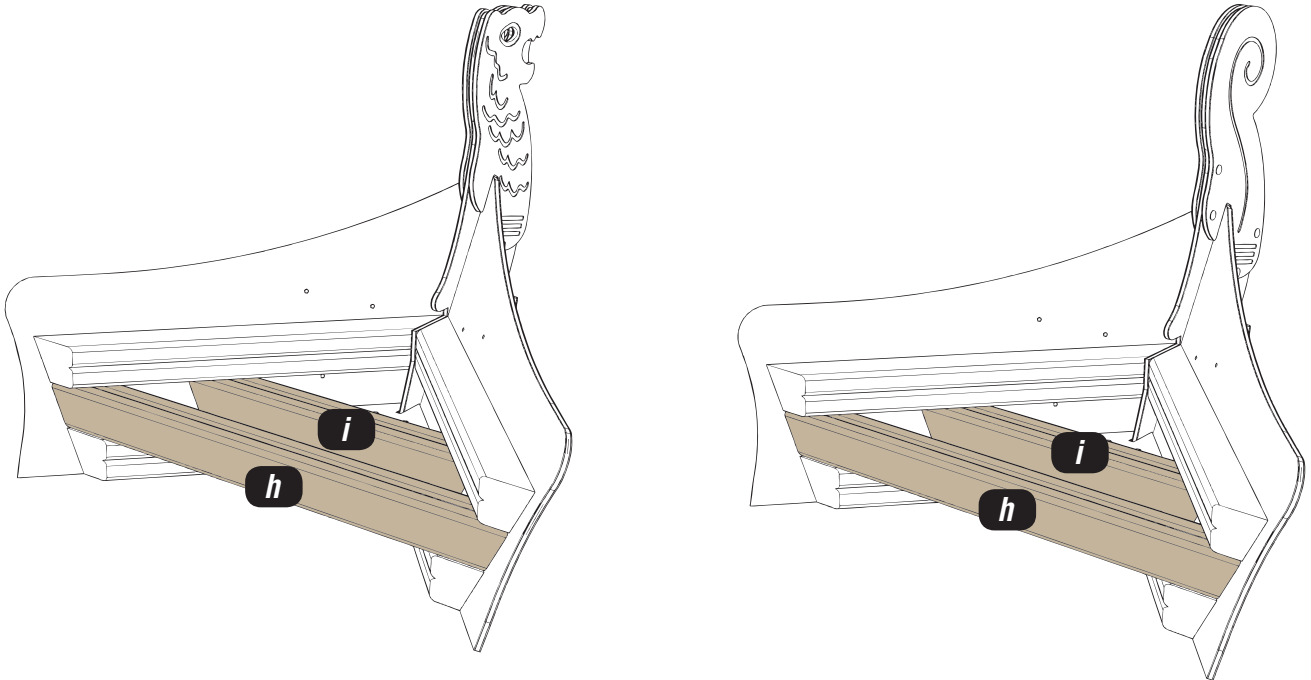


Installation Instructions

14

Attach VOY105h/i to the ASSEMBLIES

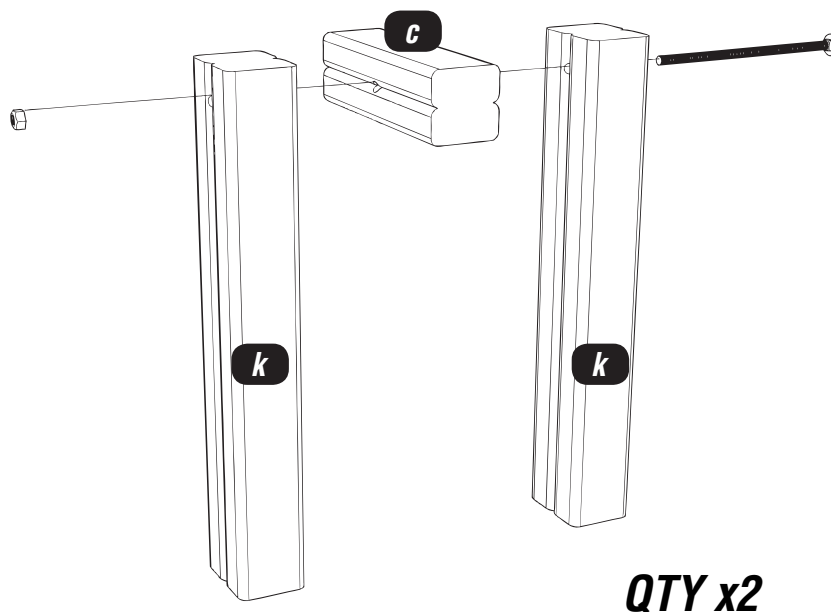
Using 16x FM120 BRASS SCREWS



15

Attach TIMBER VOY105h/i to the ASSEMBLY

Using (2x 290mm) SQUARE CUP HEX BOLTS/ 2x NYLOCS

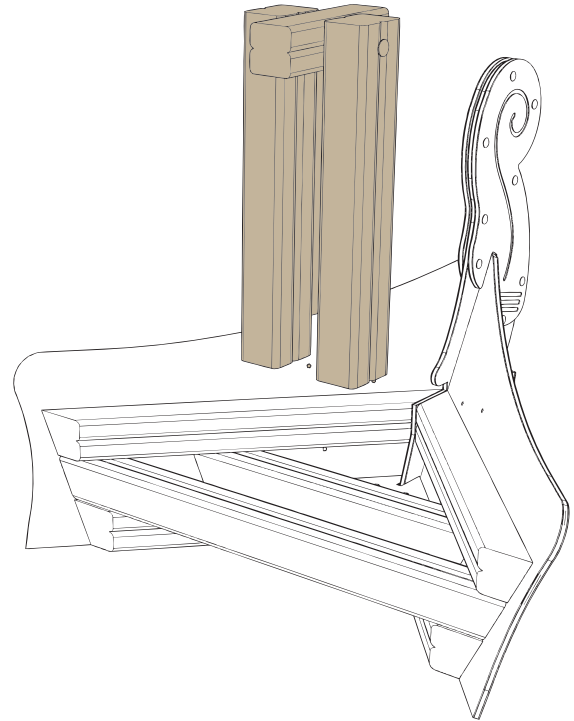
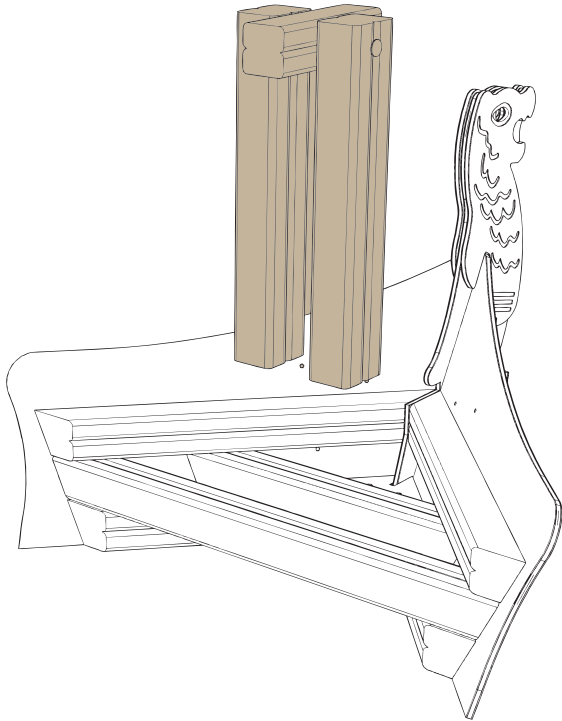


Installation Instructions

16

Attach ASSEMBLIES to the BOW and STERN ASSEMBLY

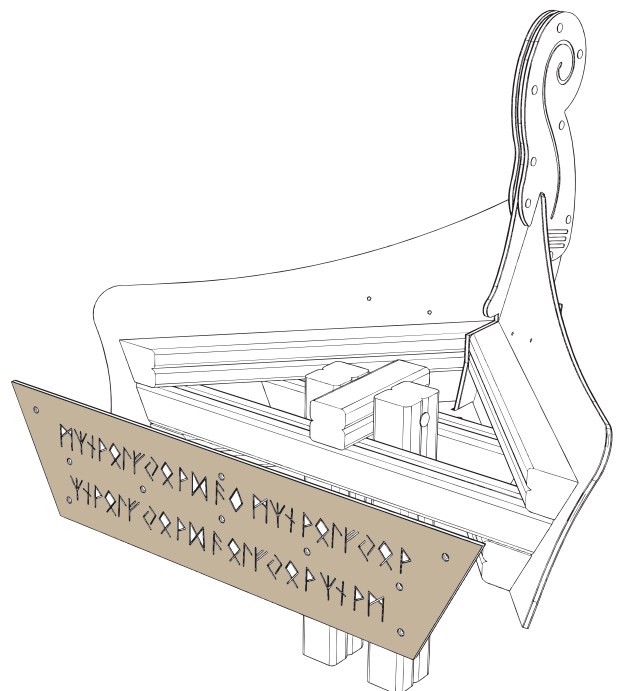
Using 4x FM120 BRASS SCREWS



17

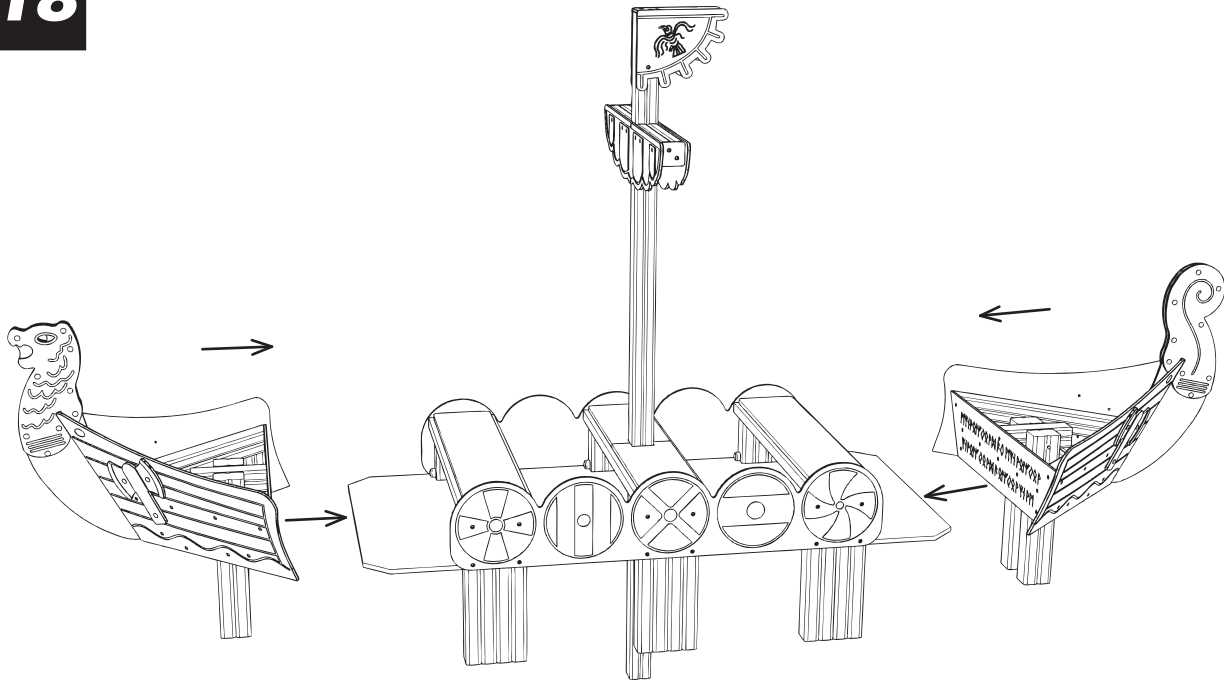
Attach BOW and STERN covers to VOY105c/d/e/f/g

Using 18x FM40 BRASS SCREWS



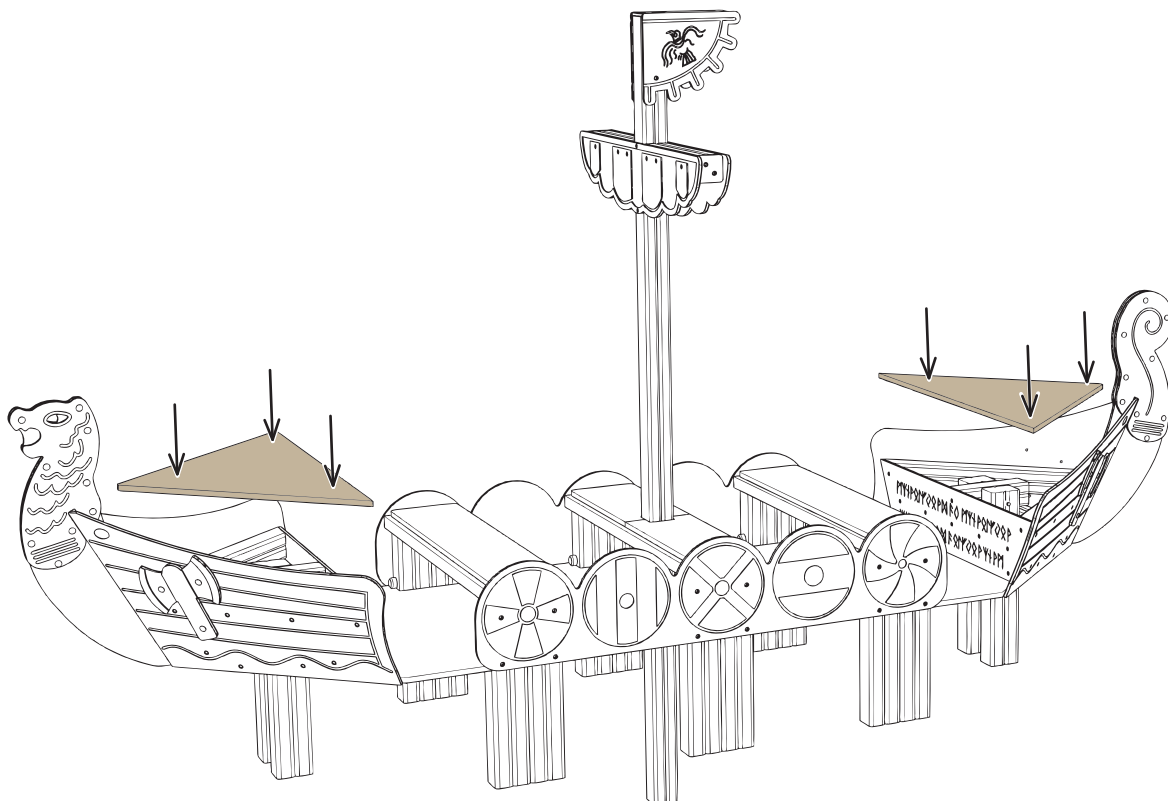
Installation Instructions

18 Attach BOW and STERN ASSEMBLIES



19 Attach BOW and STERN TOPS

Using 26x FM80 BRASS SCREWS



Additional Dimensions

