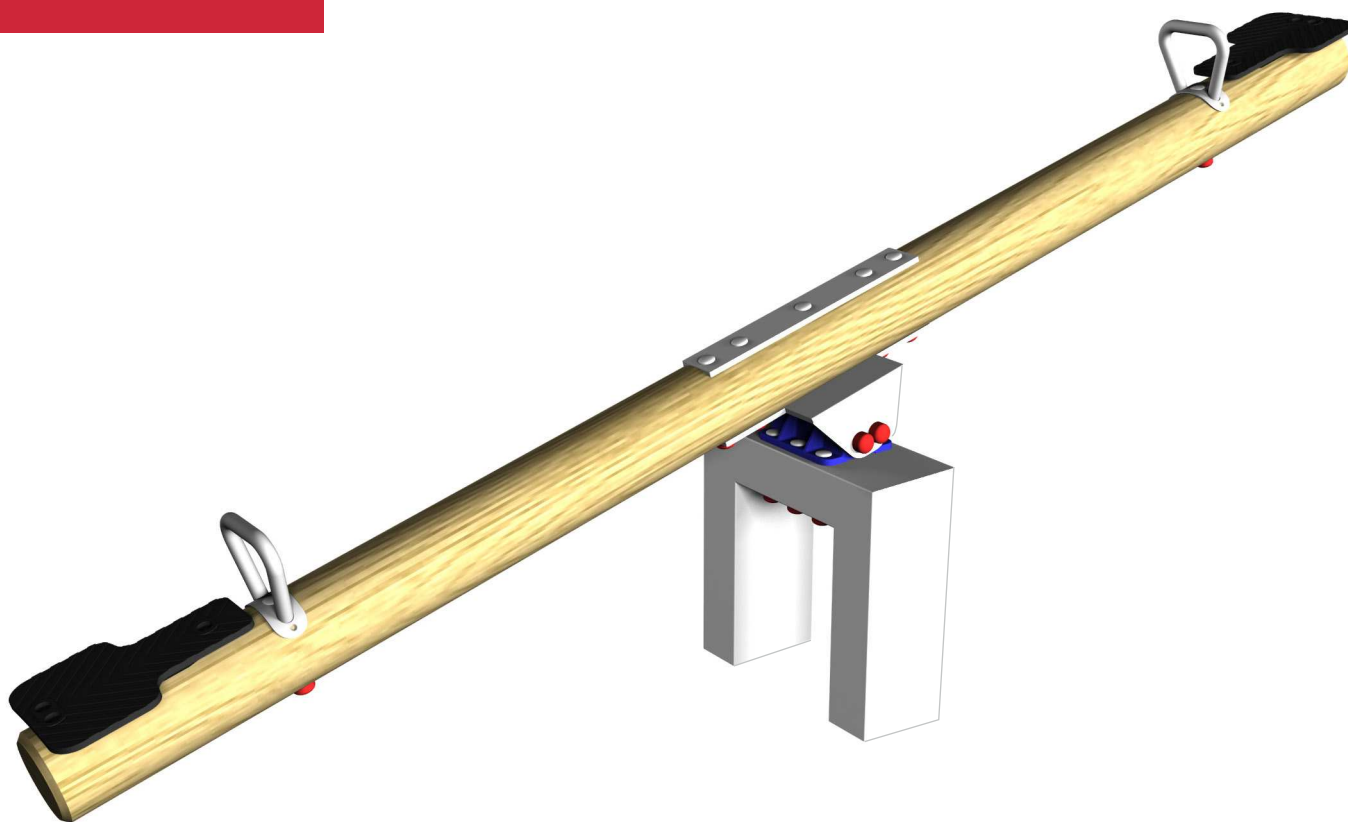


# SEESAW ROUND

creative  
play

FFH: 1.2m  
MIN. AREA: 6.02 x 3.48m



Tanalith E pressure treated European Pine, sanded to produce a high quality finish. The raw material is sourced from well managed sustainable forests.



Fastenings are tamper-proof or capped with secure custom-made plastic tamper proof covers. All footholds have a slip-resistant surface.



High quality countersunk torx head wood screw with special thread. Hardened steel with a brass effect finish.

