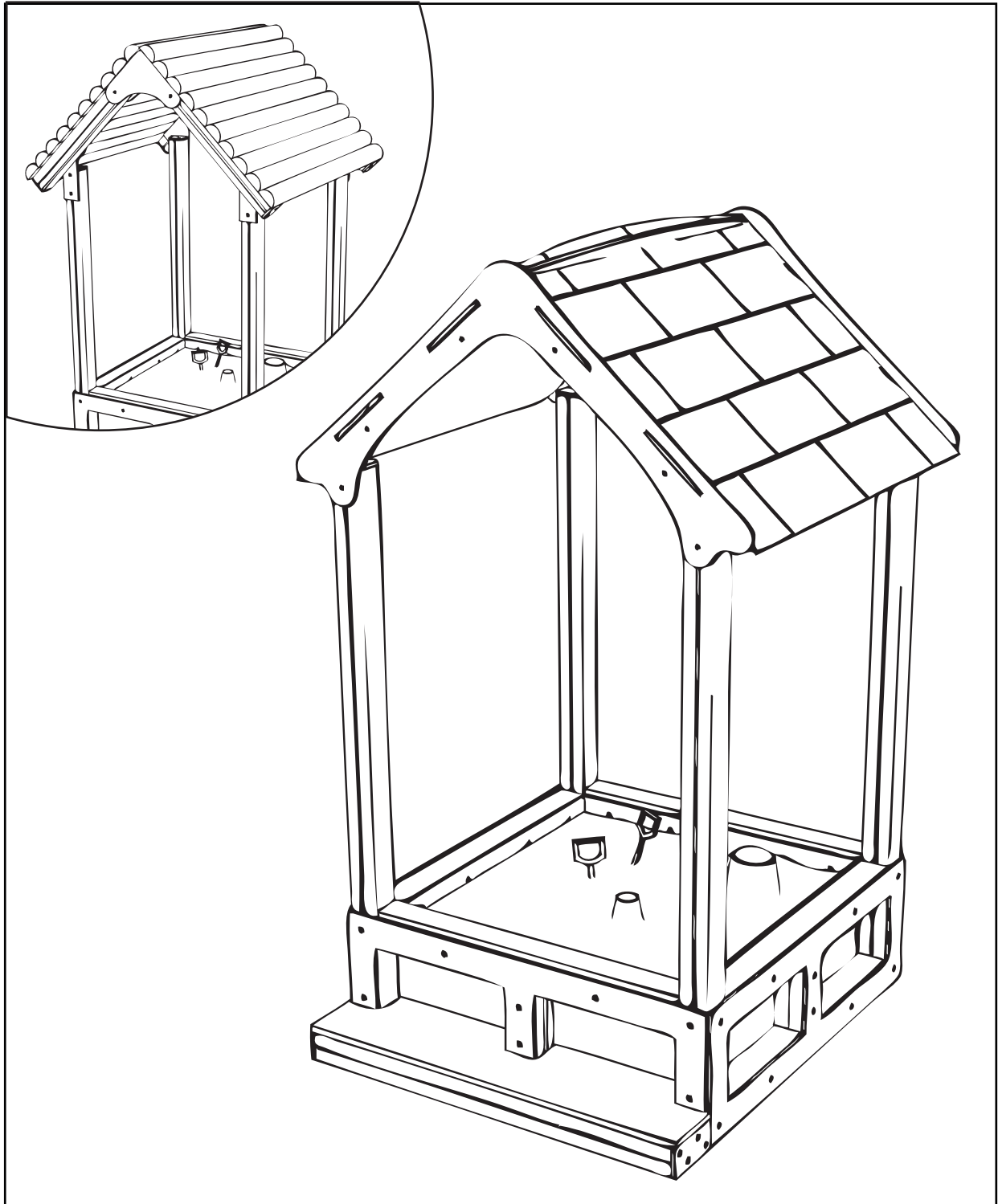


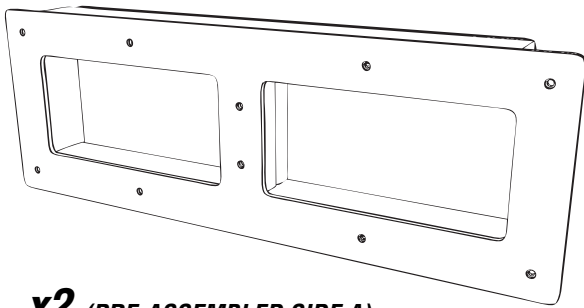
SANDHUT MINOR

Installation Instructions

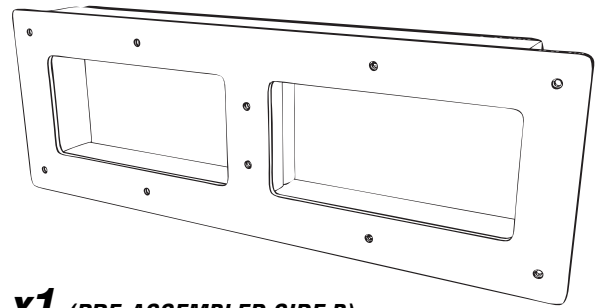
**creative
play**



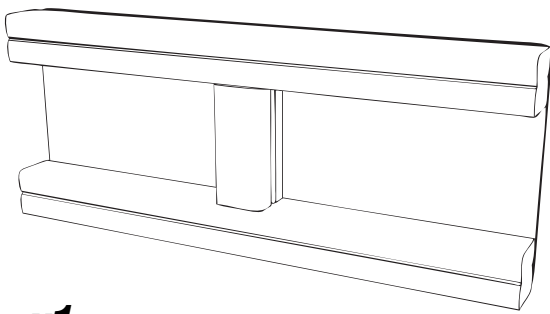
PARTS required



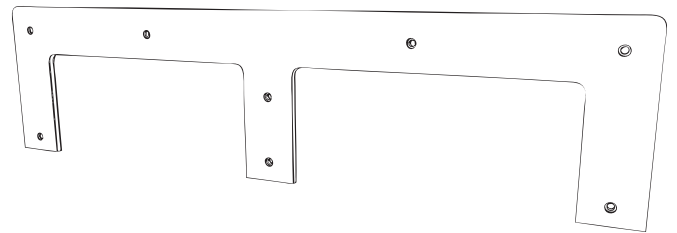
x2 (PRE-ASSEMBLED SIDE A)



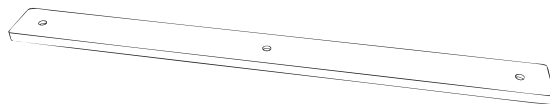
x1 (PRE-ASSEMBLED SIDE B)



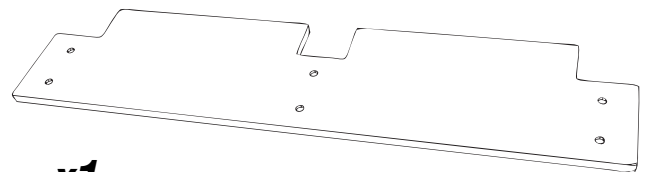
x1 (PRE-ASSEMBLED SIDE C)



x1 (PLAYTEC PANEL - SIDE C)

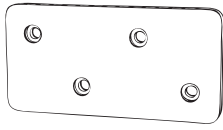


x2 (HEX SLATS)

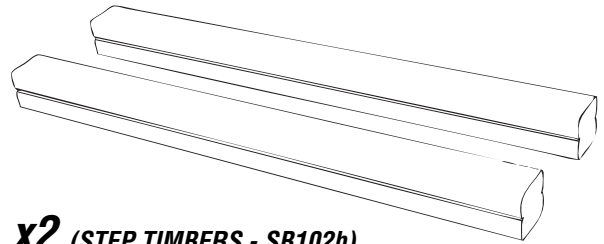


x1 (HEX STEP)

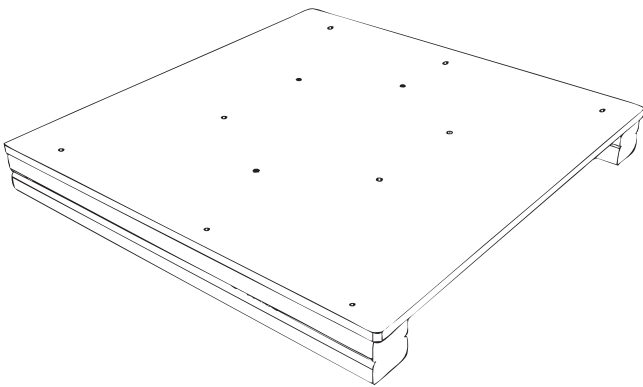
PARTS required



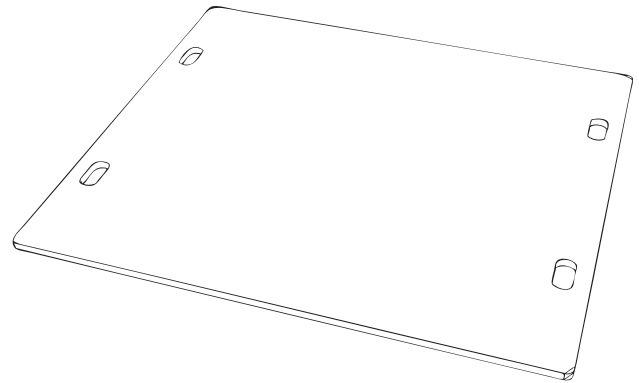
X2 (STEP PLAYTEC CAPS)



X2 (STEP TIMBERS - SB102b)



X1 (PRE-ASSEMBLED FLOOR)




X1 (HEX LID)



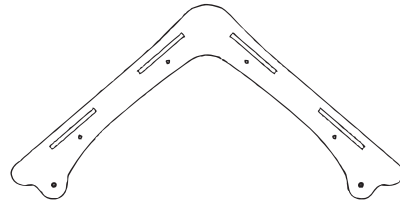
X6 (FM180 'Brass screws')

X40 (FM80 'Brass screws')

PARTS required (STANDARD ROOF)

 **x8** (ROOF CLIPS)

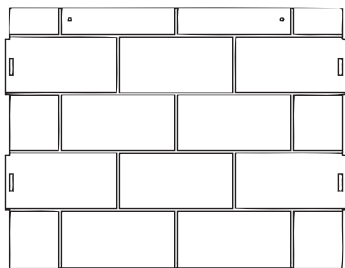
 **x1** (TOP ROOF CLIP)

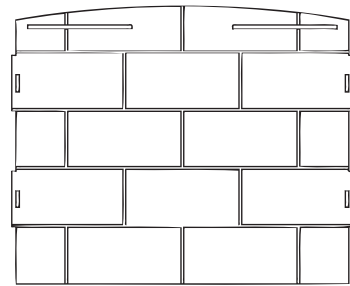
 **x2** (SIDE ROOF)

 **x10** (N1 - TORQTAINER)

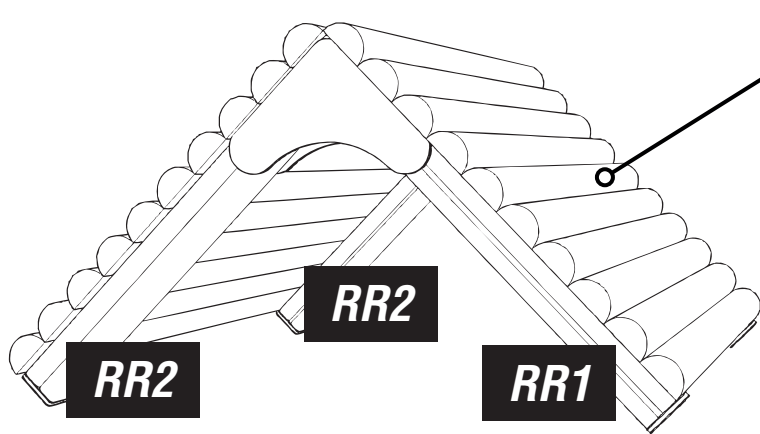
 **x10** (3B- TORQTAINER)

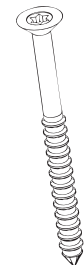
 **x4** (FM80 ' Brass screws')

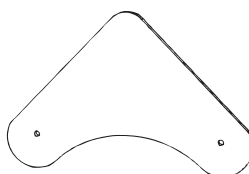
 **x1** (FRONT ROOF)

 **x1** (BACK ROOF)

PARTS required (RUSTIC ROOF)

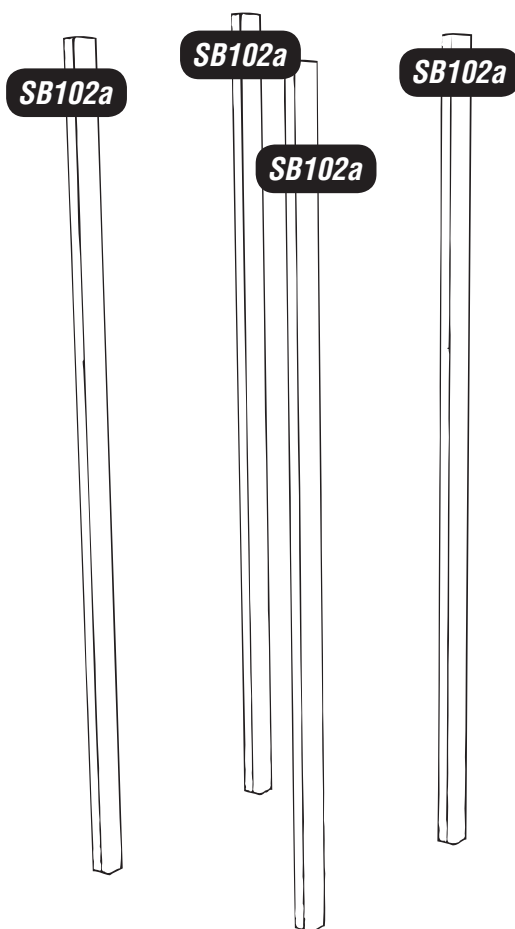
 **RR3** **x20** (HALF ROUND TIMBERS)
RR2 **x2**
RR1 **x2**

 **x64** (FM80 ' Brass screws')

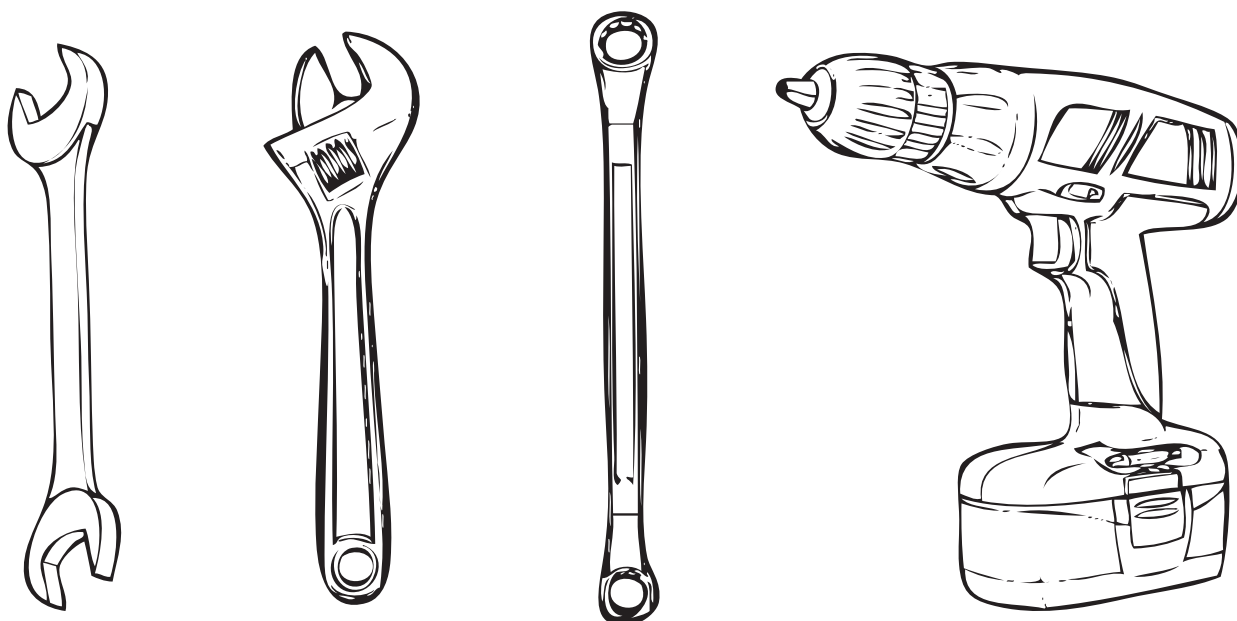
 **x4** (TOP RUSTIC ROOF)

 **x2 LEFT** (SIDES RUSTIC ROOF)
x2 RIGHT (SIDES RUSTIC ROOF)

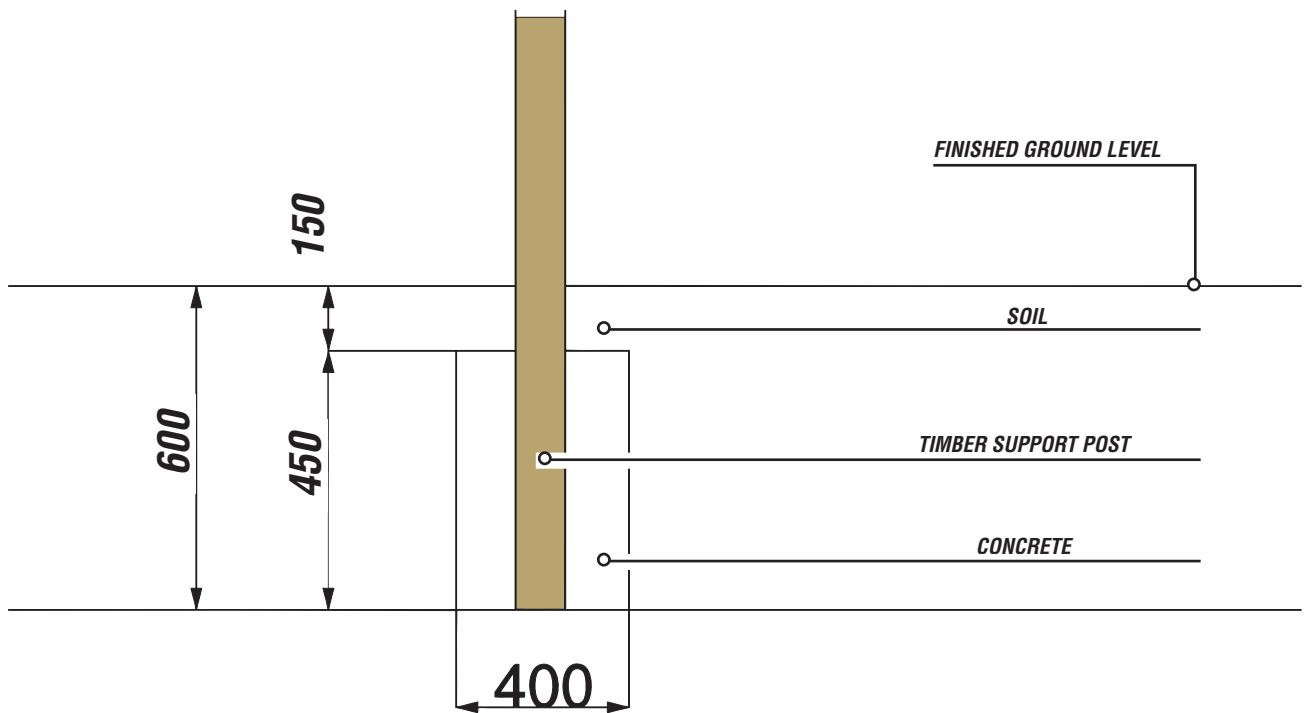
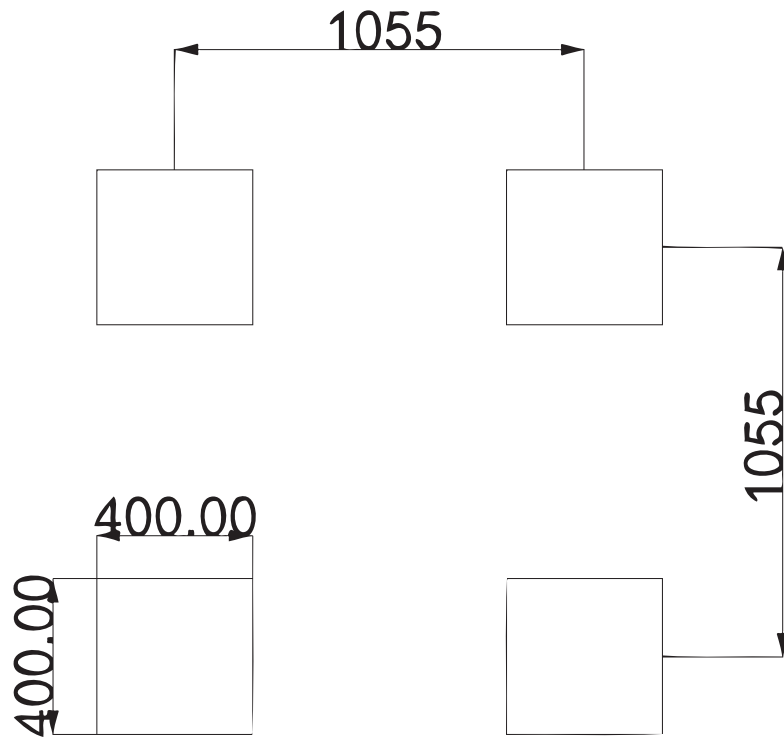
TIMBERS required



TOOLS required



Foundation Details

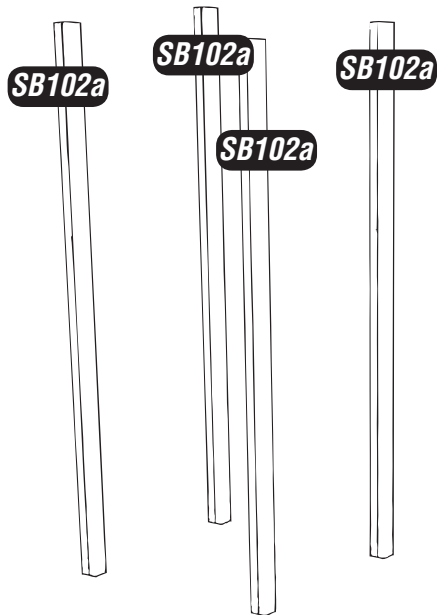


Installation Instructions

1

Install the timbers SB102a

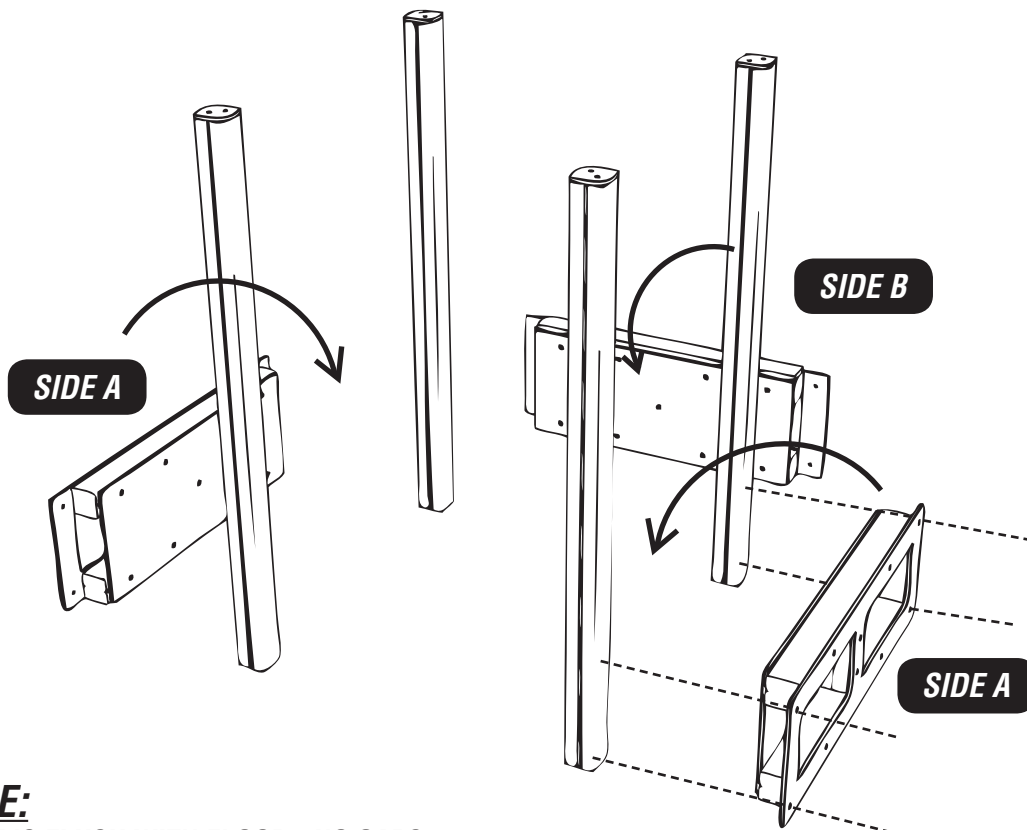
Follow foundation details



2

Attach SIDES A AND B to UPRIGHTS

Using FM80 BRASS WOOD SCREWS



ENSURE:

EACH SIDE IS FLUSH WITH FLOOR - NO GAPS

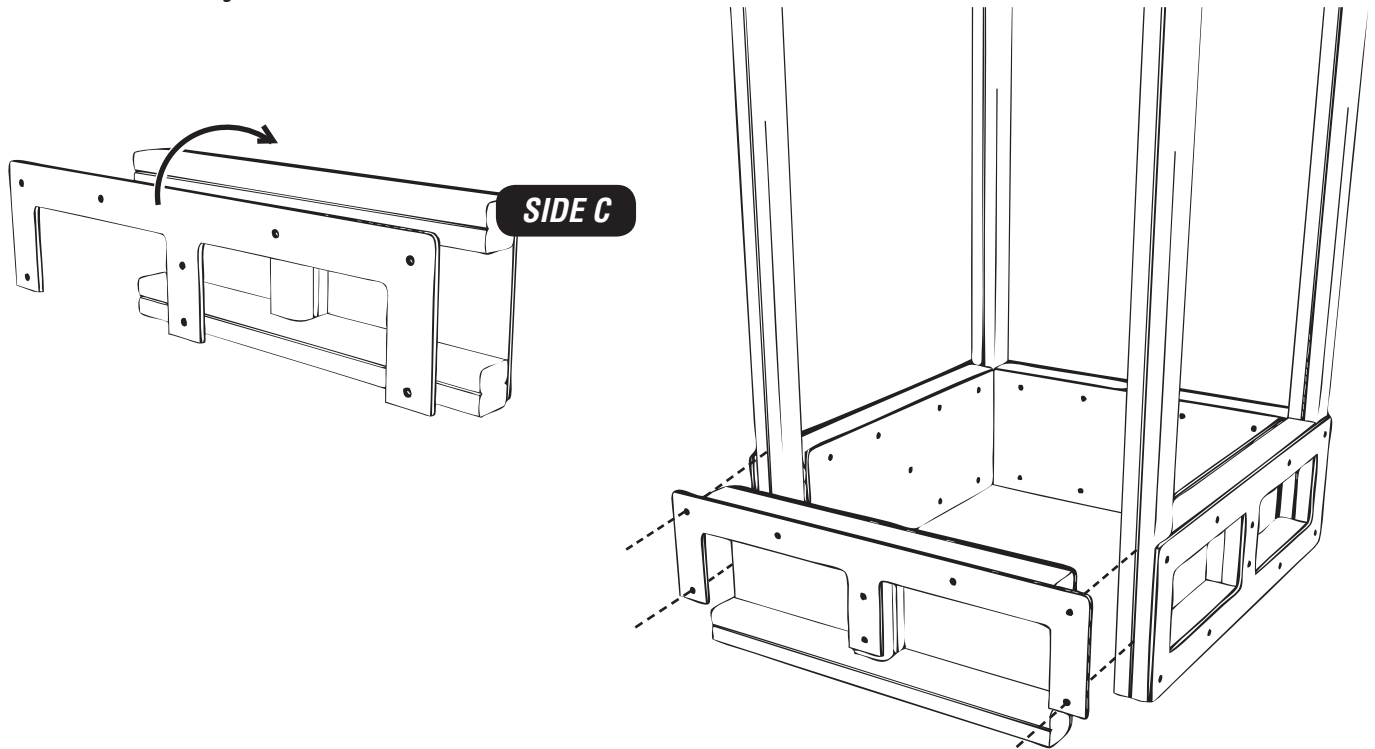
ENSURE THAT THEY ARE ALL LEVEL WITH EACH OTHER ALSO

Installation Instructions

3

Attach PLAYTEC PANEL to PRE-ASSEMBLED SIDE C and Attach TO UPRIGHTS - as step 2

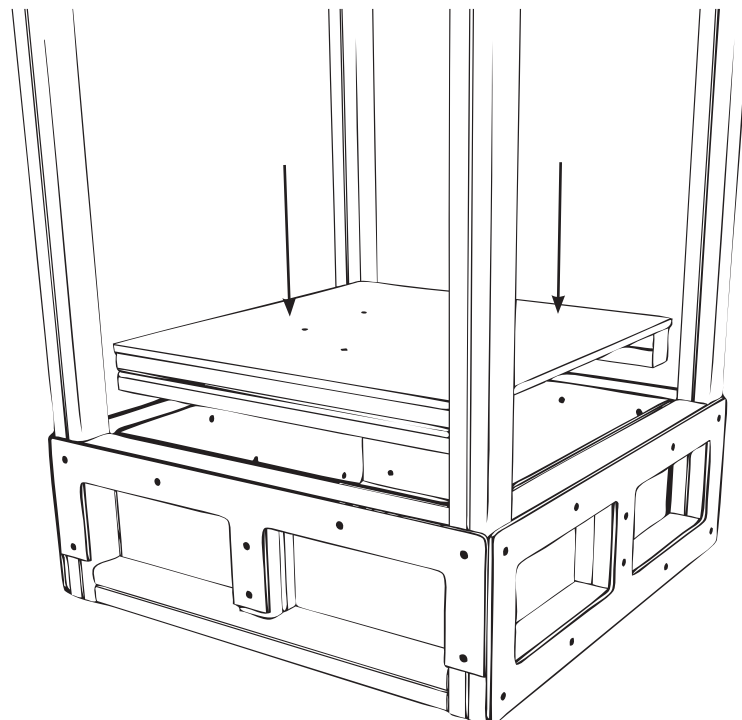
Using FM80 BRASS WOOD SCREWS



4

INSERT PRE-ASSEMBLED FLOOR

NO NEED TO FIX IN PLACE

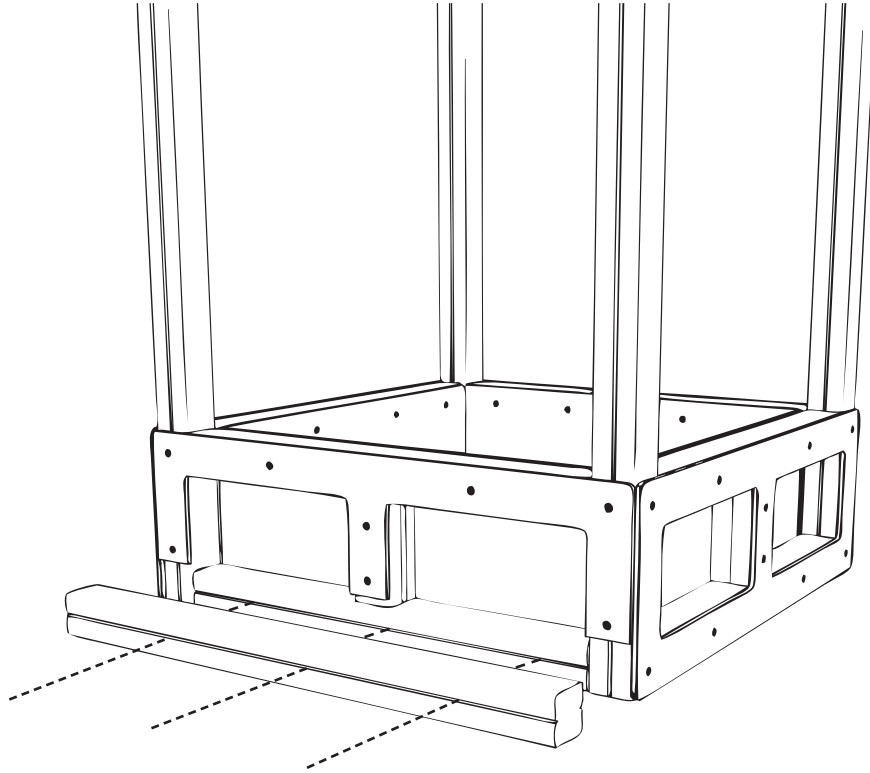


Installation Instructions

5

ATTACH 1 x STEP TIMBER TO MAIN STRUCTURE

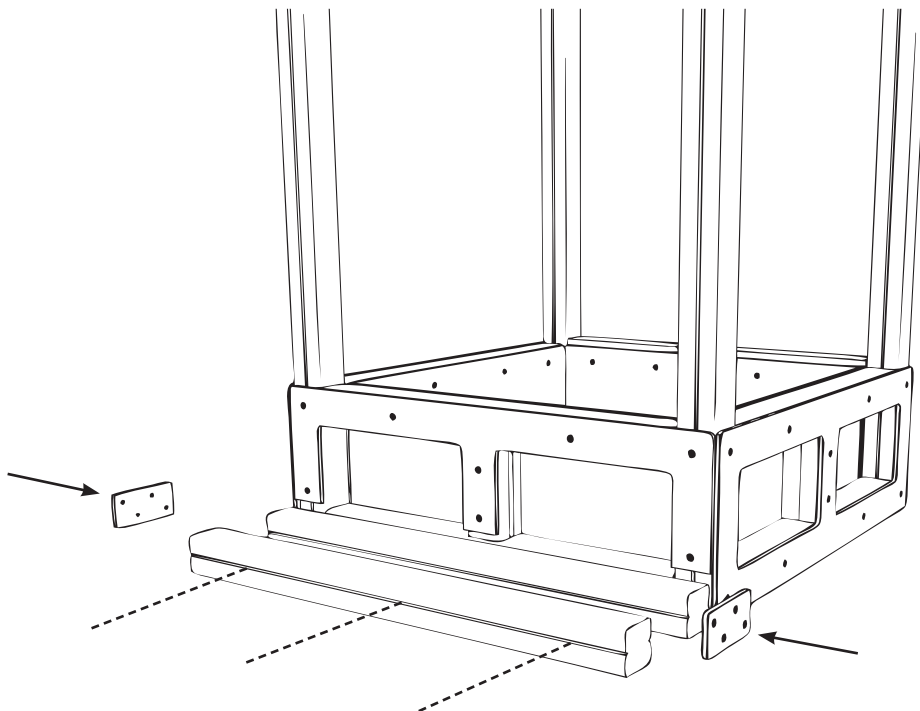
Using FM180 BRASS WOOD SCREWS



6

SCREW ON 2ND STEP TIMBER TO EXISTING and CAP EACH END

Using FM180 BRASS WOOD SCREWS for the step and FM80 BRASS WOOD SCREWS for the caps

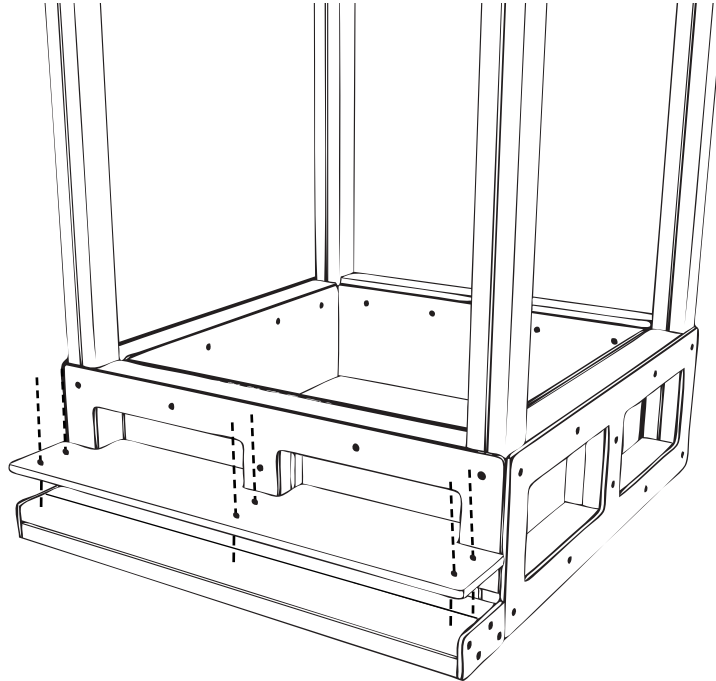


Installation Instructions

7

ATTACH HEX STEP PANEL ON TOP OF TIMBERS

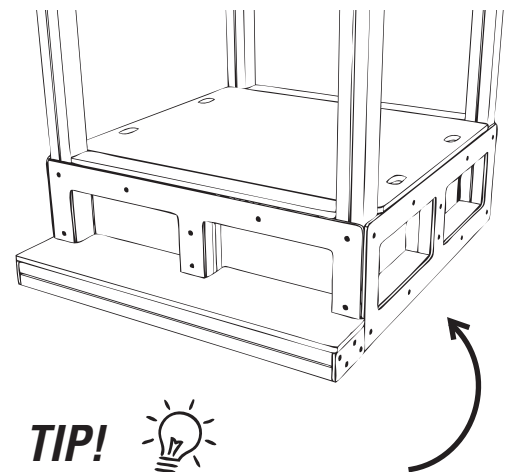
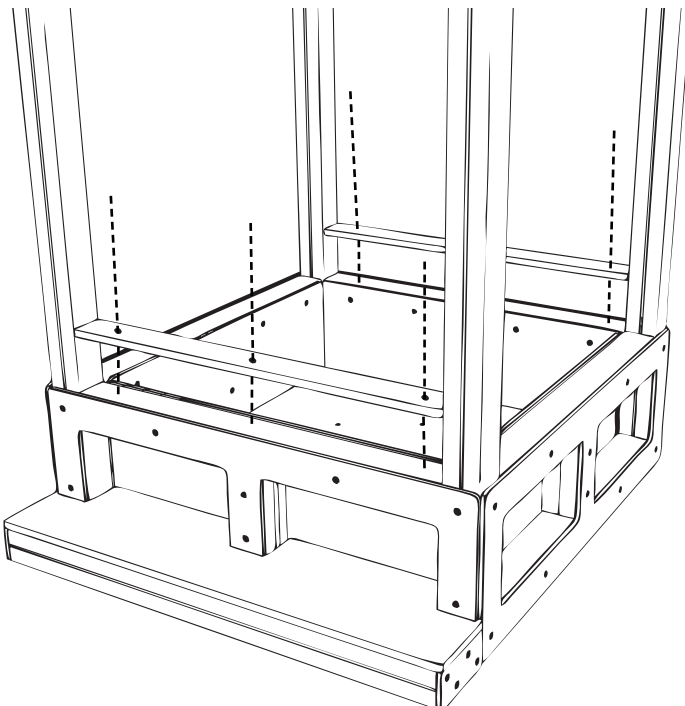
ENSURE YOU SECURE LEAVING NO GAP BETWEEN PLAYTEC SIDE AND HEX - Using FM80 BRASS WOOD SCREWS



8

Attach HEX SLATS ON TOP OF SIDE B and C

Using FM80 BRASS WOOD SCREWS



TIP!



LAY THE HEX LID ON TOP BEFORE SCREWING SLATS INTO PLACE TO ENSURE THEY ARE SNUG WITH THE LID, HOLDING IT PLACE WHEN ON.

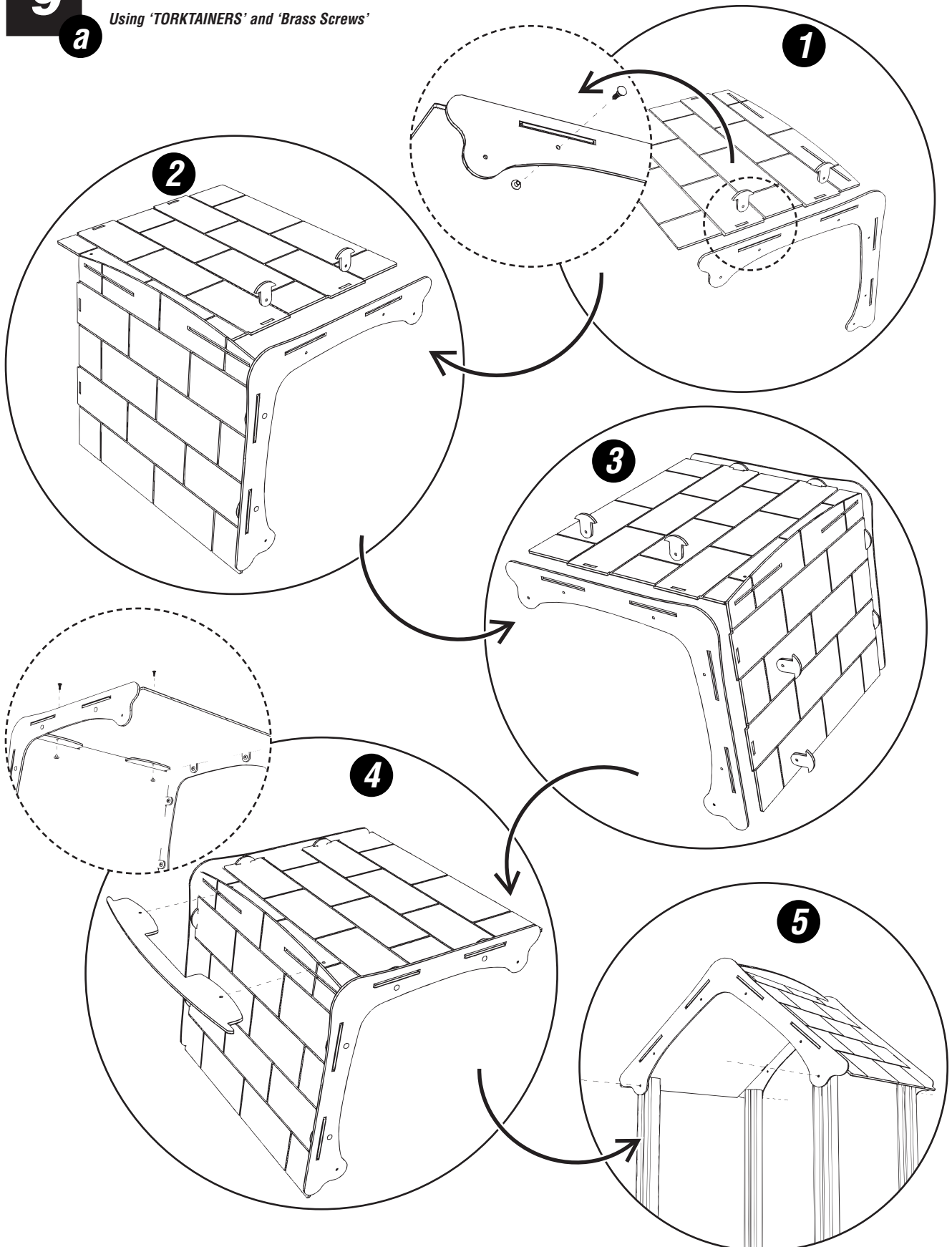
Installation Instructions

9

Attach the roof Parts (NORMAL ROOF)

a

Using 'TORKTAINERS' and 'Brass Screws'



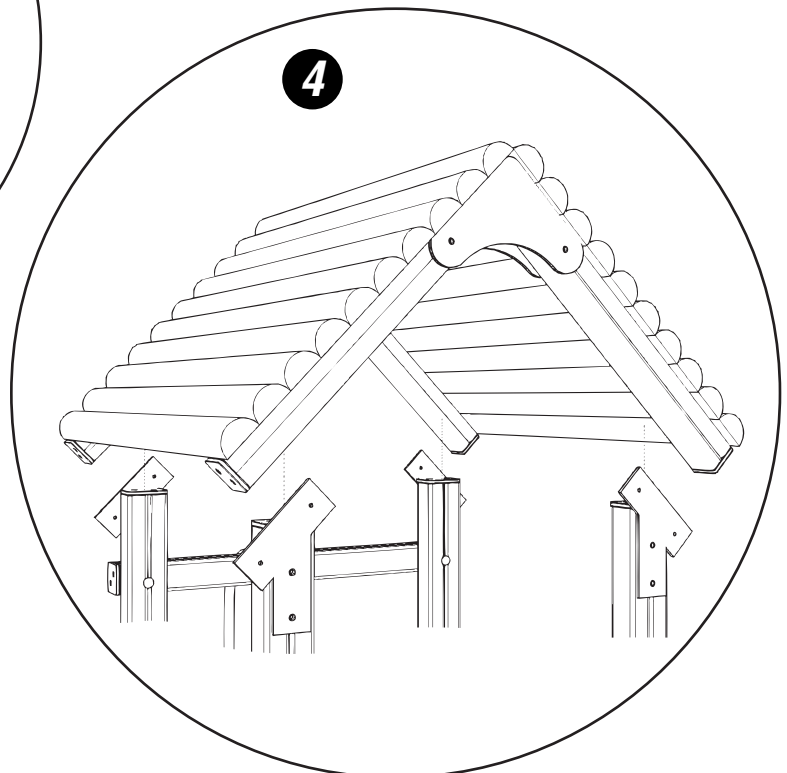
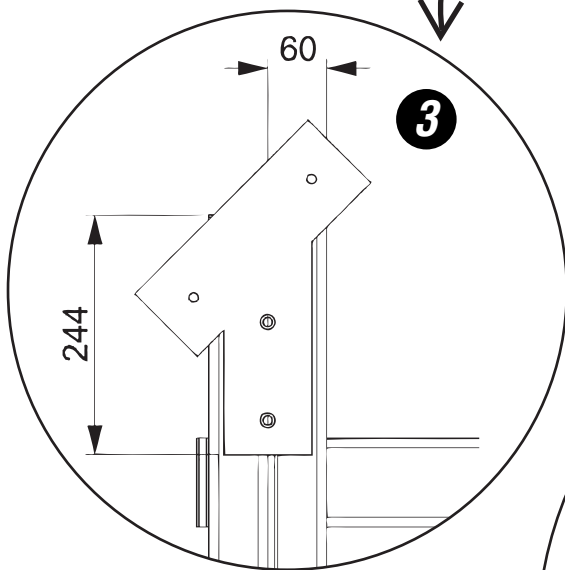
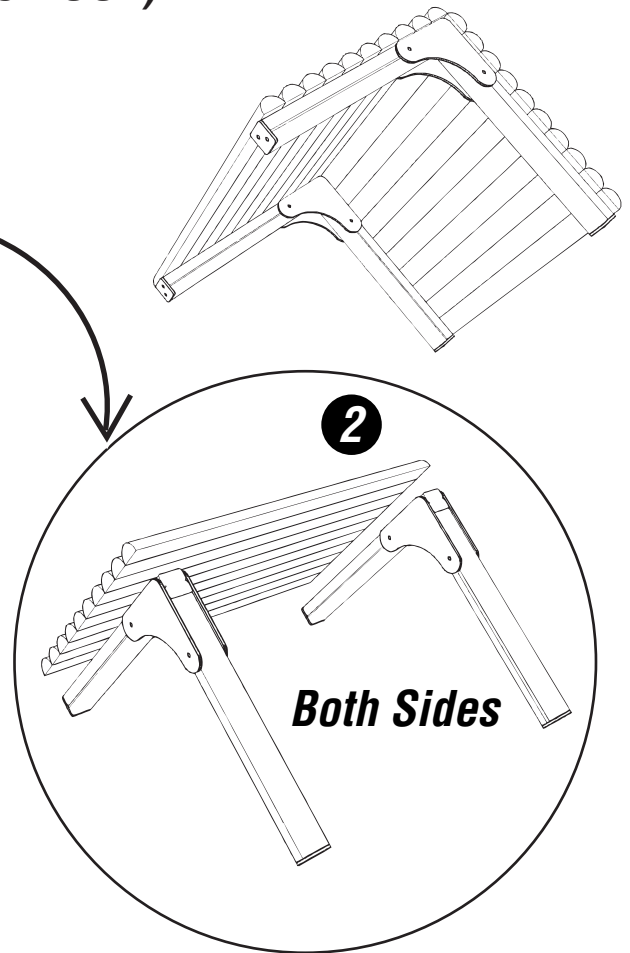
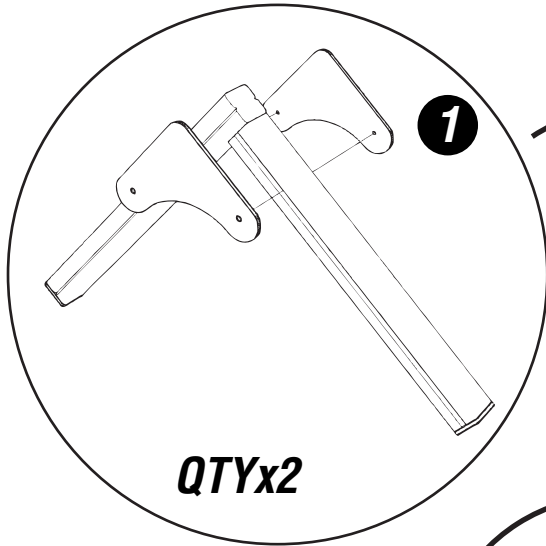
Installation Instructions

9

Attach the roof Parts (RUSTIC ROOF)

b

Using 'Brass Screws'



Additional Dimensions

