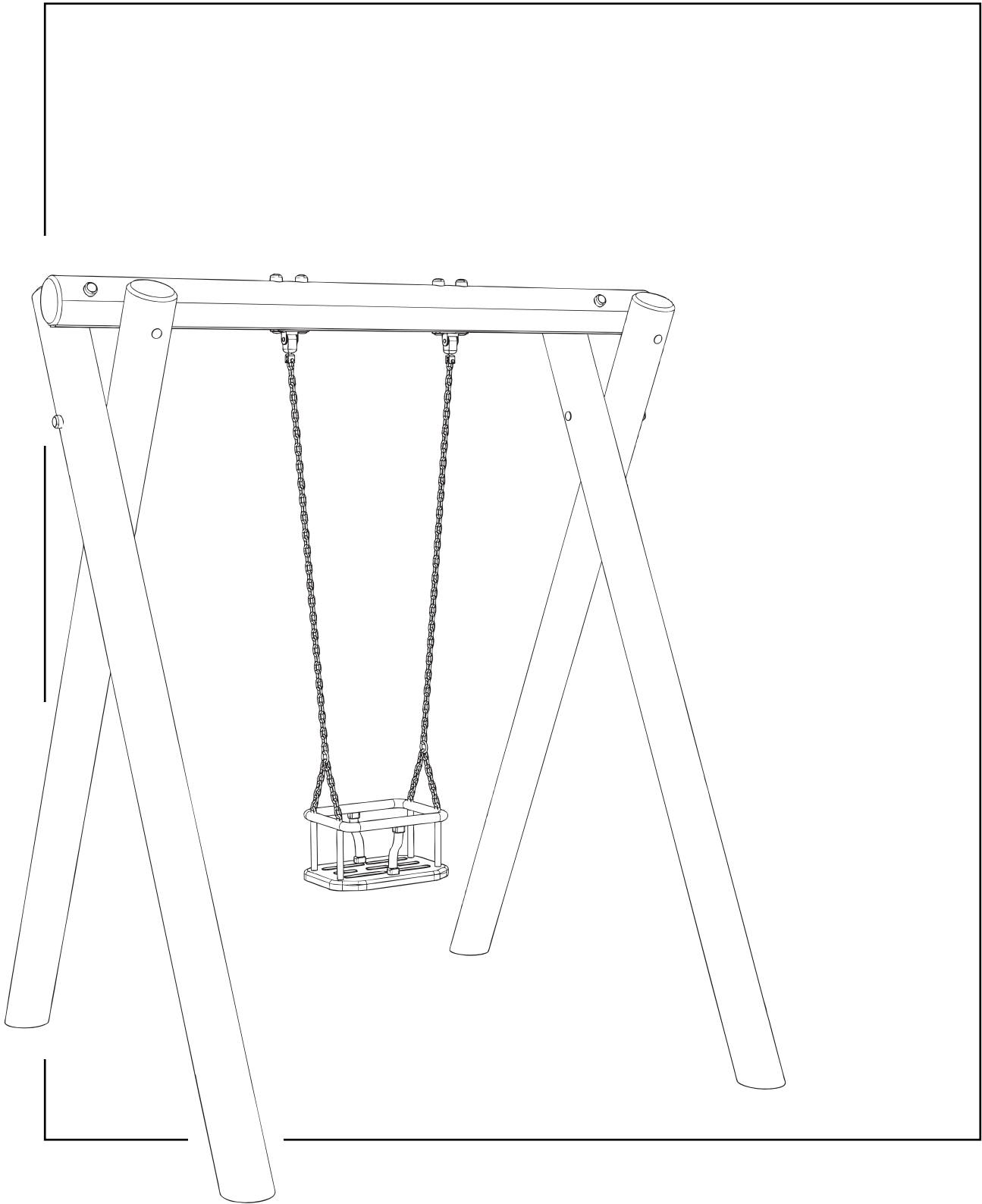
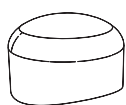


SINGLE SWING ROUND (CRADLE SEAT)

Installation Instructions



PARTS required



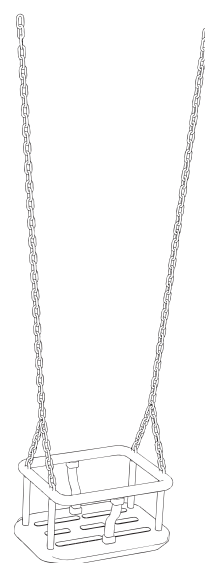
x6 (end caps R60)



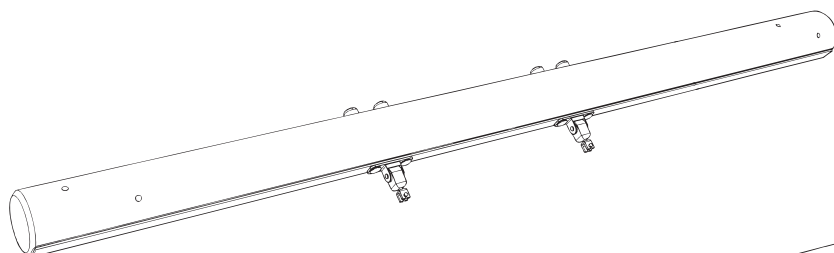
x6 (M12 x 310 Square Cup HEX bolt)



x6 (M12 'NYLOC')

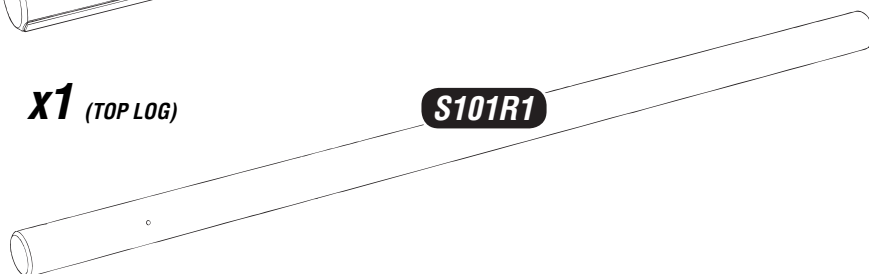


x1 (GRADLE SEAT inc chain)



x1 (TOP LOG)

S101R1

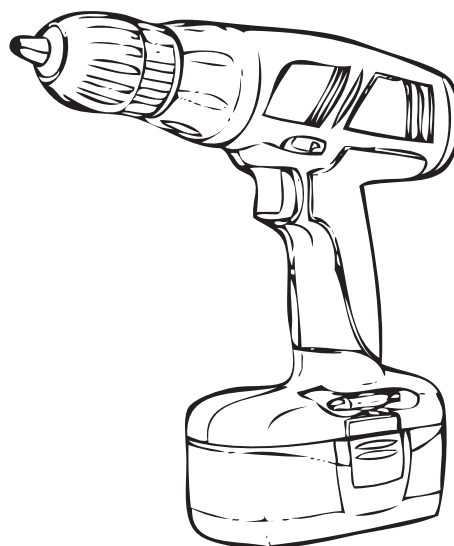


x4 (LEG LOG)

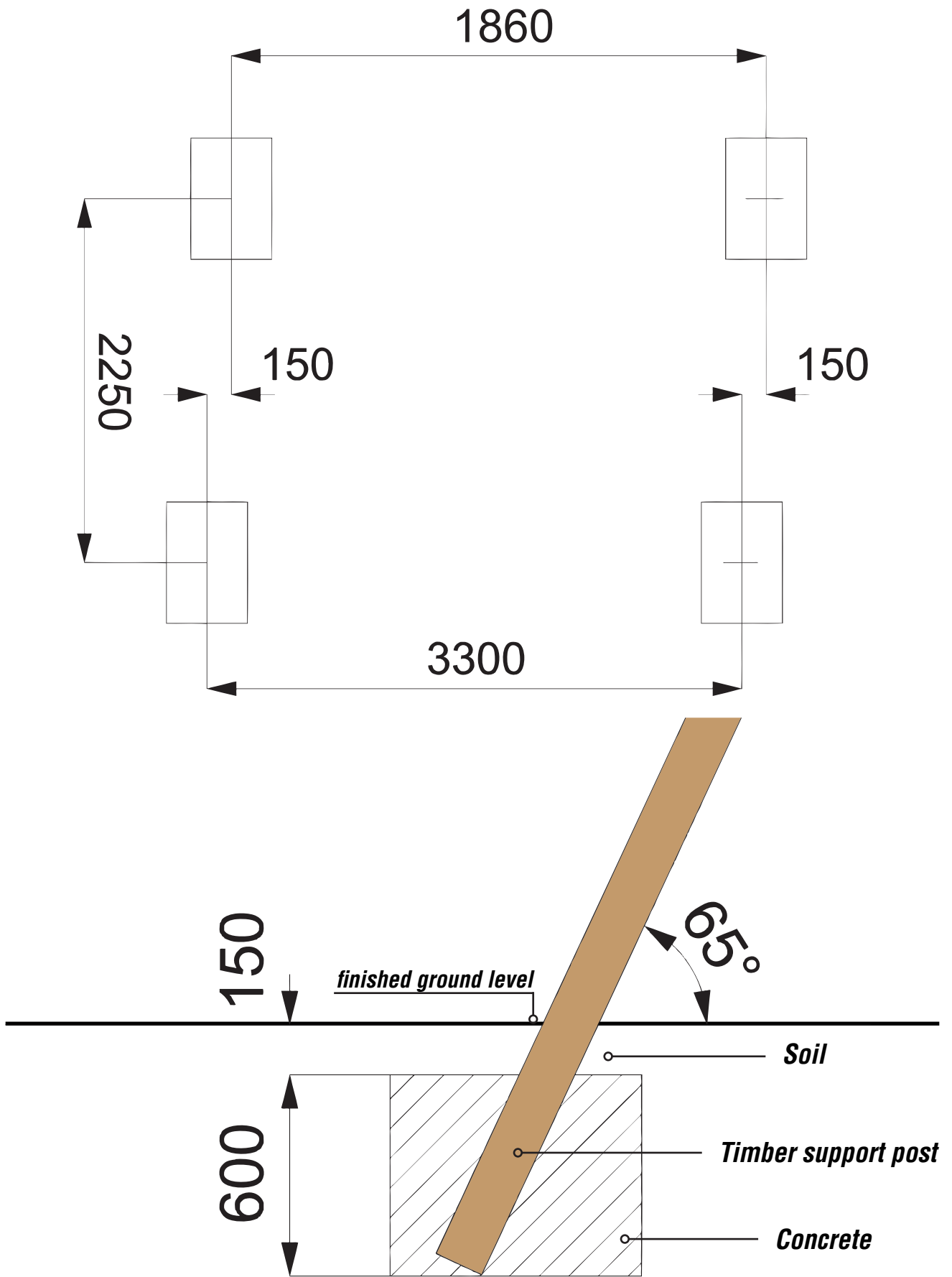


x8 (nut caps M8)

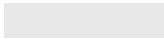

TOOLS required

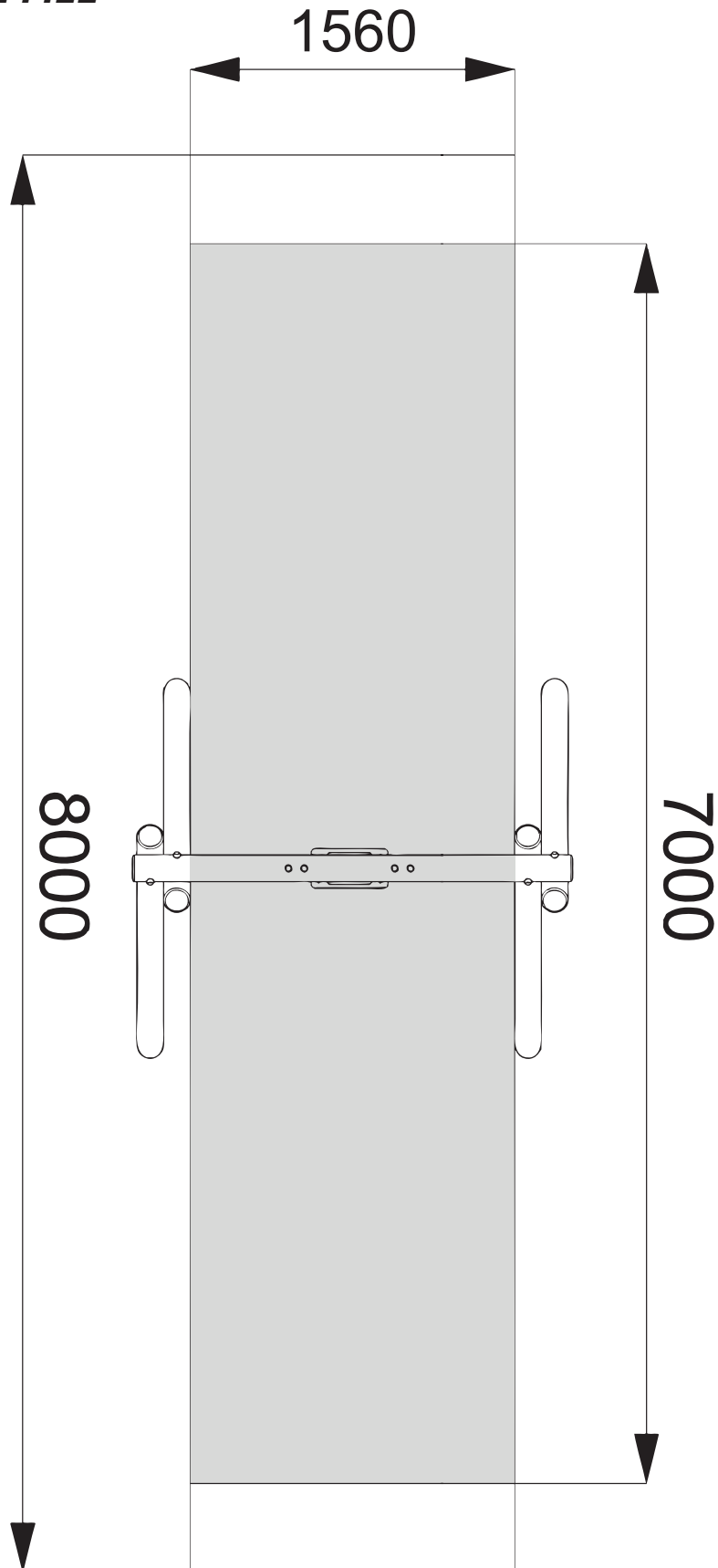


Foundation Details



Surfacing Details

 = **SYNTHETIC**
 = **LOOSE FILL**



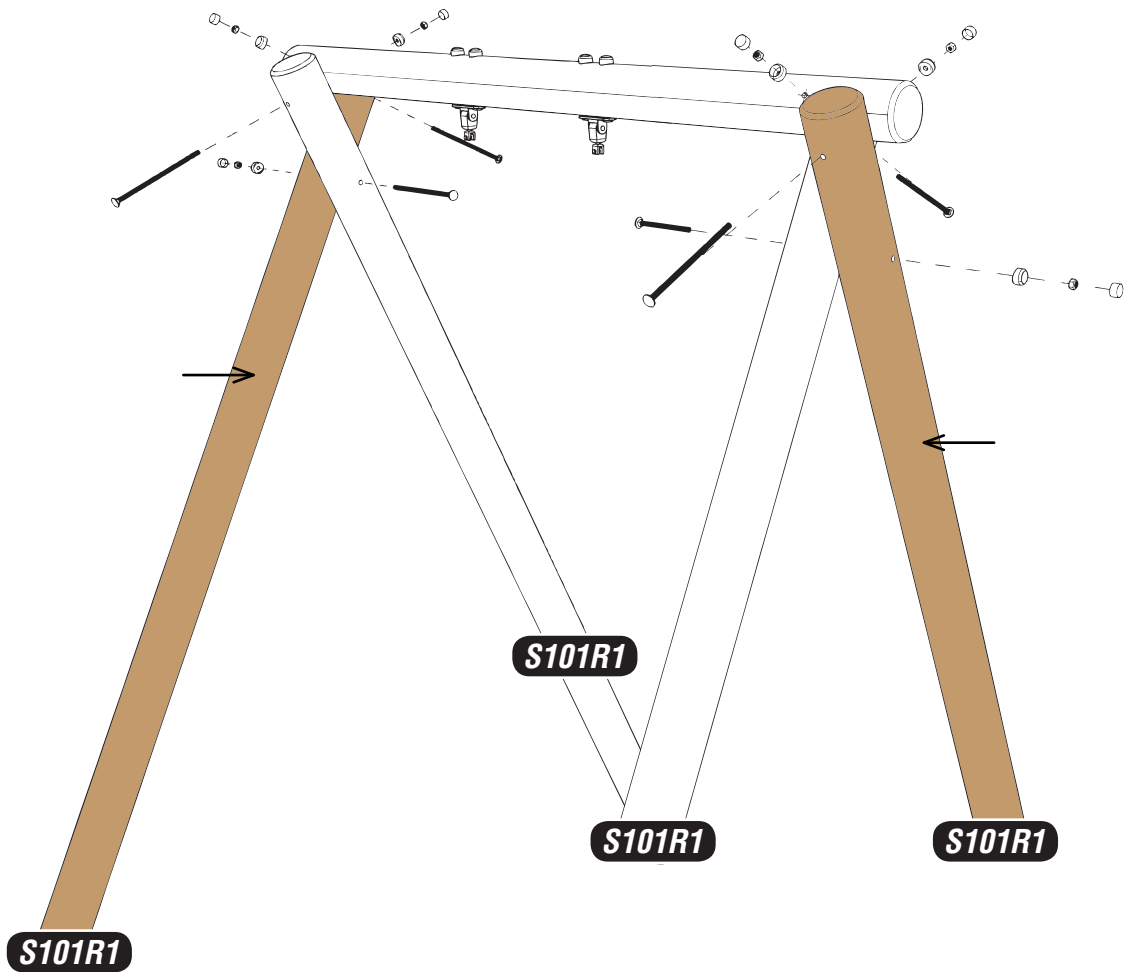
Installation Instructions

1

Build the SWING FRAME

Using (6x 310mm) M12 - square cup bolt / 6x NYLOCS / 6x Covered end cap R60

OUTSIDE TIMBERS



ENSURE:

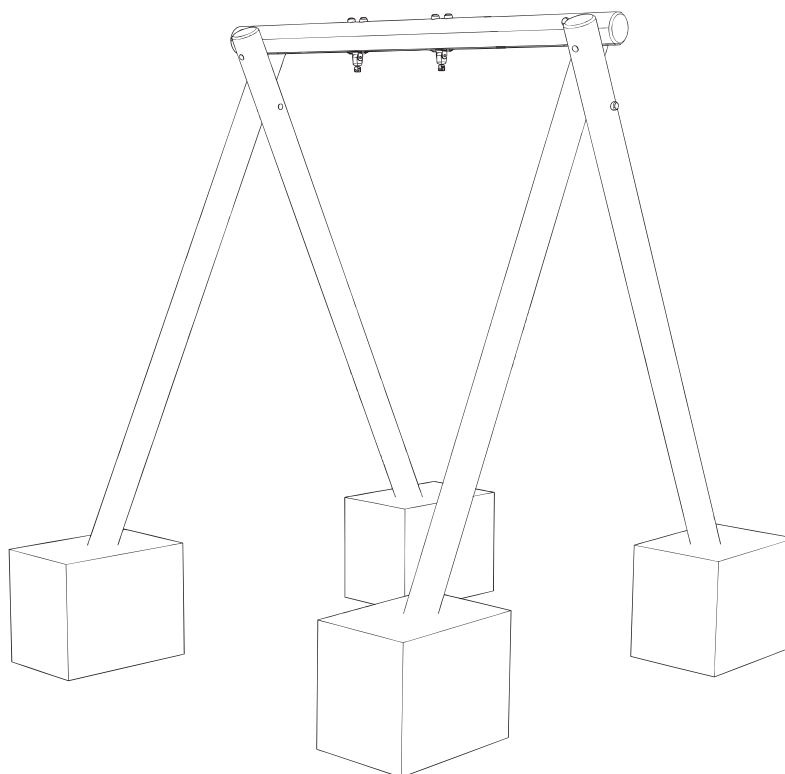
TIMBERS ARE ATTACHED AS SHOWN ABOVE

Installation Instructions

2

Install Assembly

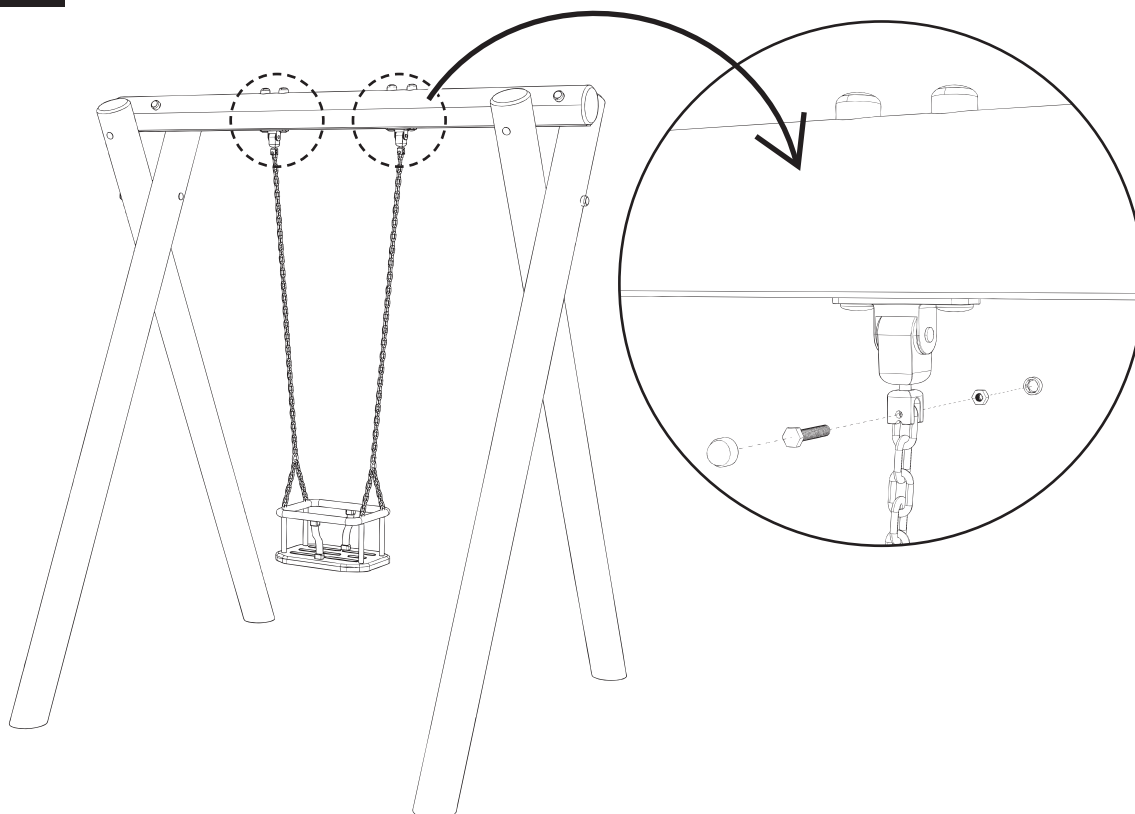
Follow Foundation details



3

Install FLAT SEAT

Additional dimensions details



Additional Dimensions

