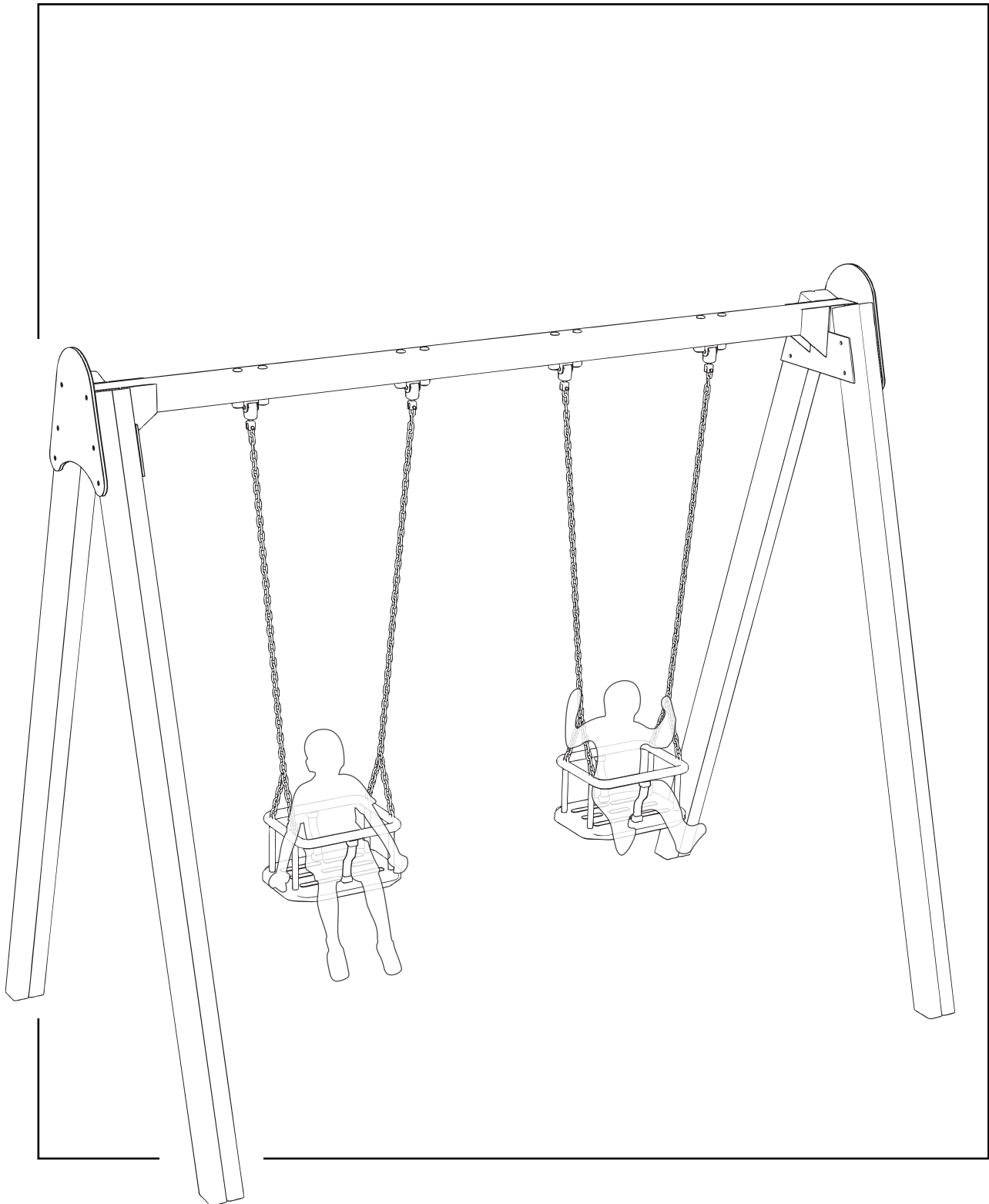


# **DOUBLE SWING (CRADLE SEAT)**

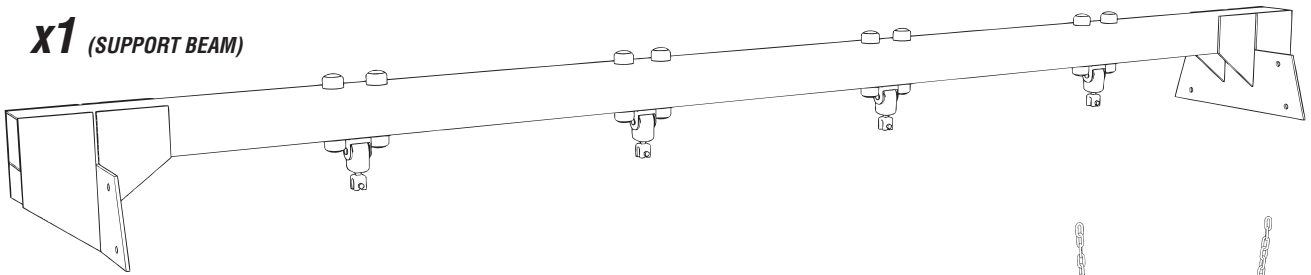
## ***Installation Instructions***

**creative  
play**



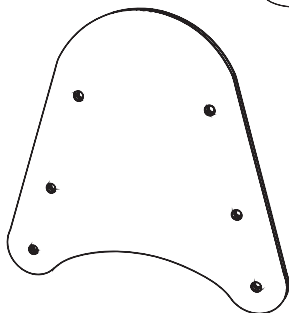
# PARTS required

**x1** (SUPPORT BEAM)



**x8** (small caps blue)

**x8** (nut caps M8)



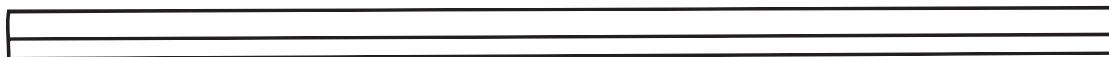
**x2** (COVERS)



**x20** (FM80 'Brass screws')



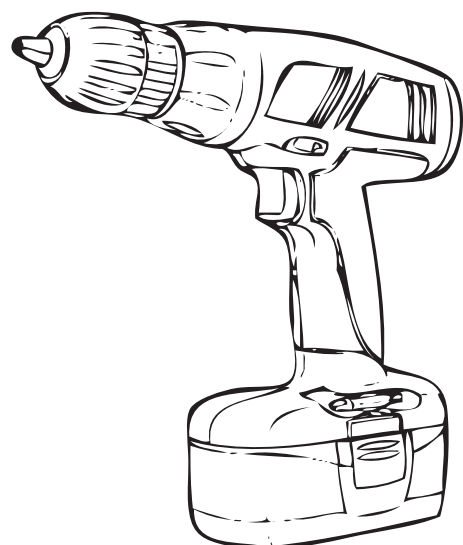
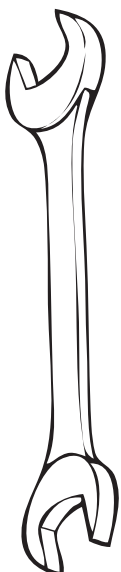
**x2** (CRADLE SEAT inc chain)



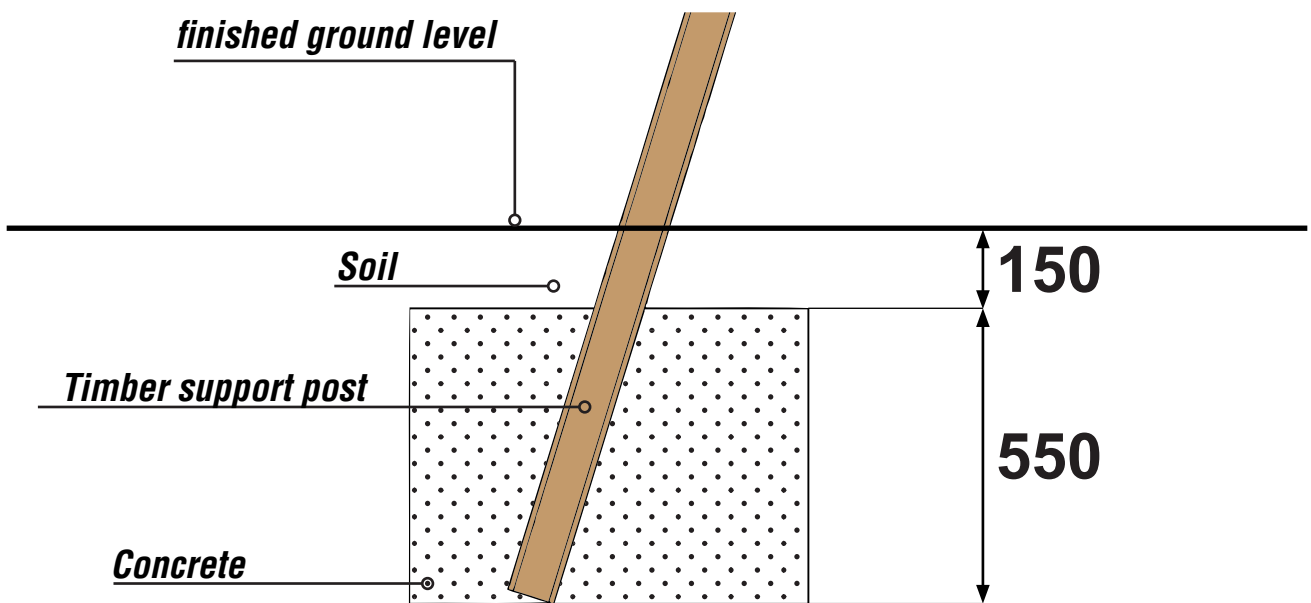
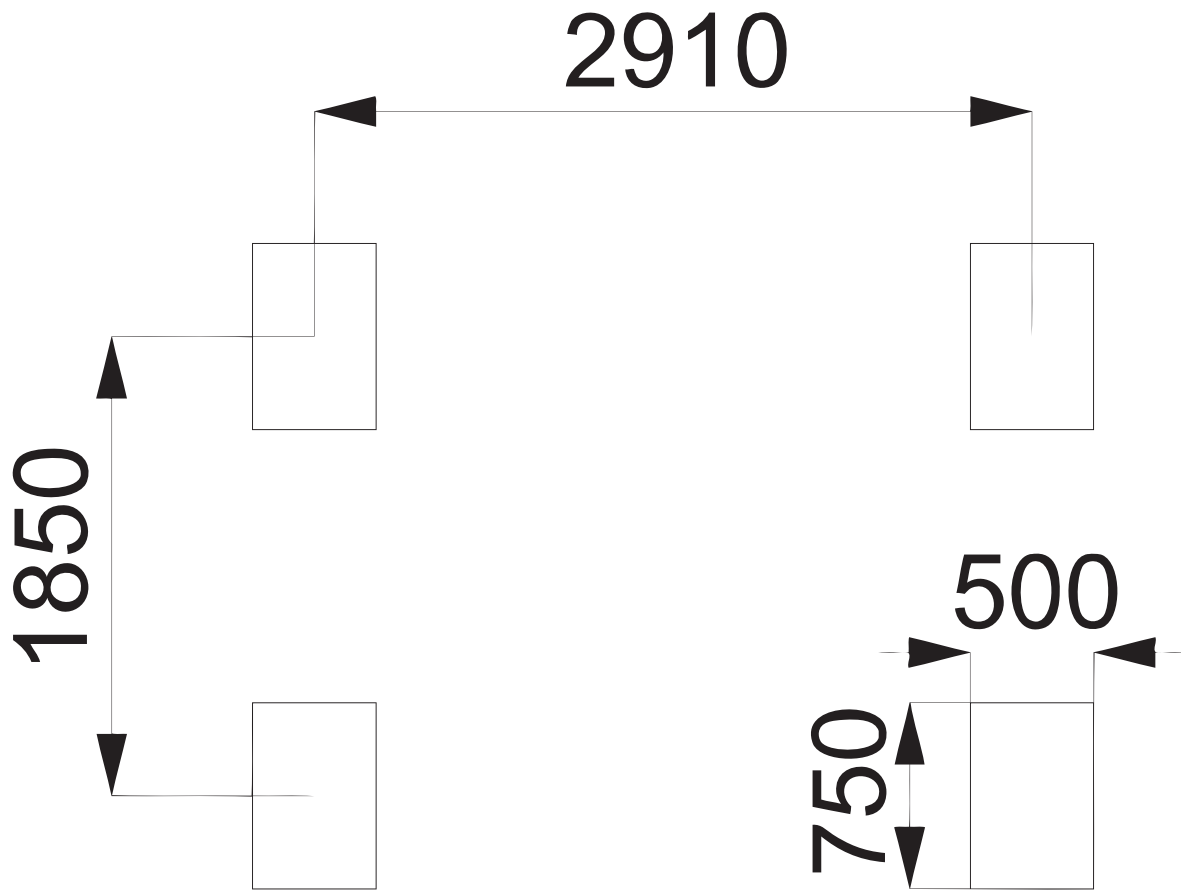
**S1**

**x4** (Uprights)

# TOOLS required

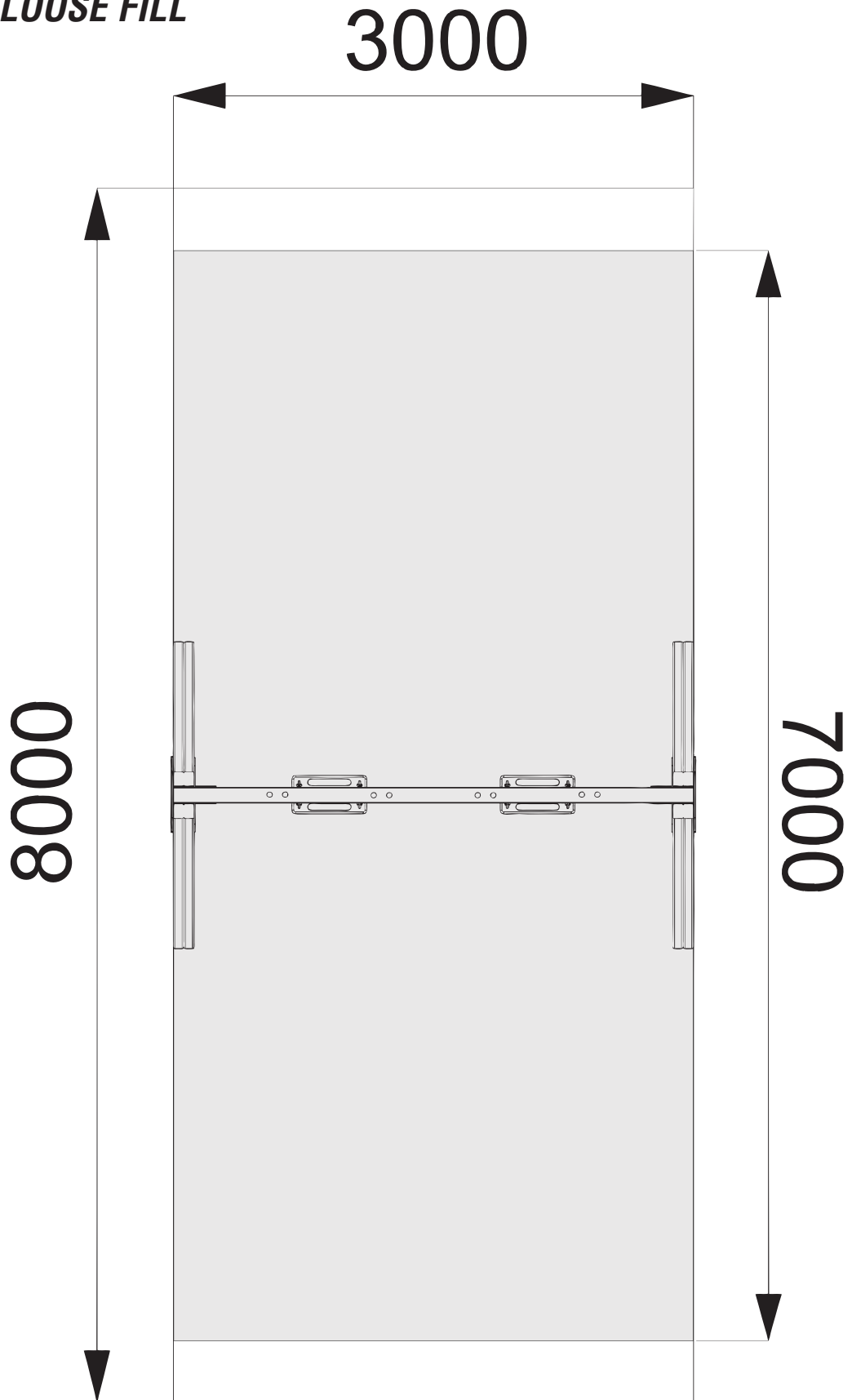


# Foundation Details



# Surfacing Details

■ = *SYNTHETIC*  
— = *LOOSE FILL*



# Installation Instructions

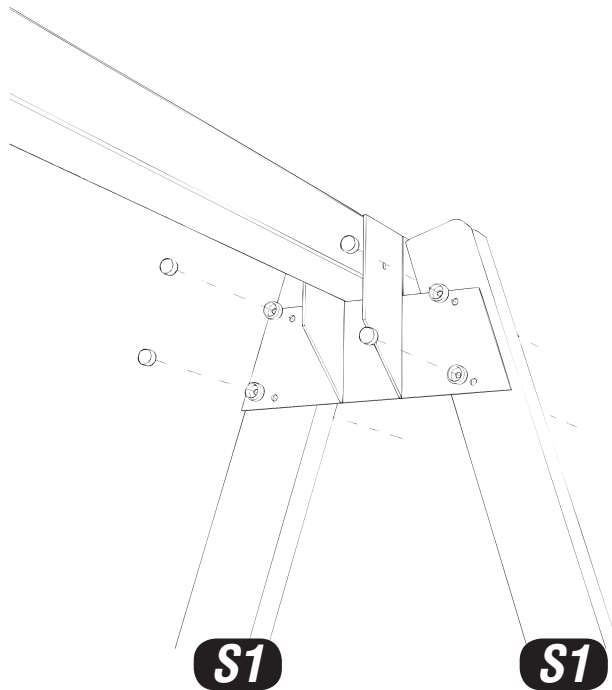
**1**

## Attach the **TIMBERS S1** to the **SUPPORT BEAM**

Using 8x FM 80 'Brass Screws' / 10x SMALL CAPS

### NOTES:

EACH SIDE



**2**

## Attach **PLAYTEC COVER** to the **TIMBERS S1**

Using 12x FM 80 'Brass Screws'

### NOTES:

EACH SIDE

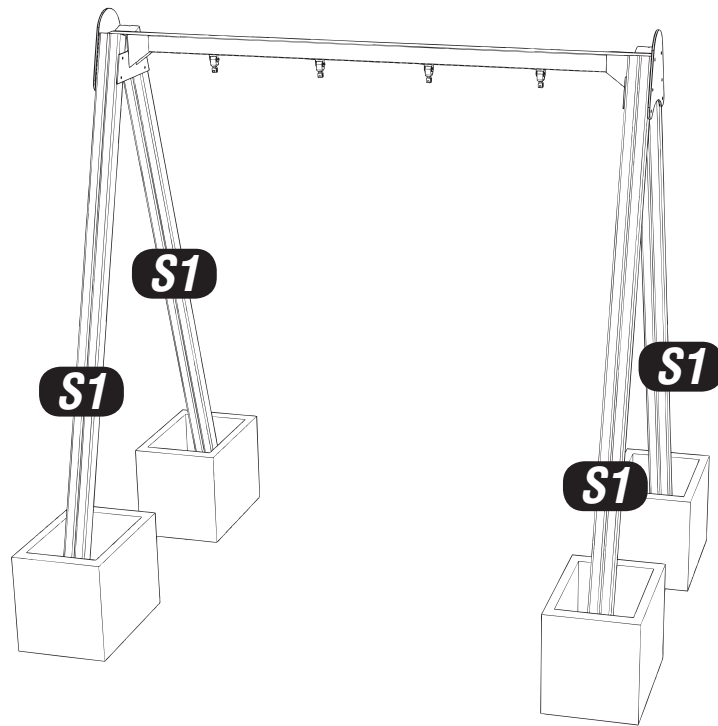


# Installation Instructions

**3**

## Install the assembly

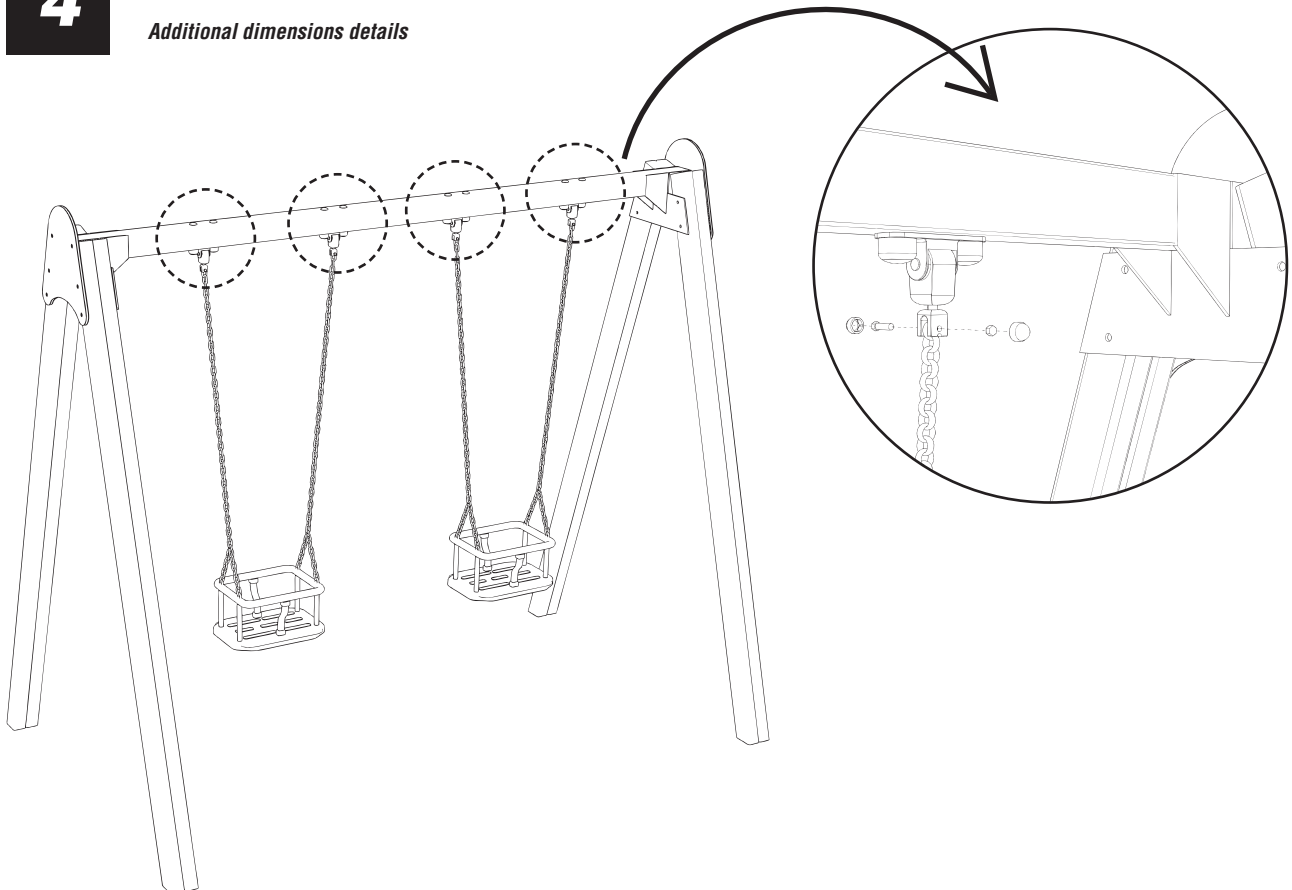
Follow Foundation details



**4**

## Install CRADLE SEATS

Additional dimensions details



# Additional Dimensions

